



US00D527241S

(12) **United States Design Patent**
Davis

(10) **Patent No.:** **US D527,241 S**

(45) **Date of Patent:** **** Aug. 29, 2006**

(54) **UTILITY KNIFE AND HOLSTER**

(75) Inventor: **Raymond E. Davis**, Heath, TX (US)

(73) Assignee: **Dallco Marketing Services, Inc.**,
Dallas, TX (US)

(**) Term: **14 Years**

(21) Appl. No.: **29/238,573**

(22) Filed: **Sep. 16, 2005**

(51) **LOC (8) Cl.** **08-03**

(52) **U.S. Cl.** **D8/99; D3/220**

(58) **Field of Classification Search** D3/220,
D3/228; D8/98, 99; 30/151, 162, 335; 224/232
See application file for complete search history.

(56) **References Cited**

U.S. PATENT DOCUMENTS

D401,832 S	*	12/1998	Keklak et al.	D8/99
6,000,590 A		12/1999	Allen		
D420,270 S	*	2/2000	Martone	D8/99
6,105,838 A		8/2000	Hansen		
D435,419 S	*	12/2000	Schmidt	D8/99
D439,039 S	*	3/2001	Austin	D3/228
D439,492 S	*	3/2001	Martone et al.	D8/99
6,364,182 B1		4/2002	Hansen		
6,382,481 B1		5/2002	McIlmoil		
6,427,374 B1		8/2002	Vaiani		
D492,179 S	*	6/2004	Hernandez et al.	D8/98

6,817,499 B1	11/2004	Martinez
6,889,879 B1	5/2005	Rivera et al.
2003/0042348 A1	3/2003	Salentine et al.
2004/0173650 A1	9/2004	Berns
2005/0072819 A1	4/2005	Maldonado et al.

* cited by examiner

Primary Examiner—Philip S. Hyder

(74) *Attorney, Agent, or Firm*—Dennis T. Griggs

(57) **CLAIM**

The ornamental design for a utility knife and holster, as shown and described.

DESCRIPTION

This application discloses subject matter related to the subject matter disclosed in the following commonly owned, co-pending utility patent application: "Utility Knife and Holster," filed on Sep. 16, 2005, Application No. 11/228, 915, in the name of Raymond E. Davis; which is hereby incorporated by reference for all purposes.

FIG. 1 is a perspective view of a utility knife and holster showing my new design;

FIG. 2 is a right side elevational view thereof;

FIG. 3 is a front elevational view thereof;

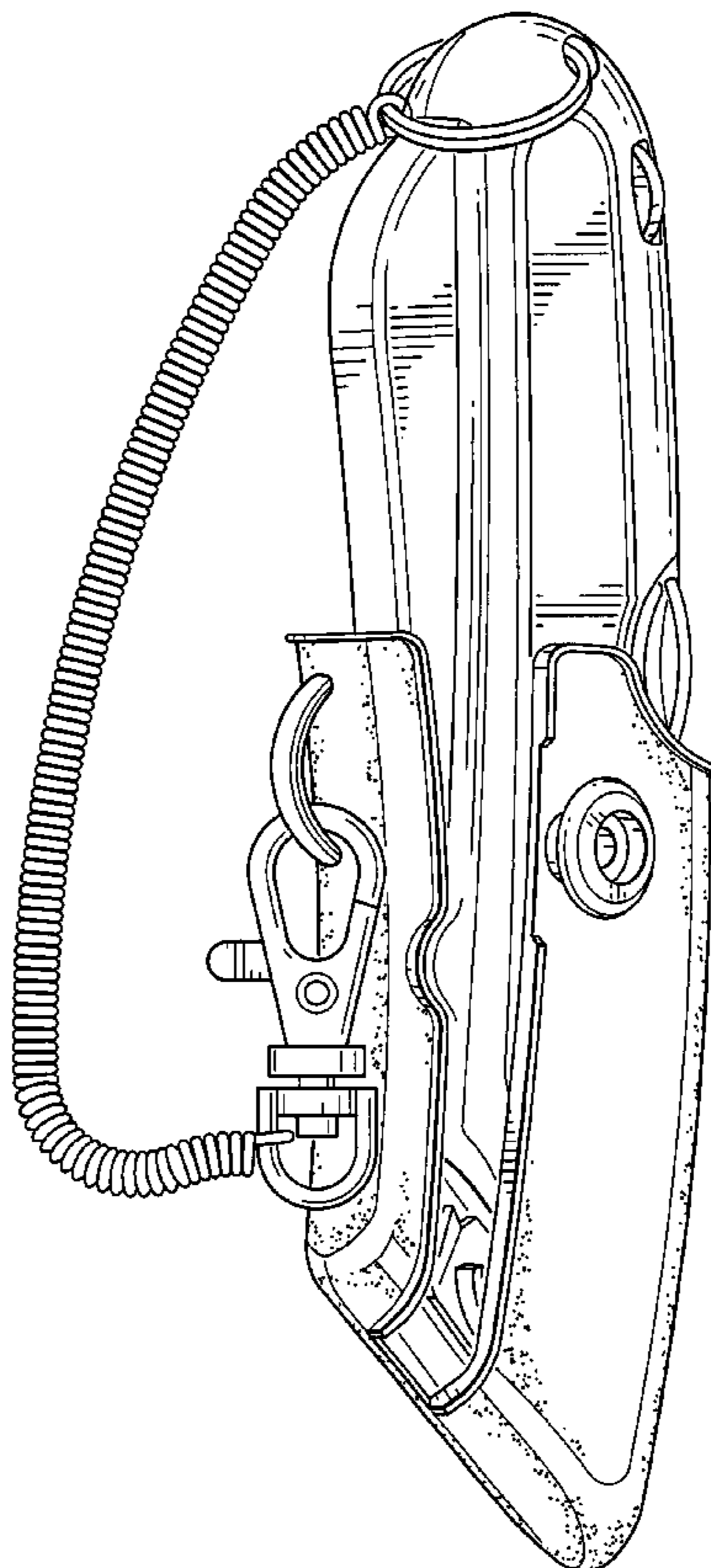
FIG. 4 is rear elevational view thereof;

FIG. 5 is a left side elevational view thereof;

FIG. 6 is a top plan view thereof; and,

FIG. 7 is a bottom plan view thereof.

1 Claim, 4 Drawing Sheets



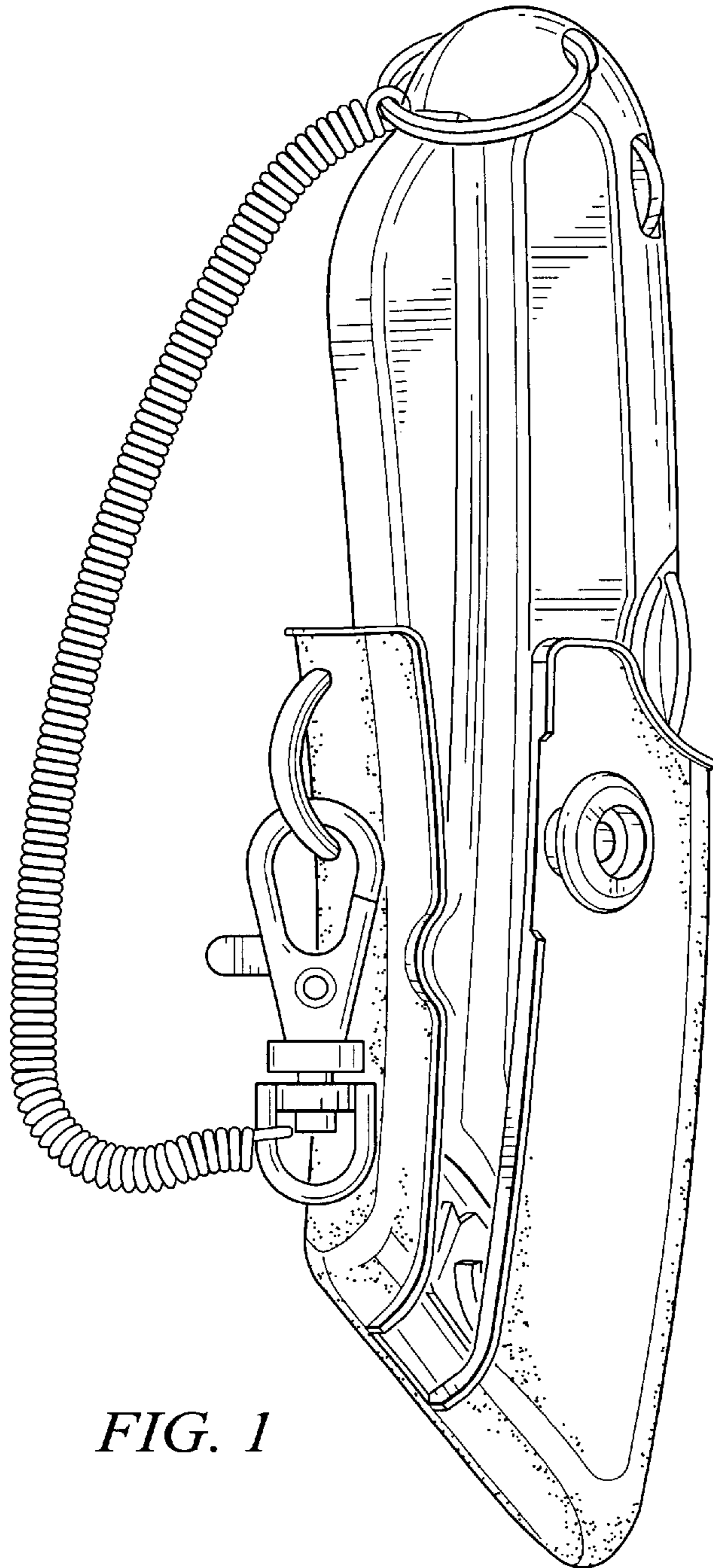


FIG. 1

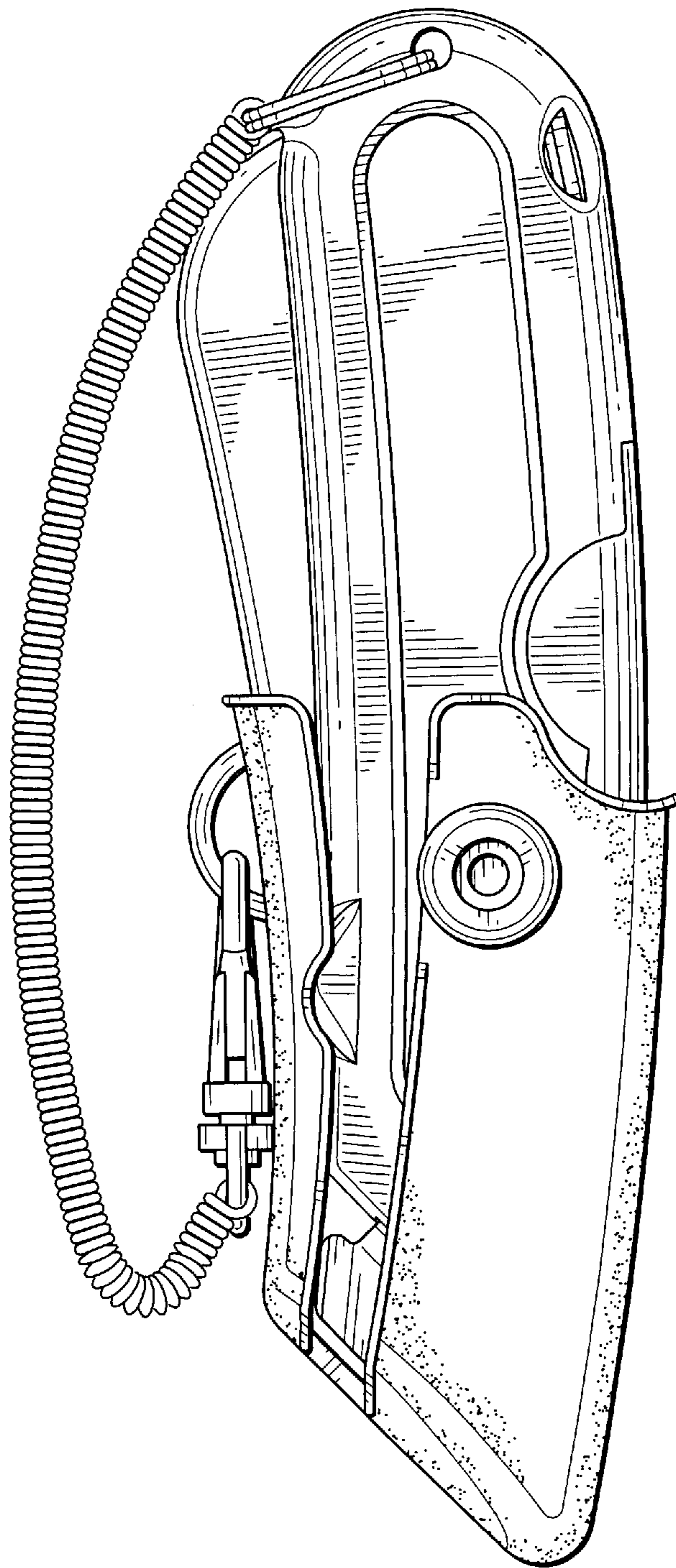


FIG. 2

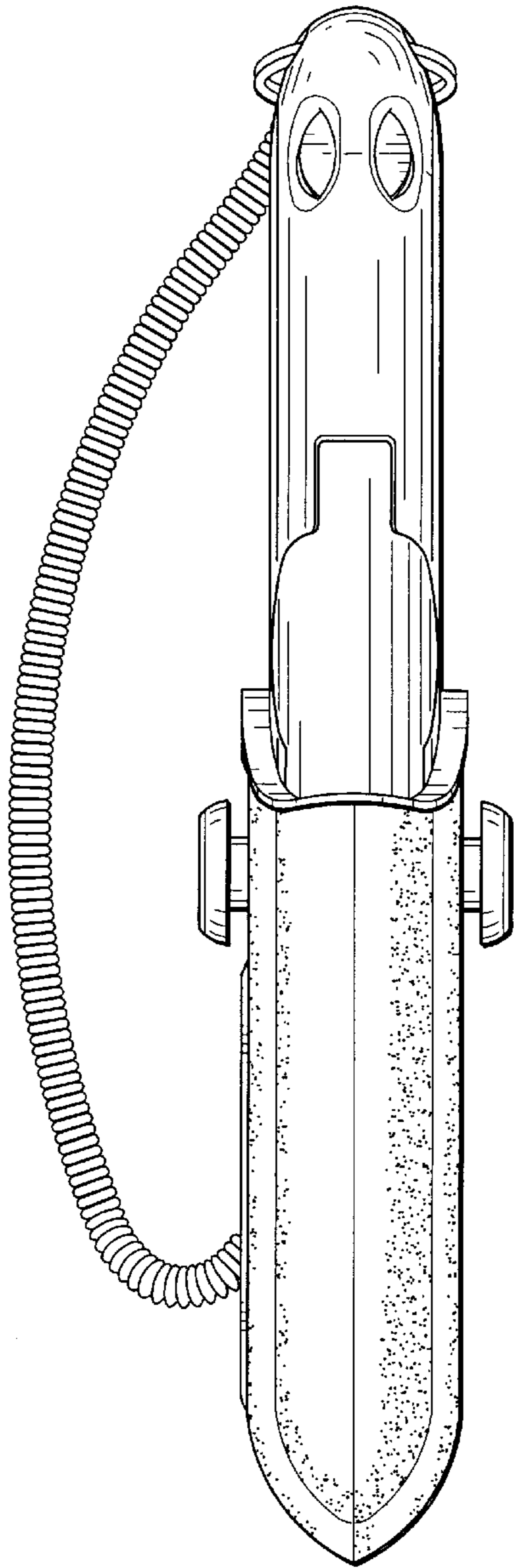


FIG. 3

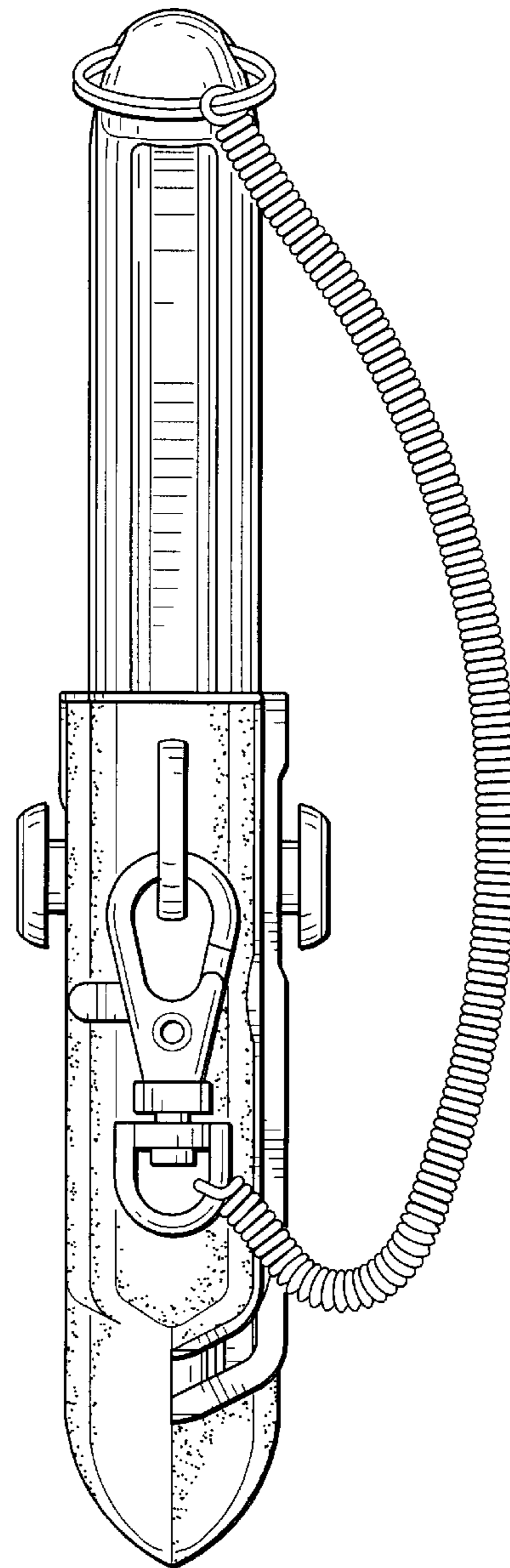


FIG. 4

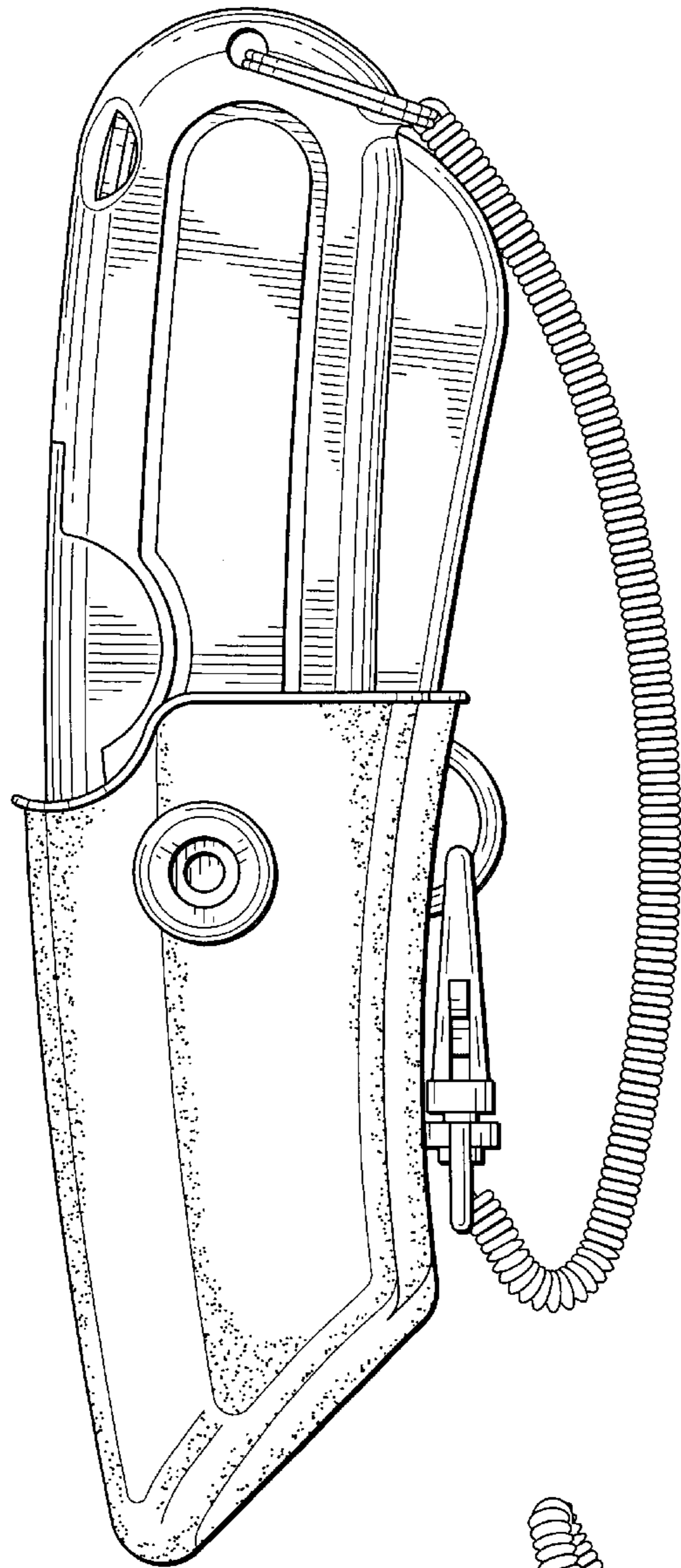


FIG. 5

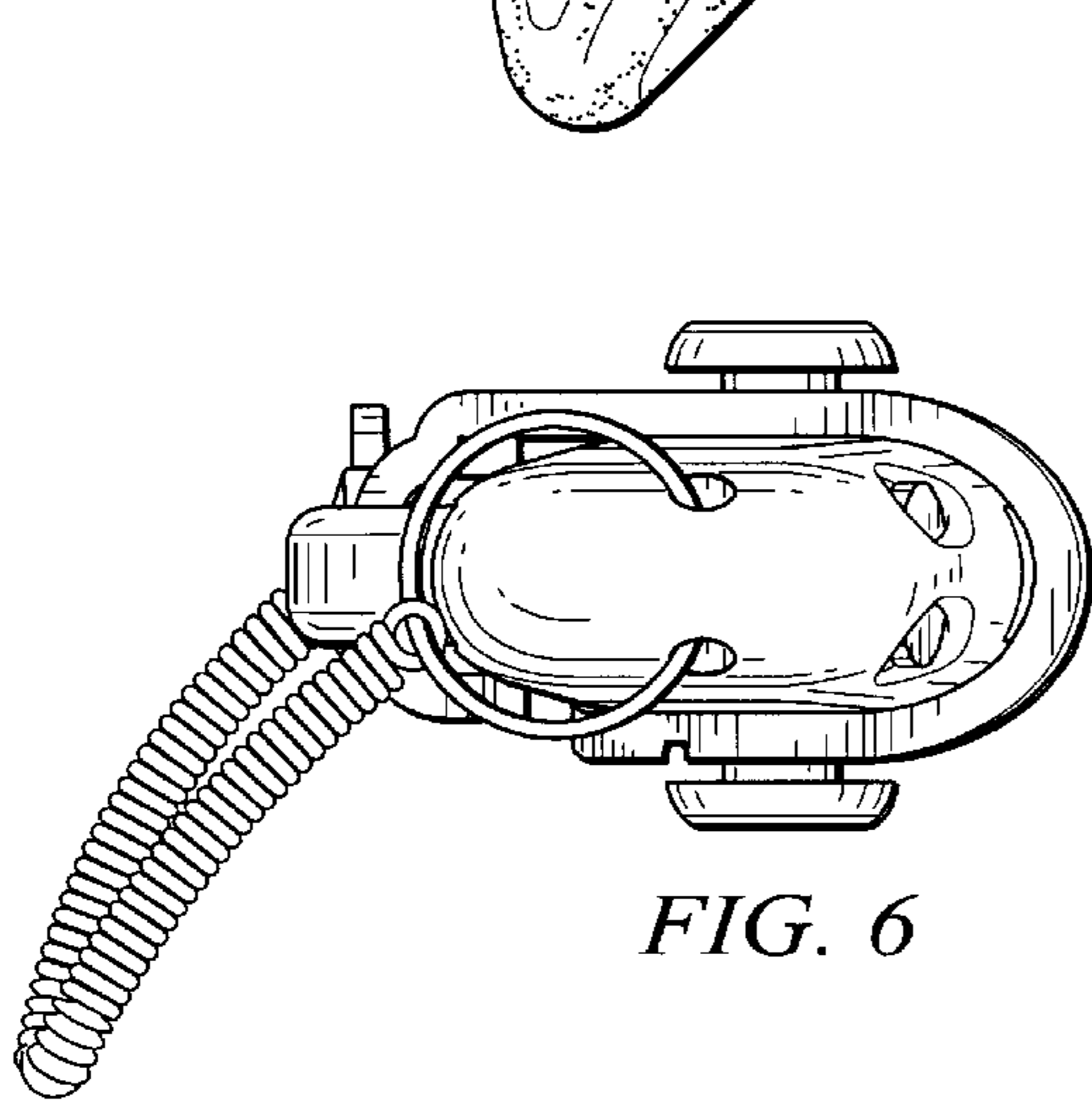


FIG. 6

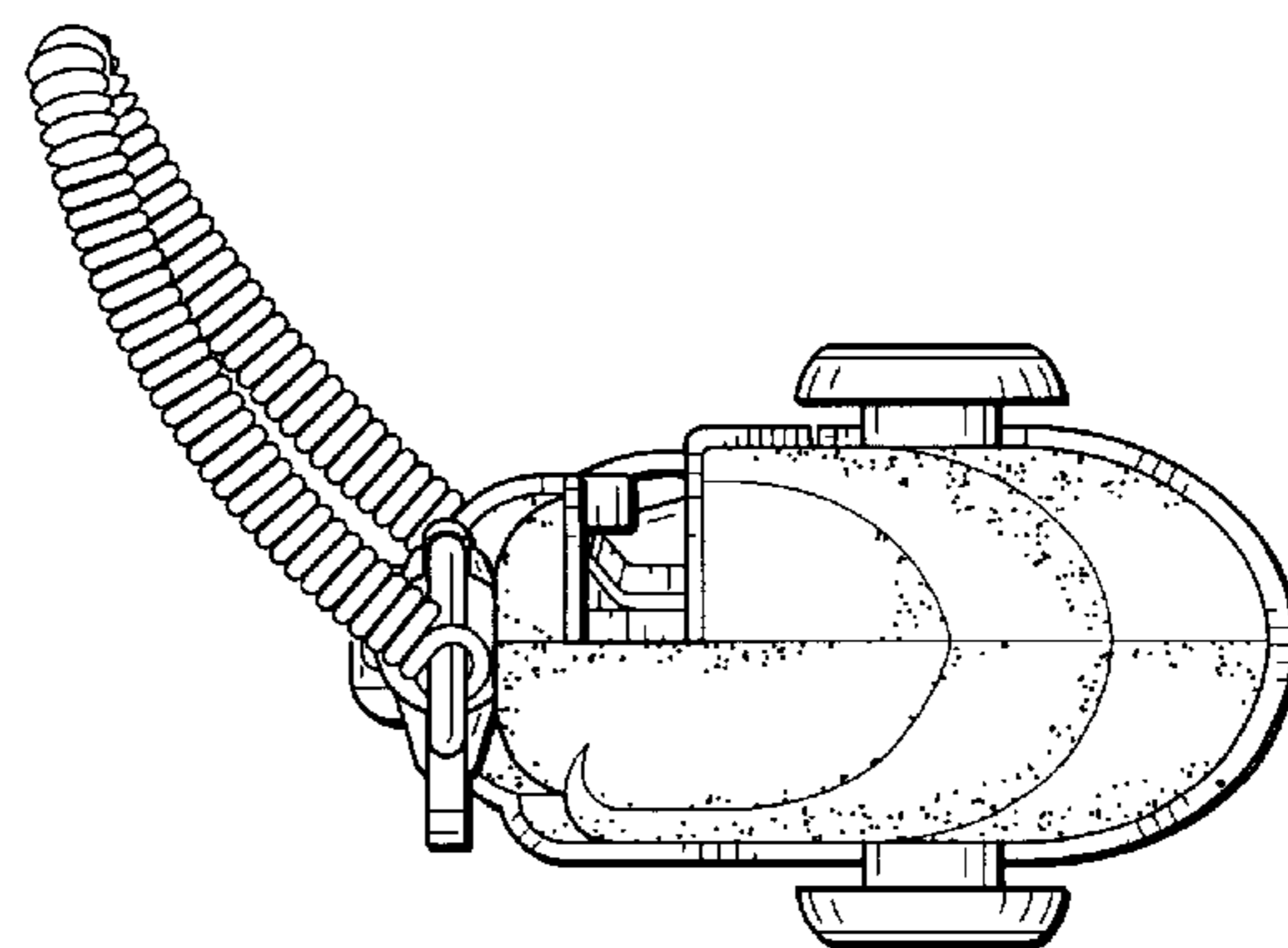


FIG. 7