



US00D527232S

(12) **United States Design Patent** (10) **Patent No.:** **US D527,232 S**
Hsu (45) **Date of Patent:** **** Aug. 29, 2006**

(54) **LUNCH BOX**

(74) *Attorney, Agent, or Firm*—Philip H. Haymond

(75) **Inventor:** **Kent Hsu**, Torrance, CA (US)

(57) **CLAIM**

(73) **Assignee:** **Great Eastern Entertainment Co.**,
Cerritos, CA (US)

The ornamental design for a lunch box, as shown and described.

(**) **Term:** **14 Years**

DESCRIPTION

(21) **Appl. No.:** **29/213,386**

A portion of the disclosure of this patent document contains material which is subject to copyright protection, copyright 2004 Kent Hsu/copyright 2004 Great Eastern Entertainment Co to the extent as a work made for hire. The copyright owner has no objection to the facsimile reproduction by anyone of the patent document or the patent disclosure, as it appears in the Patent and Trademark Office patent file or records, but otherwise reserves all copyright rights whatsoever.

(22) **Filed:** **Sep. 15, 2004**

(51) **LOC (8) Cl.** **03-01**

(52) **U.S. Cl.** **D7/709**

(58) **Field of Classification Search** D7/709,
D7/710, 620; D3/273, 274, 276, 294, 201,
D3/202; 206/541–545; 215/382–388

See application file for complete search history.

FIG. 1 is a front perspective view of a design for a lunch box.
FIG. 2 is a right side view thereof.
FIG. 3 is a left side view thereof.
FIG. 4 is a top view thereof.
FIG. 5 is a bottom view thereof.
FIG. 6 is a rear view thereof; and,
FIG. 7 is a front view thereof.

(56) **References Cited**

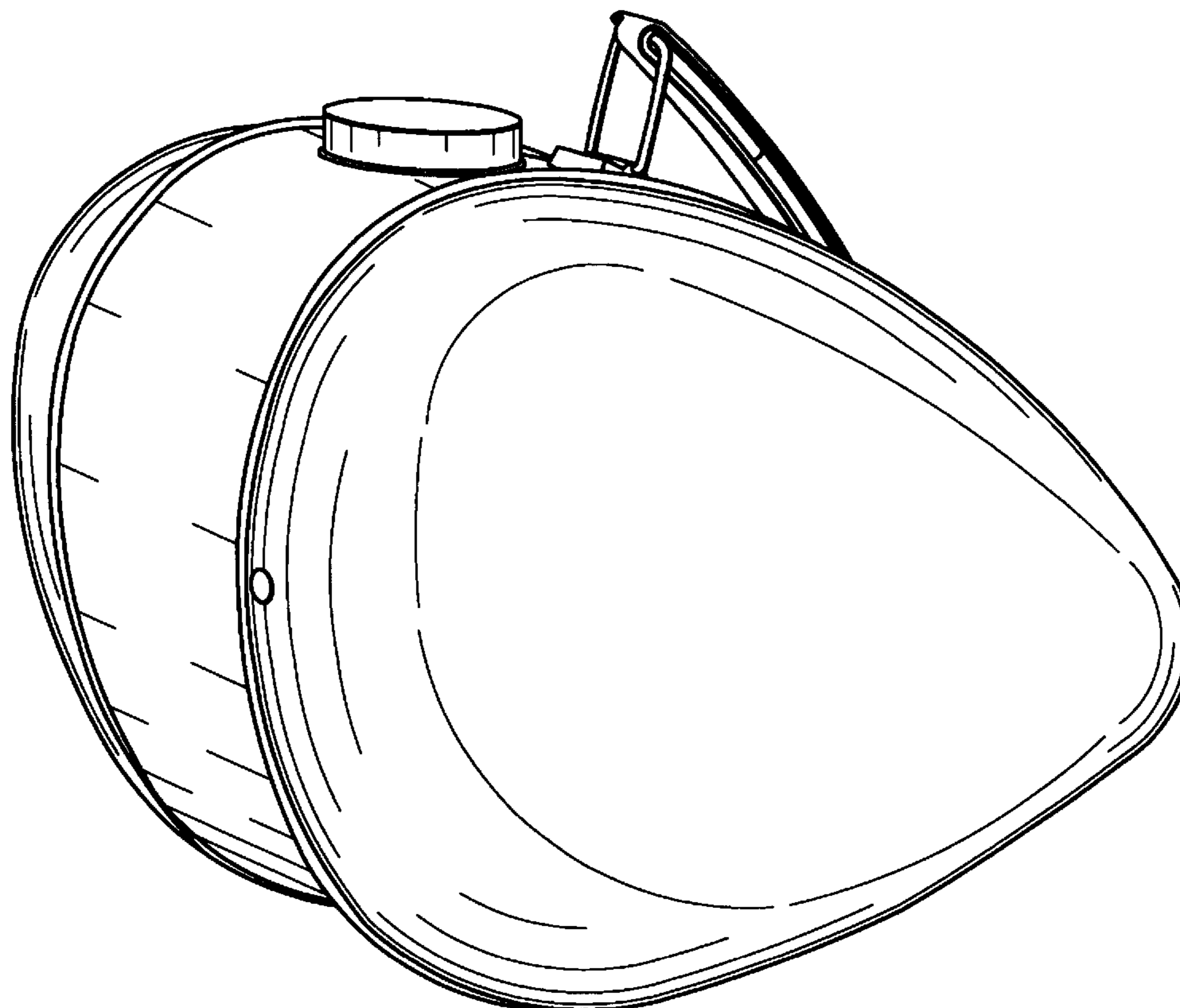
U.S. PATENT DOCUMENTS

D390,006 S * 2/1998 Pericleous D3/276

* cited by examiner

Primary Examiner—Terry A. Wallace

1 Claim, 6 Drawing Sheets



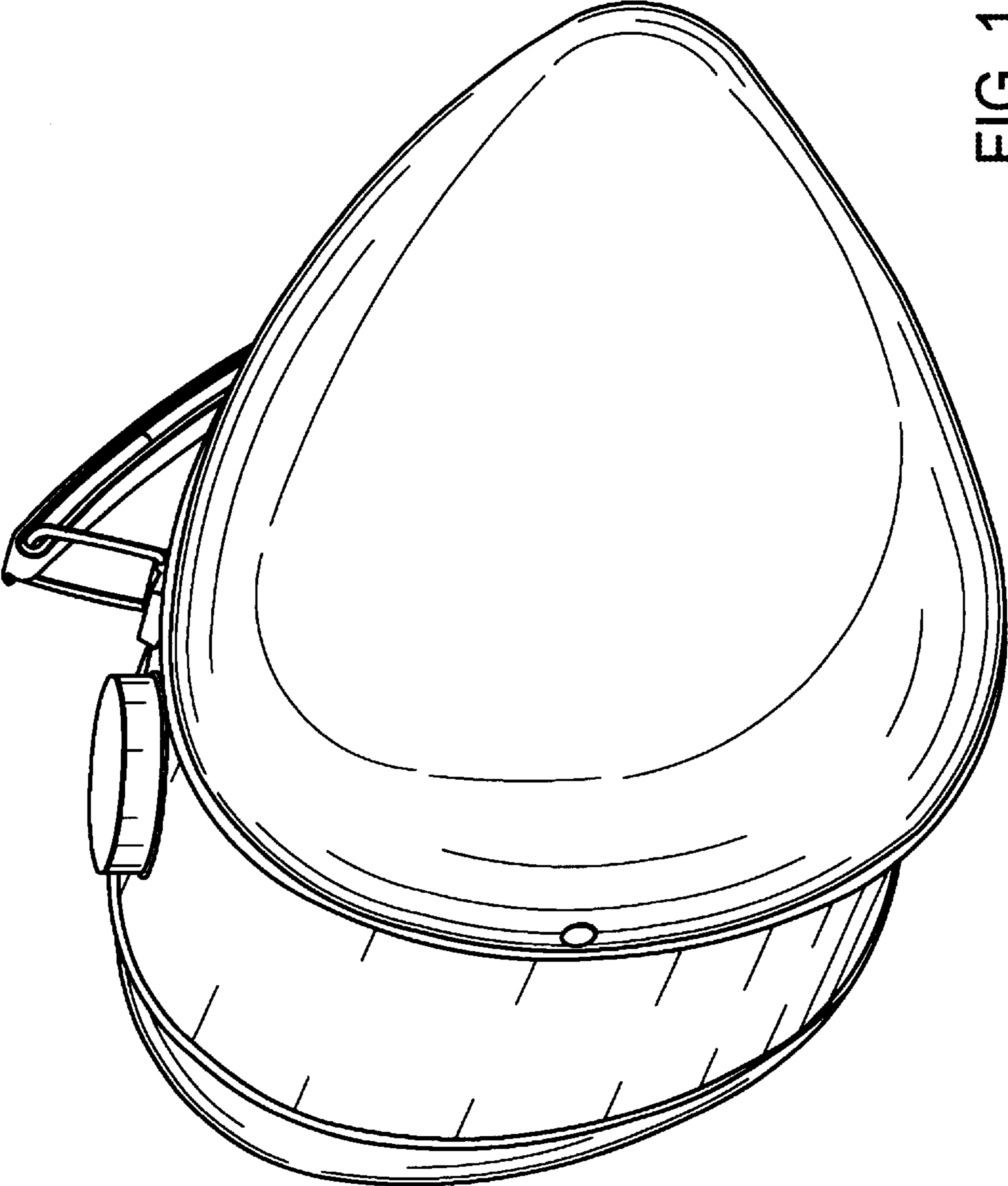


FIG. 1

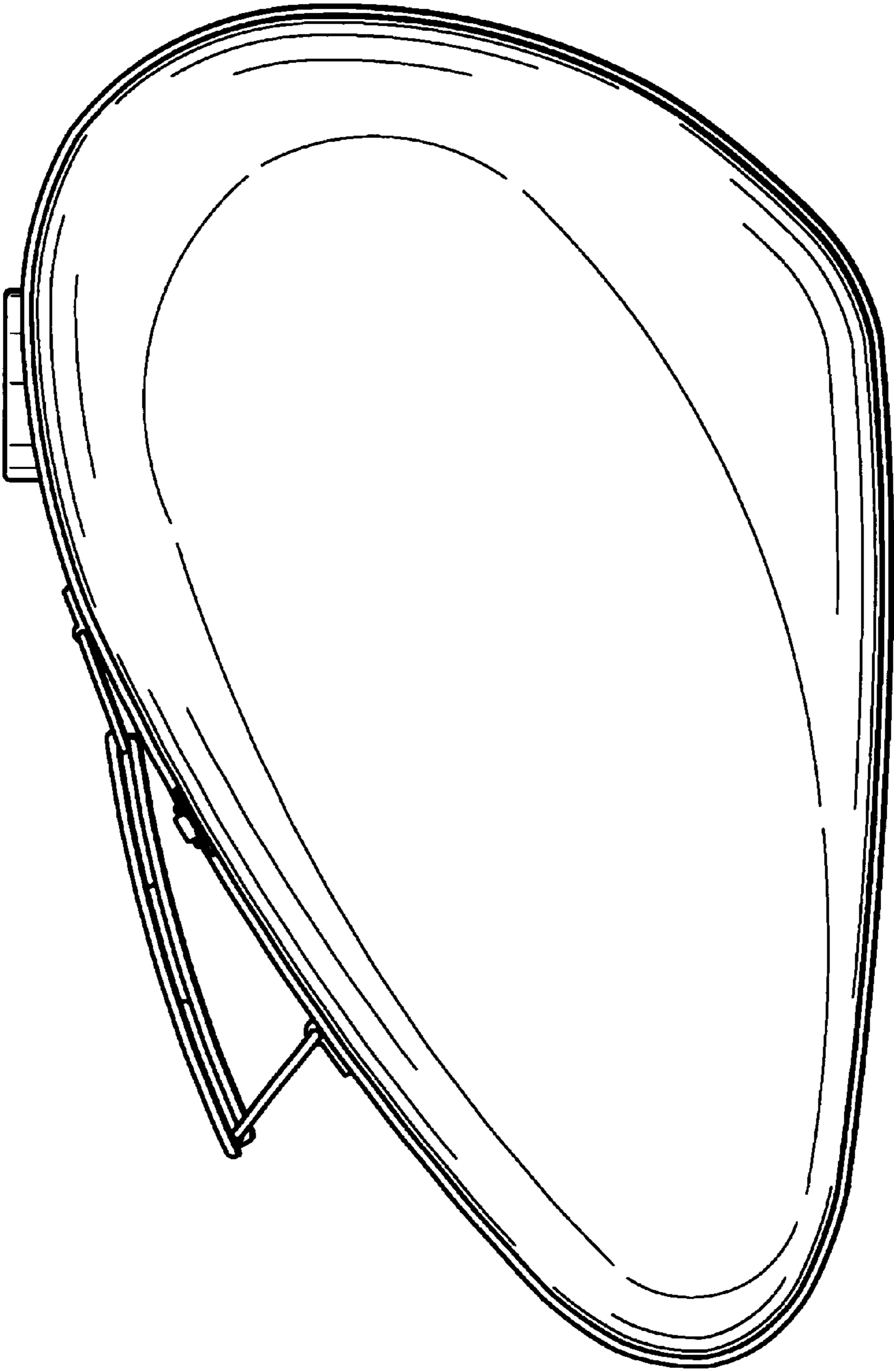


FIG. 2

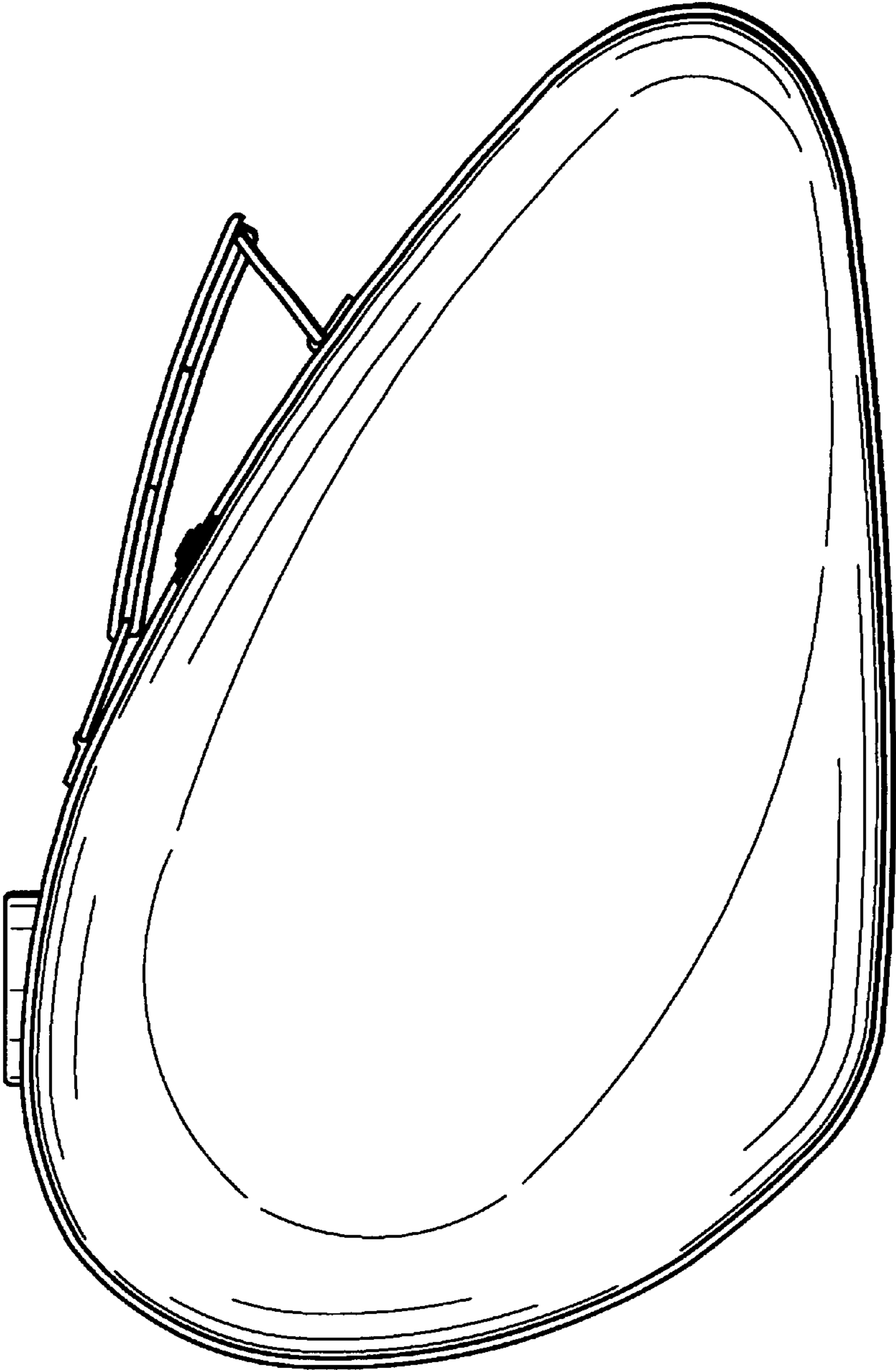


FIG. 3

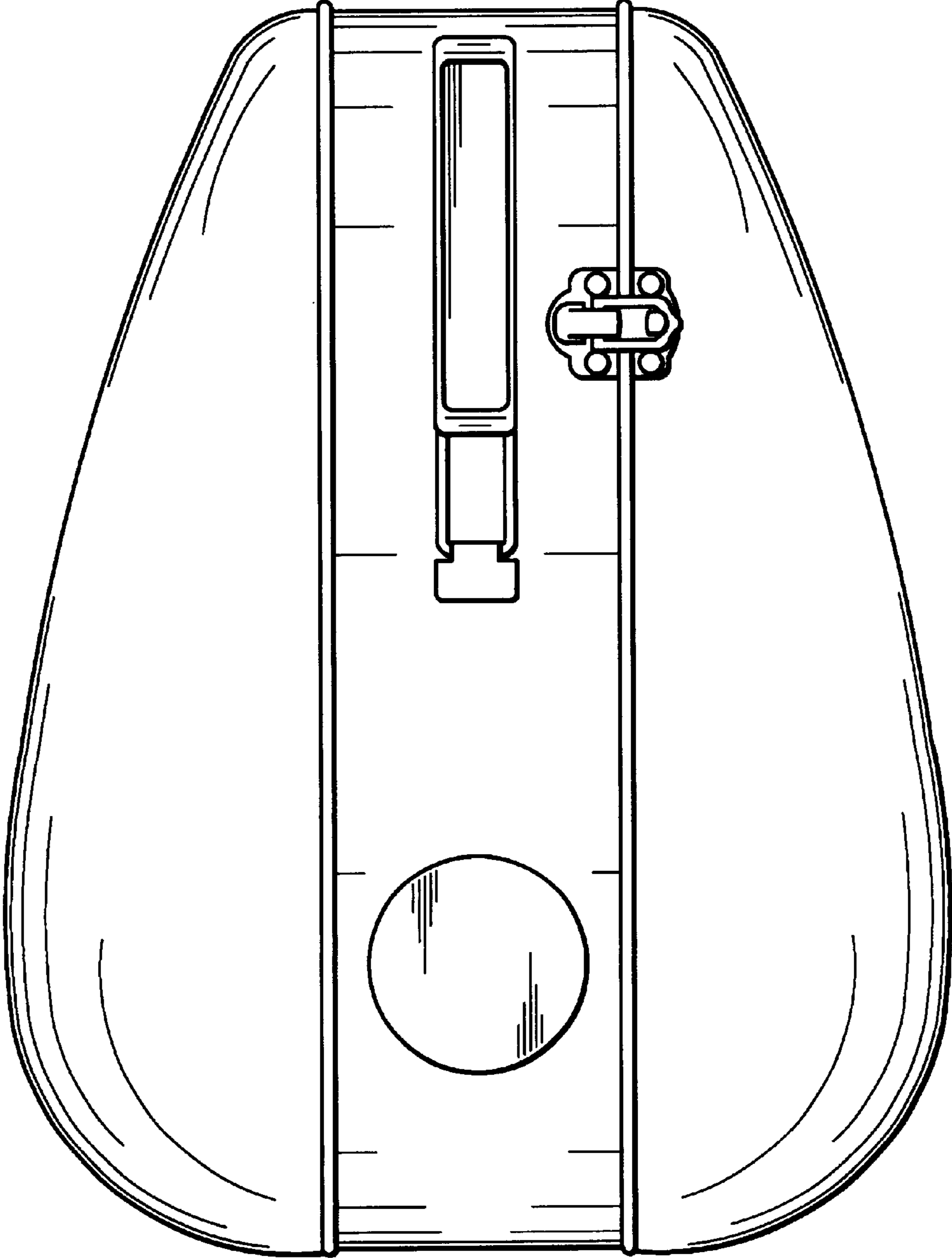


FIG. 4

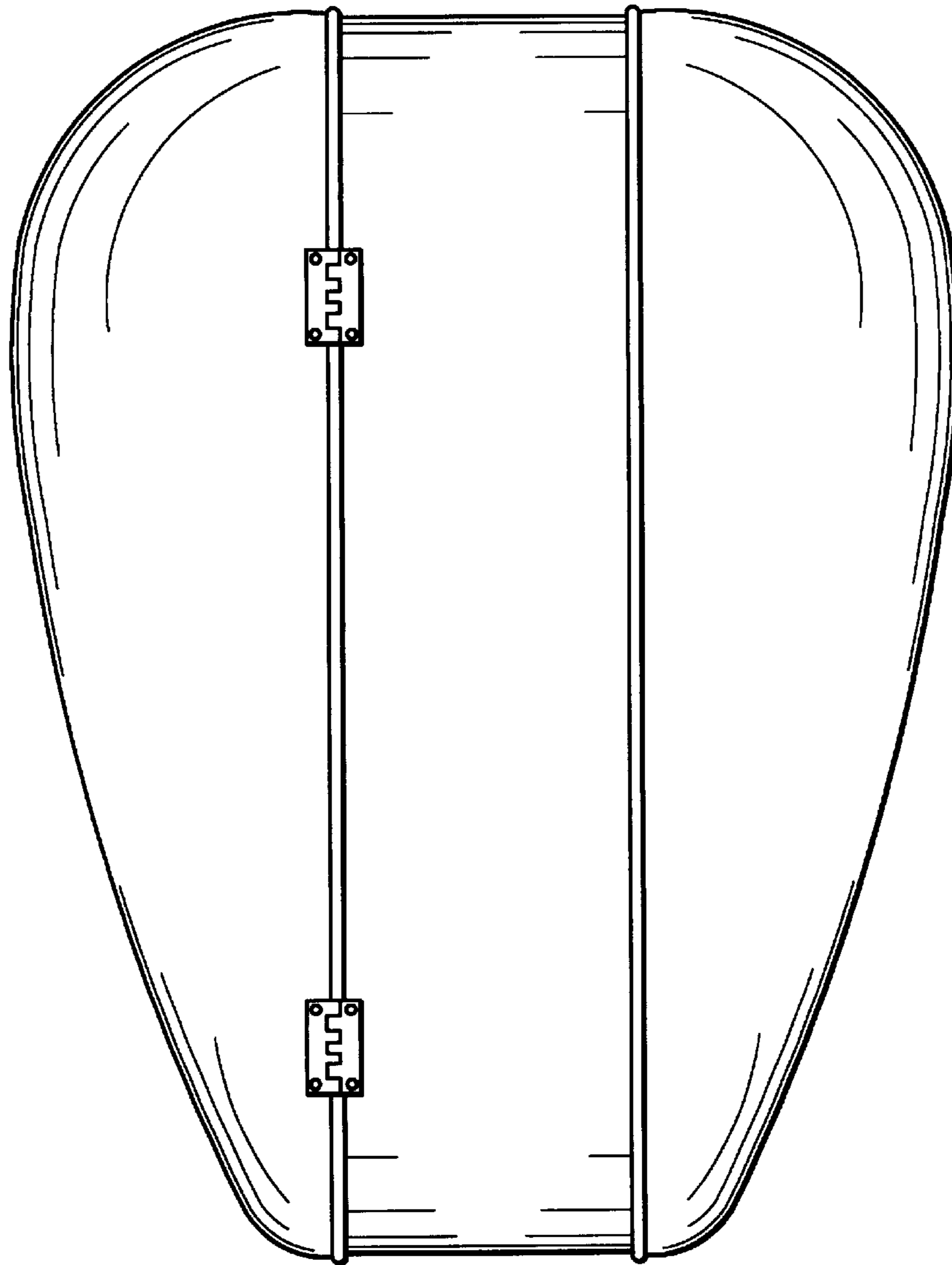


FIG. 5

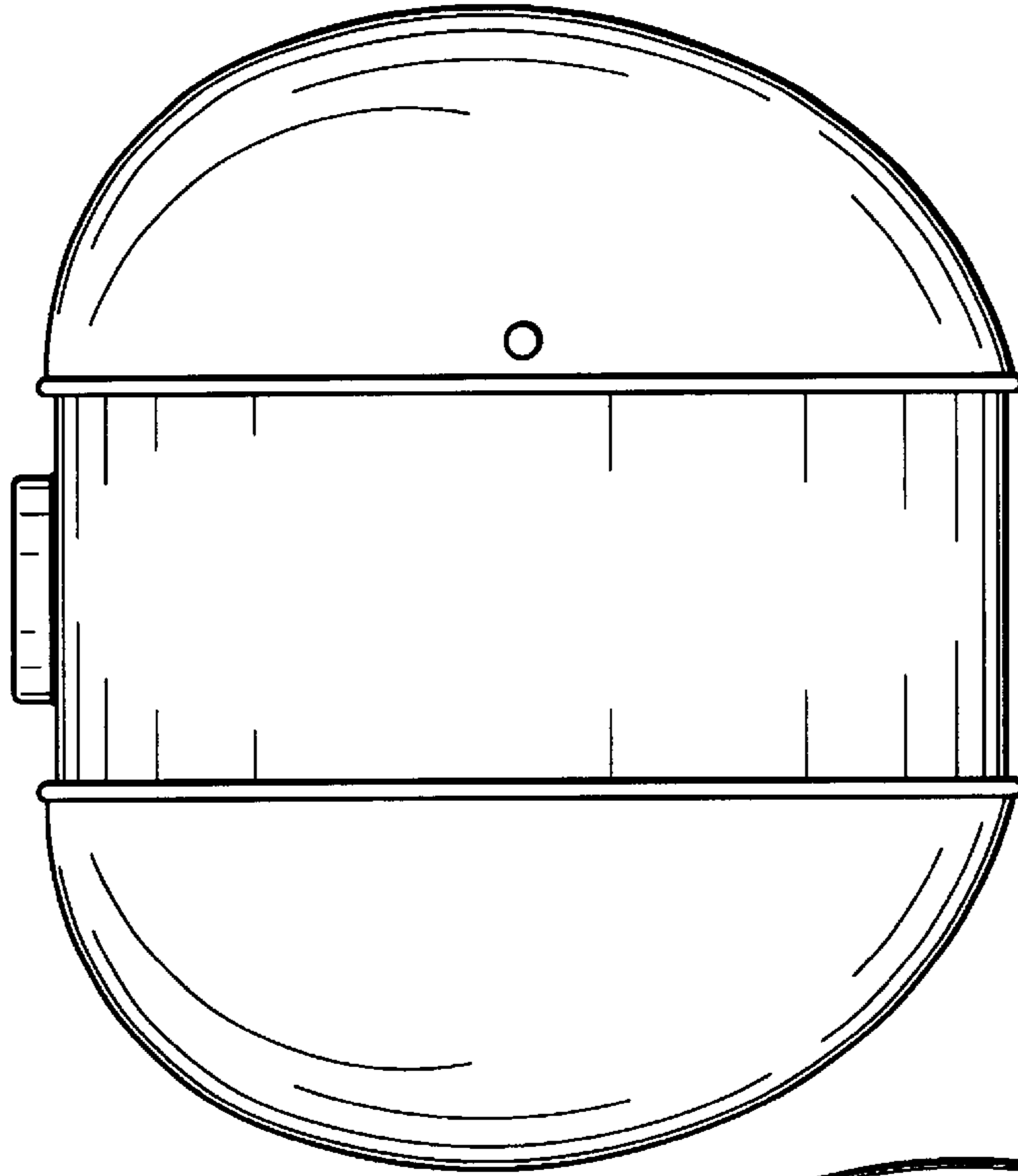


FIG. 7

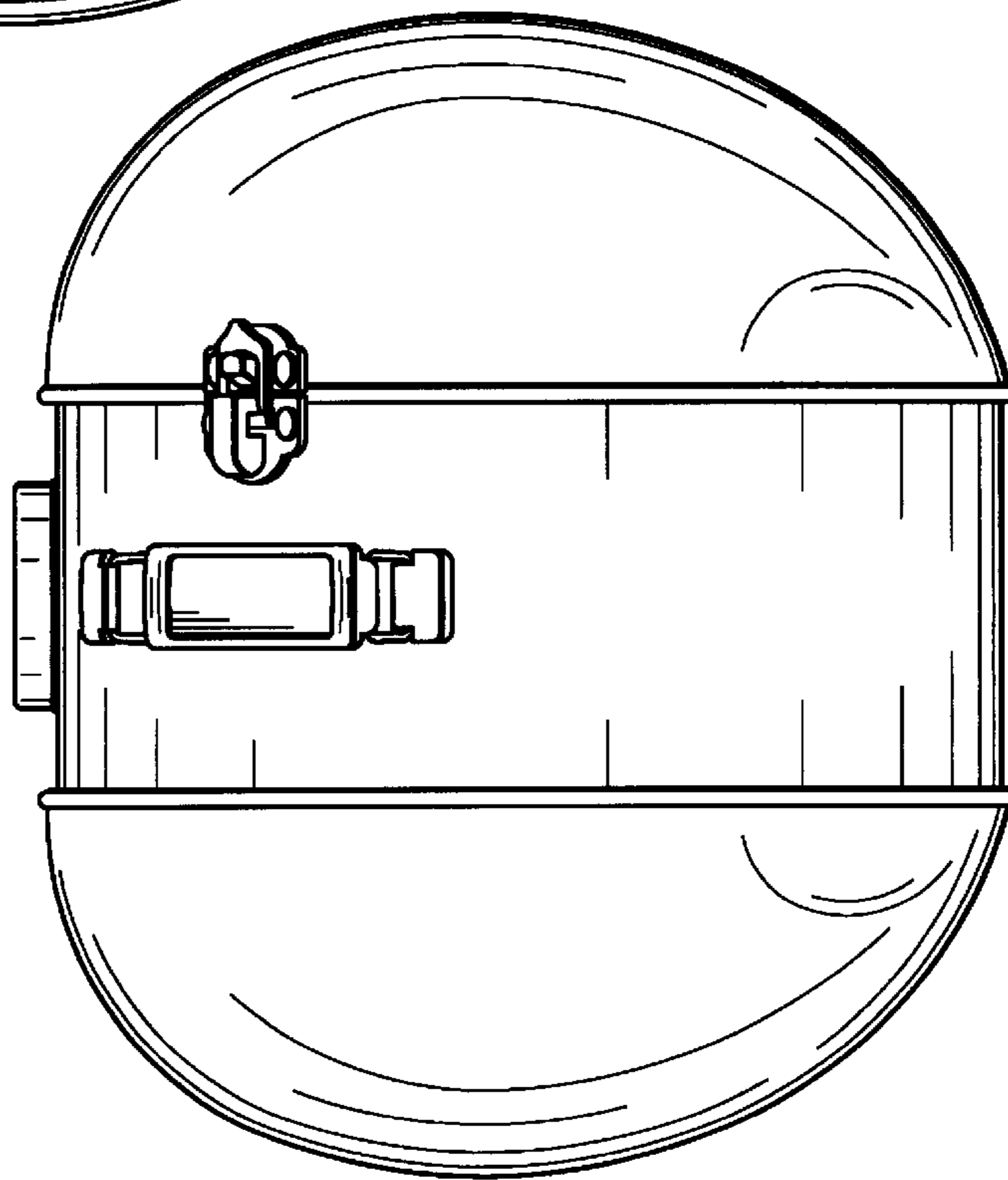


FIG. 6