

US00D527231S

(12) **United States Design Patent**  
**Perotti et al.**

(10) **Patent No.:** **US D527,231 S**

(45) **Date of Patent:** **\*\* Aug. 29, 2006**

(54) **BEVERAGE VESSEL HOLDER**

*Primary Examiner*—Terry A. Wallace

(75) Inventors: **Robert Perotti**, St. Louis County, MO (US); **Ronald Cipolla**, St. Louis County, MO (US)

(74) *Attorney, Agent, or Firm*—Lewis, Rice & Fingersh, L.C.

(73) Assignee: **Beverage Ventures, Inc.**, Wildwood, MO (US)

(57) **CLAIM**

(\*\*) **Term:** **14 Years**

The ornamental design for a beverage vessel holder, as shown and described.

(21) Appl. No.: **29/233,952**

**DESCRIPTION**

(22) Filed: **Jul. 11, 2005**

(51) **LOC (8) Cl.** ..... **07-06**

(52) **U.S. Cl.** ..... **D7/707**

(58) **Field of Classification Search** ..... D7/619.1–625, D7/701, 707, 708; D6/417; 211/74, 71.01; 248/146, 153, 156, 310, 311.2, 508, 530, 248/545

FIG. 1 provides a perspective view of the beverage vessel holder.

FIG. 2 provides a rear view of the beverage vessel holder.

FIG. 3 provides a front view of the beverage vessel holder.

FIG. 4 provides a left side view of the beverage vessel holder.

FIG. 5 provides a right side view of the beverage vessel holder.

See application file for complete search history.

FIG. 6 provides a top view of the beverage vessel holder.

FIG. 7 provides a bottom view of the beverage vessel holder; and,

FIG. 8 provides a perspective view of the beverage vessel holder with two environmental beverage cans in insulating sleeves in place.

The broken lines showing the beverage cans and beverage can sleeves are only for illustrative purposes to show the environment of the invention and form no part of the invention.

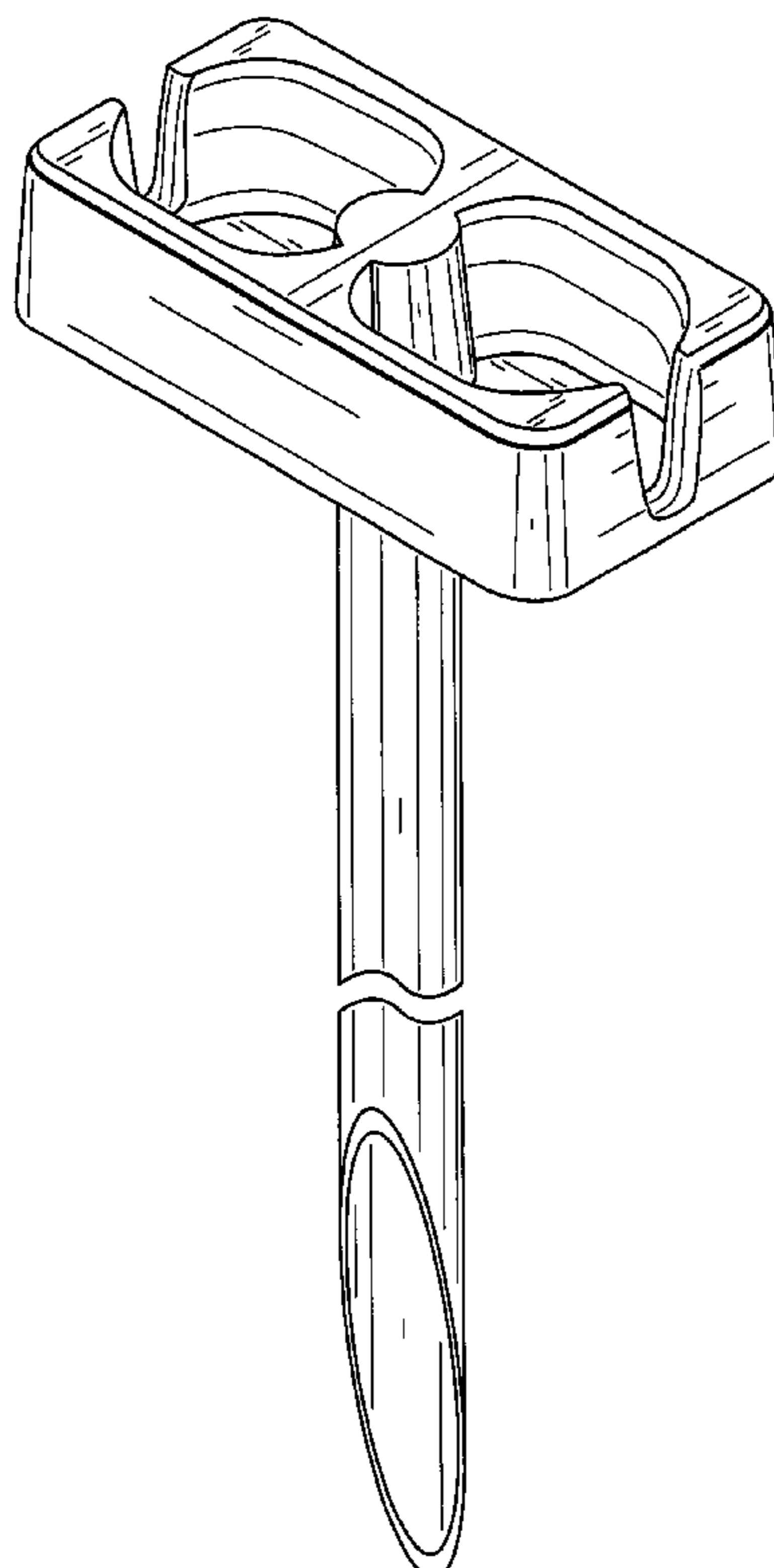
(56) **References Cited**

**U.S. PATENT DOCUMENTS**

4,334,661	A	*	6/1982	Pitt	.....	248/146
D325,678	S	*	4/1992	Niles	.....	D6/417
5,294,083	A	*	3/1994	Roth	.....	248/146
D366,600	S	*	1/1996	Laskowski et al.	.....	D7/620
5,570,952	A	*	11/1996	Protz, Jr.	.....	248/156
D396,383	S	*	7/1998	Hanson	.....	D7/620
D417,763	S	*	12/1999	Monem	.....	D7/620

\* cited by examiner

**1 Claim, 8 Drawing Sheets**



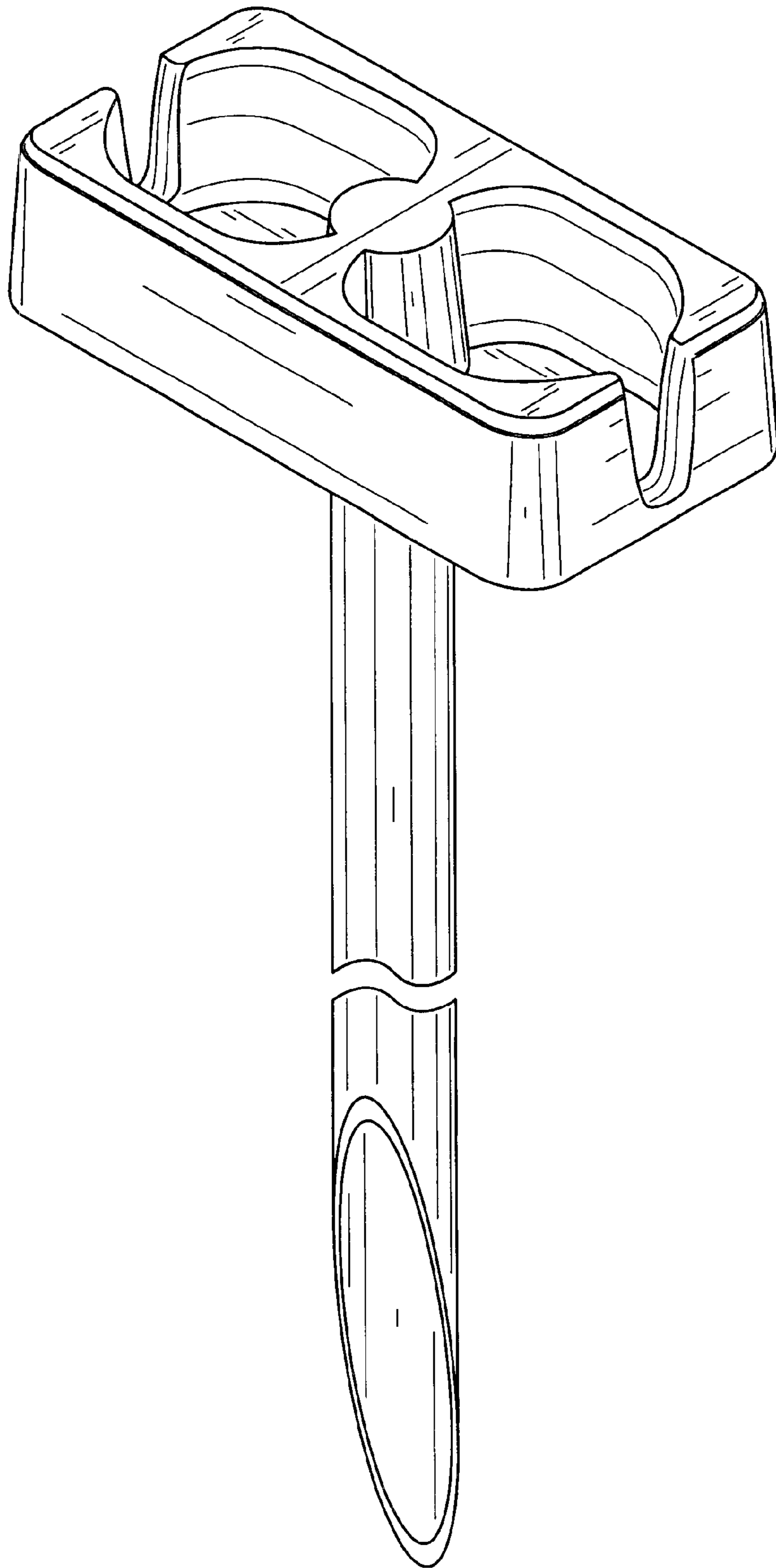


FIG. 1

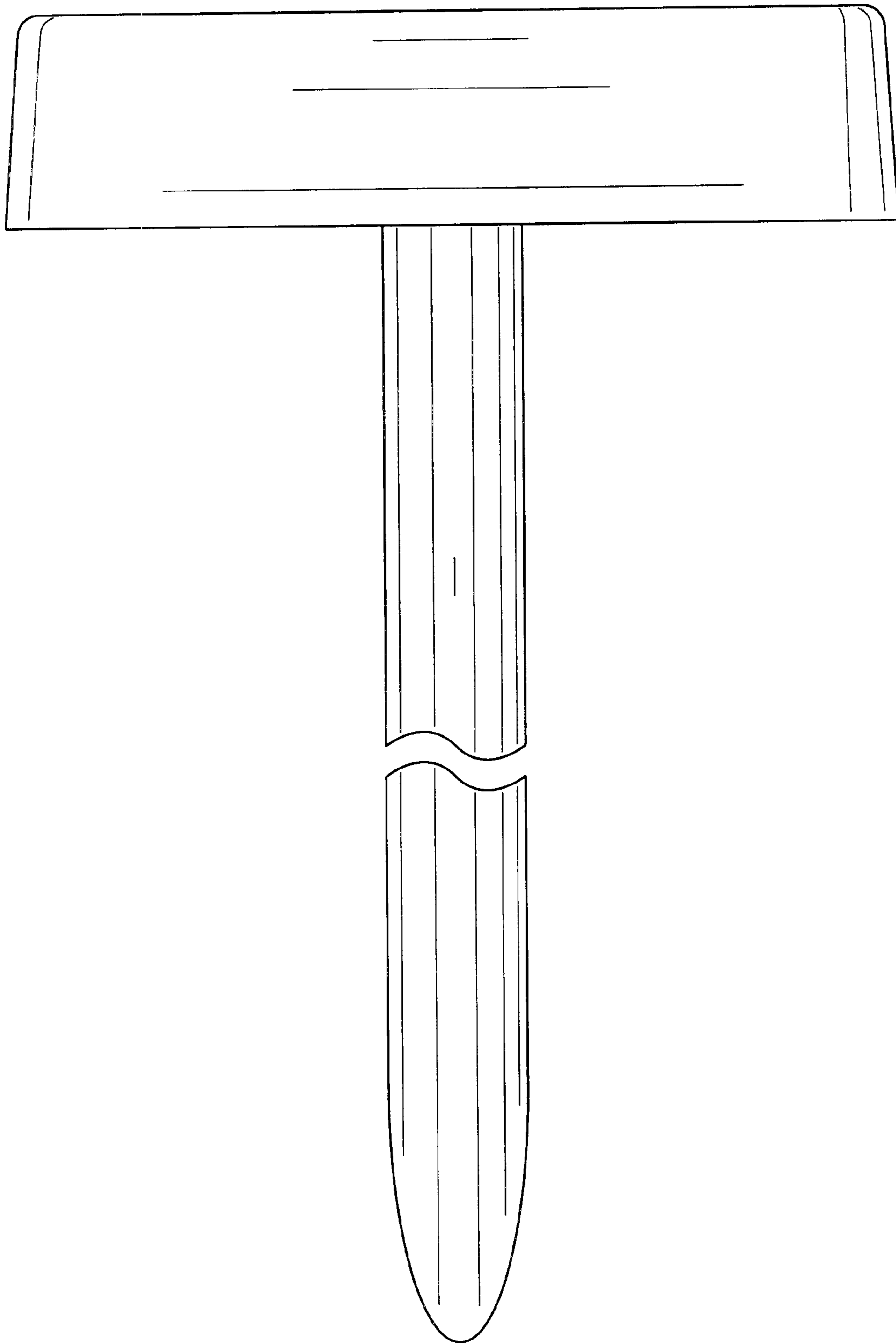


FIG. 2

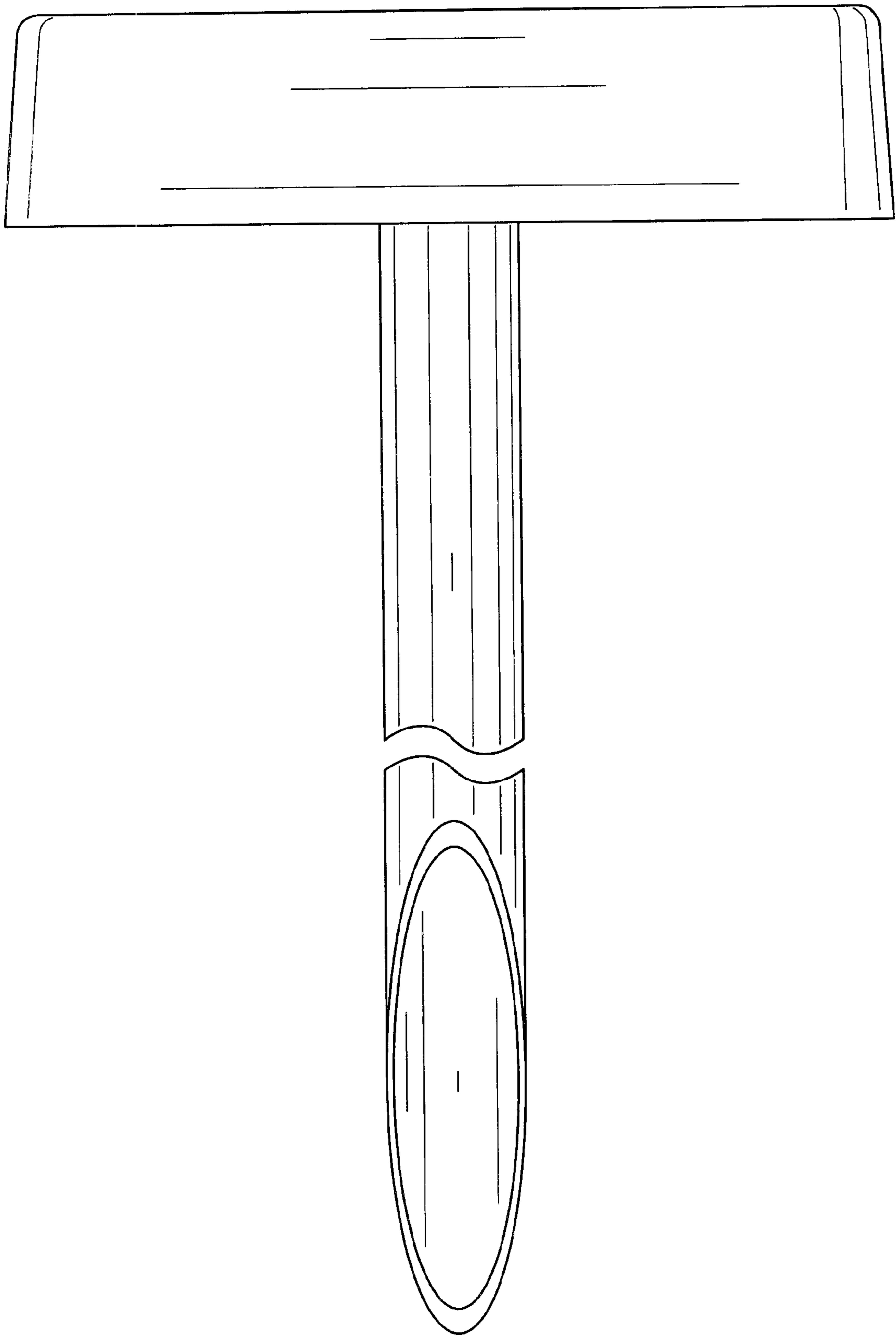


FIG. 3

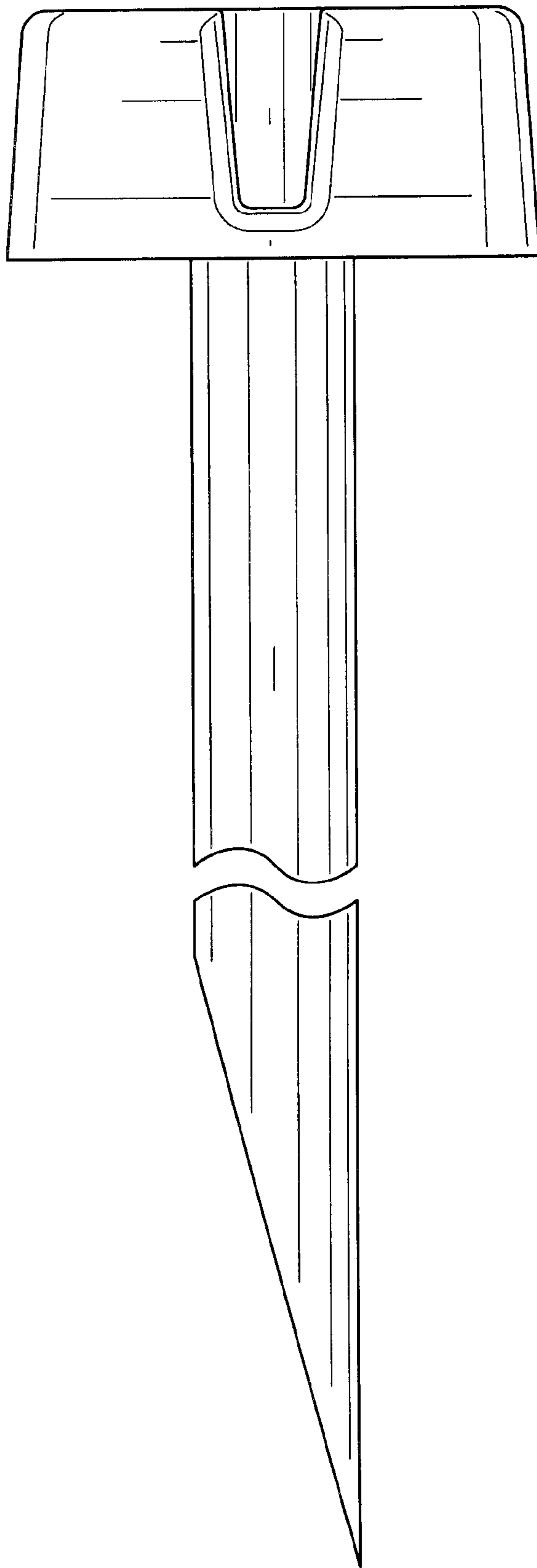


FIG. 4

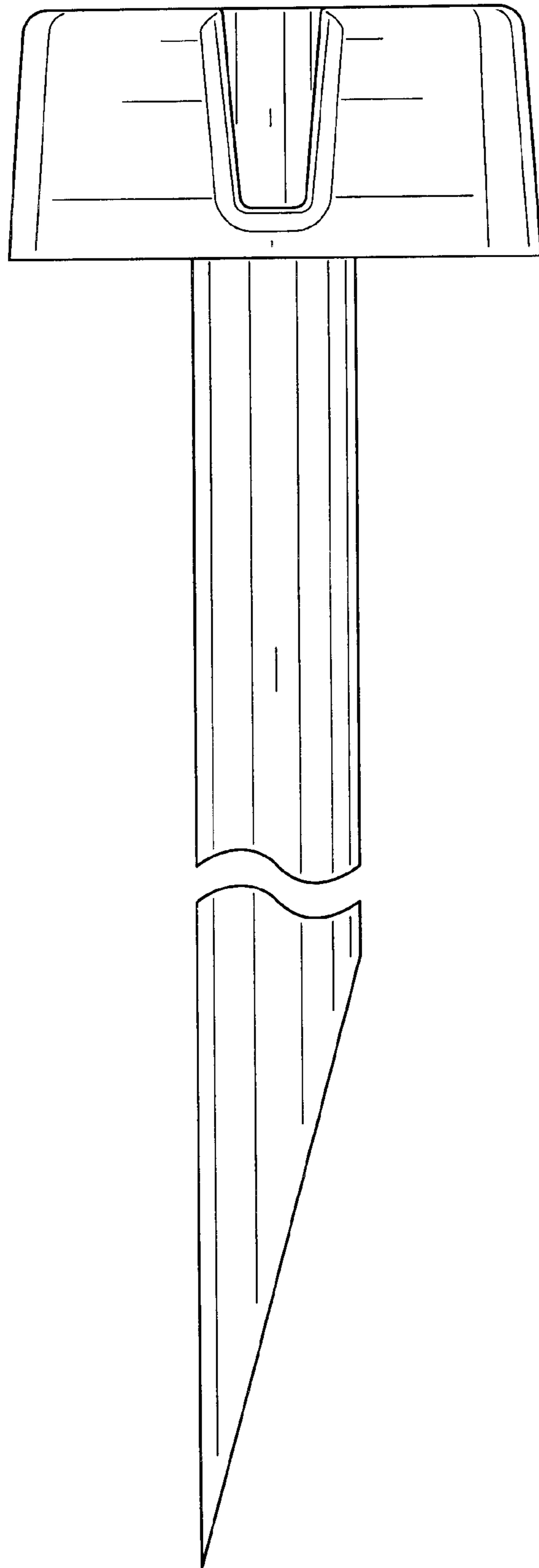


FIG. 5

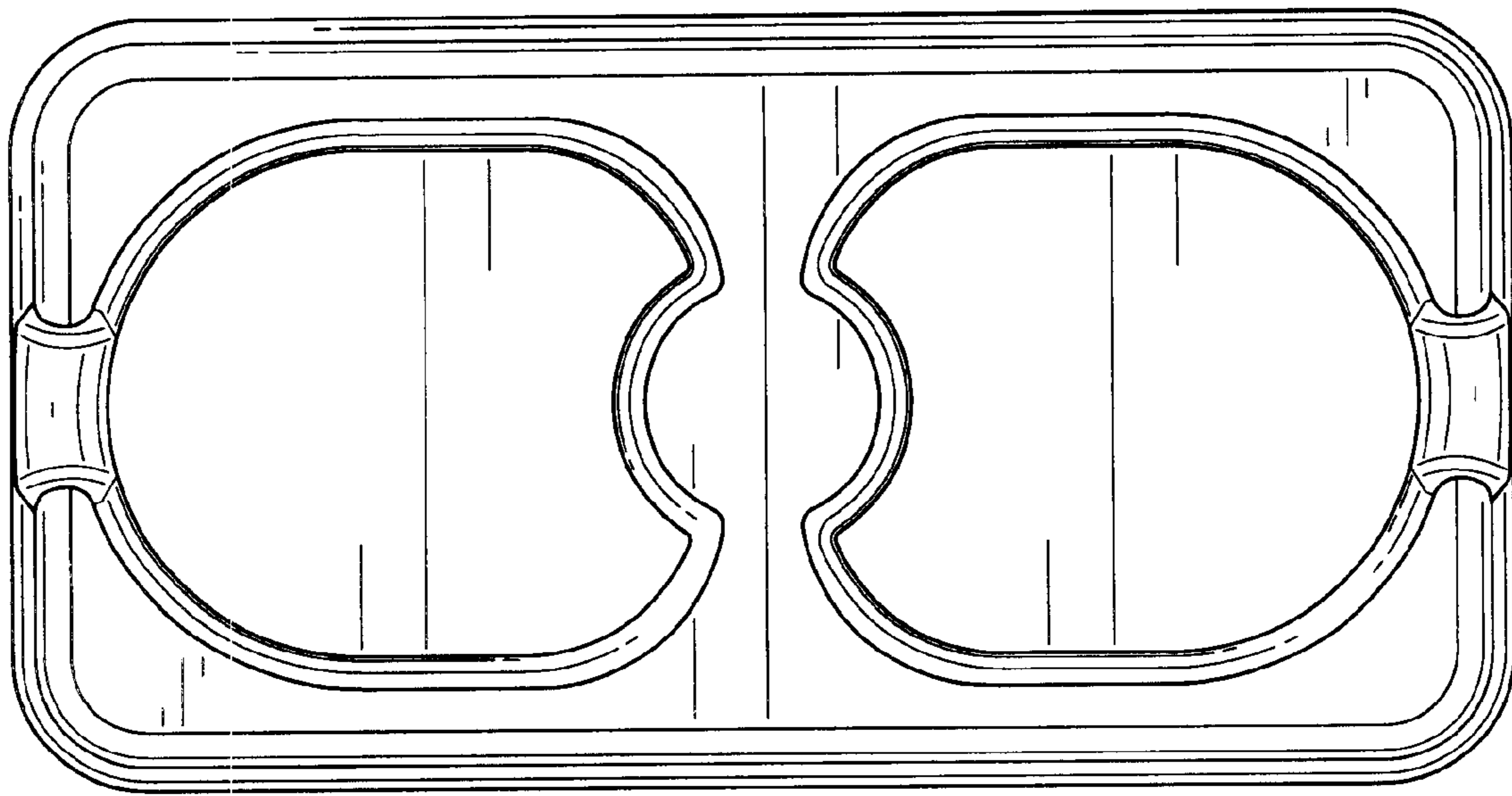


FIG. 6

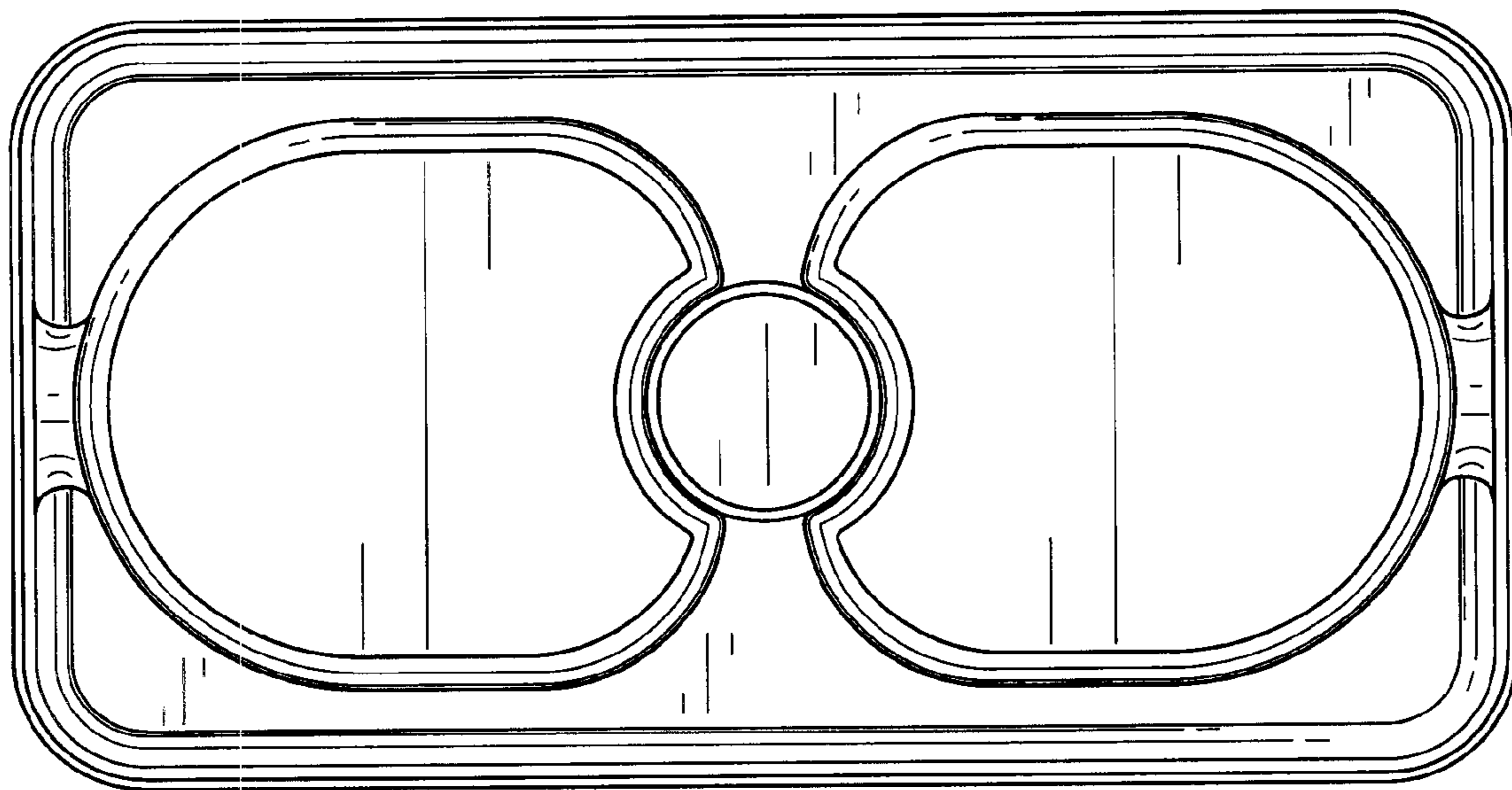


FIG. 7



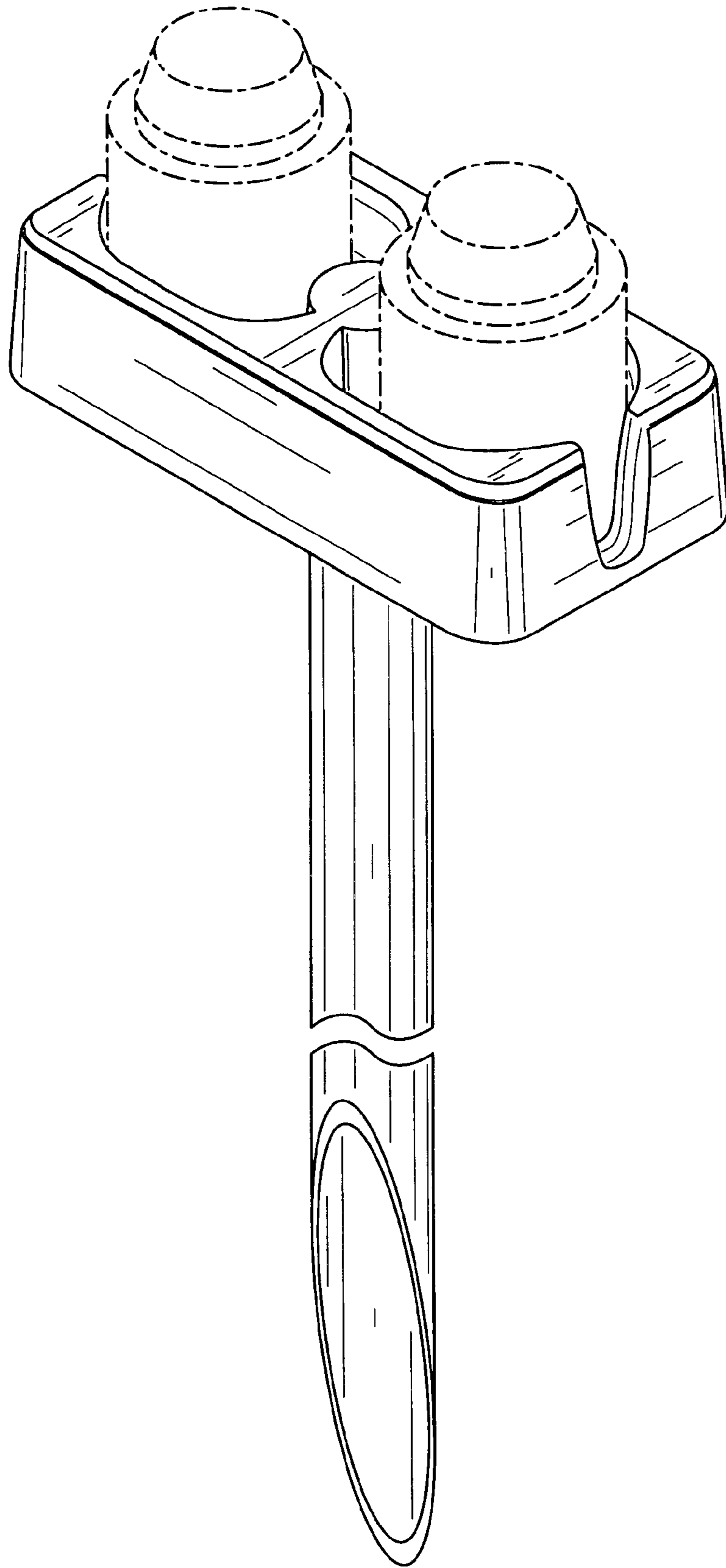


FIG. 8