



US00D527229S

(12) **United States Design Patent**  
**Joy**

(10) **Patent No.:** **US D527,229 S**

(45) **Date of Patent:** **\*\* Aug. 29, 2006**

(54) **LARGE CUTLERY TRAY**

6,467,622 B1 \* 10/2002 Hull ..... 206/553

(75) Inventor: **Devee Joy**, 676 Maple Park Dr.,  
Mendota Heights, MN (US) 55108

\* cited by examiner

(73) Assignee: **Devee Joy**, Mendota Heights, MN (US)

*Primary Examiner*—Terry A. Wallace

(\*\*) Term: **14 Years**

(74) *Attorney, Agent, or Firm*—Daniel M. Pauly; Kate DeVries Smith; Mark Deffner

(21) Appl. No.: **29/234,010**

(57) **CLAIM**

(22) Filed: **Jul. 11, 2005**

The ornamental design for a large cutlery tray, as shown and described.

(51) **LOC (8) Cl.** ..... **07-06**

(52) **U.S. Cl.** ..... **D7/637**

(58) **Field of Classification Search** ..... D7/637–641,  
D7/550.1, 553.1, 553.2; D3/304, 313, 314;  
D19/75, 77, 81–83, 86, 92; 220/23.83; 206/553,  
206/557, 562, 564; 211/60.1, 70.1, 70.6,  
211/70.7

See application file for complete search history.

**DESCRIPTION**

FIG. 1 is a top perspective view of a large cutlery tray.

FIG. 2 is a top plan view of a large cutlery tray.

FIG. 3 is a bottom plan view of a large cutlery tray.

FIG. 4 is a right elevational view of a large cutlery tray.

FIG. 5 is a back elevational view of a large cutlery tray; and,

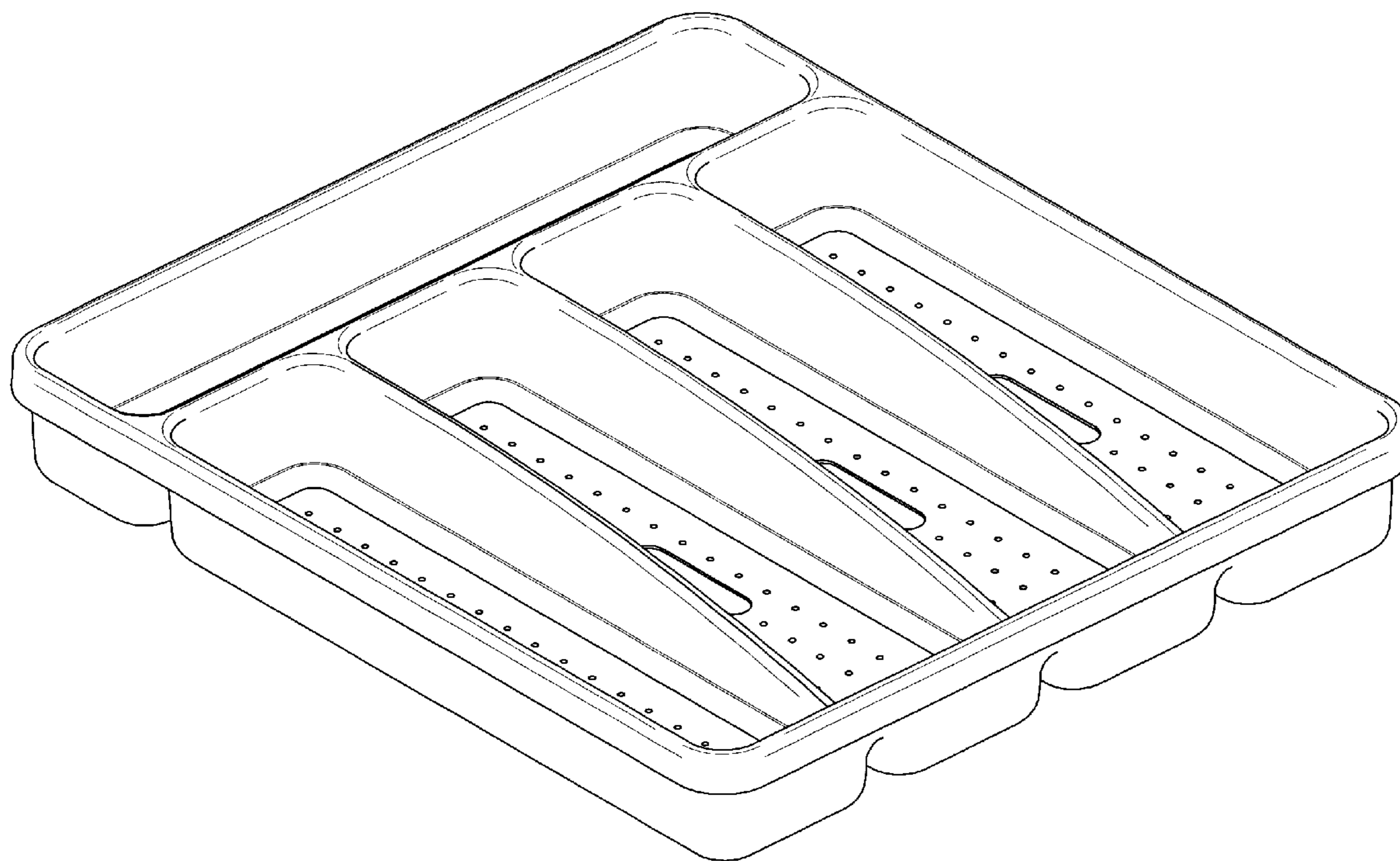
FIG. 6 is a front elevational view of a large cutlery tray.

(56) **References Cited**

**U.S. PATENT DOCUMENTS**

D332,553 S \* 1/1993 Giugiaro ..... D7/637

**1 Claim, 3 Drawing Sheets**



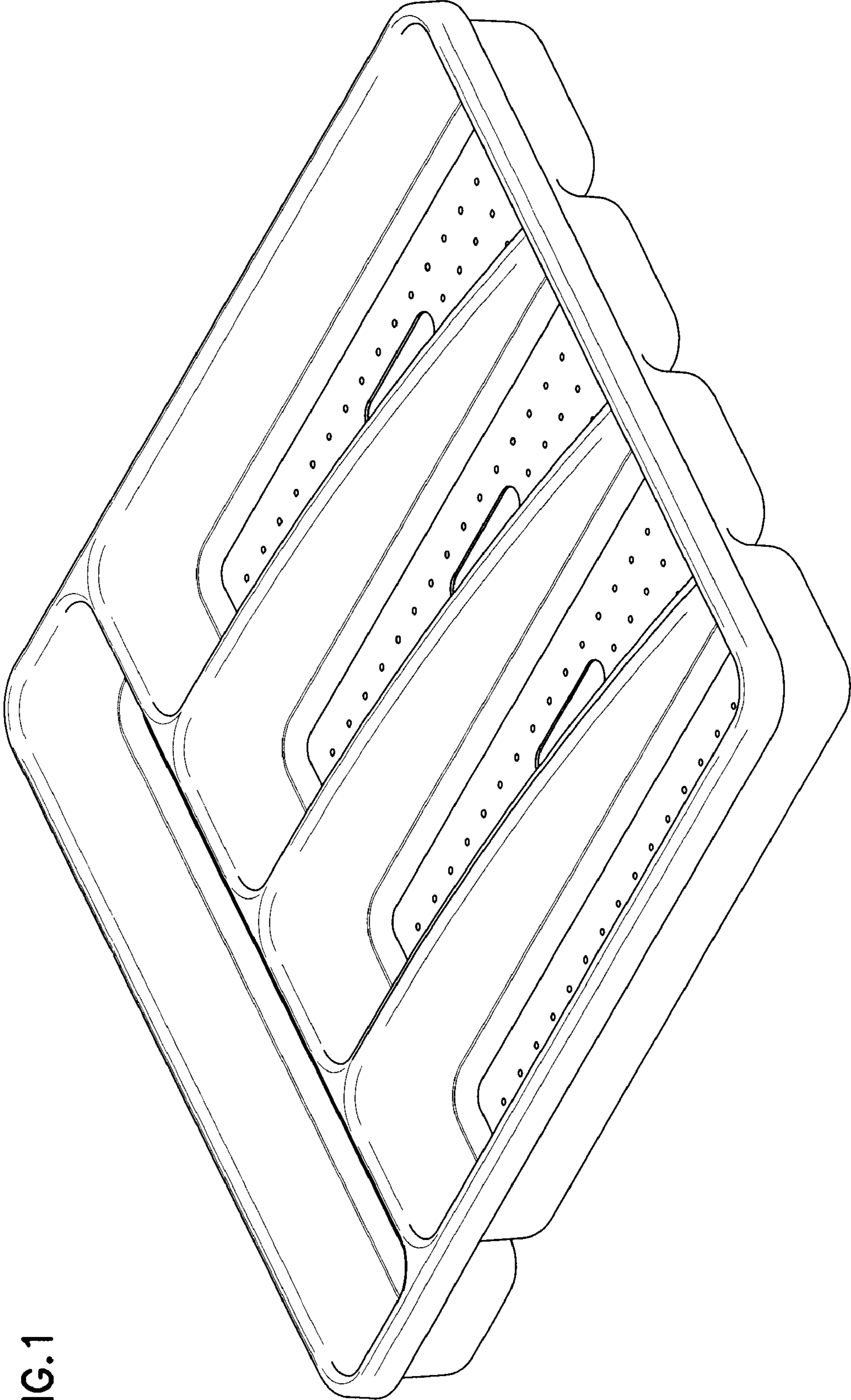


FIG.1

FIG.3

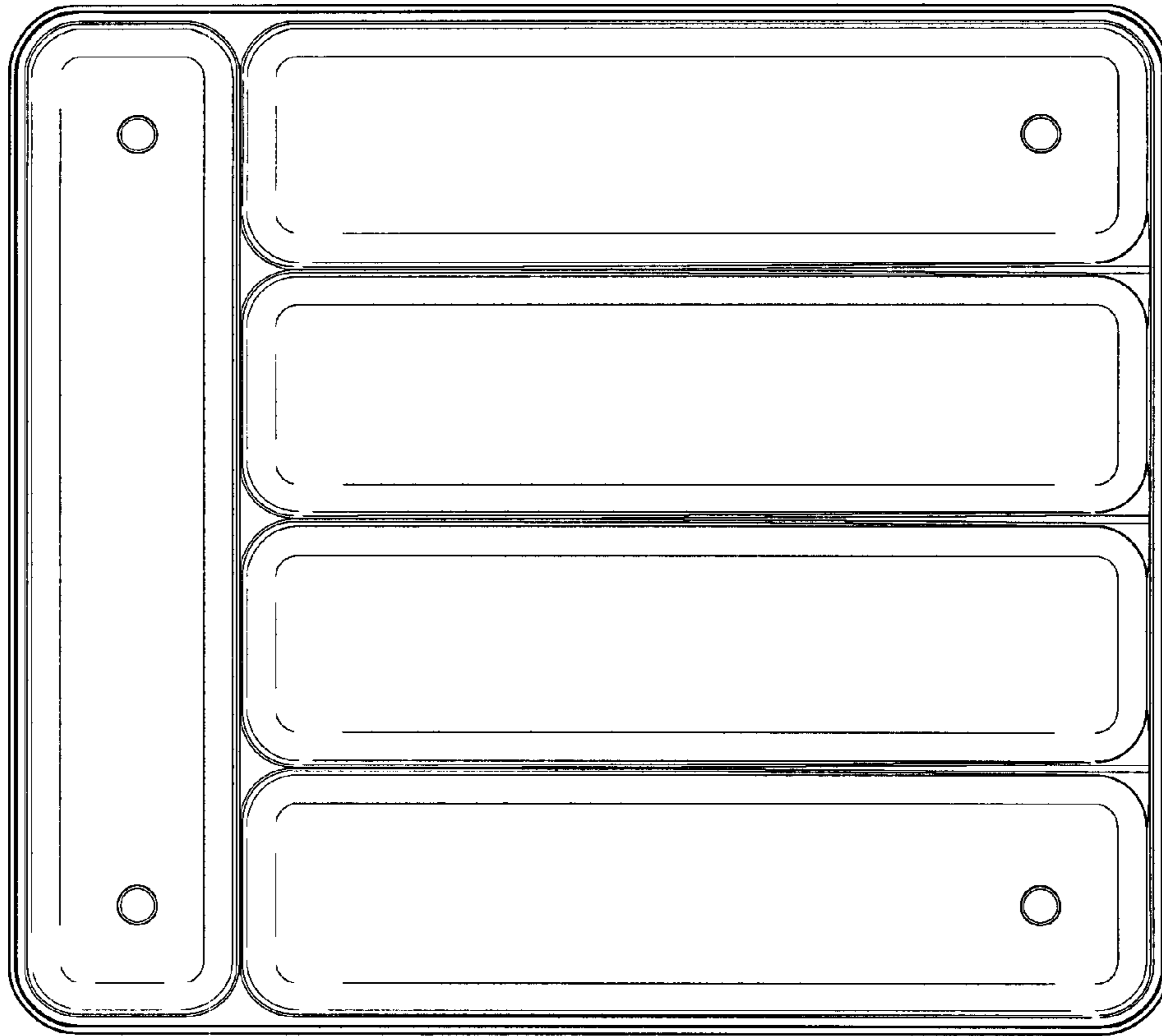


FIG.2

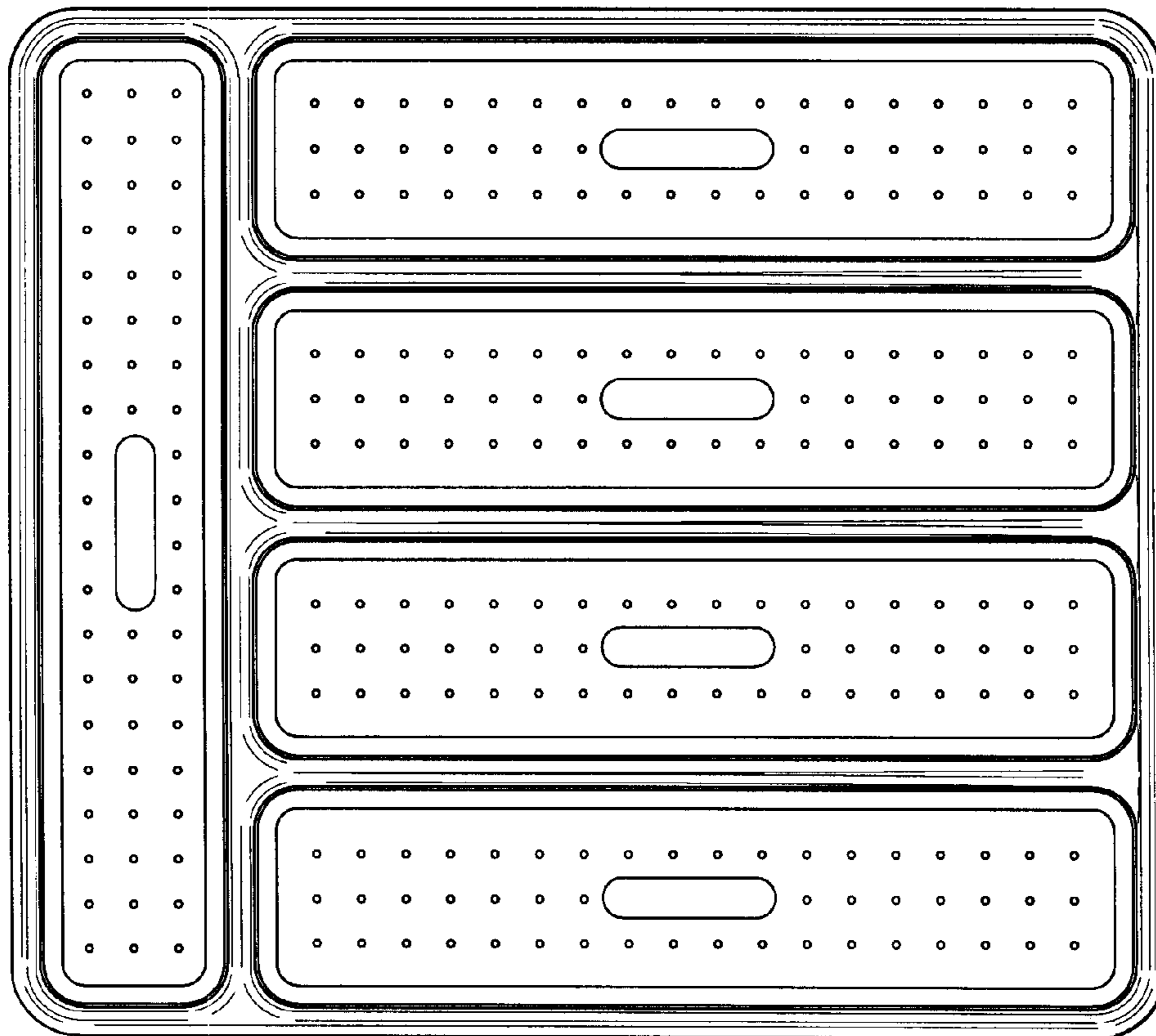


FIG. 4

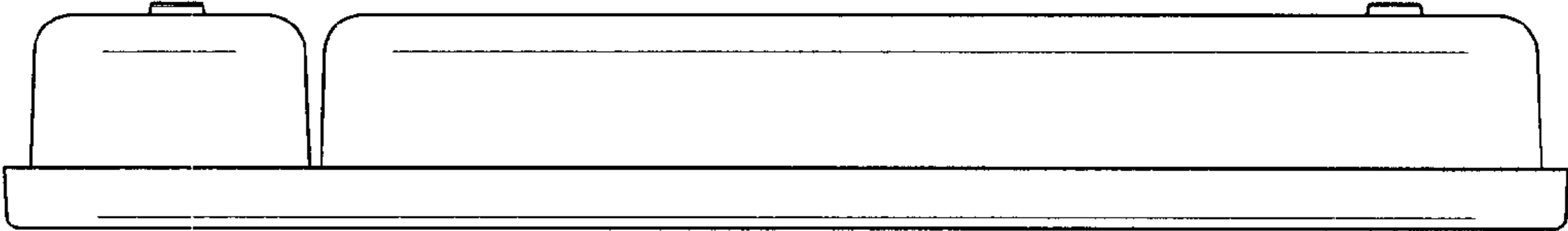


FIG. 5

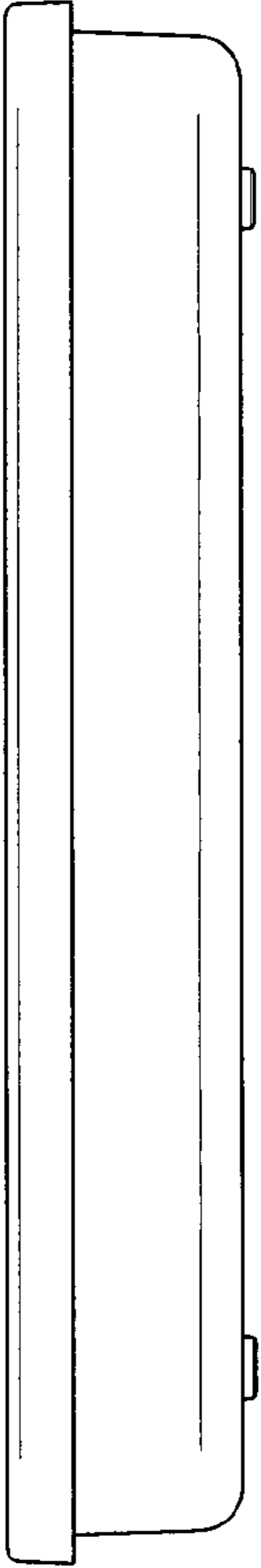
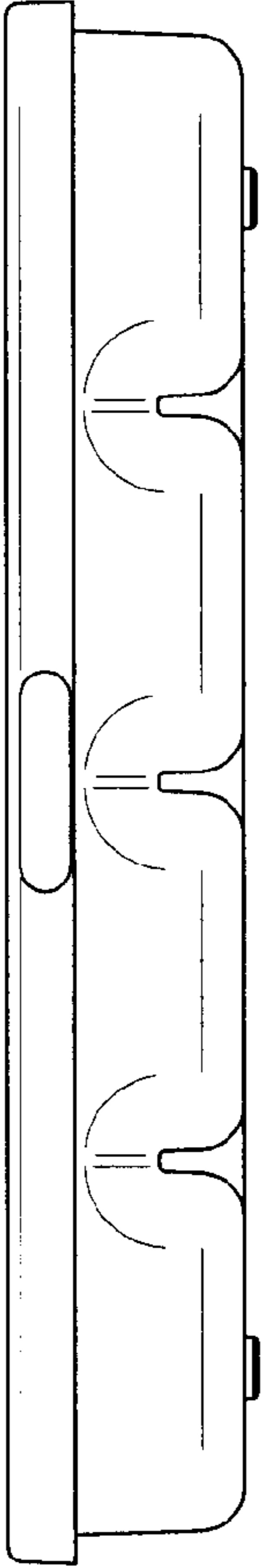


FIG. 6





UNITED STATES PATENT AND TRADEMARK OFFICE  
**CERTIFICATE OF CORRECTION**

PATENT NO. : Des. 527,229 S  
APPLICATION NO. : 29/234010  
DATED : August 29, 2006  
INVENTOR(S) : Devee Joy

Page 1 of 1

It is certified that error appears in the above-identified patent and that said Letters Patent is hereby corrected as shown below:

On the Title page of the patent, in the inventor Item (75) information: Please change to read:

--Devee Joy, Mendota Heights, MN (US) 55108--.

Signed and Sealed this

Twelfth Day of June, 2007

A handwritten signature in black ink on a light gray dotted background. The signature reads "Jon W. Dudas" in a cursive style.

JON W. DUDAS

*Director of the United States Patent and Trademark Office*