



US00D527225S

(12) **United States Design Patent**  
**Krieger et al.**

(10) **Patent No.:** **US D527,225 S**

(45) **Date of Patent:** **\*\* Aug. 29, 2006**

(54) **COMBINED RECHARGEABLE TRAVEL COOLER AND WARMER**

D416,447 S \* 11/1999 Levy et al. .... D7/605  
D494,021 S \* 8/2004 Huthmaker .... D7/605

(75) Inventors: **Michael Krieger**, Miami Beach, FL (US); **Kevin Ellsworth**, Alva, FL (US)

\* cited by examiner

(73) Assignee: **Vector Products, Inc.**, Ft. Lauderdale, FL (US)

*Primary Examiner*—Terry A. Wallace  
(74) *Attorney, Agent, or Firm*—Venable LLP; Robert Kinberg; Manni Li

(\*\*) Term: **14 Years**

(57) **CLAIM**

(21) Appl. No.: **29/228,751**

The ornamental design for a combined rechargeable travel cooler and warmer, as shown and described.

(22) Filed: **Apr. 28, 2005**

**DESCRIPTION**

(51) **LOC (8) Cl.** ..... **07-01**

(52) **U.S. Cl.** ..... **D7/605**

(58) **Field of Classification Search** ..... D7/603–608,  
D7/709, 710; D3/273, 276, 279; 62/3.62,  
62/371, 372, 457.1–457.9; 220/915.1, 915.2,  
220/592.23–592.25, 592.2

See application file for complete search history.

FIG. 1 is a perspective view from the top, front, left side of the combined rechargeable travel cooler and warmer showing our new design;

FIG. 2 is a front view of the design shown in FIG. 1;

FIG. 3 is a rear view of the design shown in FIG. 1;

FIG. 4 is a left side view of the design shown in FIG. 1;

FIG. 5 is a right side view of the design shown in FIG. 1;

FIG. 6 is a top view of the design shown in FIG. 1;

FIG. 7 is a bottom view of the design shown in FIG. 1; and,

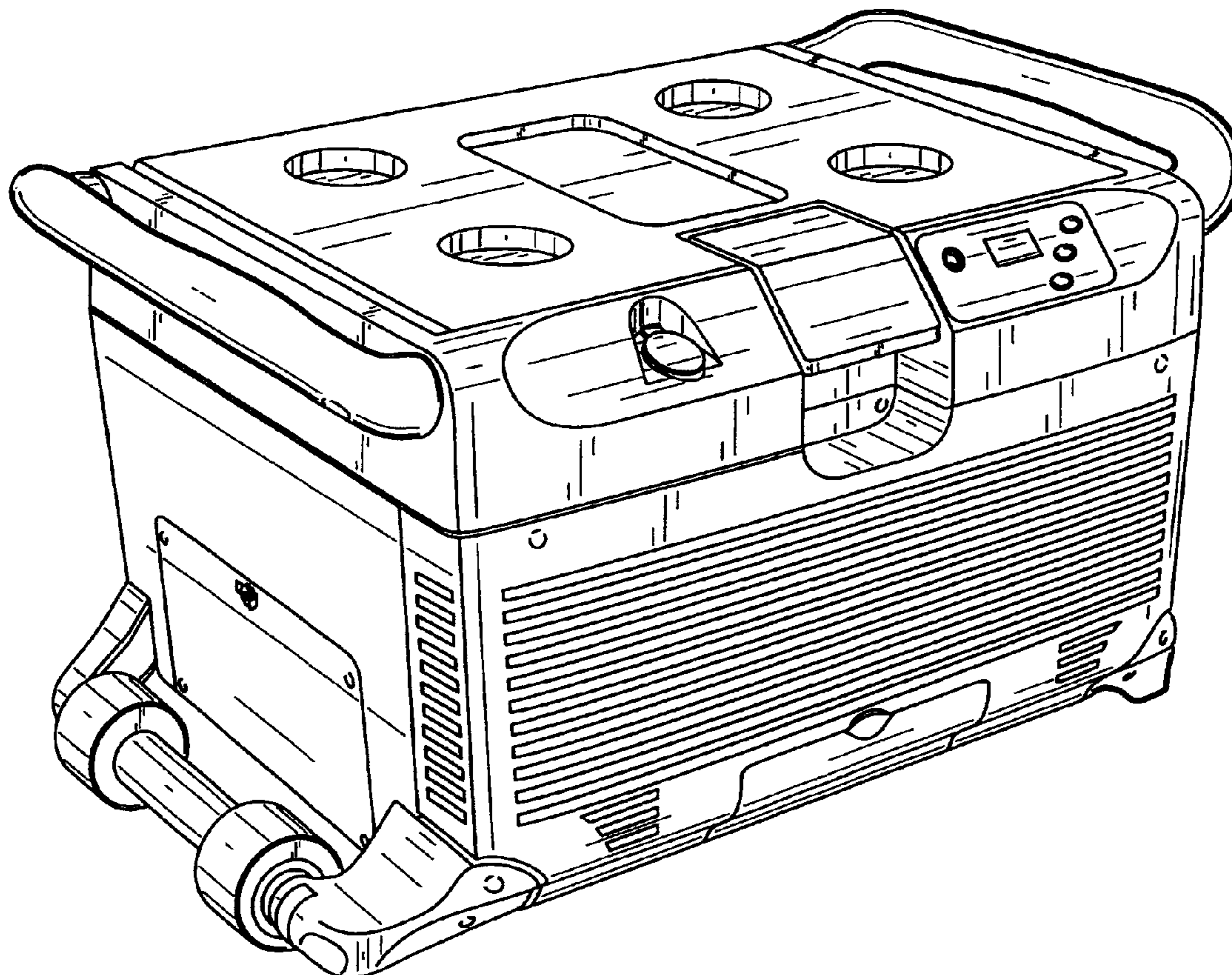
FIG. 8 is a bottom view of the design as shown in FIG. 7 with the retractable handle pulled out.

(56) **References Cited**

**U.S. PATENT DOCUMENTS**

D368,207 S \* 3/1996 Januzzi ..... D7/605  
D374,772 S \* 10/1996 Hotaling et al. .... D3/276

**1 Claim, 8 Drawing Sheets**



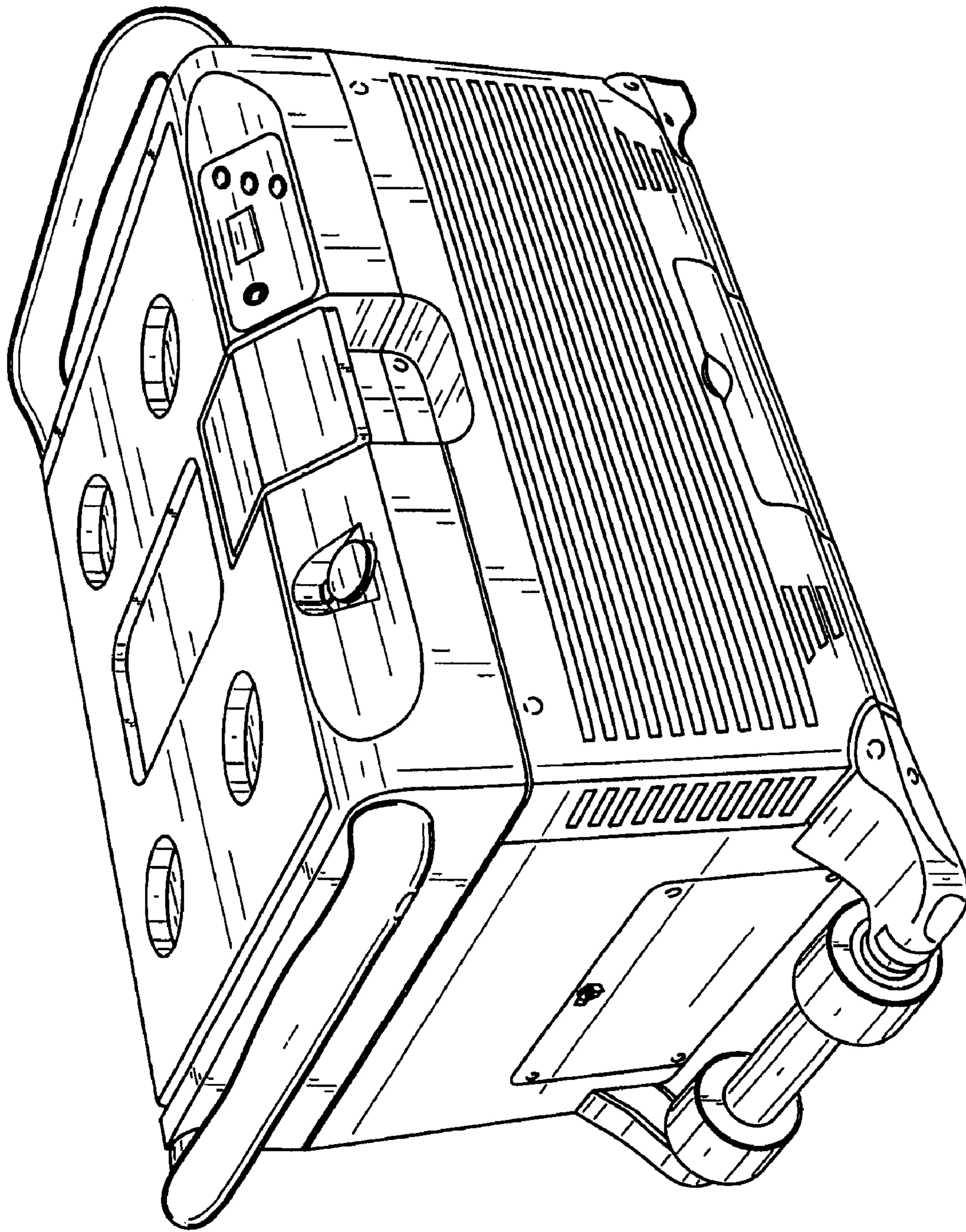


FIG. 1

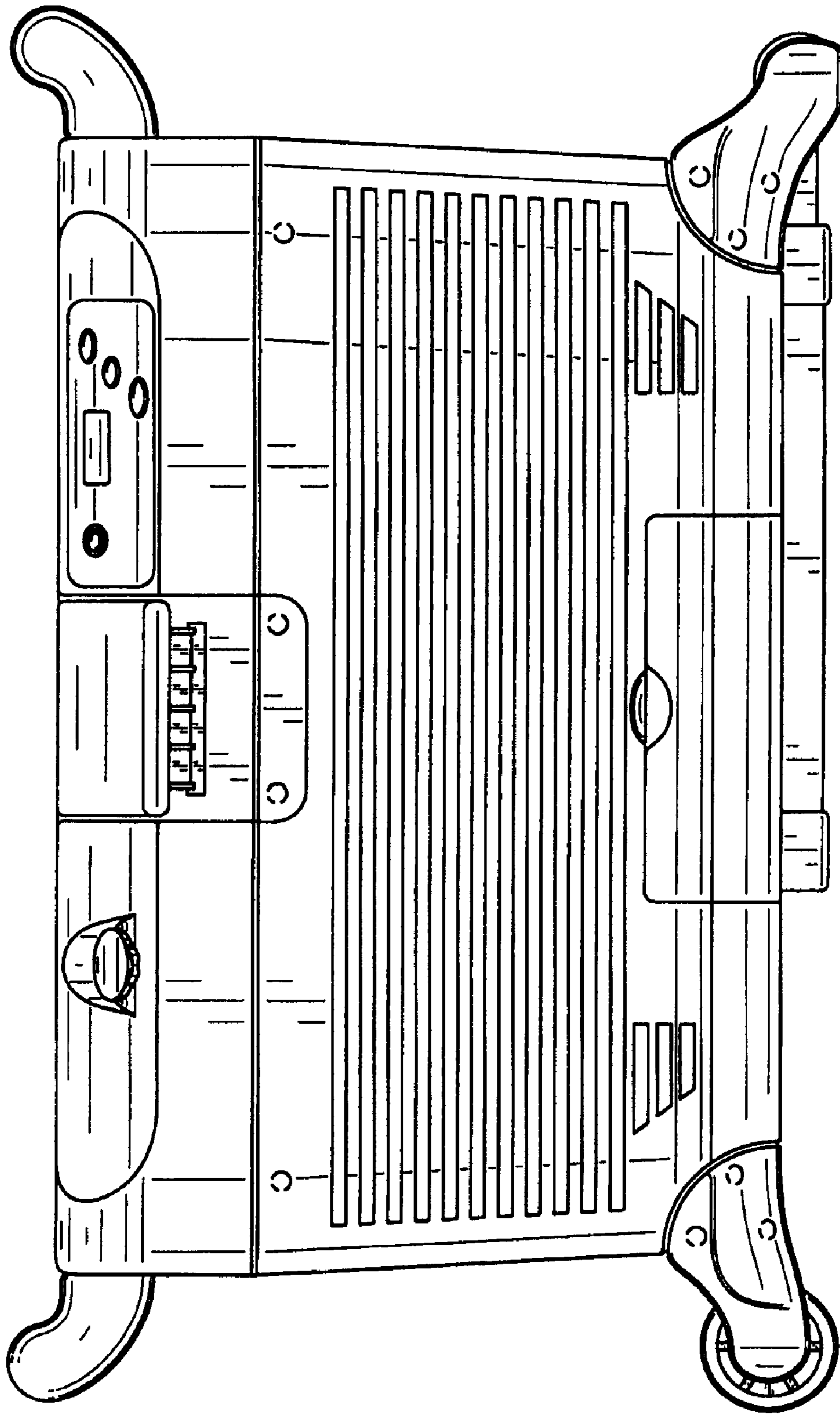


FIG. 2

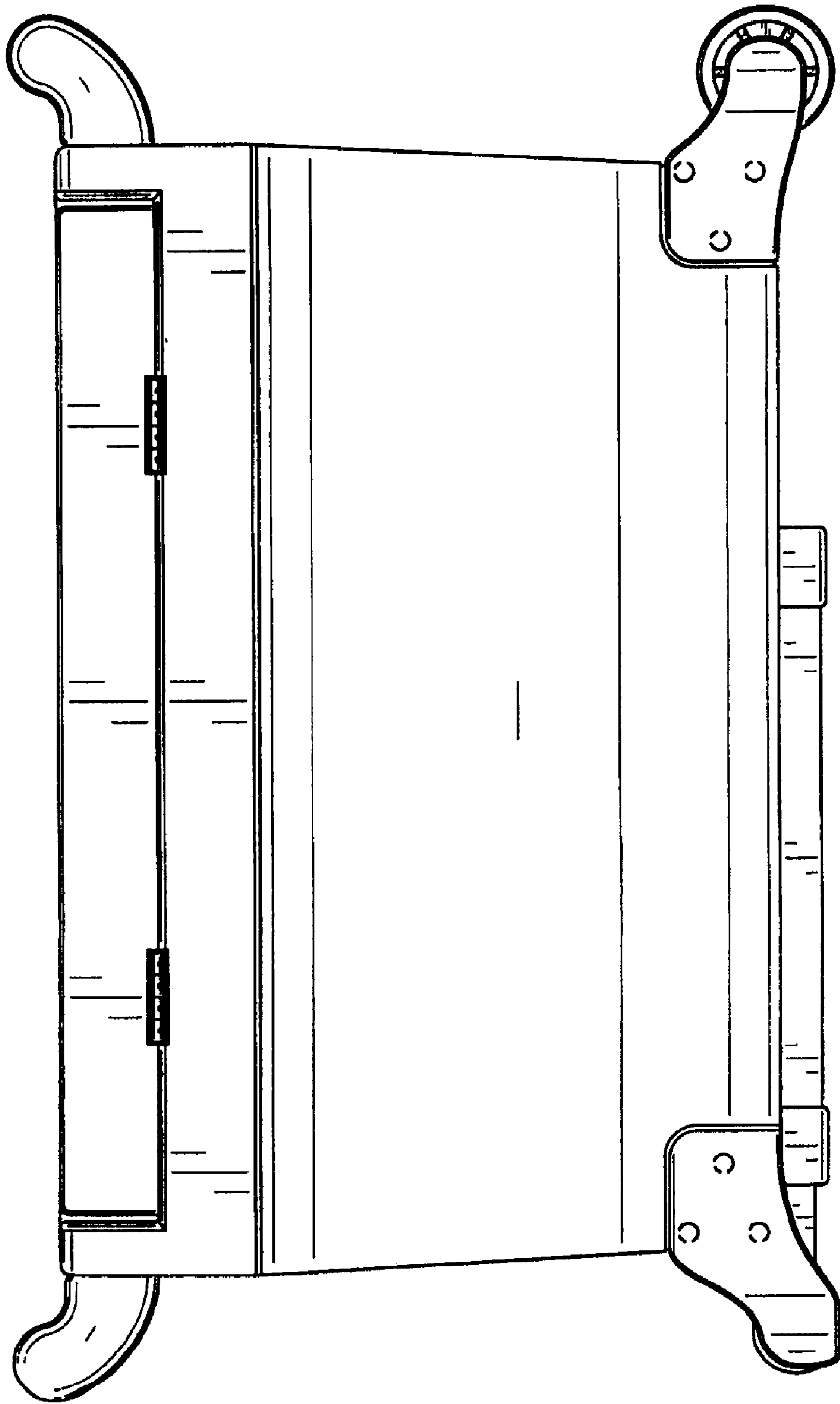


FIG. 3

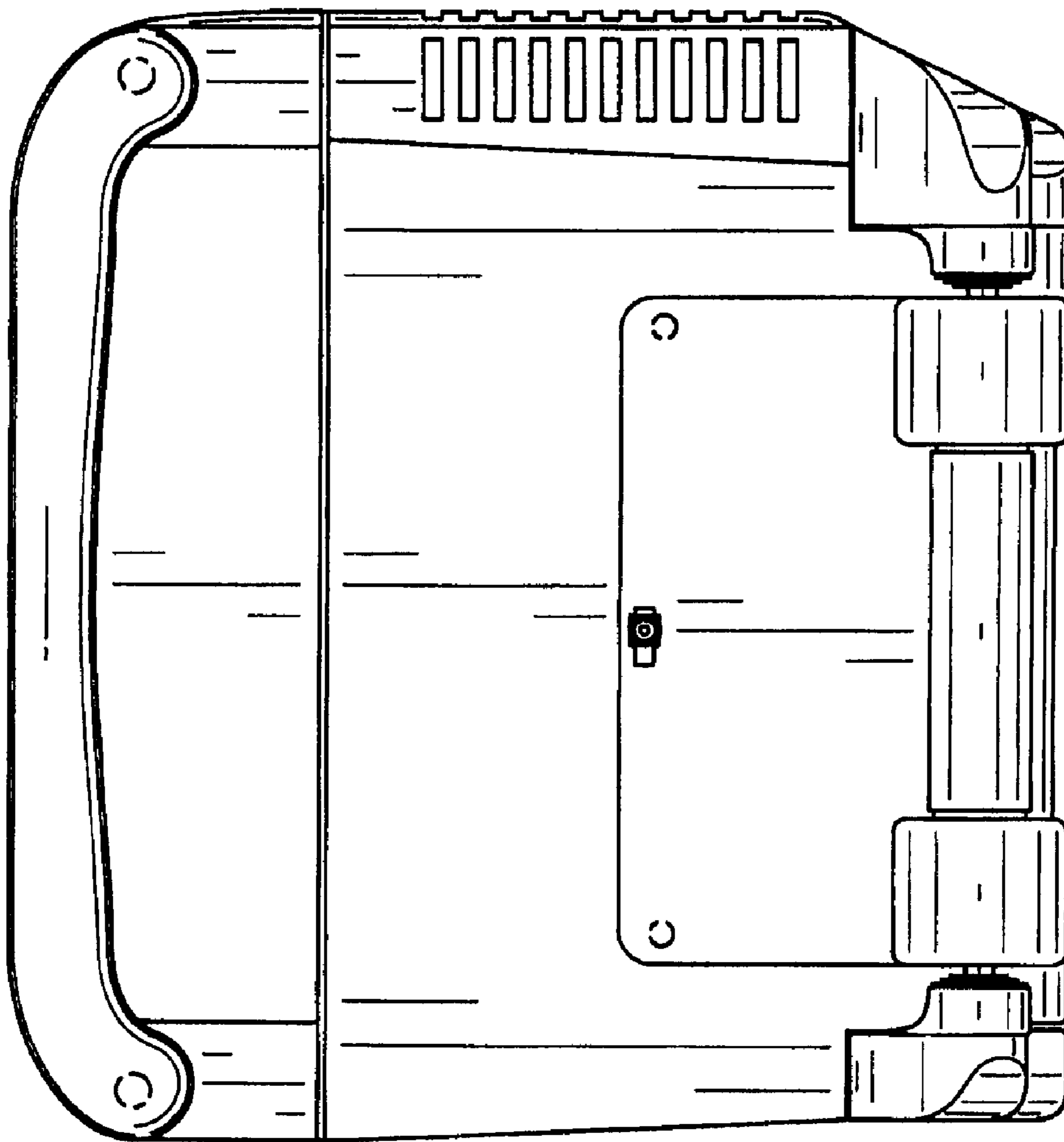


FIG. 4

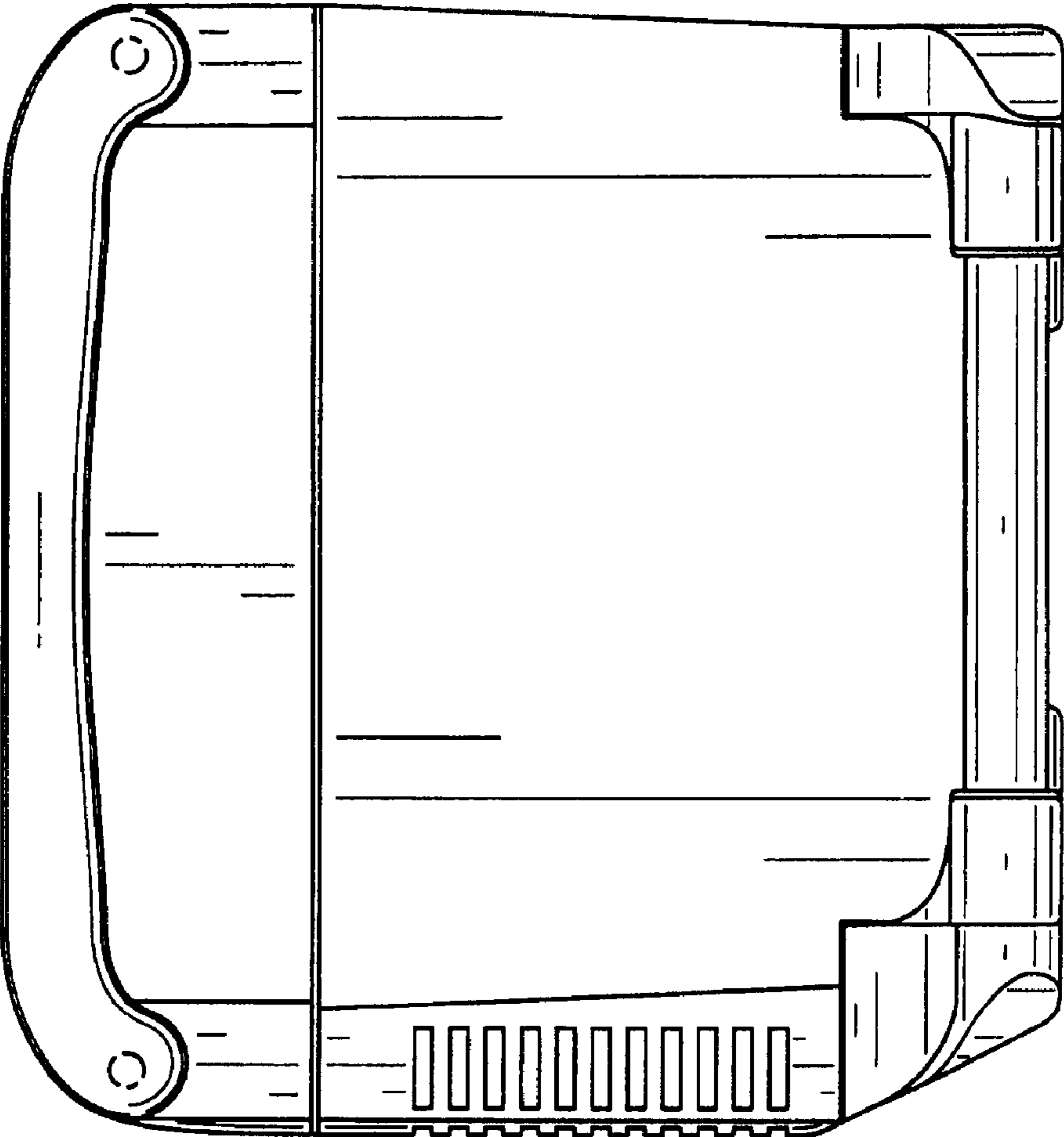


FIG. 5

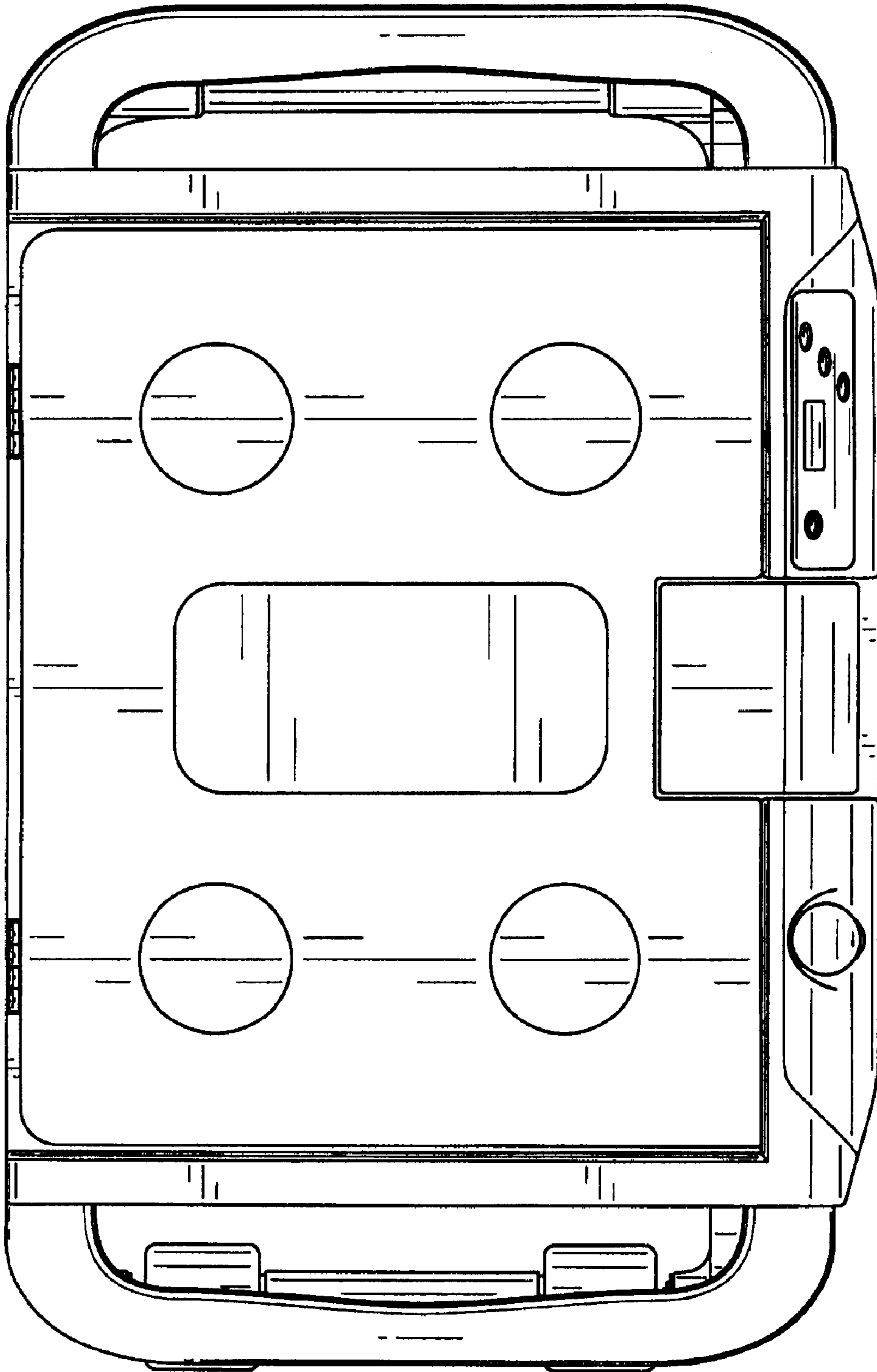


FIG. 6

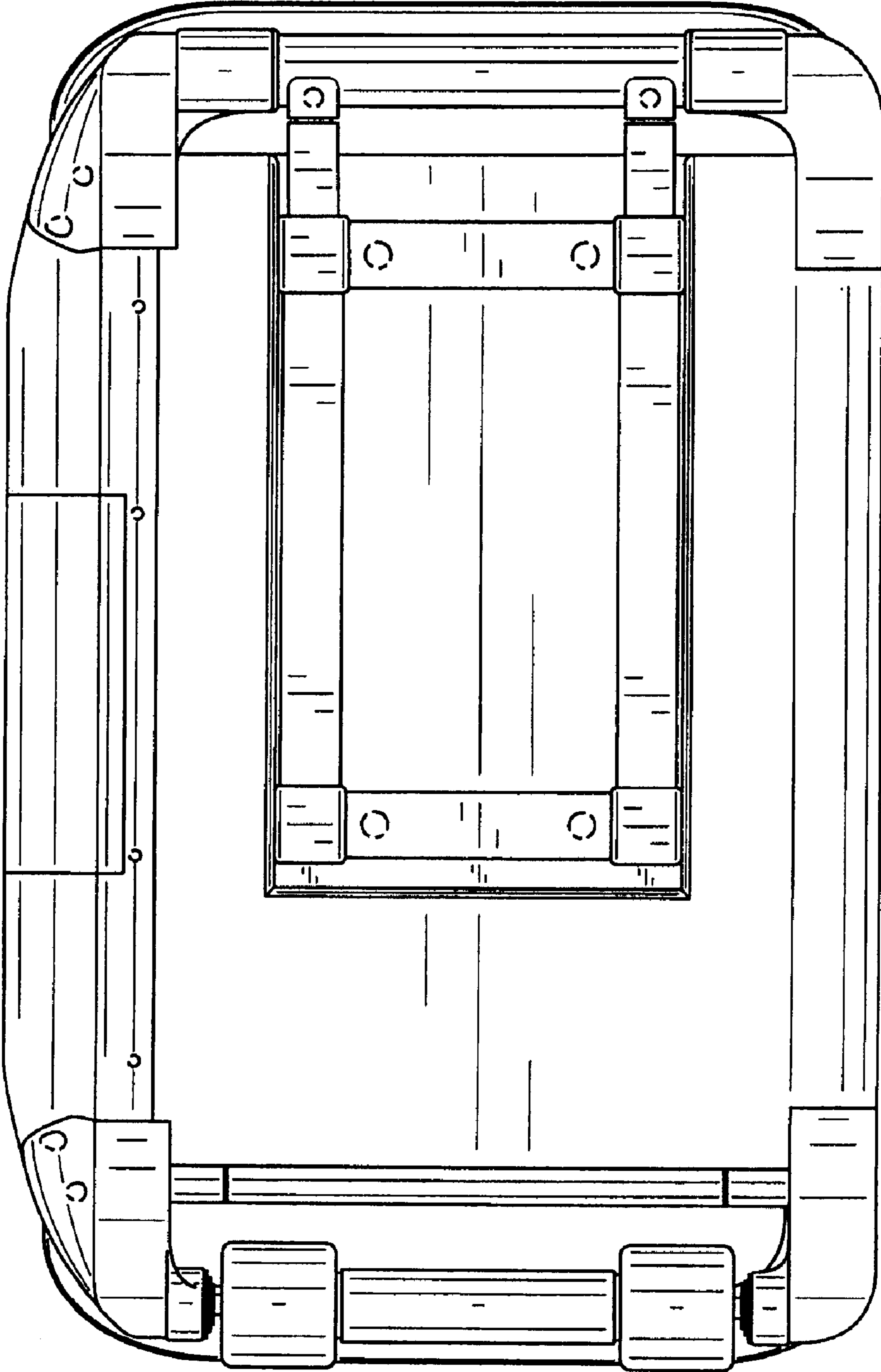


FIG. 7



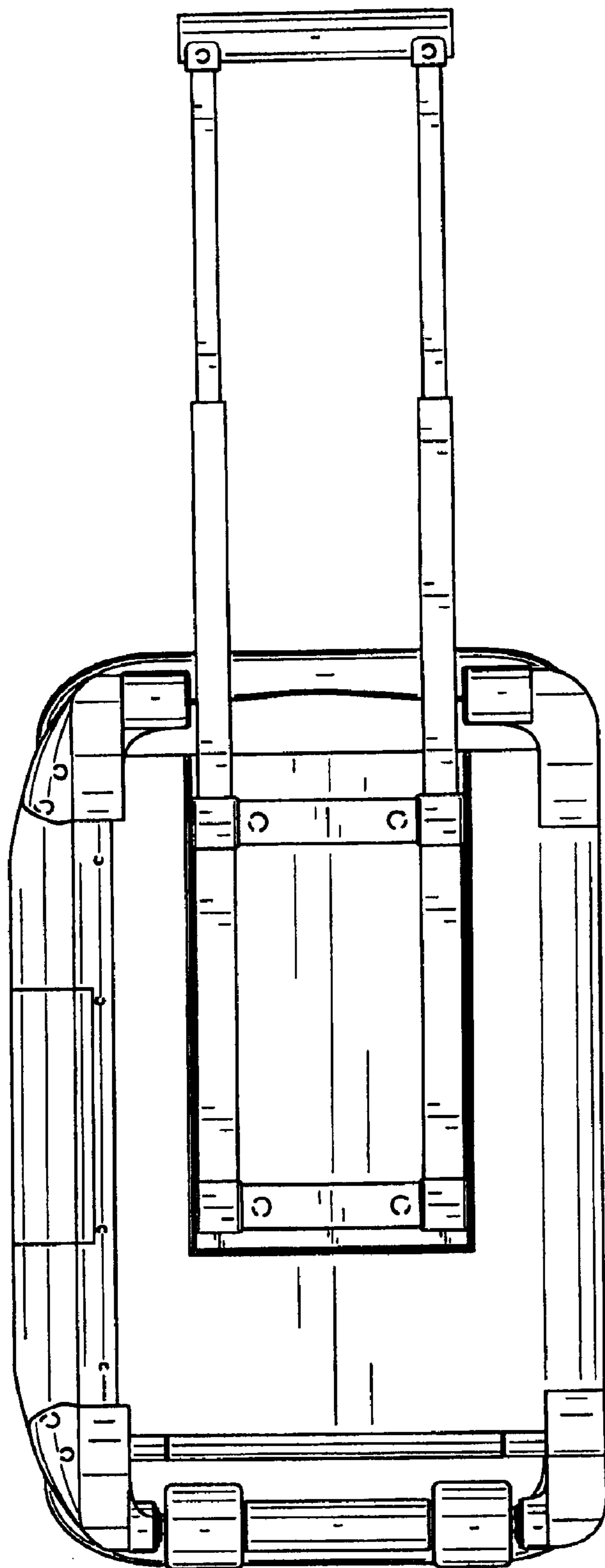


FIG. 8