



US00D527219S

(12) **United States Design Patent**
Trombly

(10) **Patent No.:** **US D527,219 S**

(45) **Date of Patent:** **** Aug. 29, 2006**

(54) **BEVERAGE CONTAINER LID**

(75) **Inventor:** **Edgar F. Trombly**, Grosse Pointe Farms, MI (US)

(73) **Assignee:** **Punch Products USA, Inc.**, Rahway, NJ (US)

(**) **Term:** **14 Years**

(21) **Appl. No.:** **29/241,122**

(22) **Filed:** **Oct. 24, 2005**

(51) **LOC (8) Cl.** **07-02**

(52) **U.S. Cl.** **D7/392.1**

(58) **Field of Classification Search** D7/317-319,
D7/391-392.1, 396.2, 507, 510-511, 629;
D9/435, 440, 444, 447, 449-450, 454, 503-504;
215/211, 200, 224, 243; 220/700, 701, 703,
220/711, 713-715, 719
See application file for complete search history.

(56) **References Cited**

U.S. PATENT DOCUMENTS

4,949,865	A	*	8/1990	Turner	220/713
D356,499	S	*	3/1995	Cautereels et al.	D9/449
D397,905	S	*	9/1998	Hsu	D7/317
D409,488	S	*	5/1999	Mohary et al.	D9/449
D411,745	S	*	6/1999	Mohary et al.	D9/449
D417,583	S	*	12/1999	Demore	D7/392.1

D447,693	S	*	9/2001	Warner et al.	D9/503
D485,759	S	*	1/2004	Janky et al.	D9/449
6,752,287	B1	*	6/2004	Lin	220/254.9
D500,428	S	*	1/2005	Ward et al.	D7/392.1
D504,796	S	*	5/2005	Schuler et al.	D7/392.1

* cited by examiner

Primary Examiner—Holly Baynham

Assistant Examiner—Cynthia M. Chin

(74) *Attorney, Agent, or Firm*—Howard C. Miskin, Esq.;
Gloria Tsui-Yip, Esq.

(57) **CLAIM**

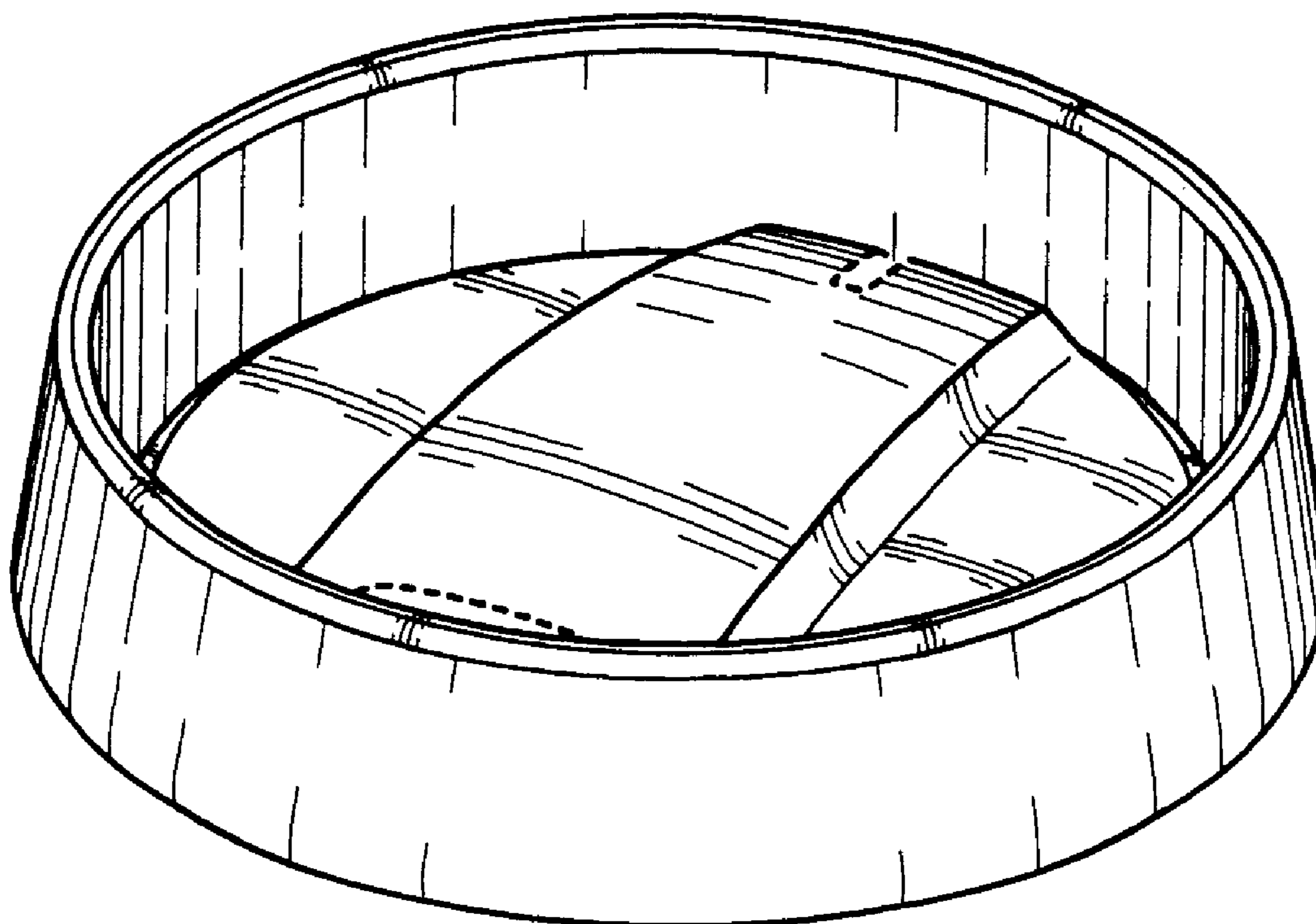
The ornamental design for a beverage container lid, as shown and described.

DESCRIPTION

FIG. 1 is a perspective view of my new design;
FIG. 2 is a front elevational view, the rear elevational view being a mirror image;
FIG. 3 is a left side view, the right side view being a mirror image;
FIG. 4 is a bottom plan view;
FIG. 5 is a top plan view; and,
FIG. 6 is a top plan view showing the spinner turned to a closed position.

The dotted lines in FIGS. 1-6 showing various holes in phantom are for illustrative purposes only and form no part of the claimed design.

1 Claim, 3 Drawing Sheets



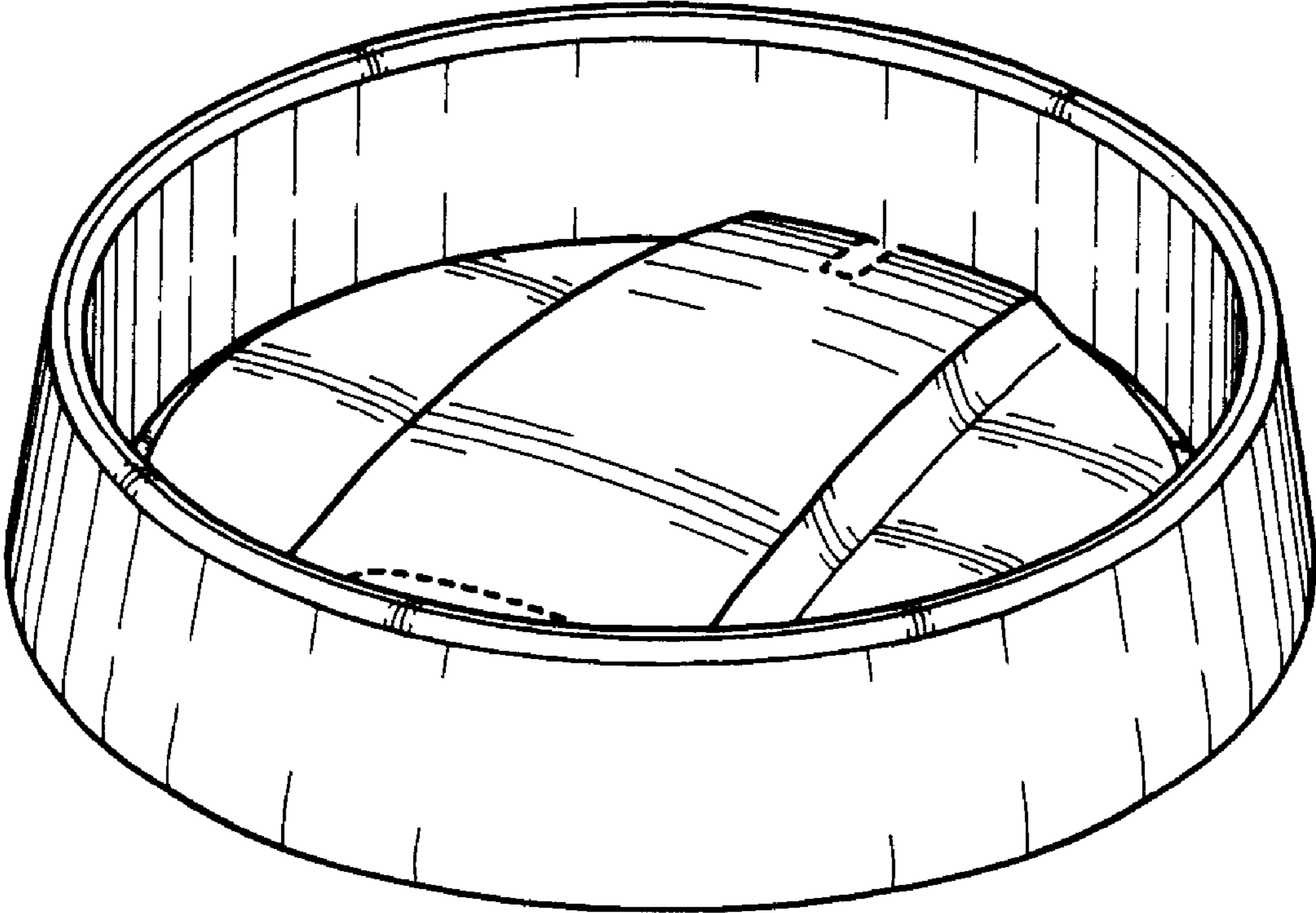


FIG. 1

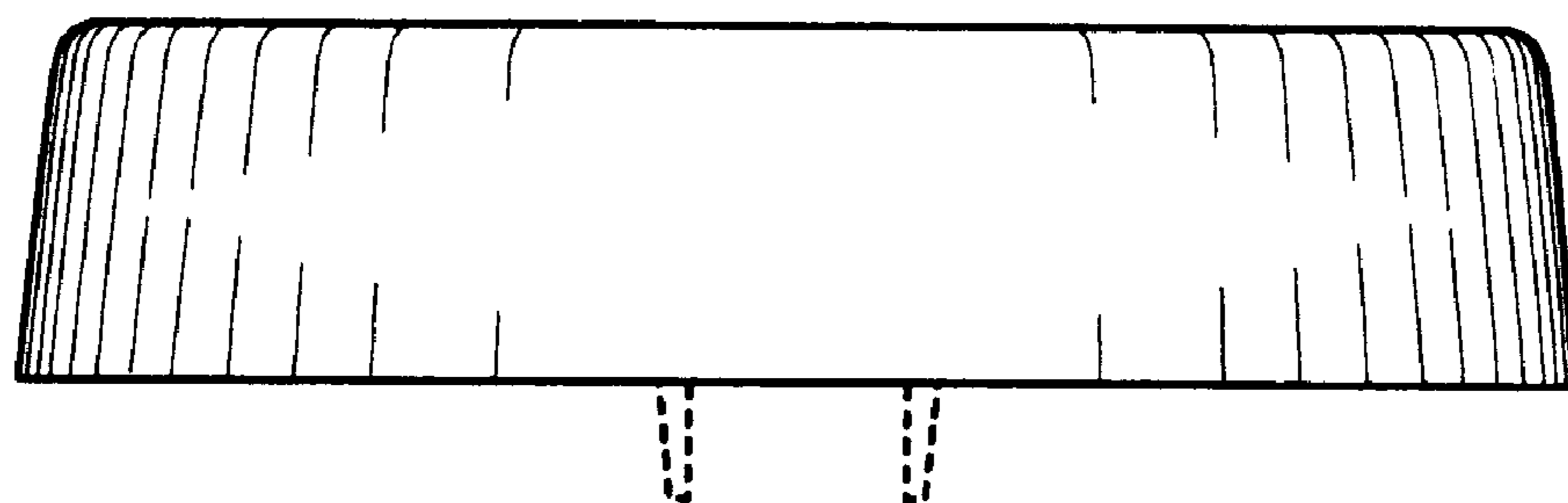


FIG. 2

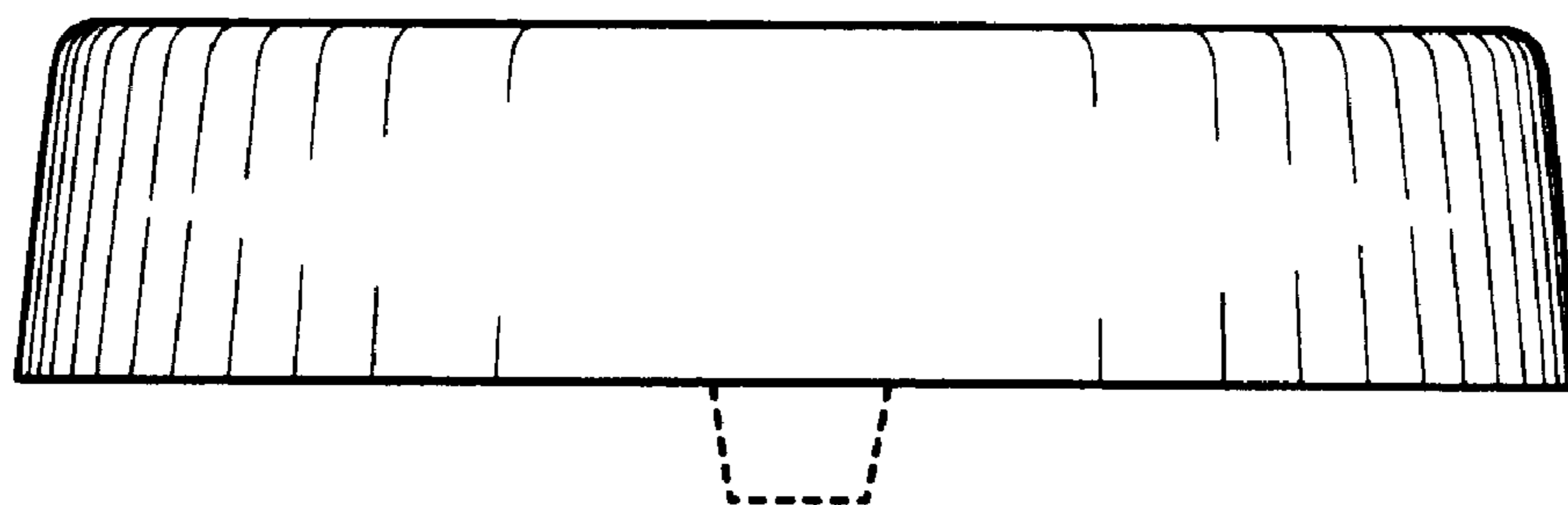


FIG. 3

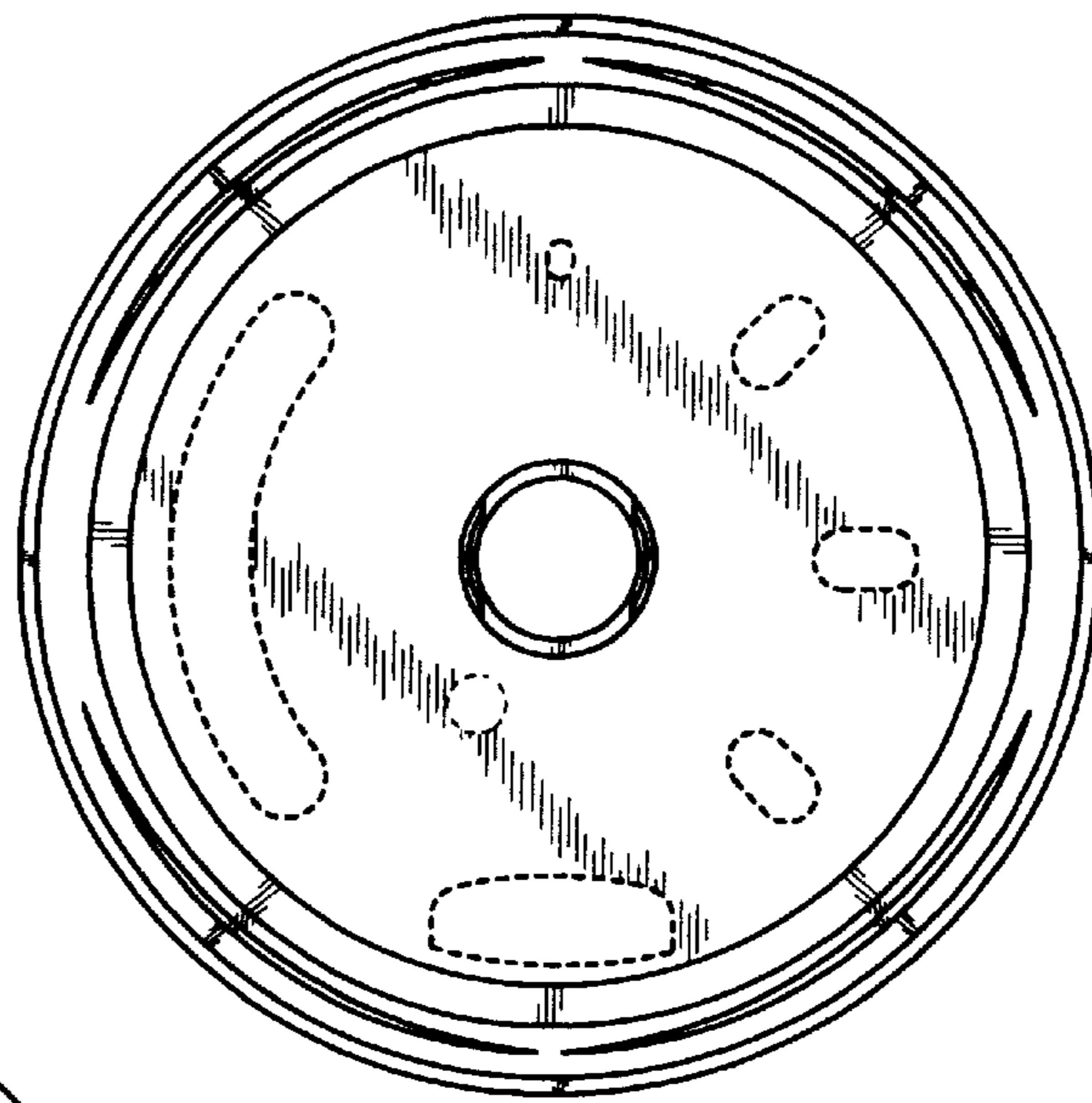


FIG. 4

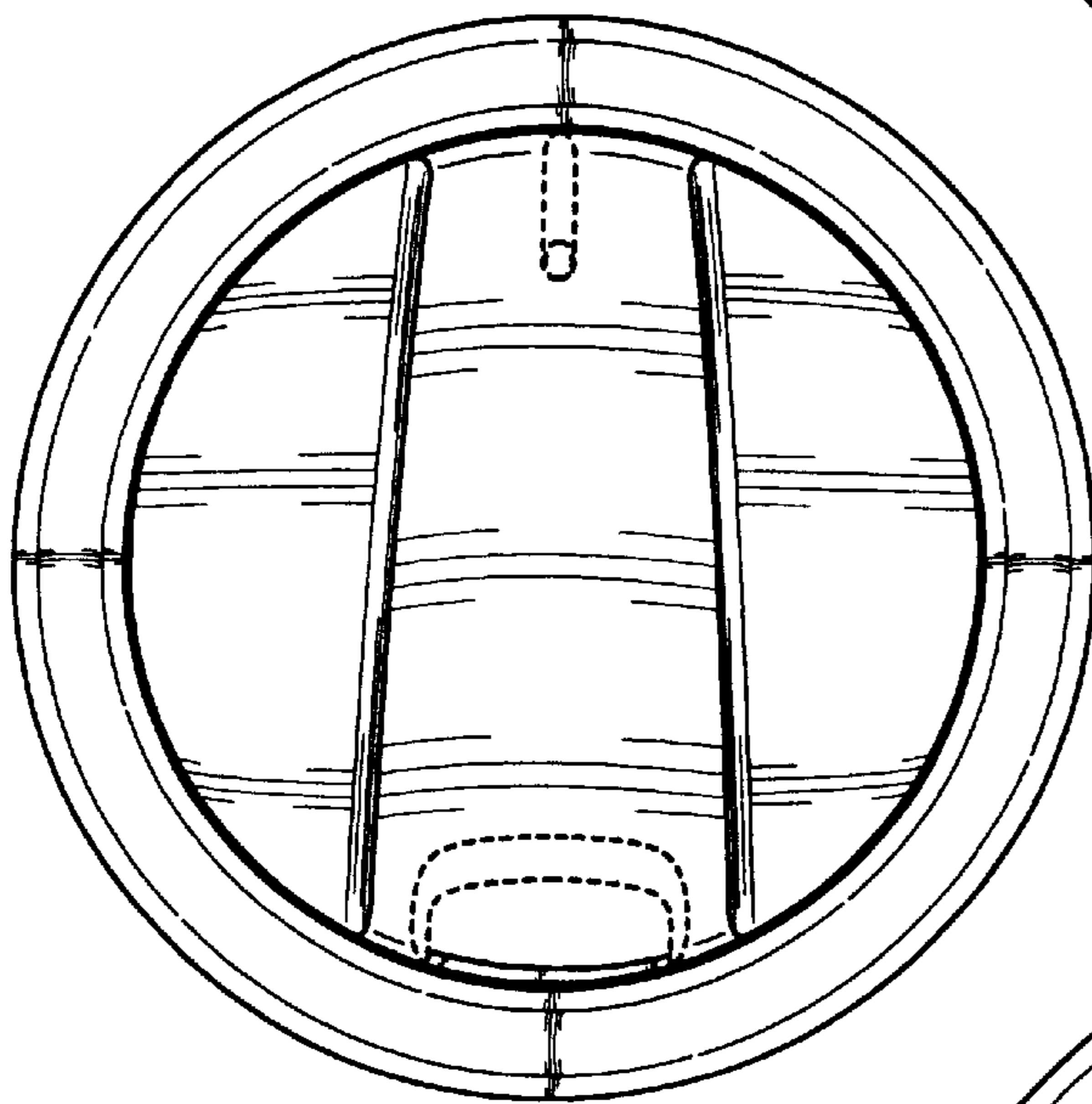


FIG. 5

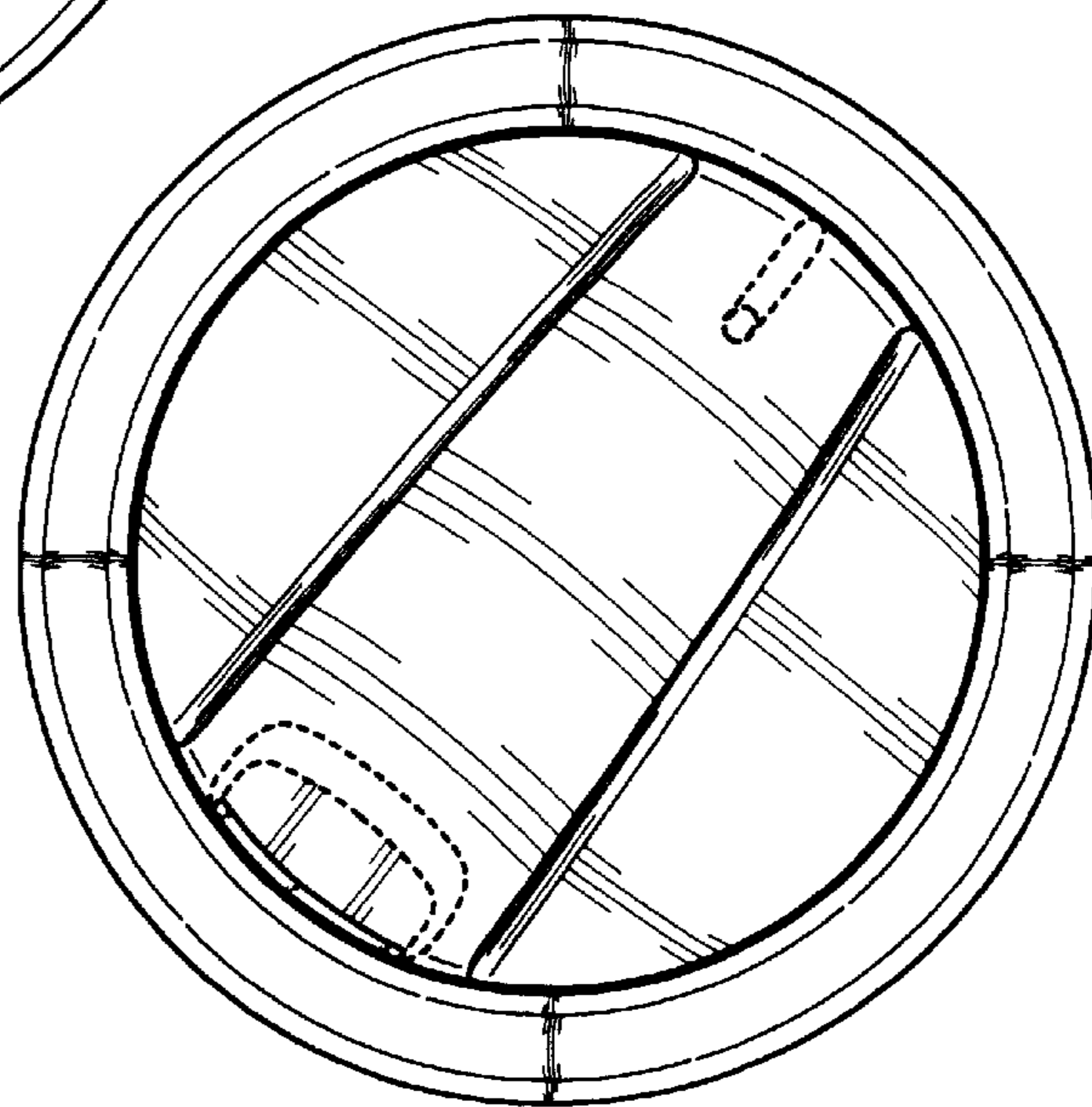


FIG. 6