

US00D527218S

(12) **United States Design Patent**  
**Carlson**

(10) **Patent No.:** **US D527,218 S**

(45) **Date of Patent:** **\*\* Aug. 29, 2006**

(54) **CONTAINER LID**

(75) **Inventor:** **Arthur Richard Carlson**, Hawthorn East (AU)

(73) **Assignee:** **Décor Corporation Pty Ltd.**, Scoresby (AU)

(\*\*) **Term:** **14 Years**

(21) **Appl. No.:** **29/209,186**

(22) **Filed:** **Jul. 12, 2004**

(51) **LOC (8) Cl.** ..... **07-02**

(52) **U.S. Cl.** ..... **D7/392**

(58) **Field of Classification Search** ..... D7/317-319,  
D7/391-392.1, 396.2, 510-511, 629; D9/435,  
D9/440, 444, 447, 449-450, 454, 503-504;  
215/211, 200, 224, 243; 220/700, 701, 703,  
220/711, 713-715, 719

See application file for complete search history.

(56) **References Cited**

**U.S. PATENT DOCUMENTS**

D359,905 S	*	7/1995	Molo	.....	D9/447
D389,012 S	*	1/1998	Miller	.....	D7/391
D418,716 S	*	1/2000	Haley	.....	D7/392.1
D446,419 S	*	8/2001	Ming-Shiue	.....	D7/392.1
D465,969 S	*	11/2002	Morin	.....	D7/392.1
D466,364 S	*	12/2002	Demore	.....	D7/392.1
D473,761 S	*	4/2003	Wilk et al.	.....	D7/629
D480,277 S	*	10/2003	Claypool	.....	D7/629
6,862,980 B1	*	3/2005	Heil et al.	.....	206/213.1

\* cited by examiner

*Primary Examiner*—Holly Baynham

*Assistant Examiner*—Cynthia M. Chin

(74) *Attorney, Agent, or Firm*—Meyertons, Hood, Kivlin, Kowert & Goetzel, P.C.; Eric B. Meyertons

(57) **CLAIM**

The ornamental design for a container lid, as shown and described.

**DESCRIPTION**

FIG. 1 is a perspective view of a container lid emphasizing a top surface of the container lid.

FIG. 2 is a perspective view of a container lid emphasizing a bottom surface of the container lid.

FIG. 3 is a front view of a container lid, the rear view of the container is a mirror image thereof.

FIG. 4 is a left end view of a container lid, the right end view of the container lid is a mirror image thereof.

FIG. 5 is a top view of a container lid.

FIG. 6 is a perspective view of a container lid in an alternate environment emphasizing a top surface of the container lid.

FIG. 7 is a perspective view of the container lid of FIG. 6 emphasizing a bottom surface of the container lid.

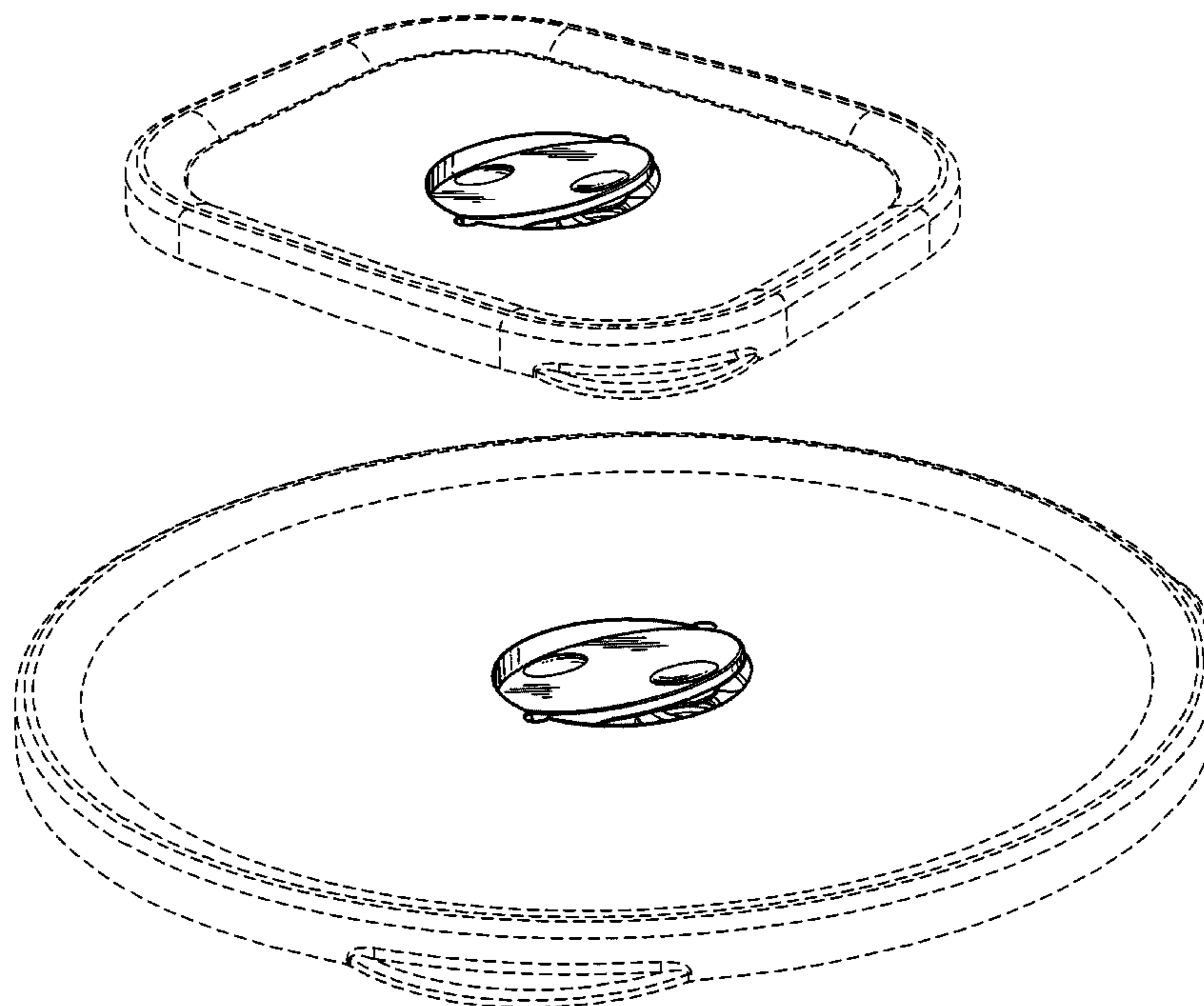
FIG. 8 is a top view of the container lid of FIG. 6.

FIG. 9 is a front view of the container lid of FIG. 6.

FIG. 10 is a left end view of the container lid of FIG. 6; and, FIG. 11 is a right end view of the container lid of FIG. 6; and, FIG. 12 is an enlarged cross-sectional view of the container lid taken along line 12—12 of FIG. 5 and line 12—12 of FIG. 8.

The broken lines in the above-referenced figures do not form a part of the claimed design.

**1 Claim, 6 Drawing Sheets**



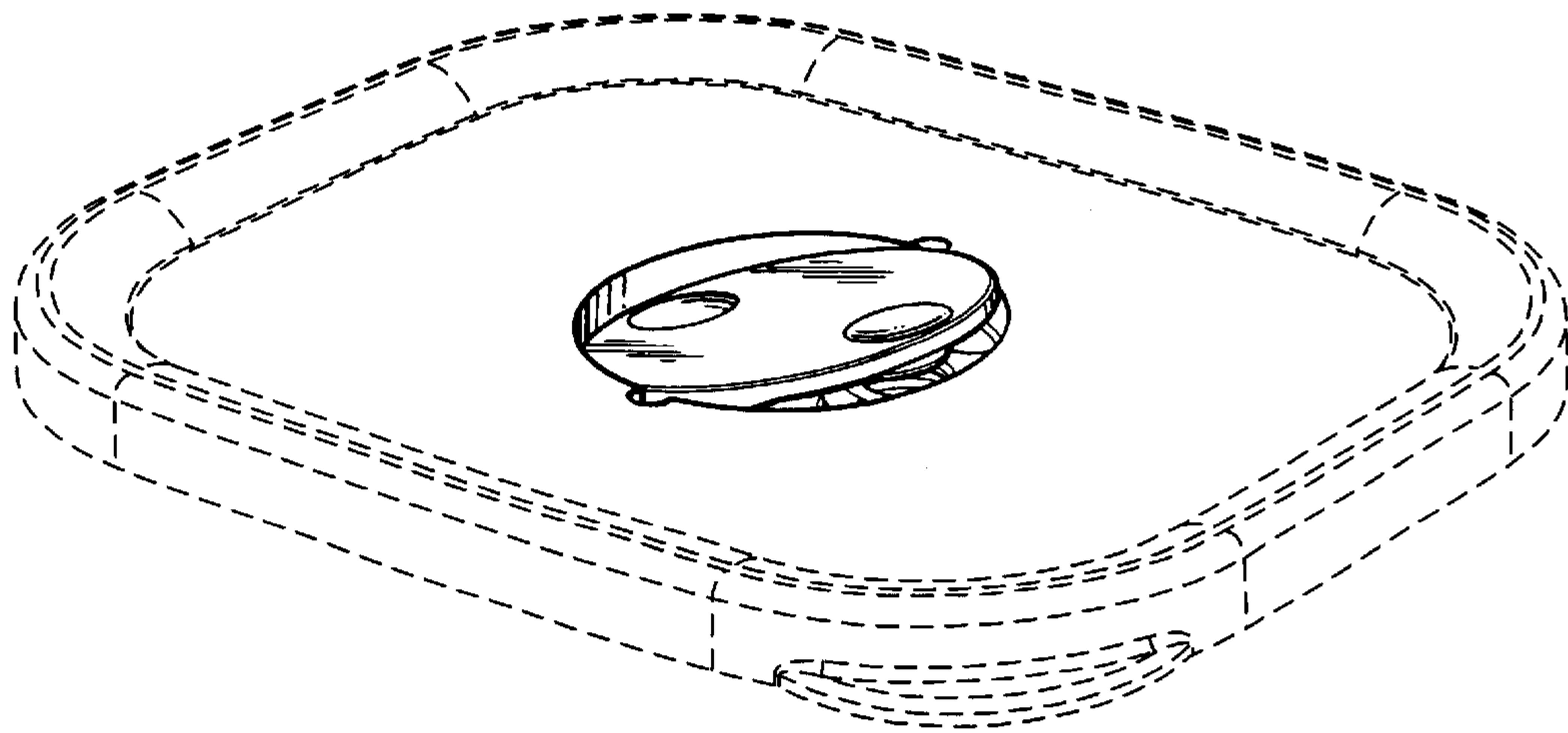


Fig. 1

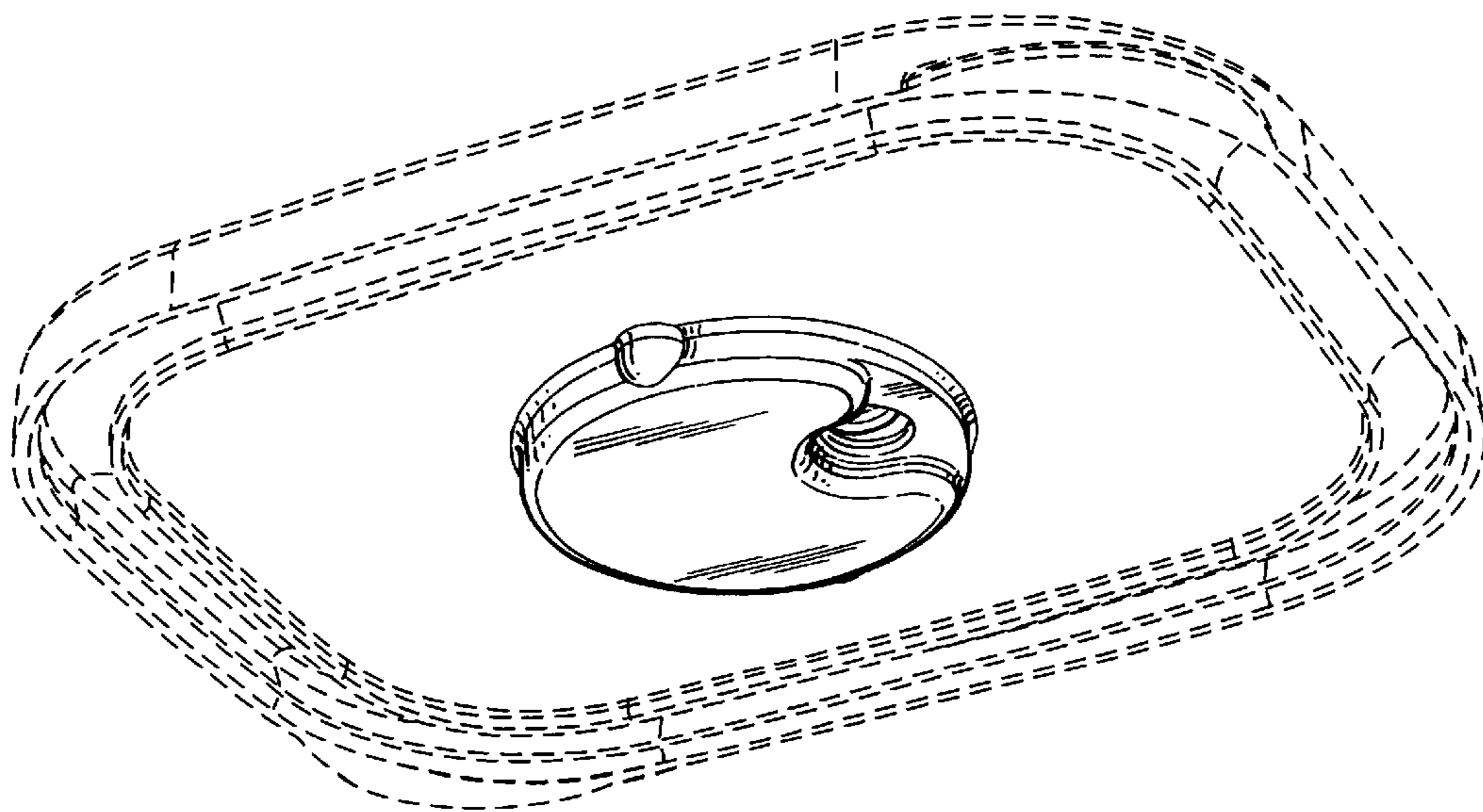


Fig. 2

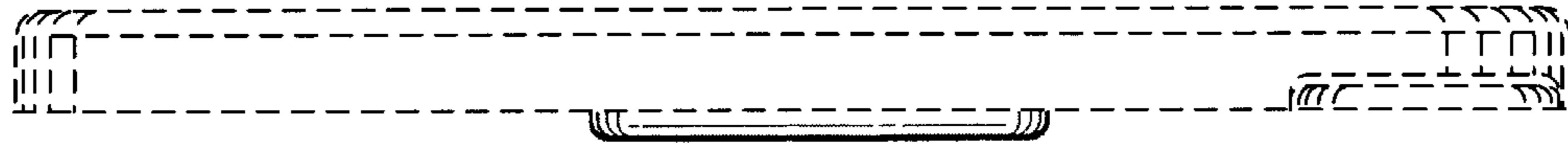


Fig. 3

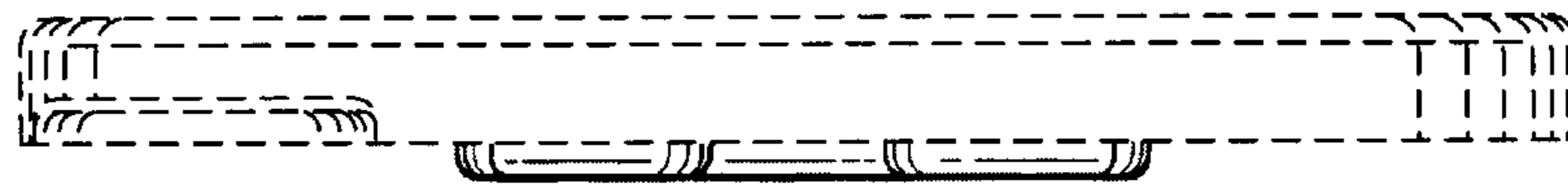


Fig. 4

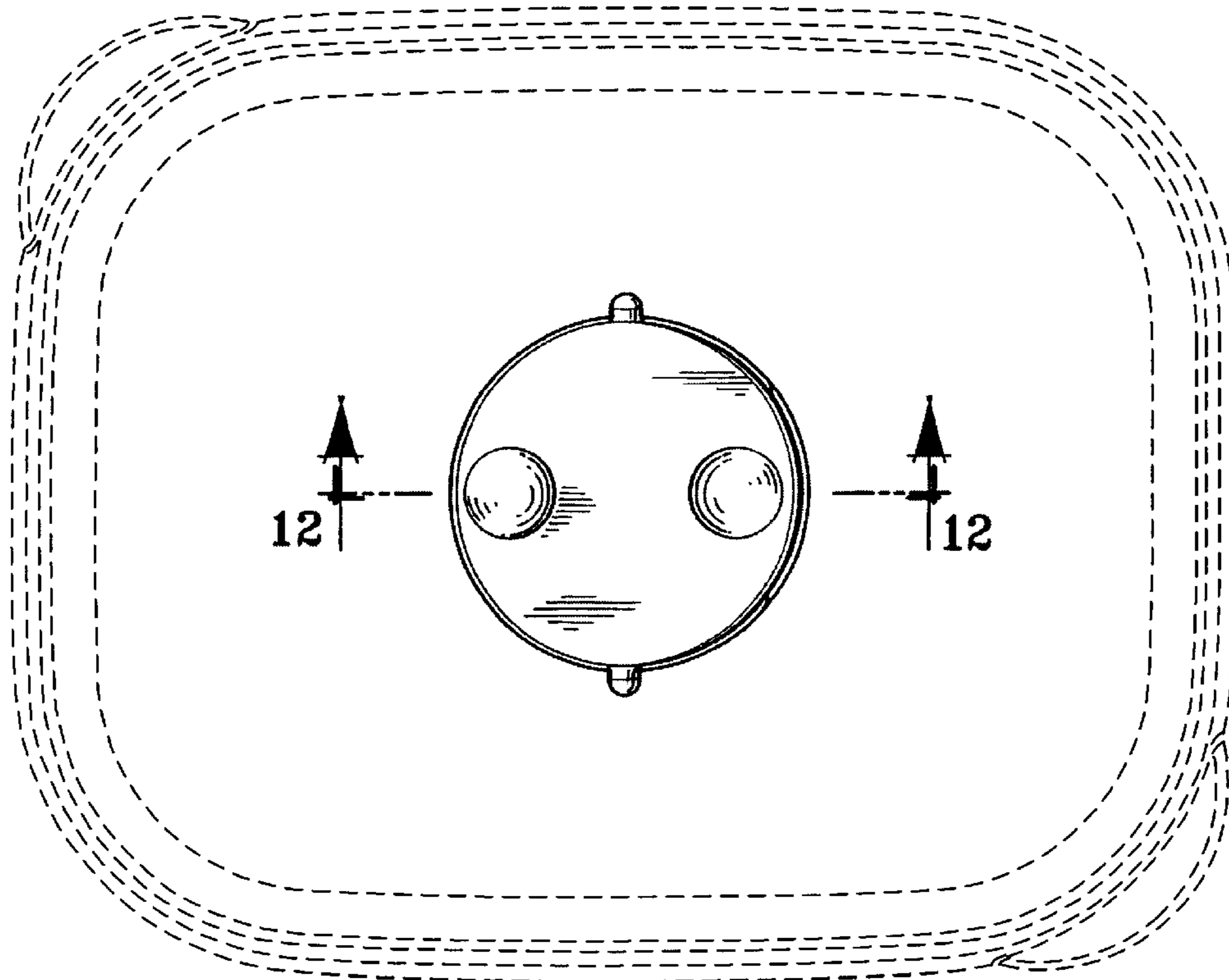


Fig. 5

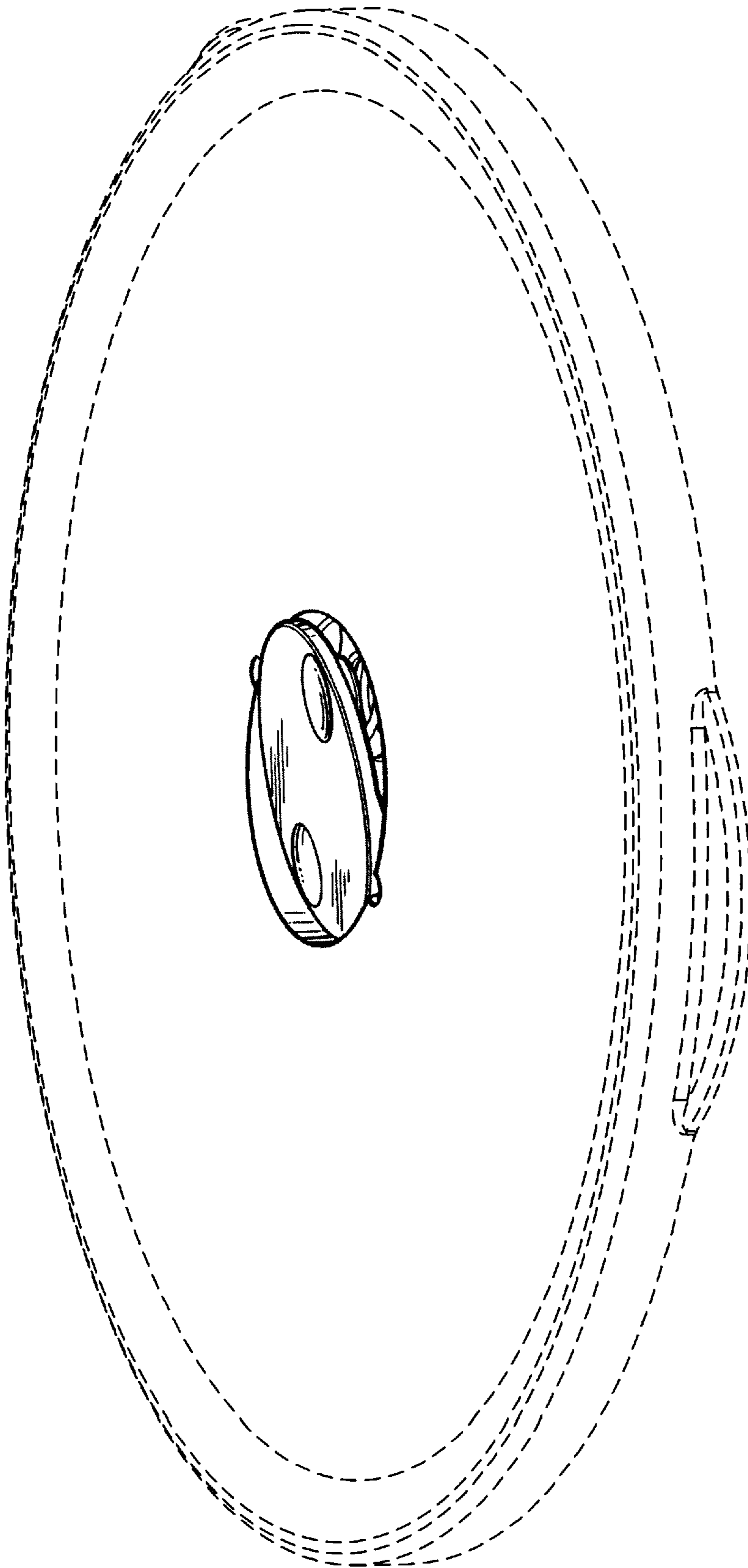


Fig. 6

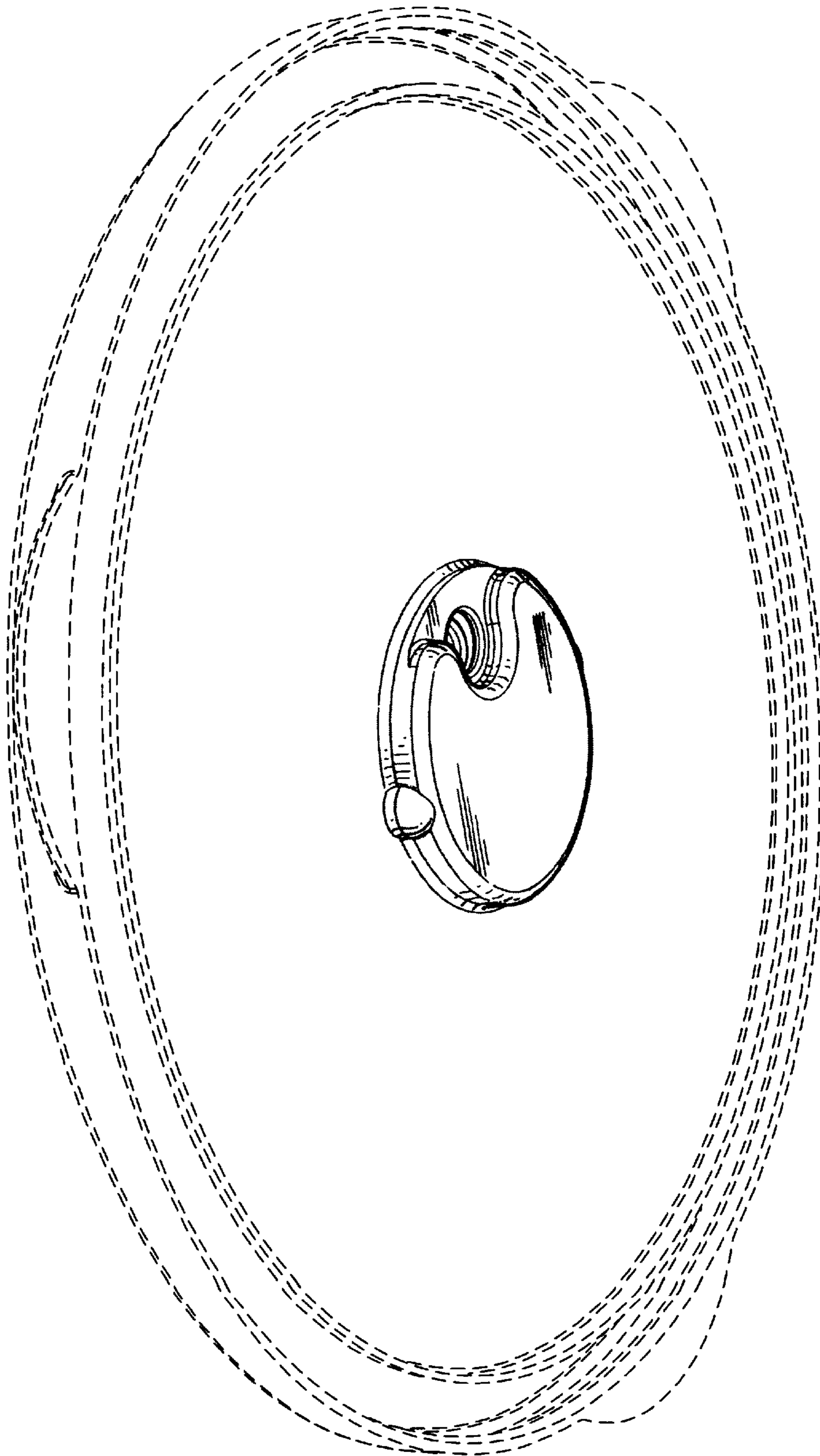


Fig. 7

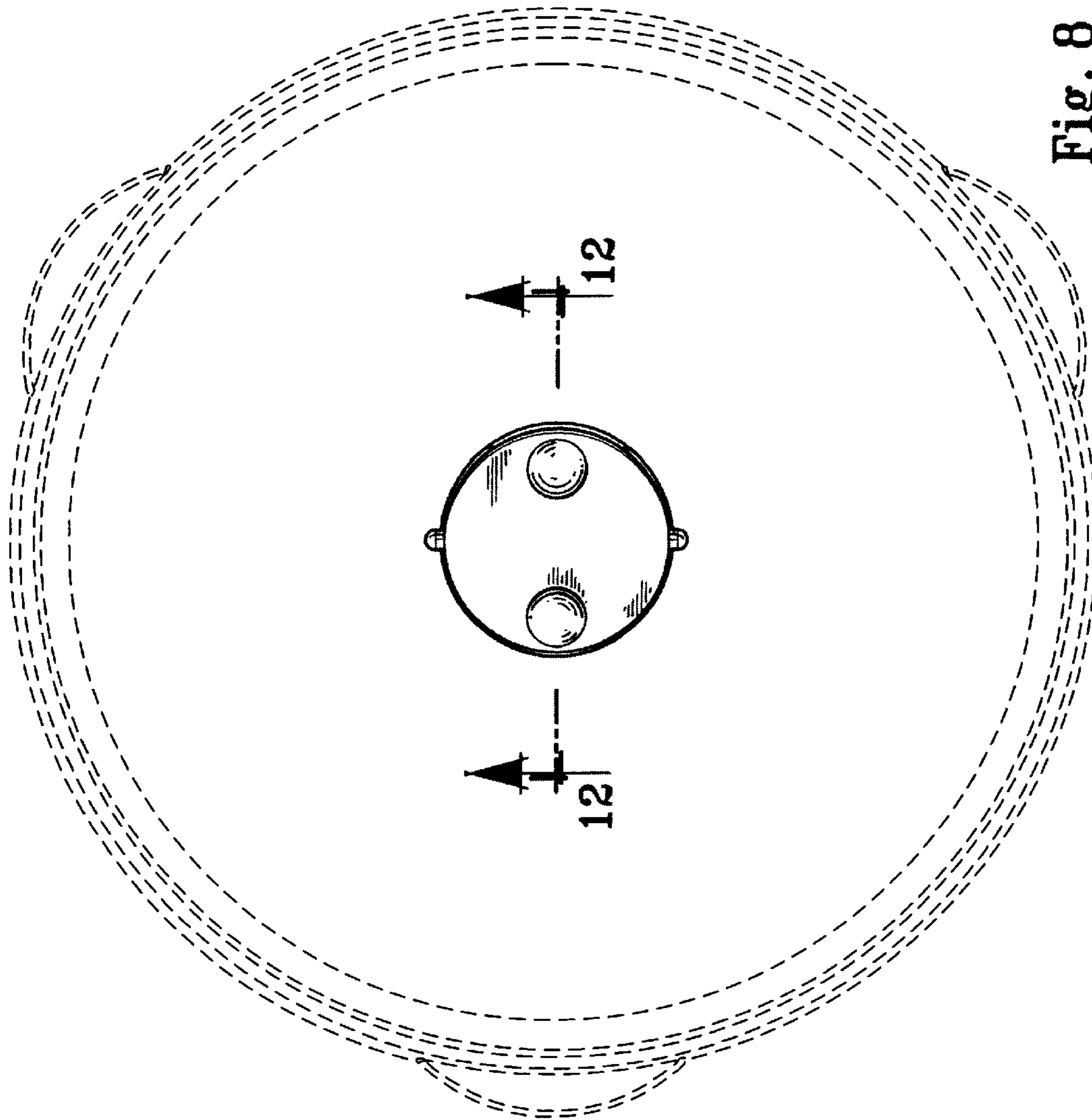


Fig. 8

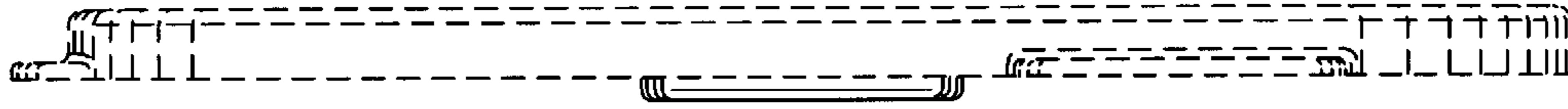


Fig. 9

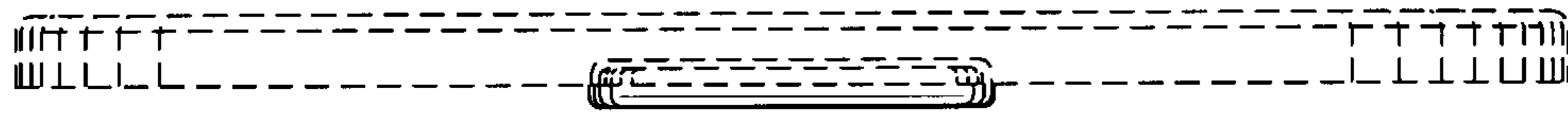


Fig. 10

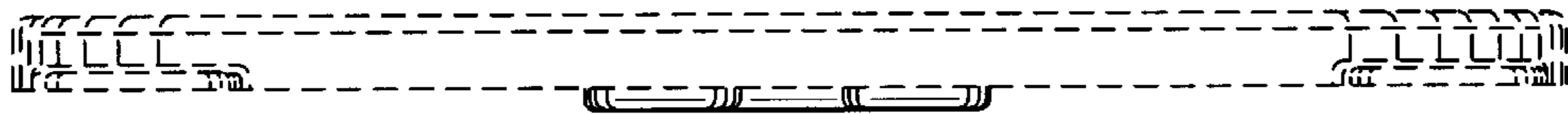


Fig. 11

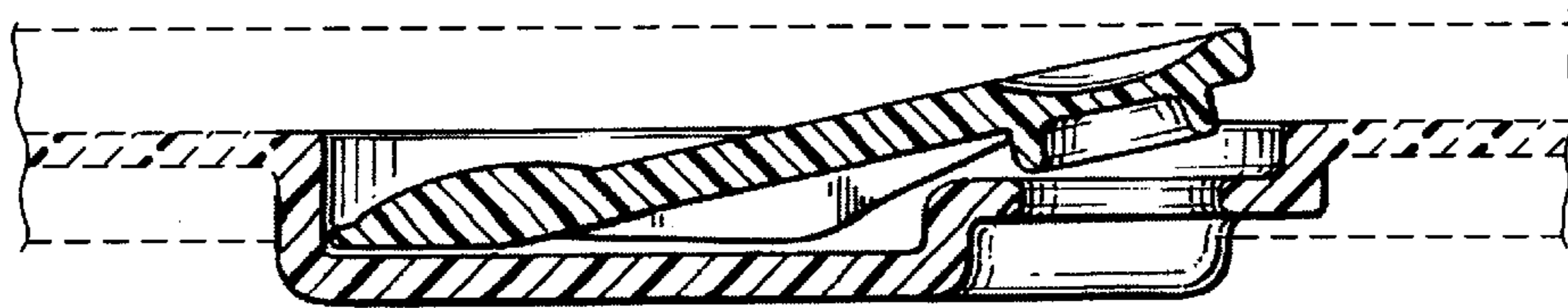


Fig. 12