



US00D527216S

(12) **United States Design Patent**
Menegon

(10) **Patent No.:** **US D527,216 S**

(45) **Date of Patent:** **** Aug. 29, 2006**

(54) **SERVING CART**

(76) **Inventor:** **Dario Menegon**, Via Rovereto, 20,
I-3606, Bassano del Grappa (IT)

(**) **Term:** **14 Years**

(21) **Appl. No.:** **29/198,405**

(22) **Filed:** **Jan. 30, 2004**

(30) **Foreign Application Priority Data**

Aug. 1, 2003 (IT) TV2003O0021

(51) **LOC (8) Cl.** **07-02**

(52) **U.S. Cl.** **D7/332**

(58) **Field of Classification Search** D7/332,
D7/334-337, 402-405, 346, 362-367; 126/25 R,
126/25 A, 25 AA, 40, 41 R, 38-39 R, 50,
126/304 R, 305, 9 R, 19 M, 245; 108/115;
99/450; 219/451.1, 452.11, 455.11, 385,
219/520, 450.1; 248/129, 188.6, 250, 439
See application file for complete search history.

(56) **References Cited**

U.S. PATENT DOCUMENTS

D182,743 S * 5/1958 Rodman D7/334

3,398,733 A * 8/1968 Bradley 126/25 A
D259,386 S * 6/1981 Mulder D7/334
D370,591 S * 6/1996 Maddox D7/334
D443,464 S * 6/2001 Davis D7/334
6,543,435 B1 * 4/2003 Regen et al. 126/25 R

* cited by examiner

Primary Examiner—Ruth McInroy

(74) *Attorney, Agent, or Firm*—Dykema Gossett PLLC

(57) **CLAIM**

I claim the ornamental design for a serving cart, as shown and described.

DESCRIPTION

FIG. 1 is a perspective view of a serving cart showing my new design;

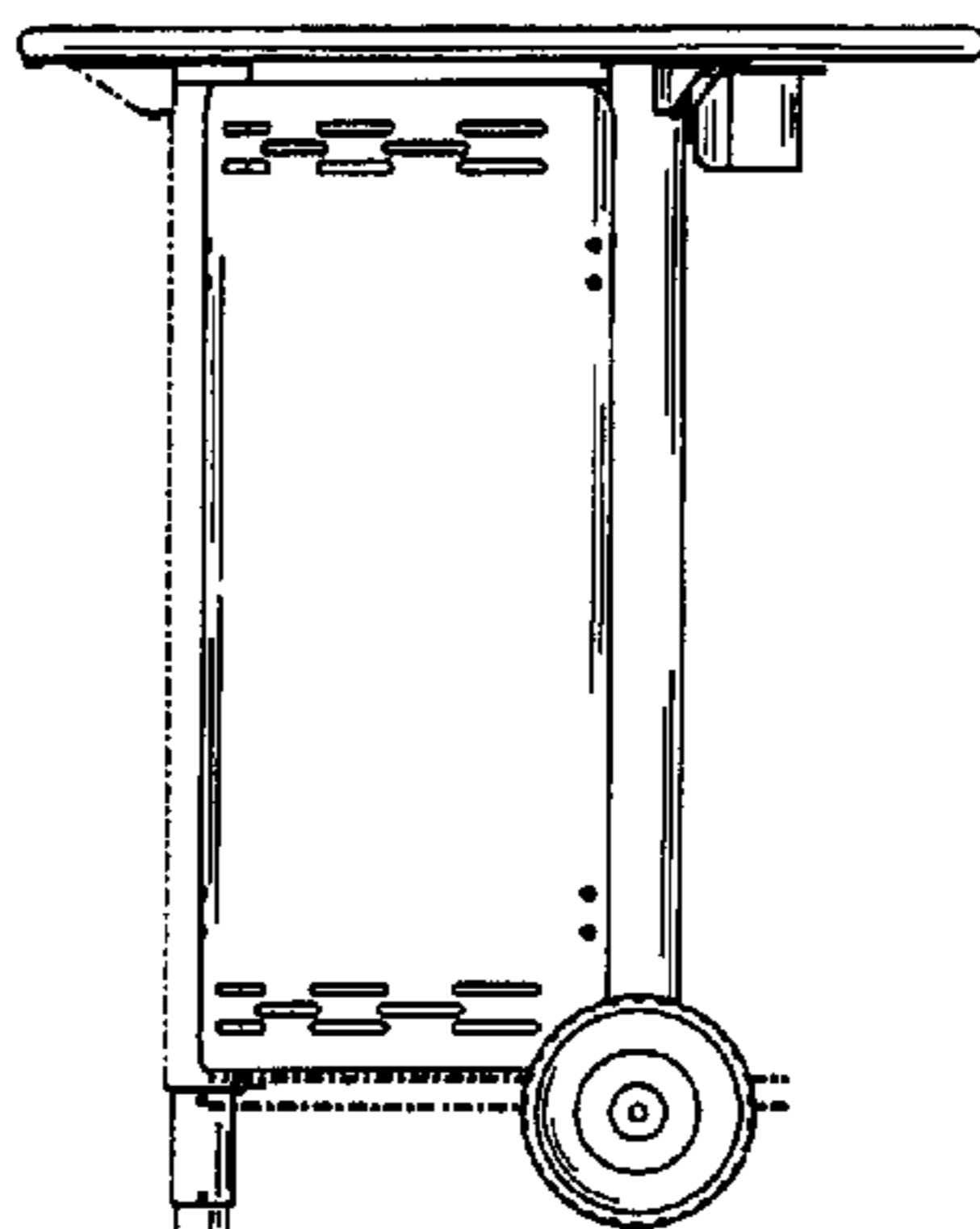
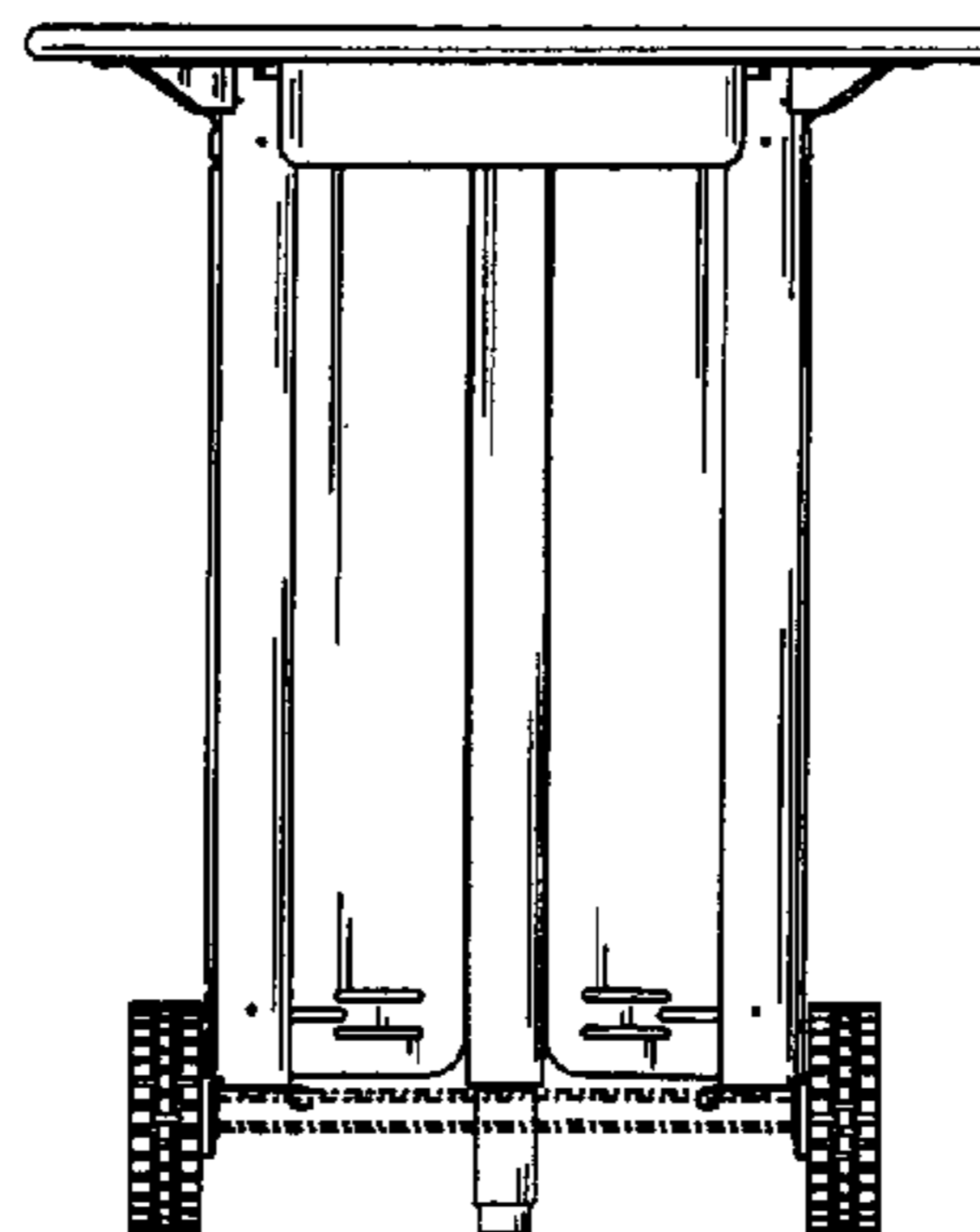
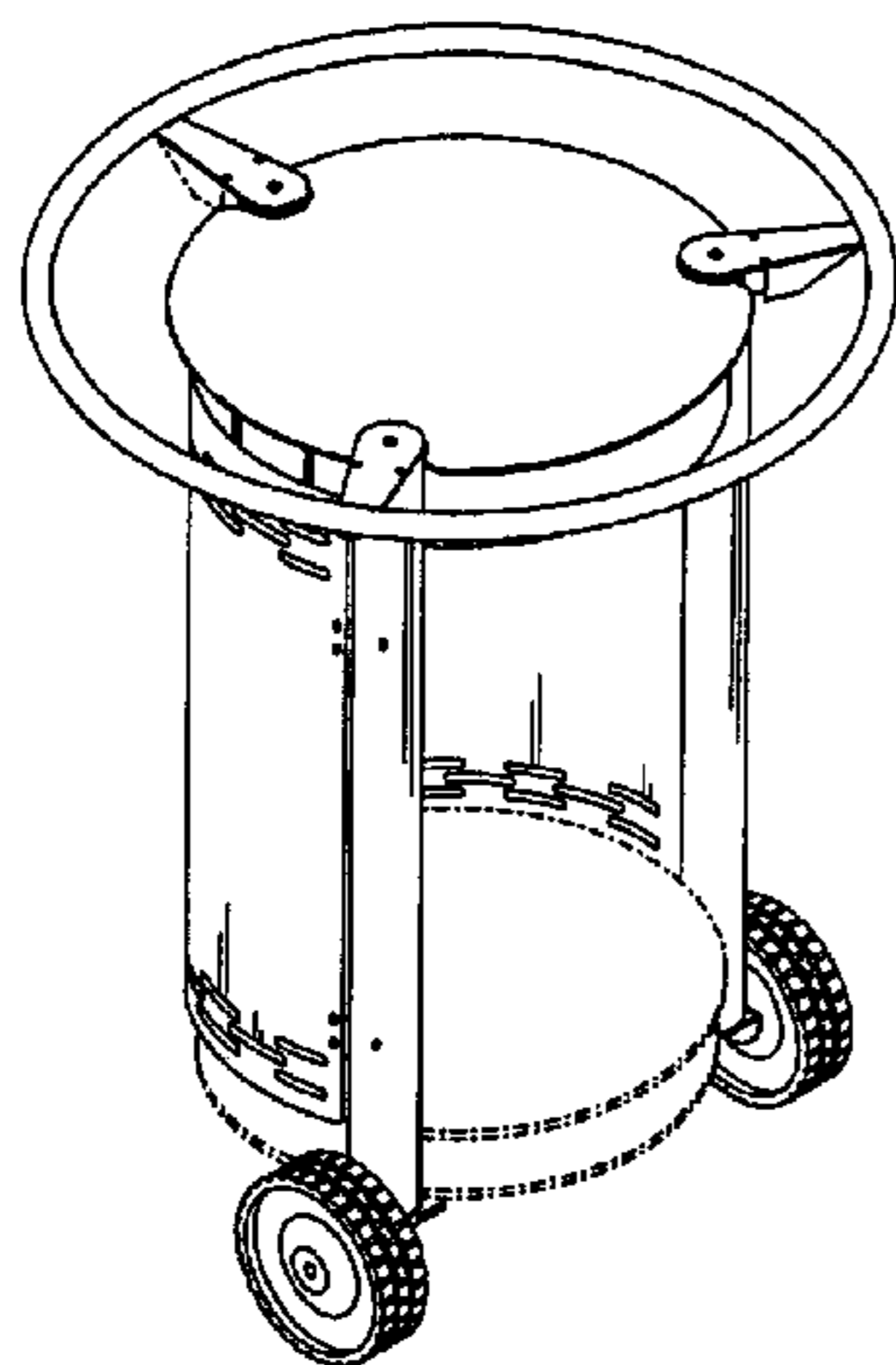
FIG. 2 is a front view thereof;

FIG. 3 is a left side view thereof, the right side view is a mirror image; and,

FIG. 4 is a top view thereof.

Dotted lines form no part of the design.

1 Claim, 2 Drawing Sheets



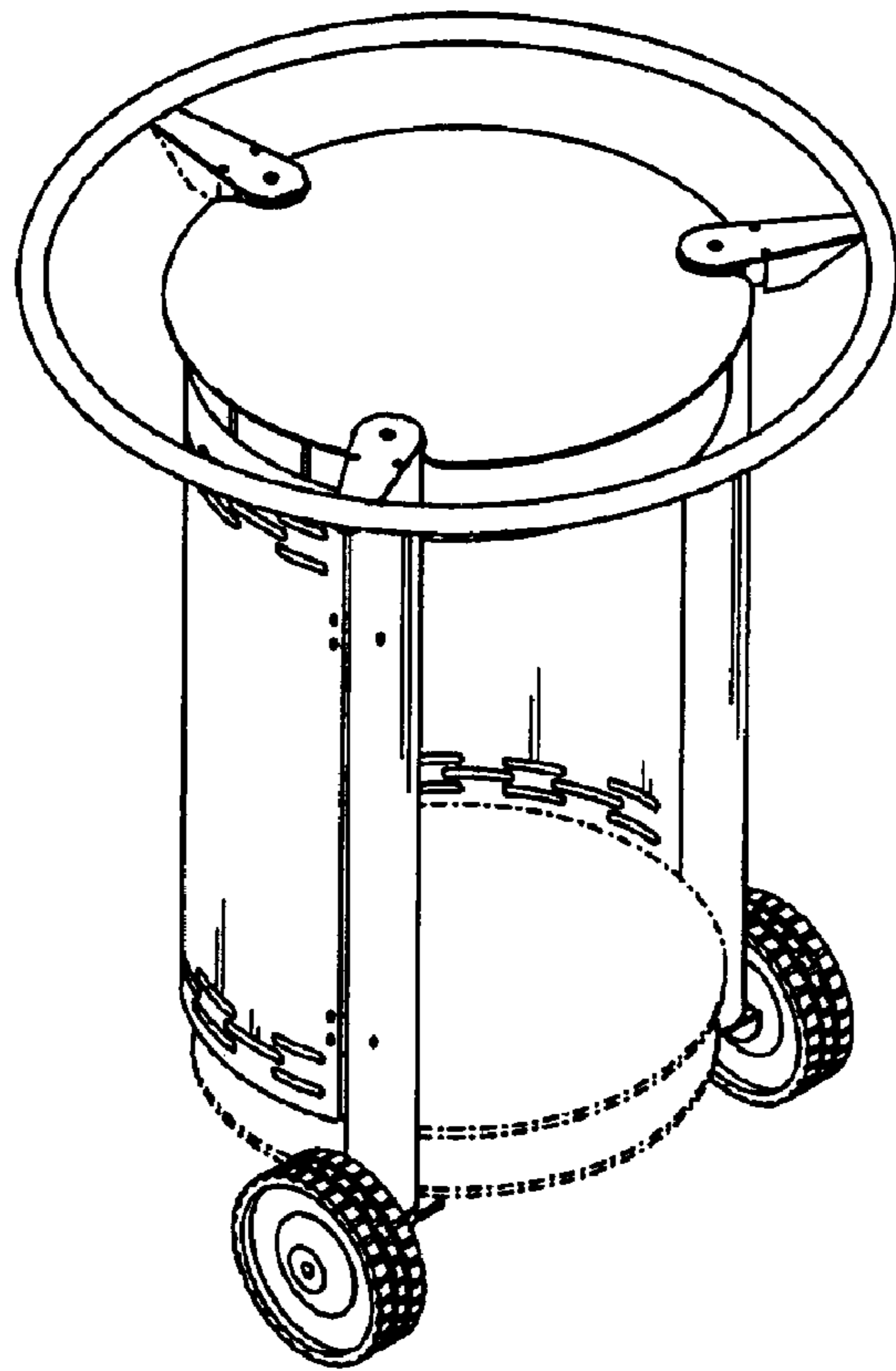


FIG. 1

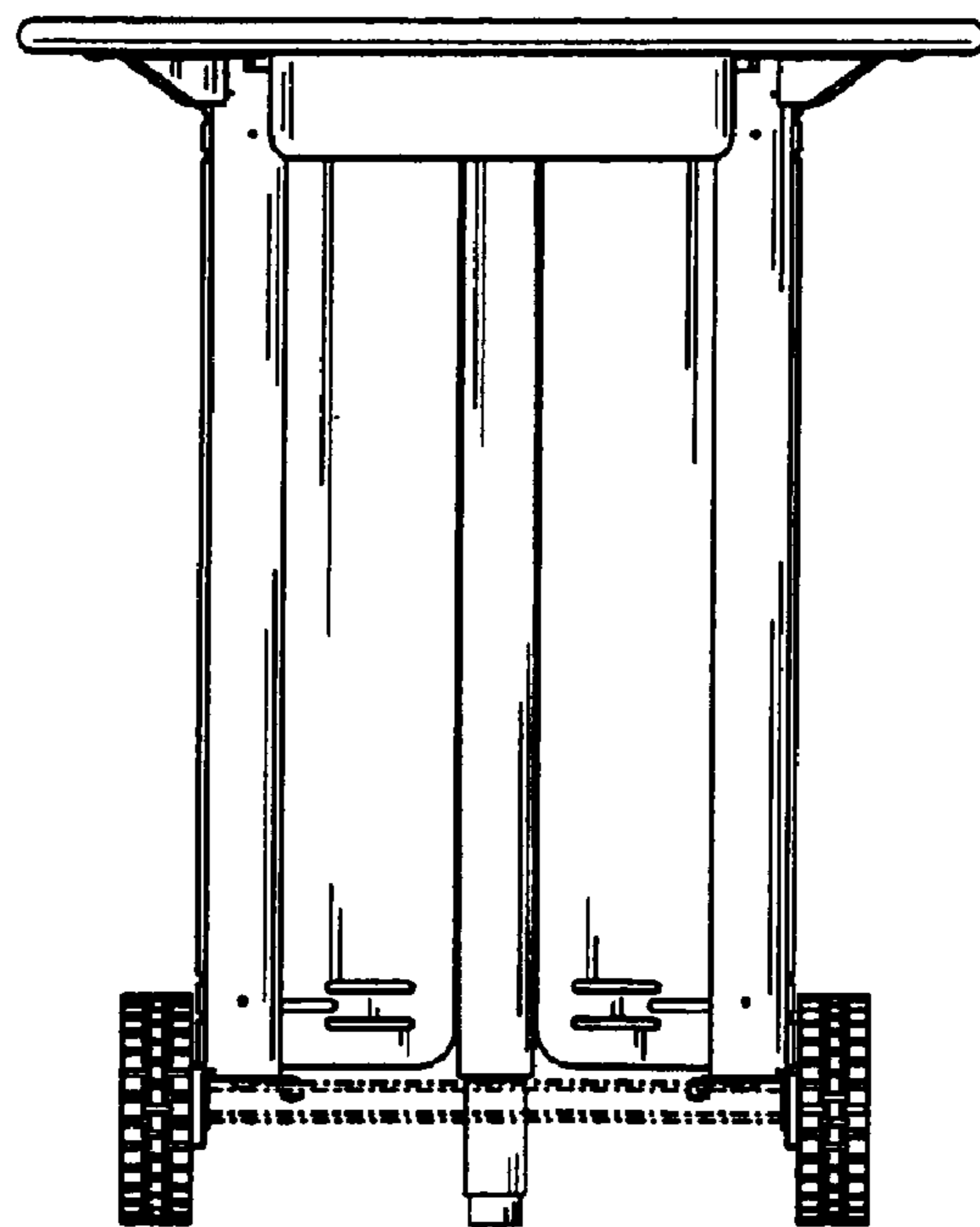


FIG. 2

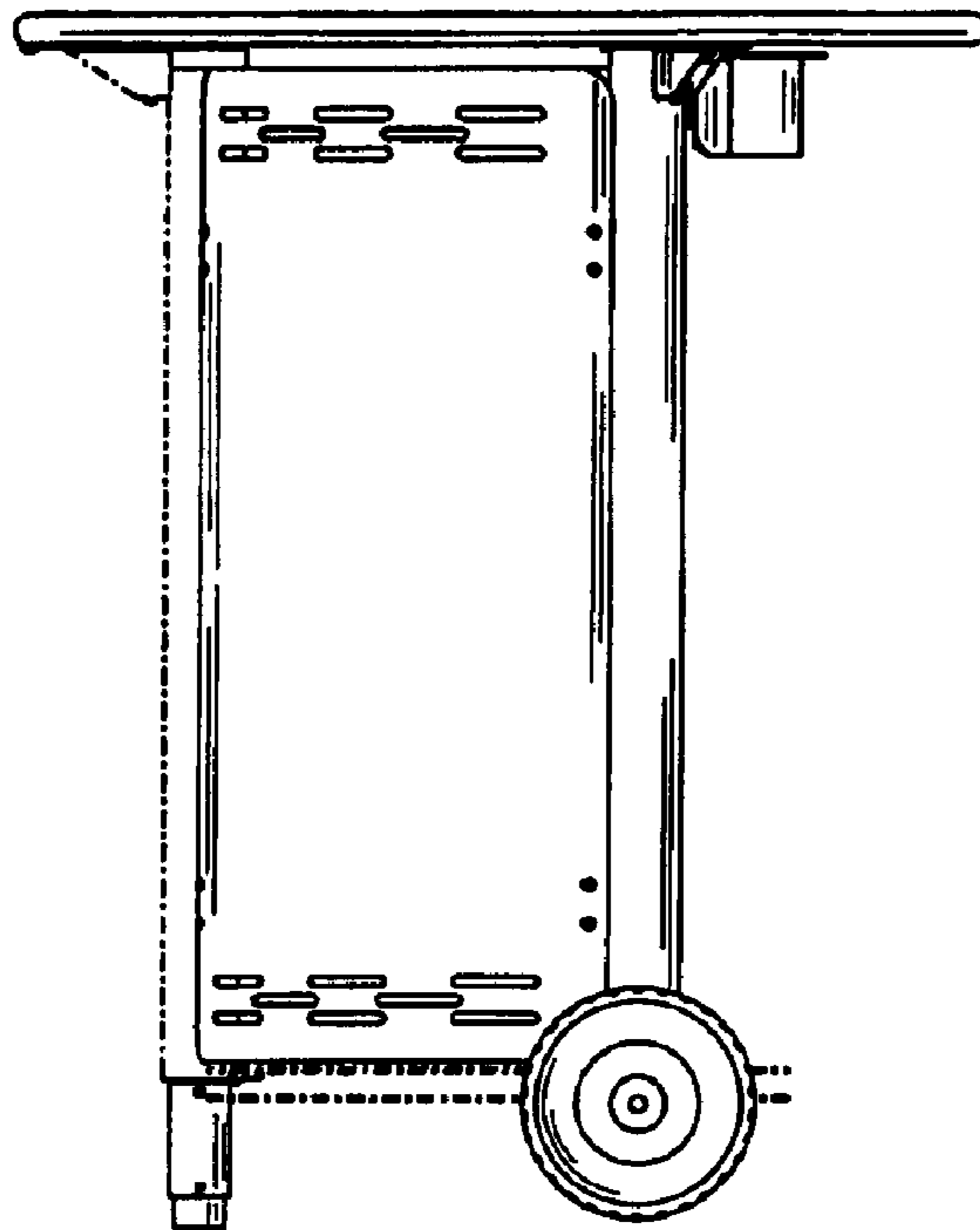


FIG. 3

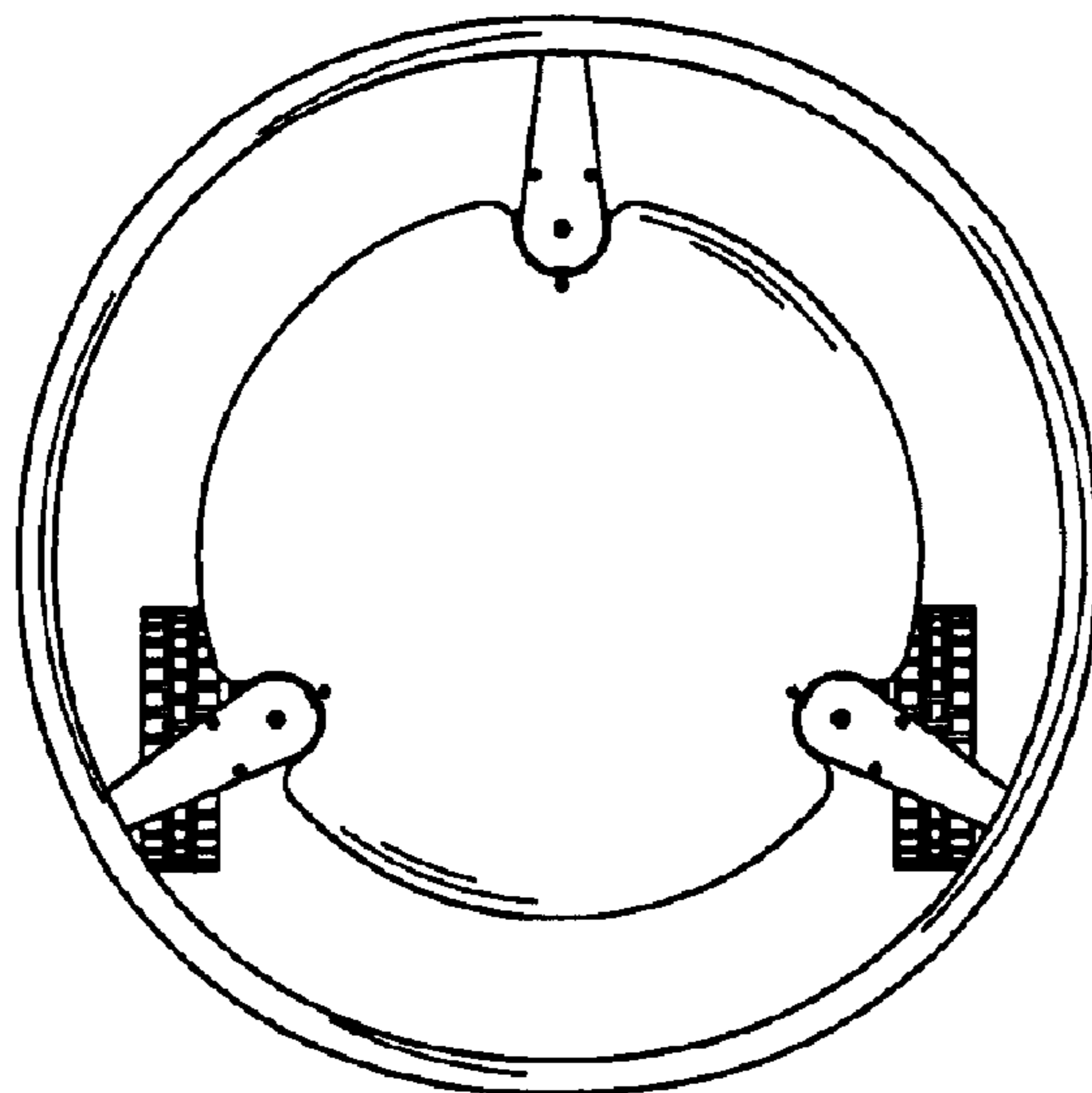


FIG. 4