

US00D527215S

(12) **United States Design Patent**  
**Dow et al.**

(10) **Patent No.:** **US D527,215 S**  
(45) **Date of Patent:** **\*\* Aug. 29, 2006**

(54) **POPCORN POPPER**

(75) Inventors: **Shannon Dow**, Berkeley, CA (US);  
**Sharon Ellen Kallenberger**, Alameda,  
CA (US)

(73) Assignee: **Charcoal Companion Incorporated**,  
Emeryville, CA (US)

(\*\*) Term: **14 Years**

(21) Appl. No.: **29/239,851**

(22) Filed: **Oct. 5, 2005**

(51) **LOC (8) Cl.** ..... **31-00**

(52) **U.S. Cl.** ..... **D7/325**

(58) **Field of Classification Search** ..... D7/323,  
D7/325, 354-361, 500; 99/323.4, 323.5,  
99/323.6, 323.7, 323.8, 323.9, 442; 219/433,  
219/441, 728-731, 735, 745, 762; 426/106,  
426/107, 110, 234, 241, 243

See application file for complete search history.

(56) **References Cited**

**U.S. PATENT DOCUMENTS**

171,032	A	12/1875	Meyers	
609,160	A *	8/1898	McWithey	99/323.5
1,380,579	A *	6/1921	Neff	219/436
1,382,592	A *	6/1921	Ames	220/485
1,430,511	A *	9/1922	Labadie	366/130
1,467,448	A *	9/1923	Page	366/333
1,638,493	A *	8/1927	Le Pere	220/345.4
1,660,540	A *	2/1928	Wulftange	220/345.2
1,701,959	A *	2/1929	Vroman	219/429
1,733,301	A *	10/1929	Hood	99/323.11
1,749,916	A *	3/1930	Le Pere	220/345.4
2,041,369	A *	5/1936	Pickett	366/130

D245,219	S *	8/1977	Christen, Jr.	D7/361
5,048,882	A	9/1991	Fielding et al.	
5,558,009	A	9/1996	Fabrikant et al.	
D513,874	S *	1/2006	Hardy et al.	D3/306

**FOREIGN PATENT DOCUMENTS**

FR 41391 1/1933

**OTHER PUBLICATIONS**

Charcoal Companion, Product Catalog, 2002, selected pages.

Charcoal Companion, Product Catalog, 2004, selected pages.

\* cited by examiner

*Primary Examiner*—Caron D. Veynar

*Assistant Examiner*—Ricky Pham

(74) *Attorney, Agent, or Firm*—Donald L. Beeson; Beeson Skinner Beverly, LLP

(57) **CLAIM**

The ornamental design for a popcorn popper, as shown and described.

**DESCRIPTION**

FIG. 1 is a top perspective view of a popcorn popper showing our new design;

FIG. 2 is a right side elevational view thereof, the left side being a mirror image;

FIG. 3 is a front elevational view thereof;

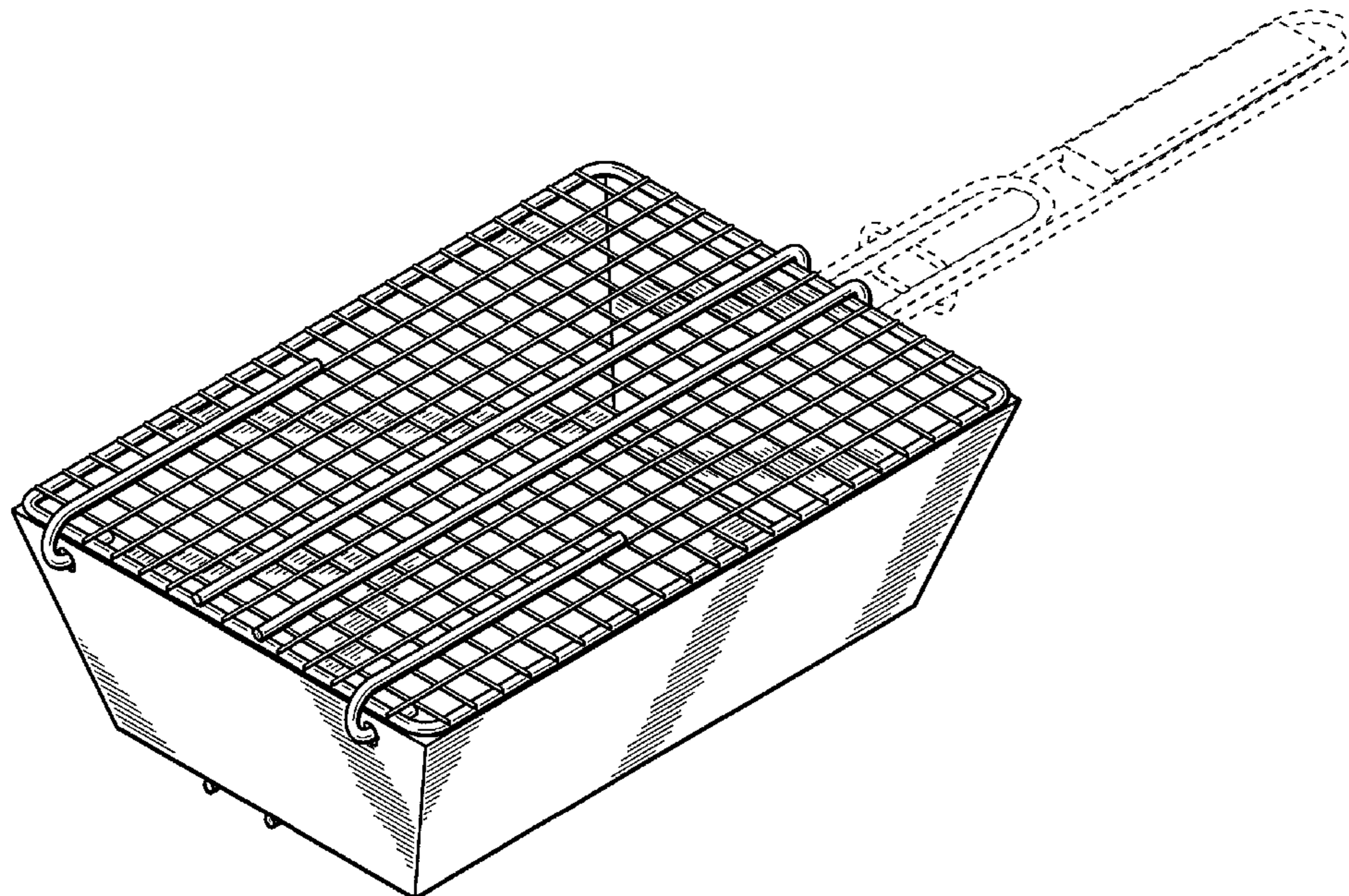
FIG. 4 is a rear elevational view thereof;

FIG. 5 is a top plan view thereof; and,

FIG. 6 is a bottom plan view thereof.

The broken lines in FIGS. 1, 2, 4-6 are for illustrative purposes only and form no part of our claimed design

**1 Claim, 3 Drawing Sheets**





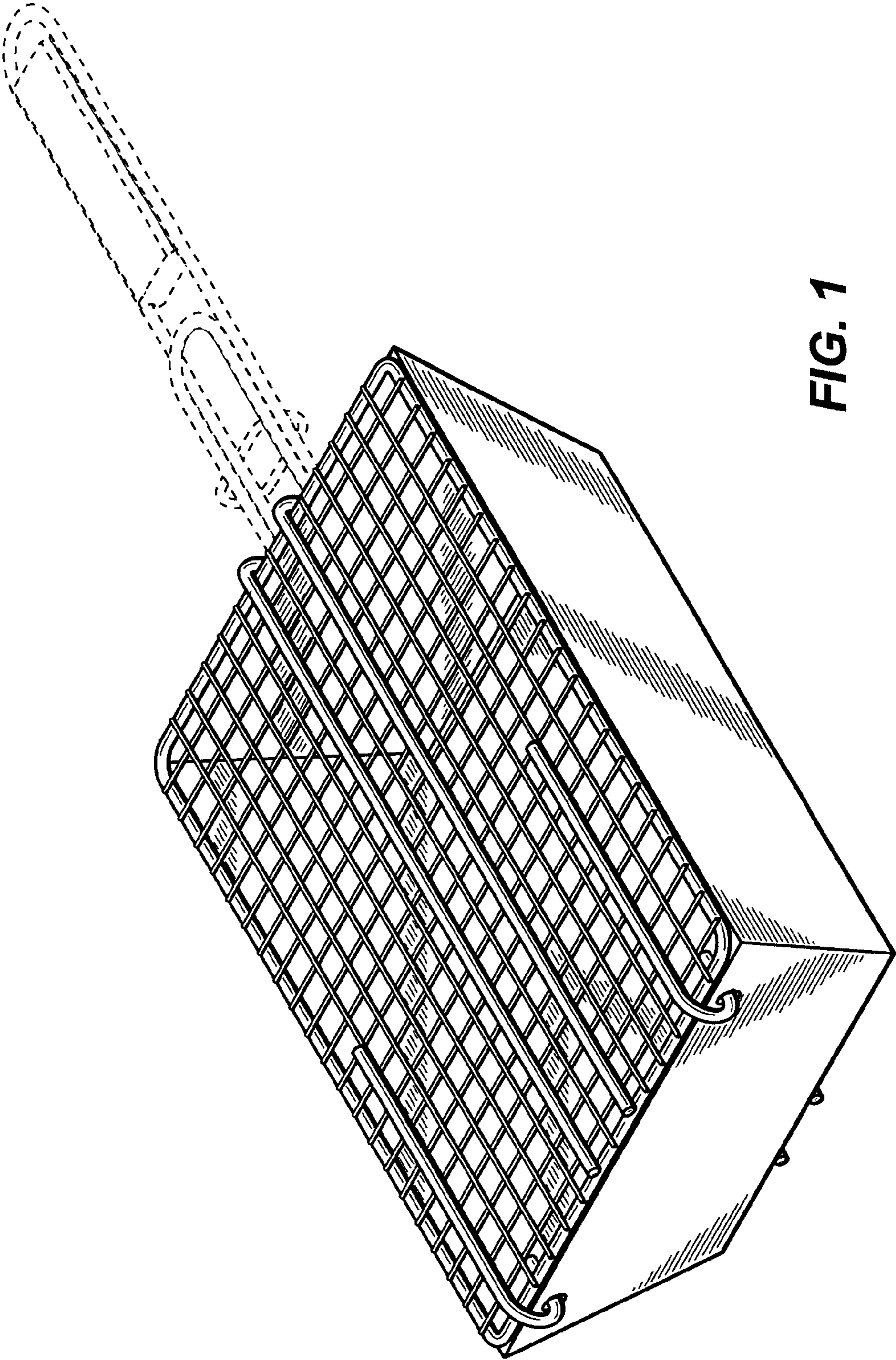
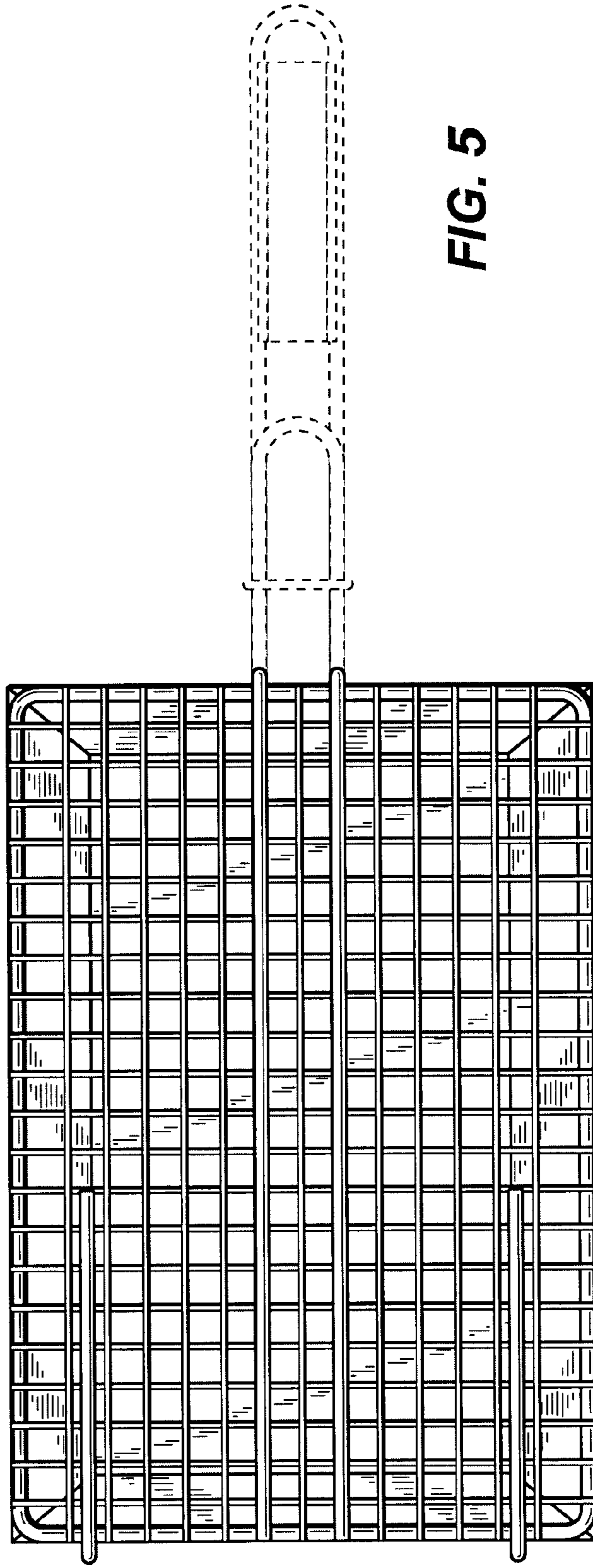
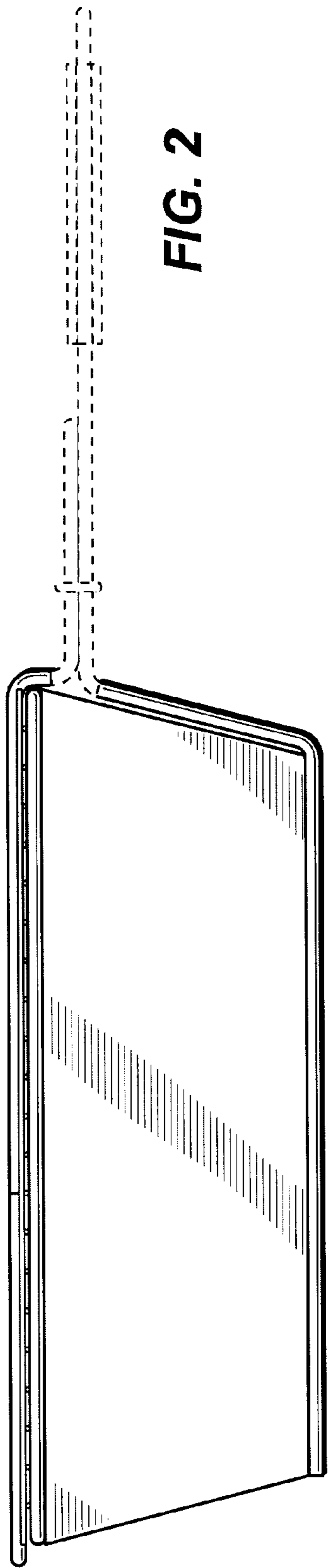


FIG. 1



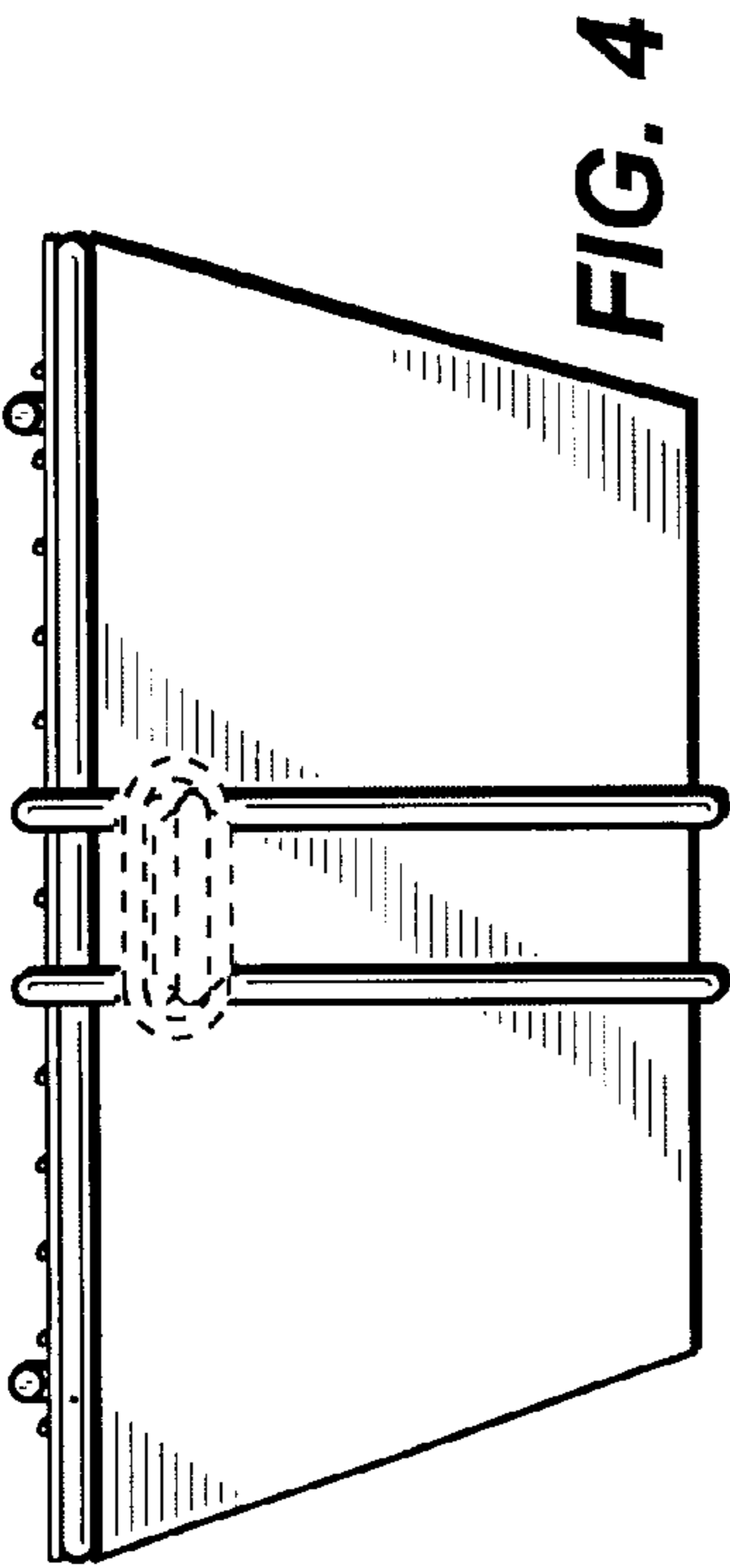


FIG. 4

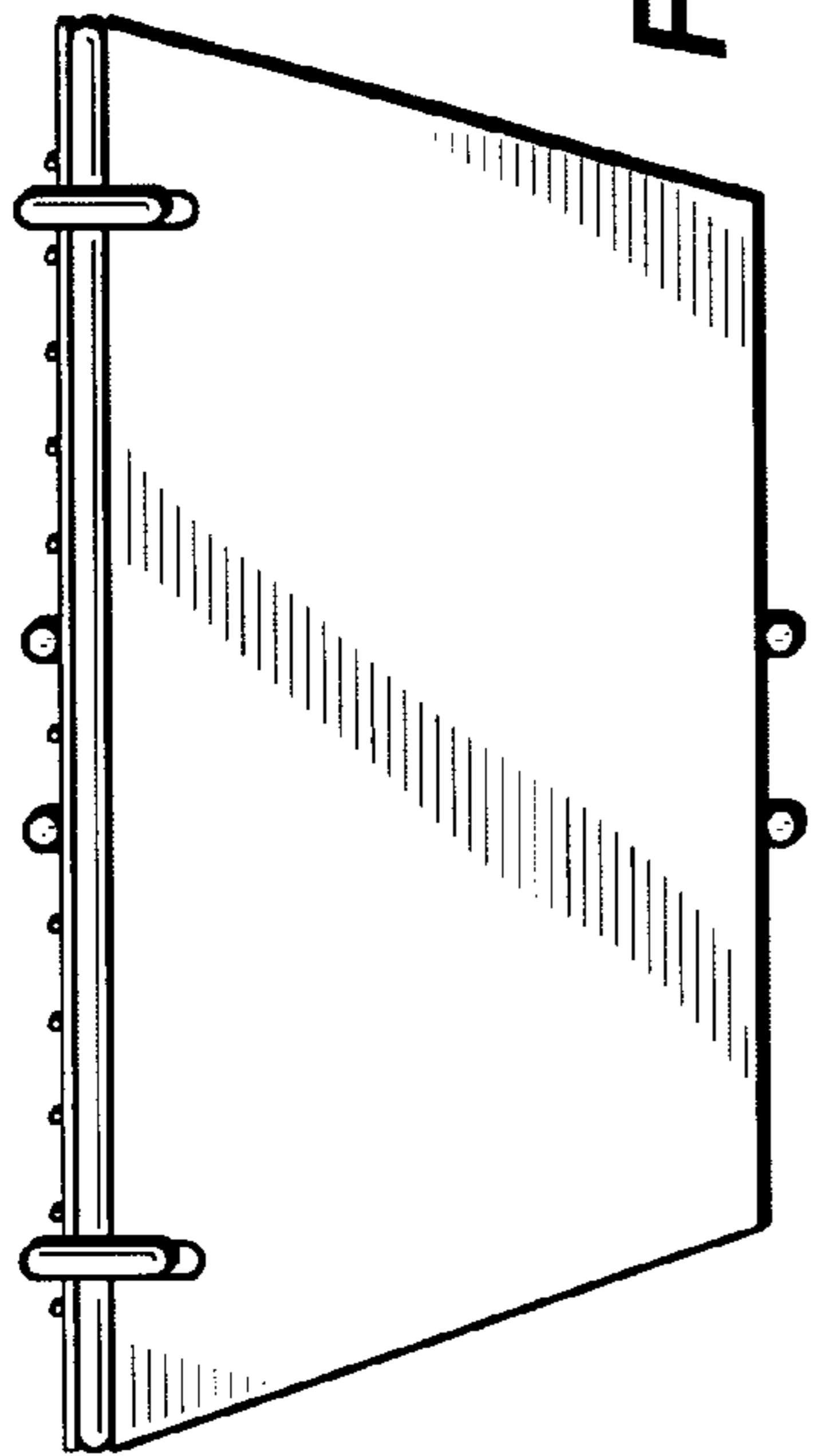


FIG. 3

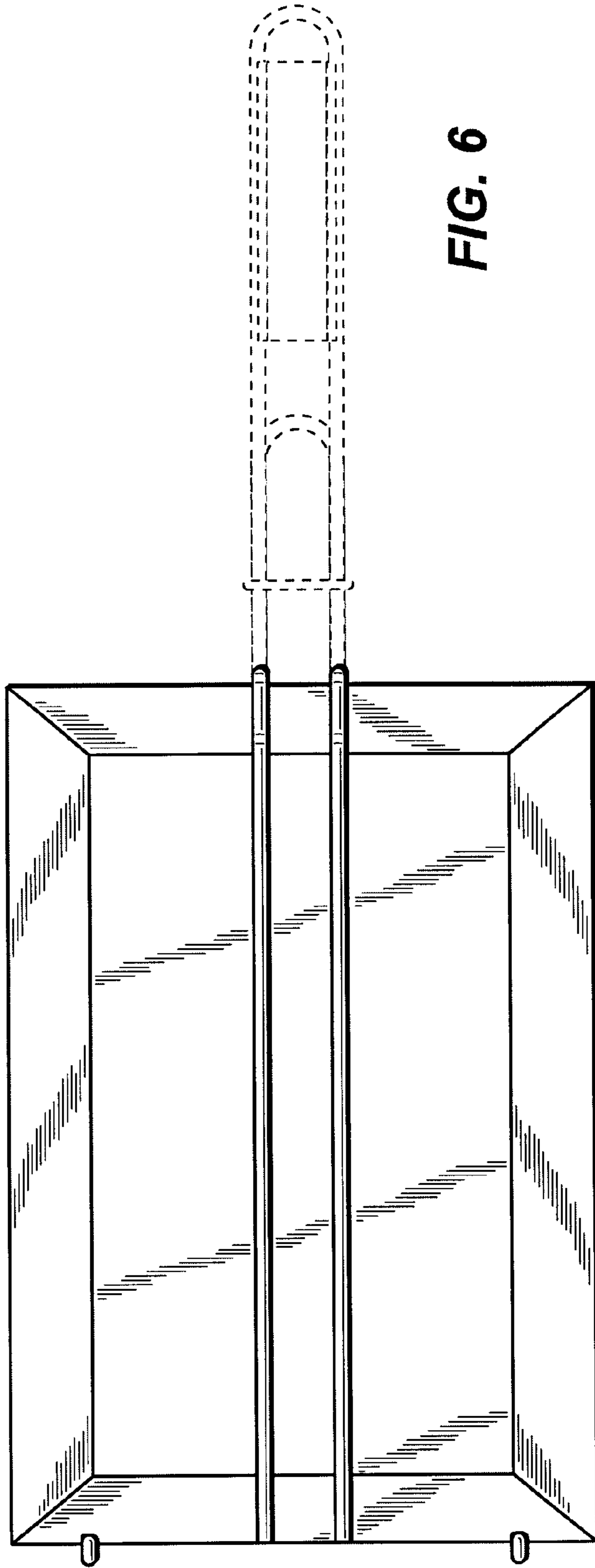


FIG. 6