



US00D527213S

(12) **United States Design Patent**
Axhamre

(10) **Patent No.:** **US D527,213 S**

(45) **Date of Patent:** **** Aug. 29, 2006**

(54) **BASKET FOR MERCHANDISING DISPLAY**

(56) **References Cited**

(76) **Inventor:** **Frans Lennart Axhamre**, Varbersvägen
2141, SE-430 30 Frillesås (SE)

U.S. PATENT DOCUMENTS

(**) **Term:** **14 Years**

D191,812 S	*	11/1961	Tirlet	D6/458
3,833,128 A	*	9/1974	Sumner	211/131.1
4,858,772 A	*	8/1989	Phillipson	211/36
6,502,707 B1	*	1/2003	Sullivan	211/163
D482,213 S	*	11/2003	Cohon	D6/465

(21) **Appl. No.:** **29/244,203**

(22) **Filed:** **Dec. 7, 2005**

* cited by examiner

Related U.S. Application Data

Primary Examiner—Janice E. Seeger

(62) Division of application No. 29/198,995, filed on Feb. 6, 2004.

Assistant Examiner—Sydney R. Buffalow

(51) **LOC (8) Cl.** **06-07**

(74) *Attorney, Agent, or Firm*—Howson and Howson

(52) **U.S. Cl.** **D6/511**

(57) **CLAIM**

(58) **Field of Classification Search** D6/458,
D6/511, 465, 460, 463, 464, 461; 211/163,
211/34, 36, 37, 78, 166, 181.1, 205, 196,
211/144, 187, 133.5, 131.5

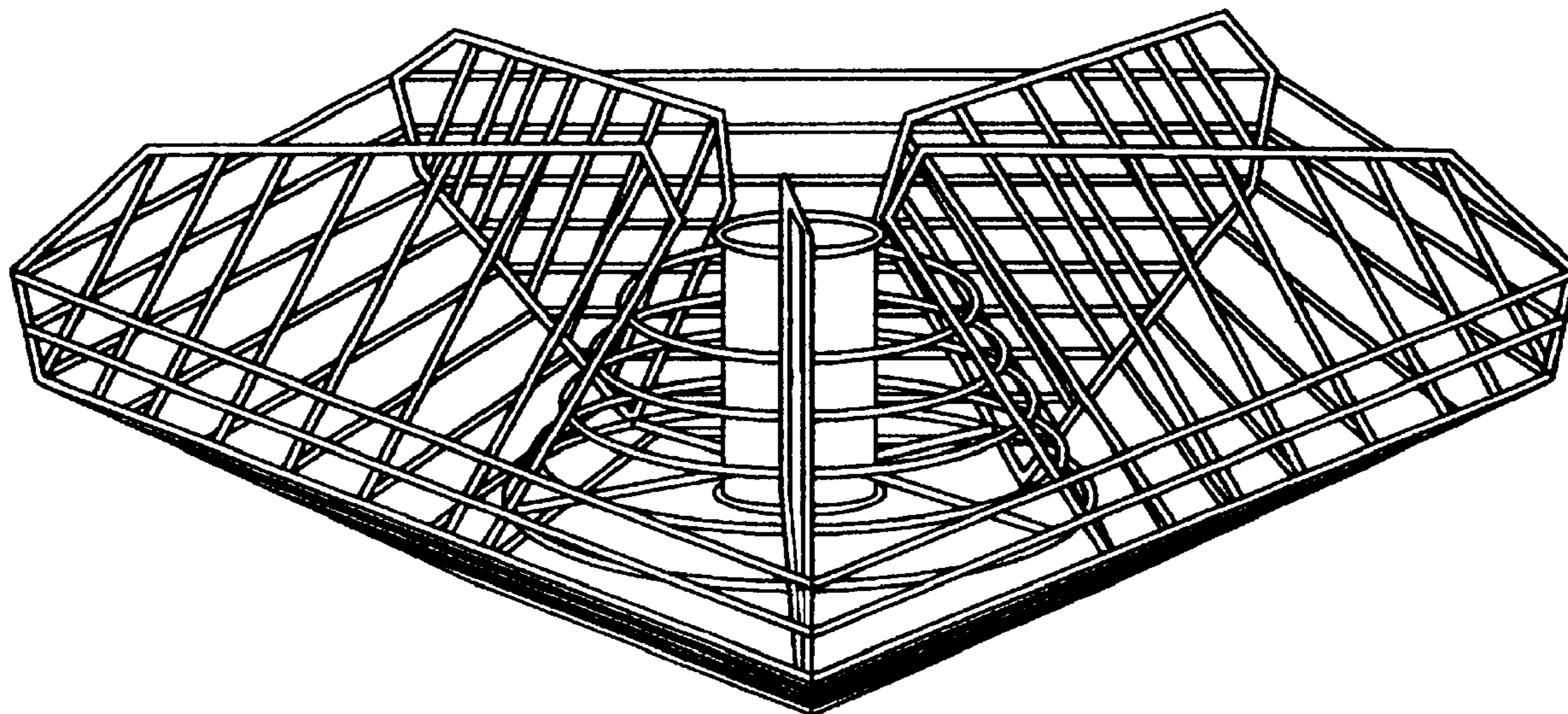
The ornamental design for a basket for merchandising display, as shown and described.

See application file for complete search history.

DESCRIPTION

The FIGURE is a perspective view of a basket for merchandising display showing my new design.

1 Claim, 1 Drawing Sheet



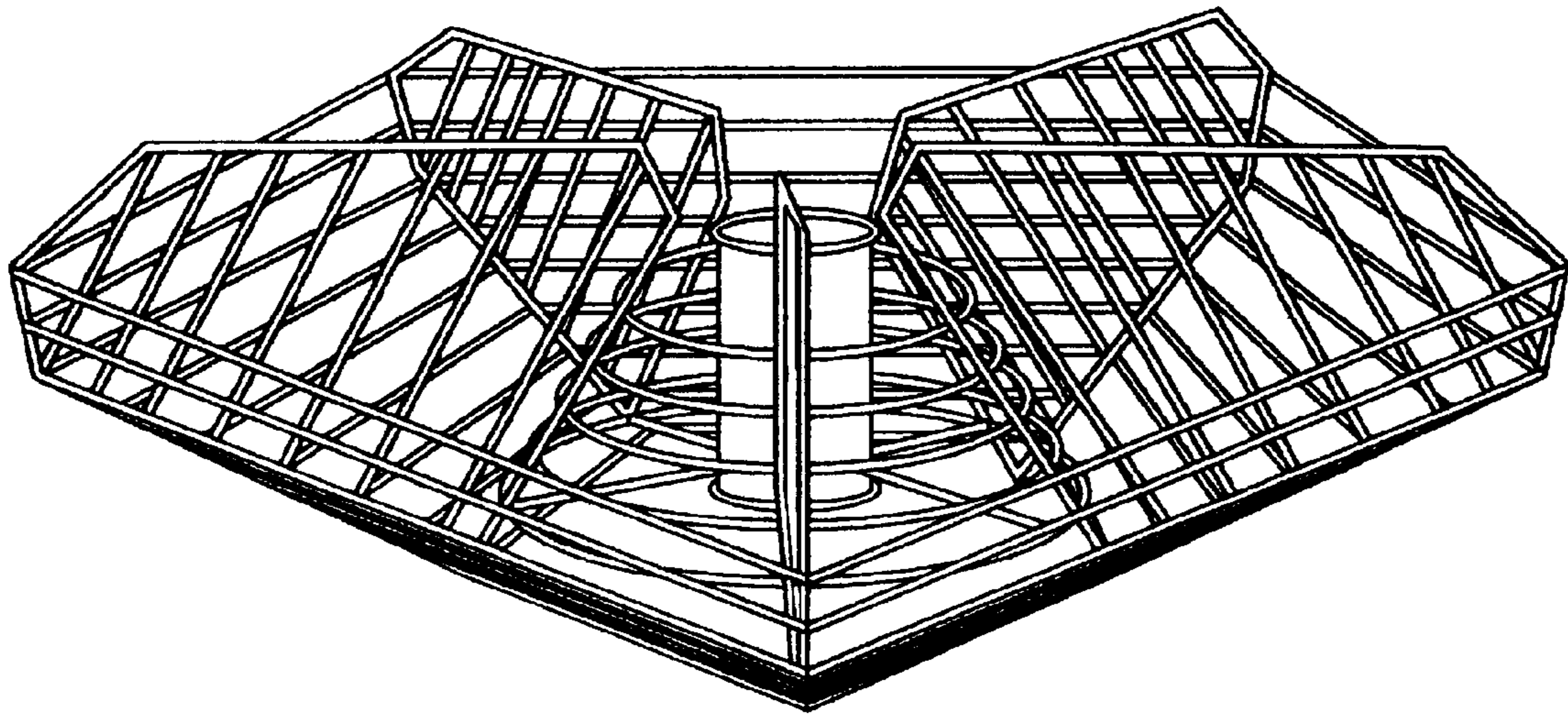


Fig. 1