



US00D527212S

(12) **United States Design Patent**
Schmidt et al.

(10) **Patent No.:** **US D527,212 S**

(45) **Date of Patent:** **** Aug. 29, 2006**

(54) **MODULAR CABINET**

(75) Inventors: **Duane A. Schmidt**, Newburgh, IN (US); **Allan R. Steinkuhl**, Evansville, IN (US); **Joseph L. Coleman**, Evansville, IN (US)

(73) Assignee: **Whirlpool Corporation**, Benton Harbor, MI (US)

(**) Term: **14 Years**

(21) Appl. No.: **29/227,572**

(22) Filed: **Apr. 13, 2005**

Related U.S. Application Data

(62) Division of application No. 29/217,110, filed on Nov. 12, 2004, now Pat. No. Des. 515,342.

(51) **LOC (8) Cl.** **06-06**

(52) **U.S. Cl.** **D6/510**

(58) **Field of Classification Search** D34/1, D34/12, 27; D14/189, 193, 432, 396-397; D6/441, 443, 446, 448, 510, 445; 312/334.41, 312/334.46, 218
See application file for complete search history.

(56) **References Cited**

U.S. PATENT DOCUMENTS

982,767 A * 1/1911 Dunham 312/218
5,292,191 A * 3/1994 Slivon 312/332.1

D349,043 S * 7/1994 Carlson et al. D8/375
D413,457 S * 9/1999 Verbeek et al. D6/445
D419,333 S * 1/2000 Verbeek et al. D6/445
D459,611 S * 7/2002 Lio et al. D6/432

* cited by examiner

Primary Examiner—Holly Baynham

(74) *Attorney, Agent, or Firm*—Stephen Krefman; Robert O. Rice; John F. Colligan

(57) **CLAIM**

The ornamental design for a modular cabinet, as shown and described.

DESCRIPTION

FIG. 1 is a left front perspective view of the design of the modular cabinet;

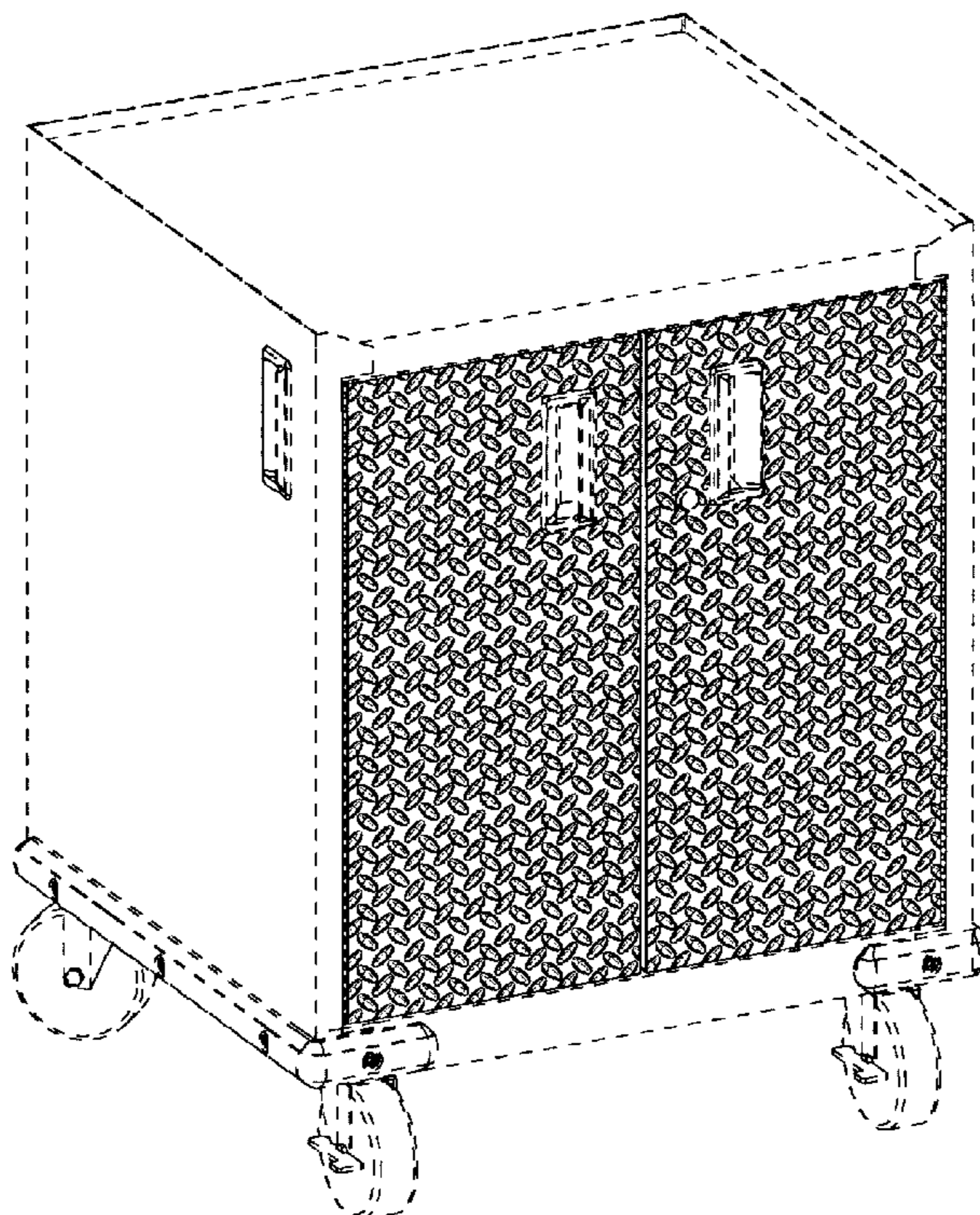
FIG. 2 is a front elevational view thereof. The ornamental design is not visible in a rear view, top plan view or bottom view; and,

FIG. 3 is an enlarged view of the pattern on the modular cabinet doors of the embodiment of FIG. 1.

The characteristic feature of the ornamental design resides in the use of a pattern on the modular cabinet doors.

Those portions of modular cabinet in broken lines, specifically the surfaces of the modular cabinet at the top and bottom edges of the doors and surfaces extending back from the doors including other surfaces of the modular cabinet are for illustrative purposes only and are not part of the claimed invention.

1 Claim, 2 Drawing Sheets



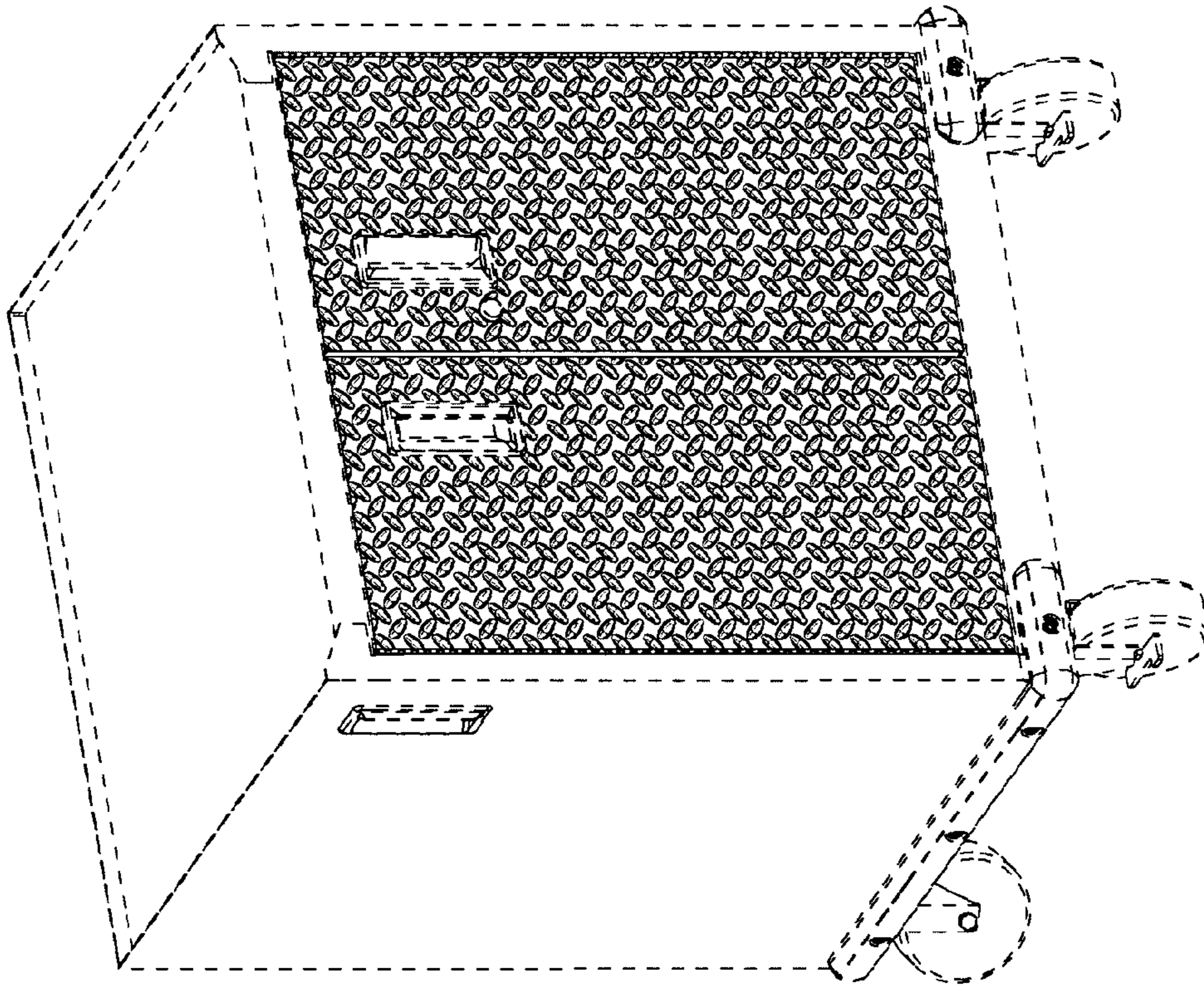


Fig. 1

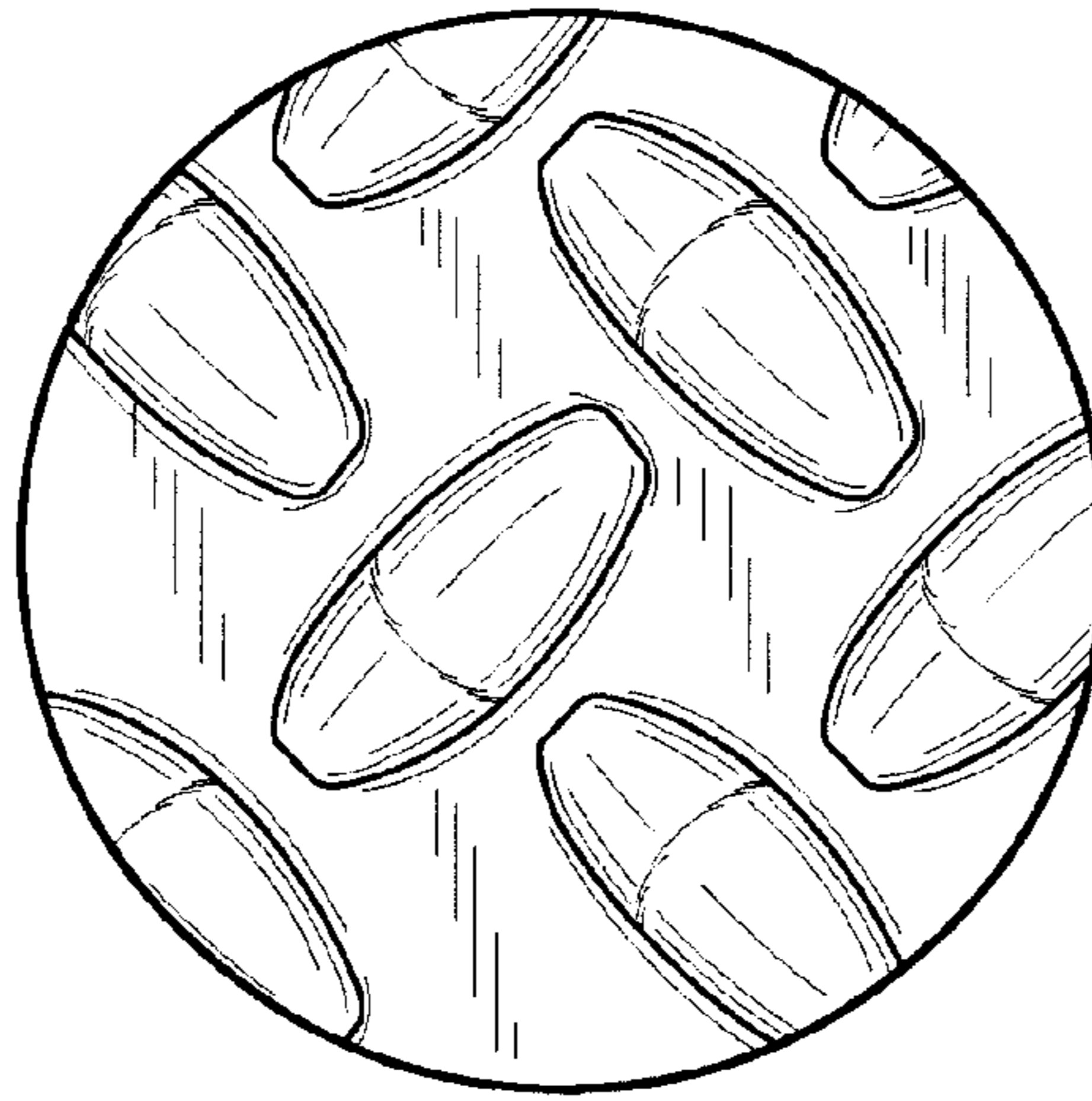


Fig. 3

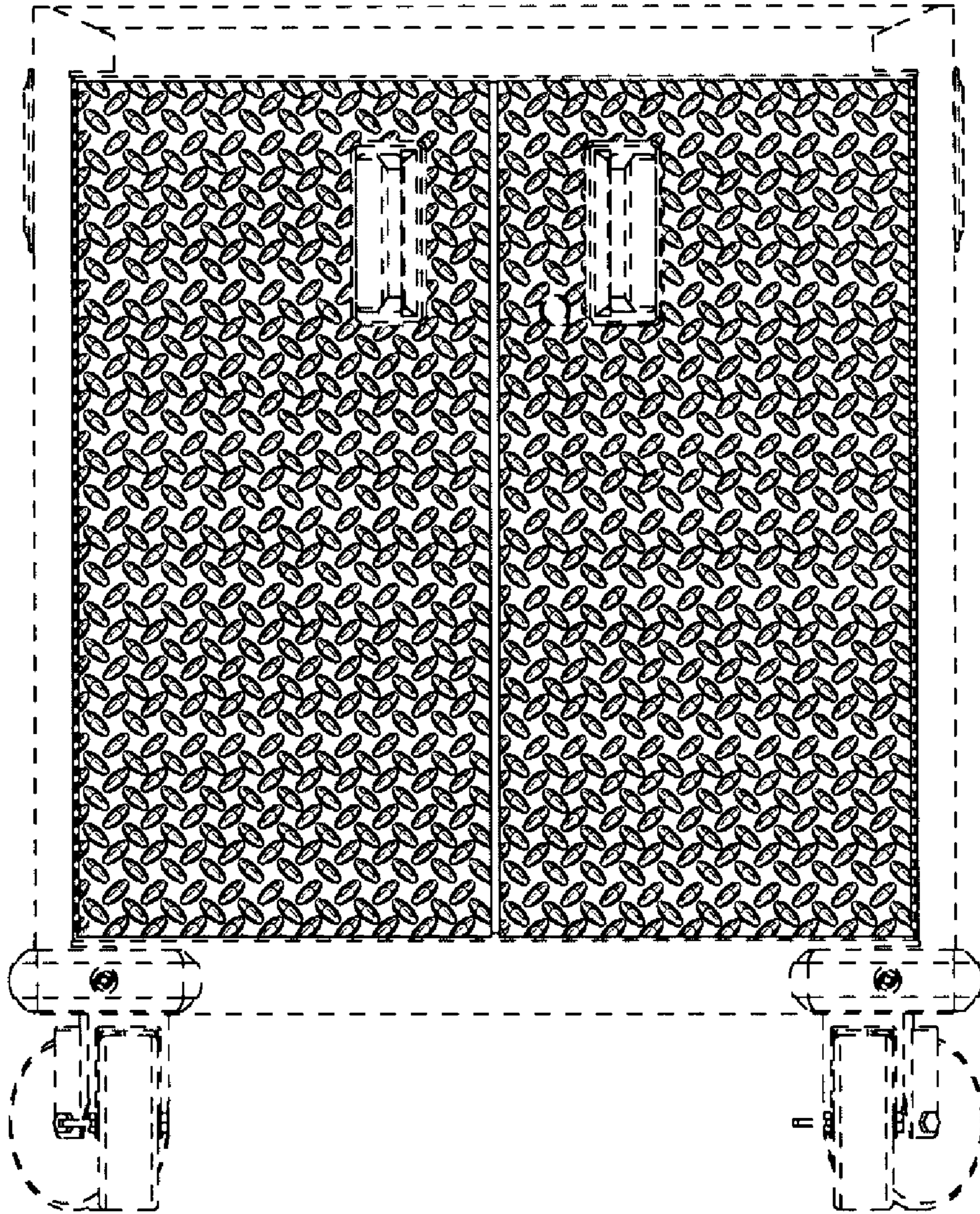


Fig. 2

UNITED STATES PATENT AND TRADEMARK OFFICE
CERTIFICATE OF CORRECTION

PATENT NO. : Des. 527,212 S
APPLICATION NO. : 29/227572
DATED : August 29, 2006
INVENTOR(S) : Duane A. Schmidt et al.

Page 1 of 1

It is certified that error appears in the above-identified patent and that said Letters Patent is hereby corrected as shown below:

On the Title Page, Item 62, under "Related U.S. Application Data", add the following to the end of the sentence: --; which is a division of design application 29/173,444 filed on Dec. 30, 2002, now Pat. No. Des. 503,839--.

Signed and Sealed this

Eleventh Day of November, 2008

A handwritten signature in black ink that reads "Jon W. Dudas". The signature is written in a cursive style with a large, looped initial "J".

JON W. DUDAS

Director of the United States Patent and Trademark Office