

US00D527210S

(12) **United States Design Patent**
Berry et al.

(10) **Patent No.:** **US D527,210 S**

(45) **Date of Patent:** **** Aug. 29, 2006**

(54) **TABLE**

(75) Inventors: **Rick Berry**, Hickory, NC (US); **Dave Clark**, Charlotte, NC (US)

(73) Assignee: **Bernhardt, L.L.C.**, Lenoir, NC (US)

(**) Term: **14 Years**

(21) Appl. No.: **29/223,512**

(22) Filed: **Feb. 15, 2005**

(51) **LOC (8) Cl.** **06-03**

(52) **U.S. Cl.** **D6/480; D6/478**

(58) **Field of Classification Search** D6/480-489,
D6/495, 450, 451, 474, 477-479, 436; 108/153.1,
108/155, 156, 161, 155.7; 248/188, 188.1,
248/188.8

See application file for complete search history.

(56) **References Cited**

U.S. PATENT DOCUMENTS

- 2,098,453 A * 11/1937 Janes et al. 312/140.1
- D112,041 S * 11/1938 Dunham D6/475
- D145,148 S * 7/1946 Welke D6/478
- D155,284 S * 9/1949 Gershun D6/474

- D169,867 S * 6/1953 Sanford D6/478
- D283,323 S * 4/1986 Cervero D14/451
- D361,453 S * 8/1995 Sussman D6/474
- D441,977 S 5/2001 Vaaler D6/380
- D498,369 S 11/2004 McDaniel et al. D6/436

OTHER PUBLICATIONS

Kittenger, Sep. 1, 1974, p. Te-4, Reeded edge at top right.*
An Encyclopedia of Chairs, Arm of Chippendale Wing
Chair, c. 1780.

Serenite Orientale, etagere.

* cited by examiner

Primary Examiner—Janice E. Seeger

(74) *Attorney, Agent, or Firm*—MacCord Mason PLLC

(57) **CLAIM**

The ornamental design for a table, as shown and described.

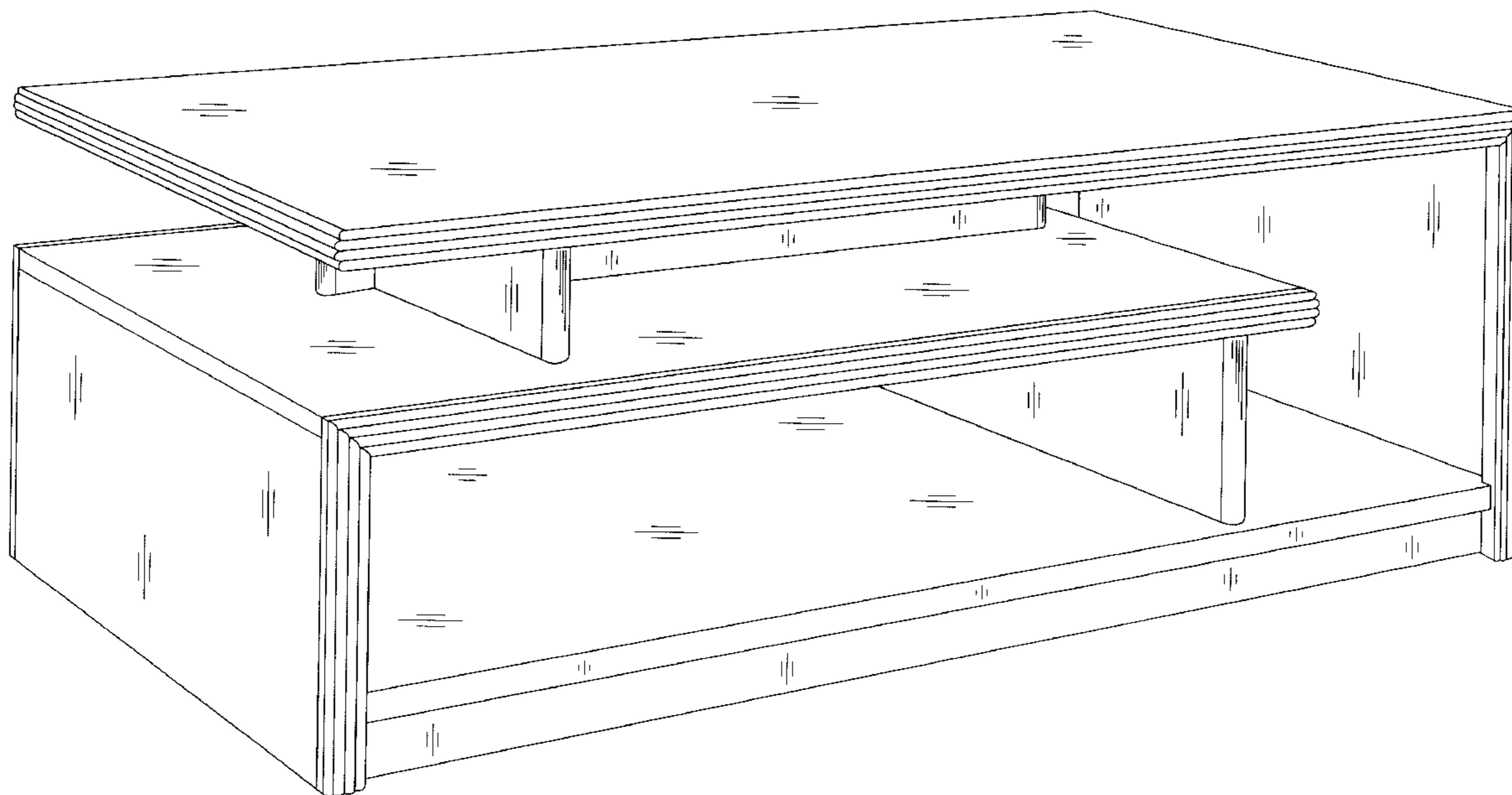
DESCRIPTION

FIG. 1 is a front perspective view of a table showing our new design;

FIG. 2 is a front view thereof; and,

FIG. 3 is a side view.

1 Claim, 3 Drawing Sheets



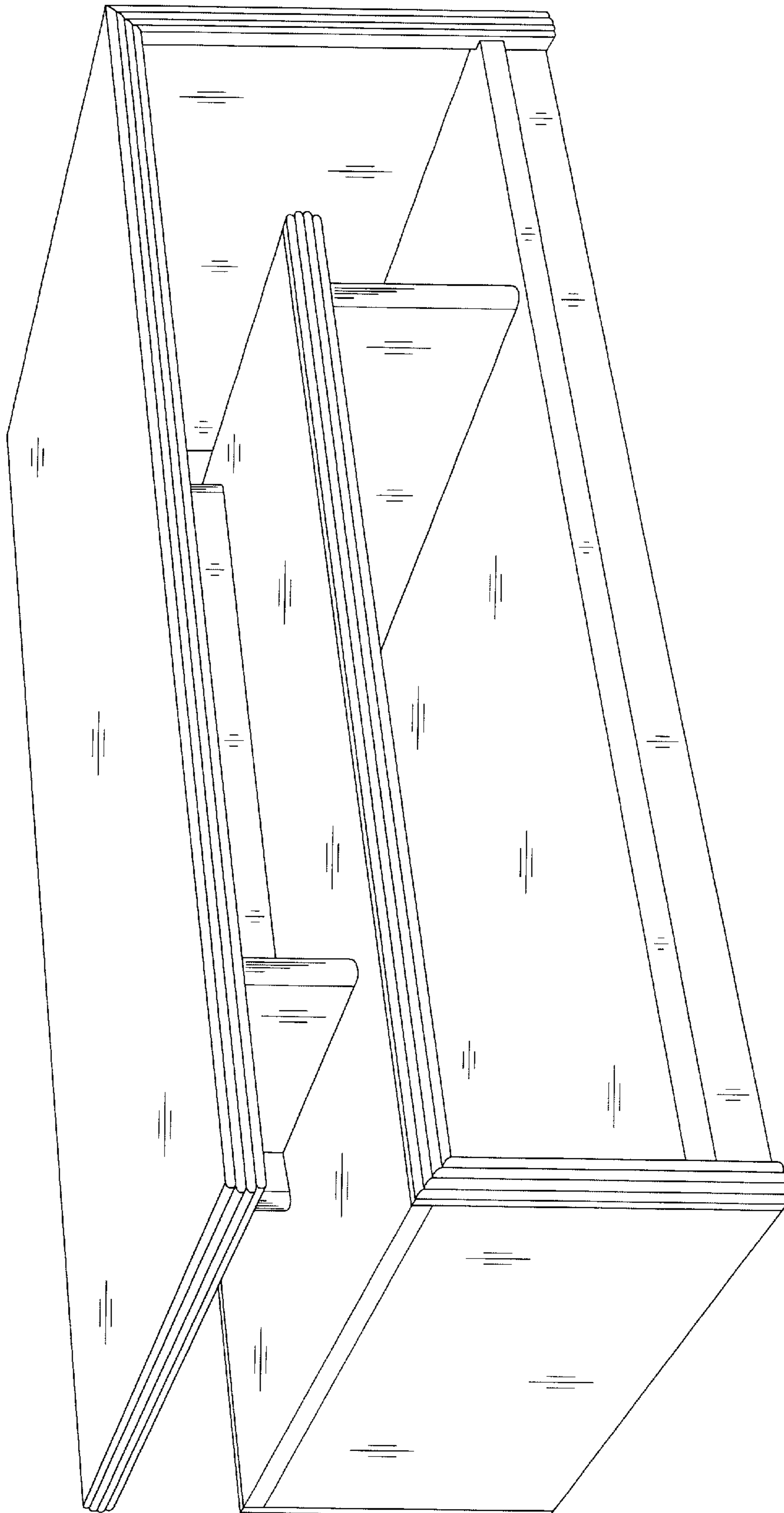


FIG. 1

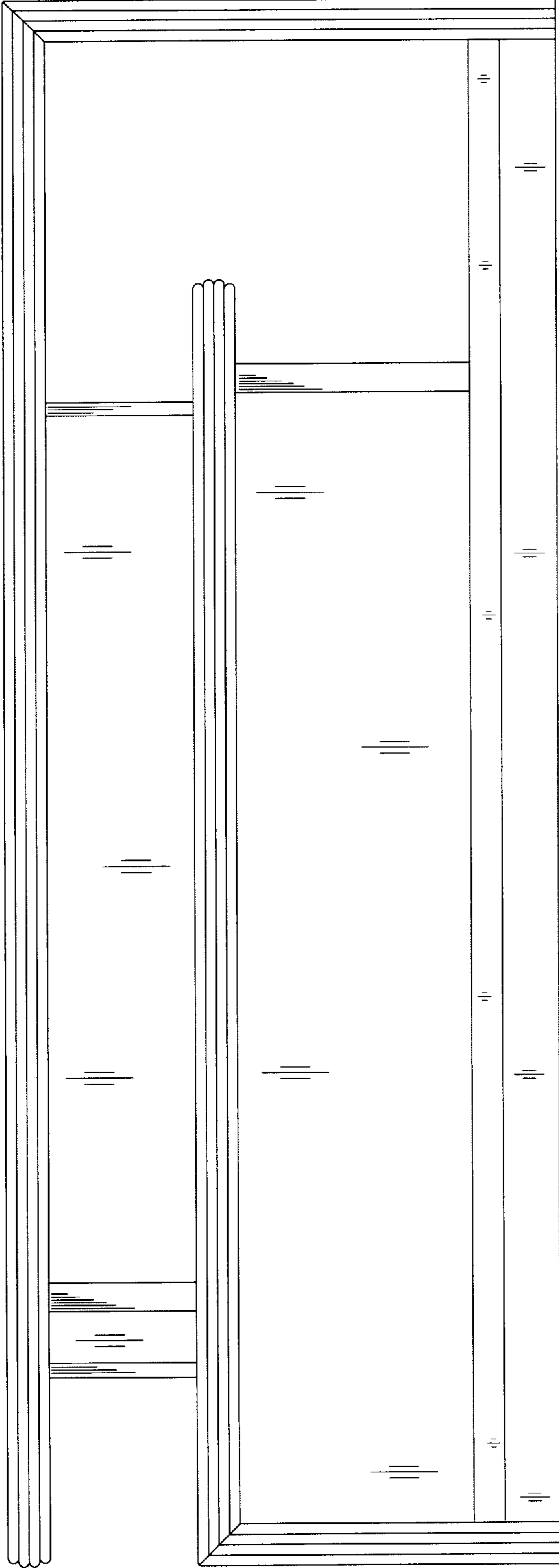


FIG. 2

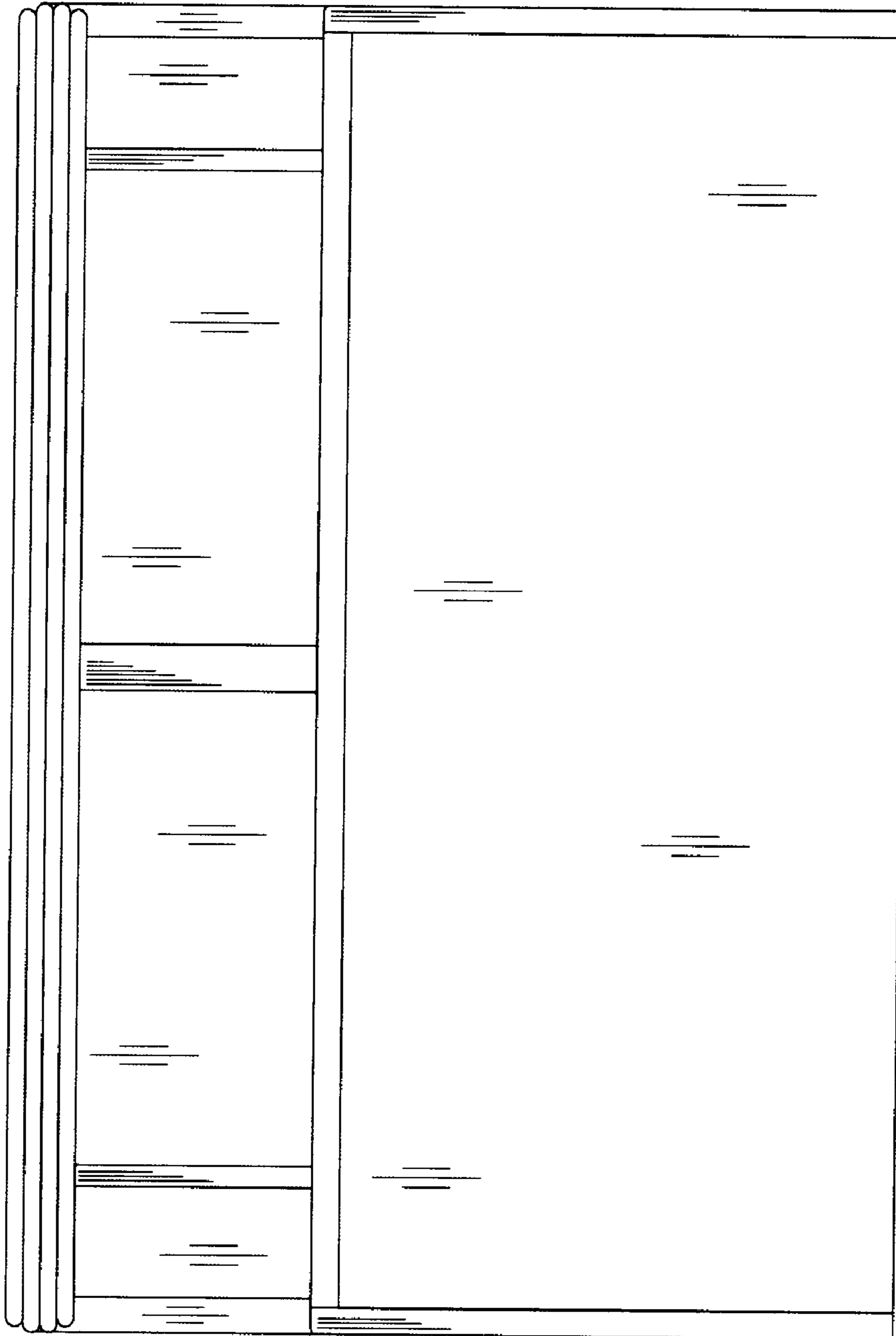


FIG. 3