

US00D527208S

(12) **United States Design Patent** (10) **Patent No.:** **US D527,208 S**  
**Malizia** (45) **Date of Patent:** **\*\* \*Aug. 29, 2006**

- |  |   |
|--|---|
| (54) <b>AUDIO VIDEO SHELVING UNIT</b>                        | D483,581 S * 12/2003 Chang ..... D6/479     |
|  | D483,966 S 12/2003 Forlenza et al.          |
| (75) Inventor: <b>Mario Malizia</b> , Castelfidardo (IT)     | D485,539 S 1/2004 Goto et al.               |
|  | D491,386 S * 6/2004 Sexton ..... D6/479     |
| (73) Assignee: <b>Bell'O International L.L.C.</b> ,          | D491,753 S * 6/2004 deCarolis ..... D6/479  |
| Morganville, NJ (US)   | D495,164 S * 8/2004 Chang ..... D6/479      |
|  | D496,806 S * 10/2004 Chang ..... D6/477     |
| (*) Notice: This patent is subject to a terminal disclaimer. | D496,807 S * 10/2004 deCarolis ..... D6/477 |
|  | D497,060 S * 10/2004 Chang ..... D6/477     |
| (**) Term: <b>14 Years</b>                                   | D497,061 S * 10/2004 Decarolis ..... D6/479 |
|  | D505,573 S * 5/2005 Malizia ..... D6/474    |
|  | D507,433 S * 7/2005 Portnoy ..... D6/477    |

(21) Appl. No.: **29/232,638**

(22) Filed: **Jun. 22, 2005**

- (51) **LOC (8) Cl.** ..... **06-04**  
(52) **U.S. Cl.** ..... **D6/479**  
(58) **Field of Classification Search** ..... D6/460,  
D6/461, 468, 474, 477-479, 509; 312/7.2,  
312/9.1; 108/59, 91, 92, 96; 211/40, 41.12,  
211/42, 49.1, 50, 85.2, 90.04, 187, 190, 119.003,  
211/134.153, 87.01, 71.01  
See application file for complete search history.

(56) **References Cited**

**U.S. PATENT DOCUMENTS**

- |             |          |                  |              |
|-------------|----------|------------------|--------------|
| D236,054 S  | 7/1975   | Ginat            |              |
| D371,259 S  | 7/1996   | Herbst           |              |
| 5,584,595 A | 12/1996  | Gantitano et al. |              |
| D378,175 S  | 2/1997   | Hamami           |              |
| D402,486 S  | 12/1998  | Wada et al.      |              |
| D405,630 S  | 2/1999   | Wohlford         |              |
| D427,459 S  | * 7/2000 | Druebbisch       | ..... D6/479 |
| D441,217 S  | 5/2001   | Pepin et al.     |              |
| D451,307 S  | 12/2001  | Dong             |              |
| D467,099 S  | 12/2002  | Antonioni        |              |
| D472,073 S  | 3/2003   | de Carolis       |              |
| D472,074 S  | * 3/2003 | de Carolis       | ..... D6/479 |
| D472,075 S  | 3/2003   | de Carolis       |              |
| D477,159 S  | 7/2003   | Niitsu           |              |
| D477,292 S  | 7/2003   | Inoue et al.     |              |

**OTHER PUBLICATIONS**

Bell'O 2002 International Catalog, selected pages.

\* cited by examiner

*Primary Examiner*—Cathron C. Brooks  
(74) *Attorney, Agent, or Firm*—Lerner, David, Littenberg,  
Krumholz & Mentlik, LLP

(57) **CLAIM**

The ornamental design for audio video shelving unit, as shown and described.

**DESCRIPTION**

FIG. 1 is a top perspective view of a first embodiment of the subject audio video shelving unit;  
FIG. 2 is a front plan view thereof;  
FIG. 3 is a rear view thereof;  
FIG. 4 is a right side view thereof (the left side being a mirror image of the right side view);  
FIG. 5 is a top plan view thereof;  
FIG. 6 is a perspective view of a second embodiment of the subject audio video shelving unit; and,  
FIG. 7 is a top plan view of the embodiment shown in FIG. 6 (all other views of the second embodiment having the same appearance as FIGS. 2, 3 and 4).

**1 Claim, 7 Drawing Sheets**

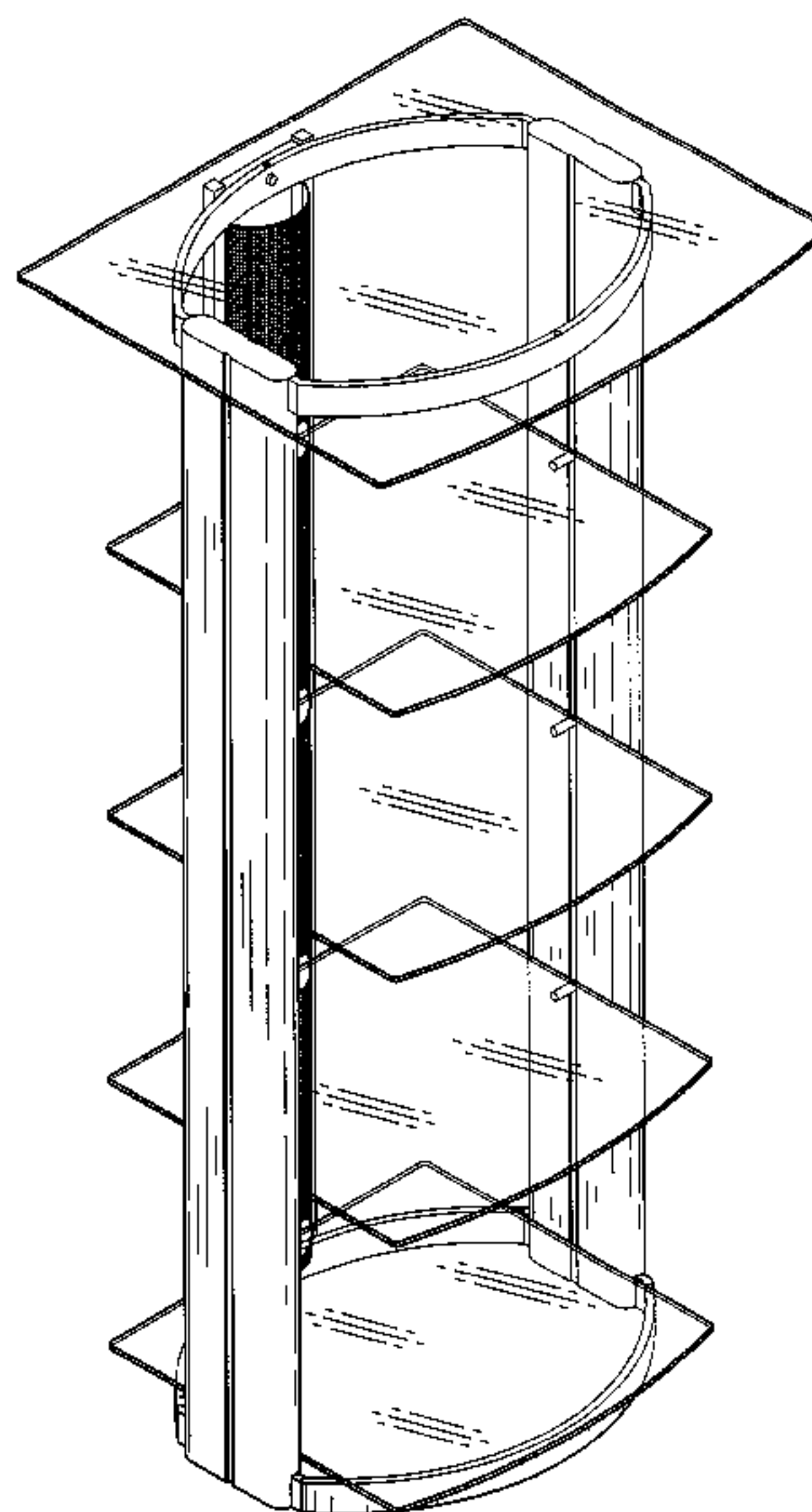


FIG. 1

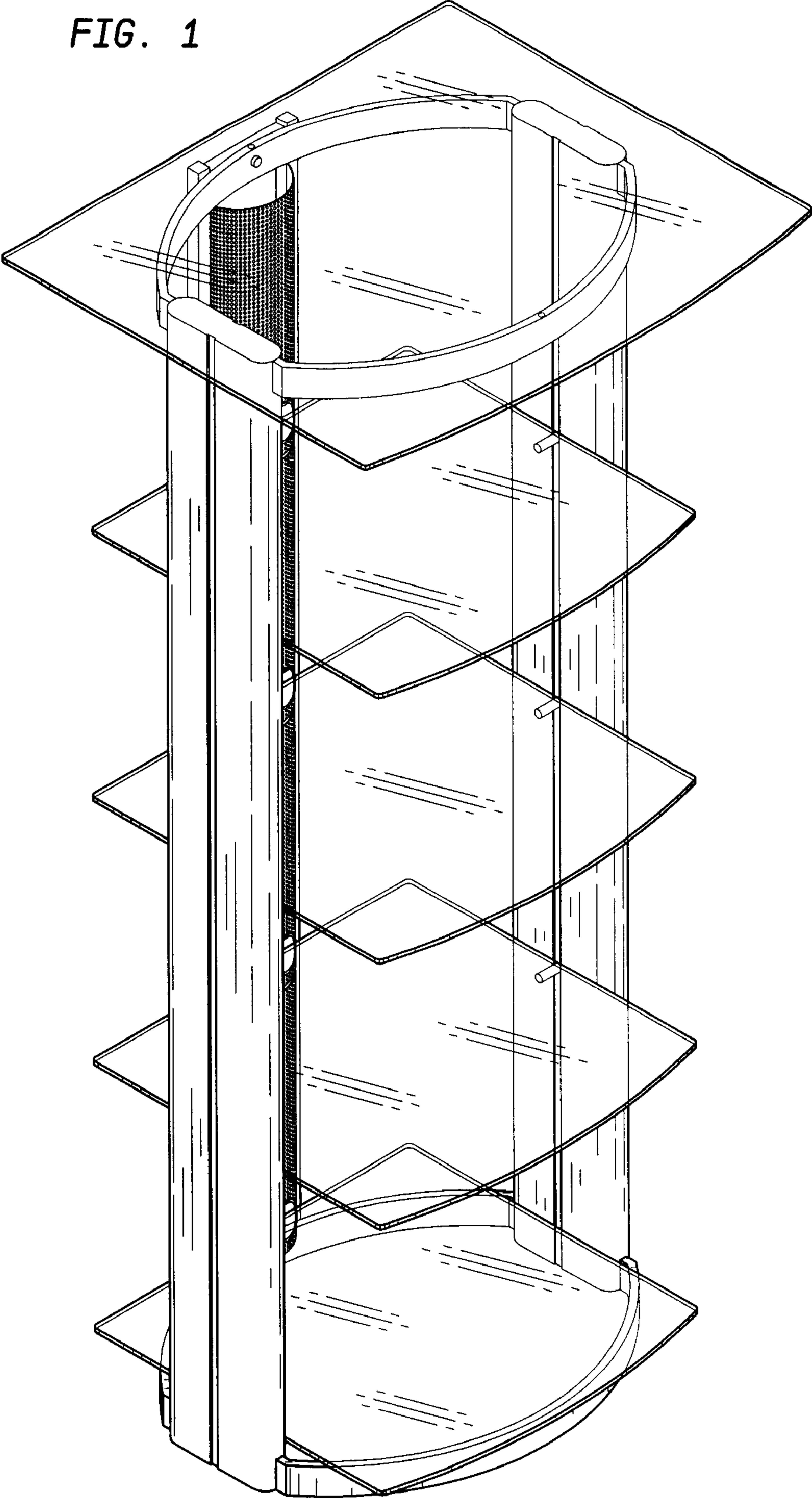


FIG. 2

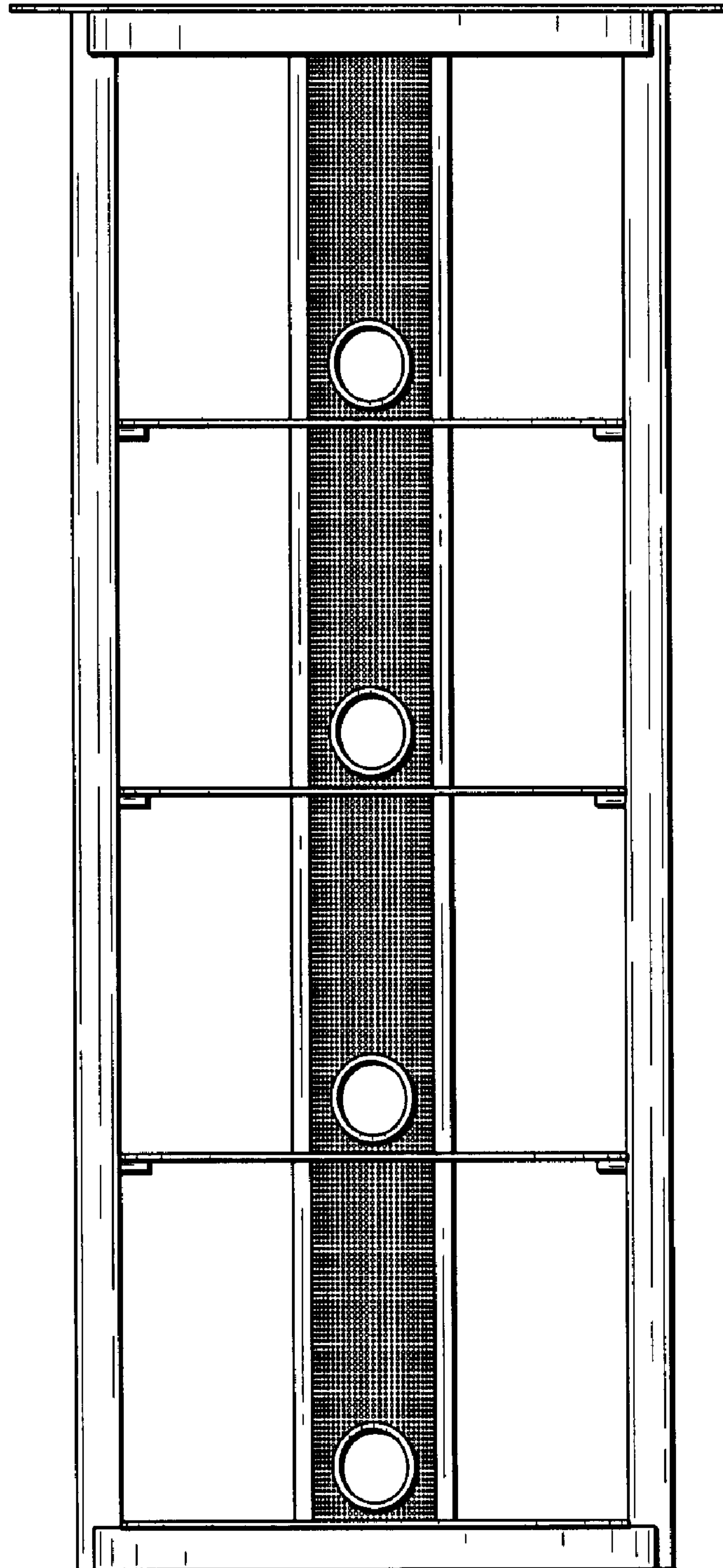




FIG. 3

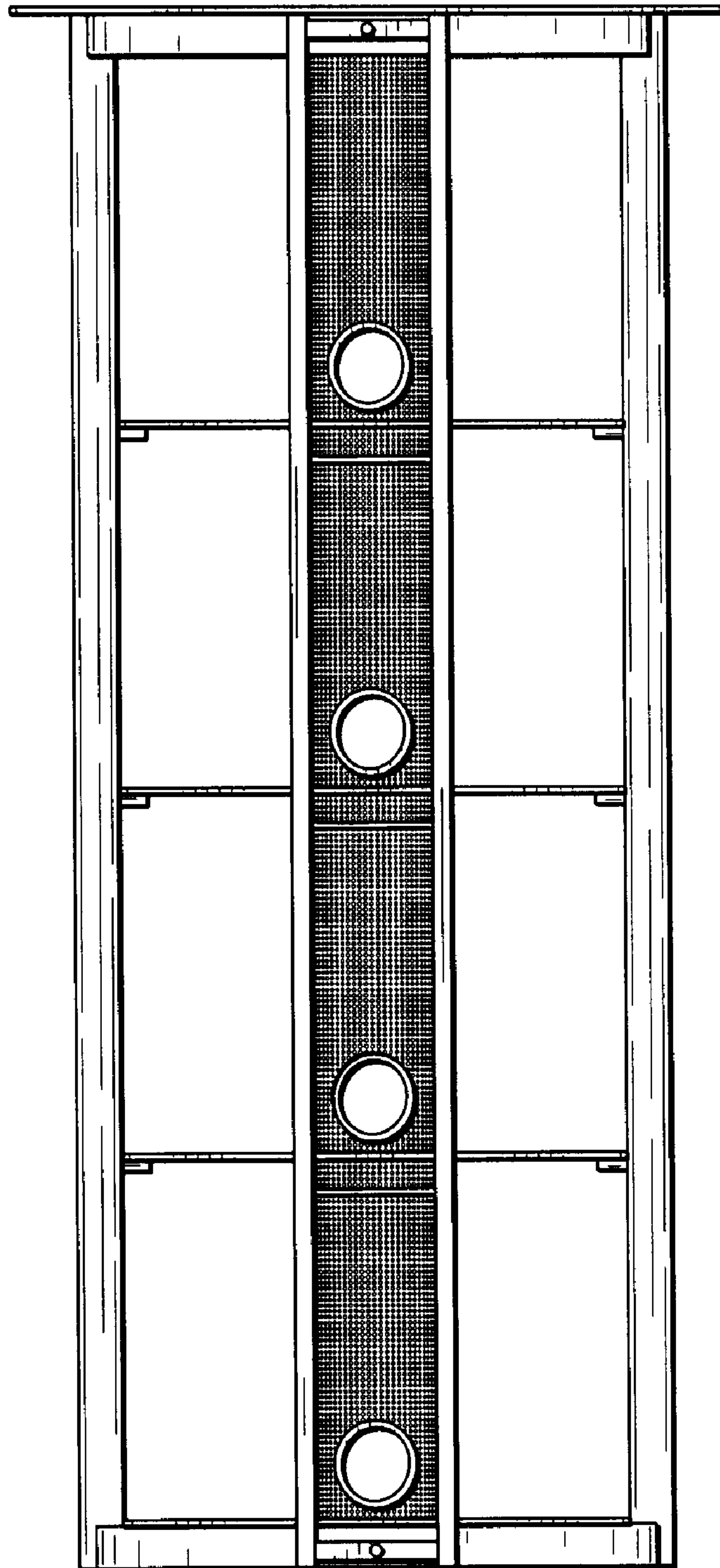
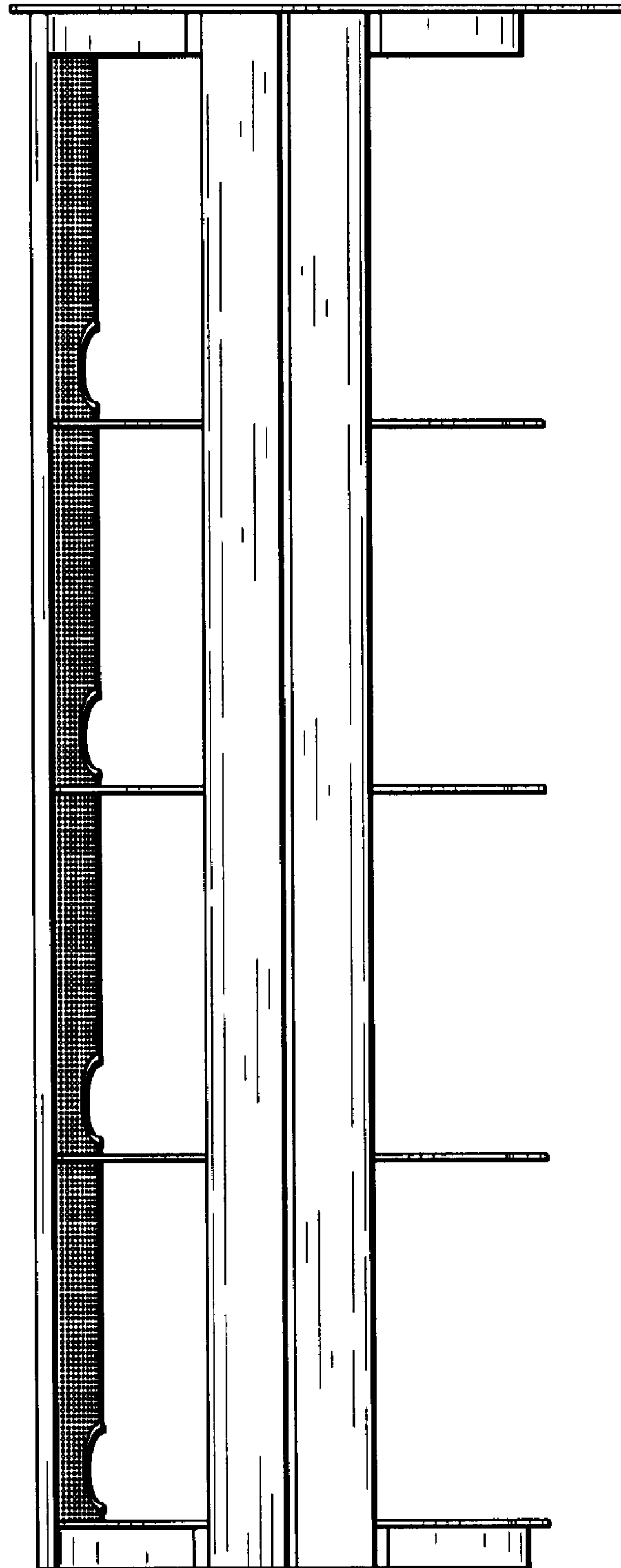


FIG. 4



**FIG. 5**

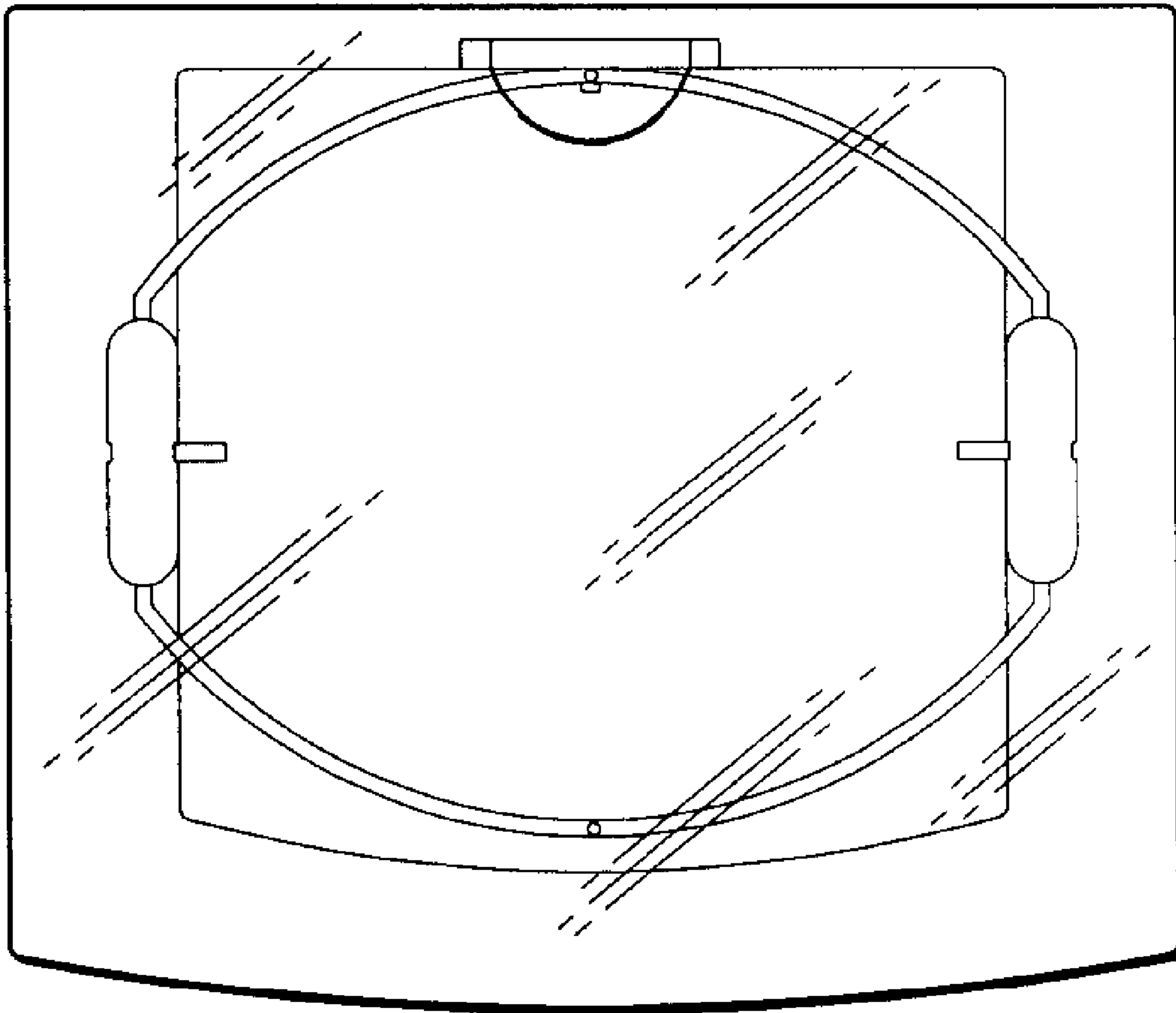
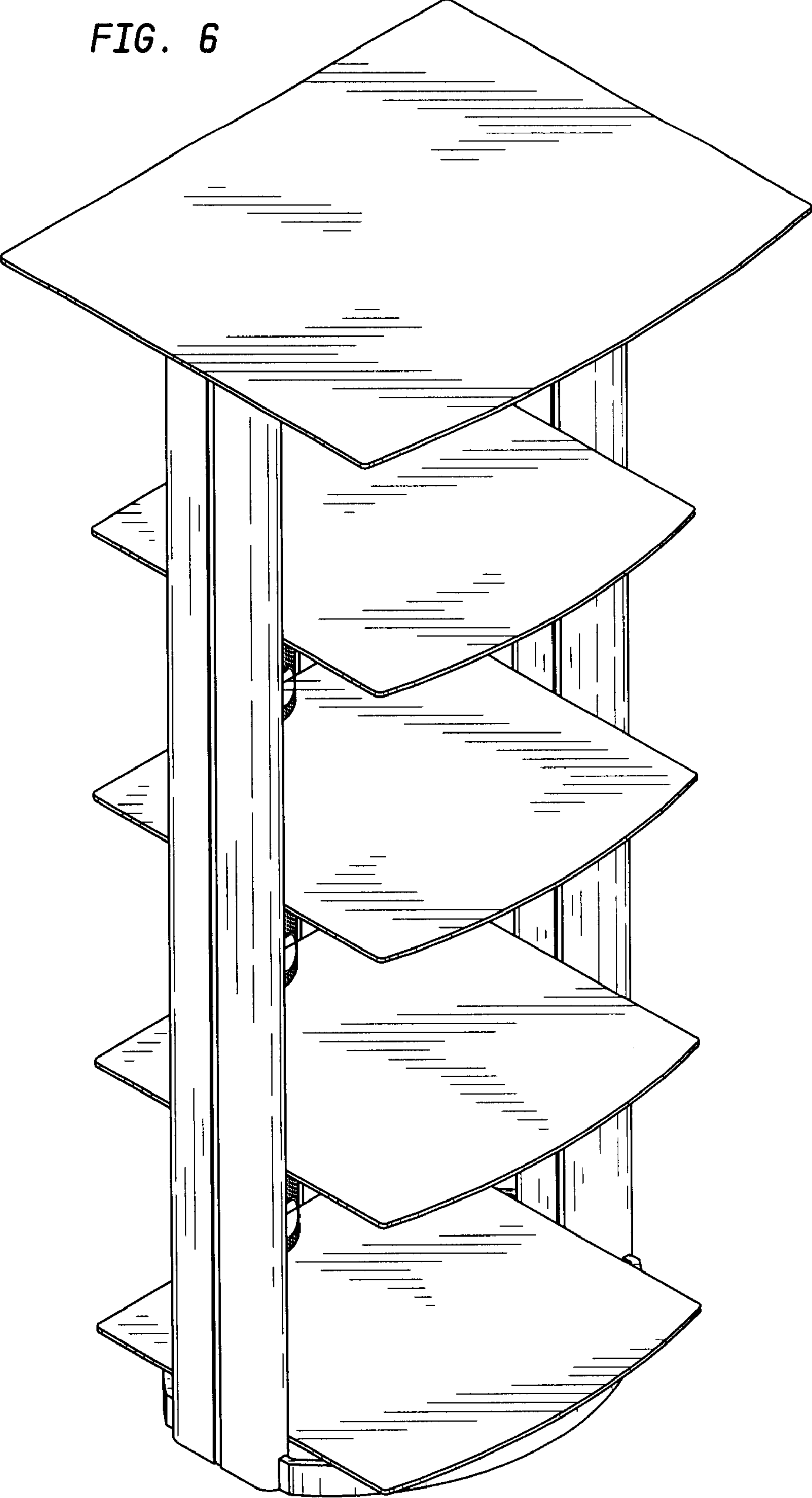


FIG. 6



*FIG. 7*

