



US00D527207S

(12) **United States Design Patent**
Lee et al.

(10) **Patent No.:** **US D527,207 S**
(45) **Date of Patent:** **** Aug. 29, 2006**

(54) **STORAGE MODULE**

(75) Inventors: **Thomas R. Lee**, Mission Viejo, CA
(US); **Joseph Thomas Richardson**,
Irvine, CA (US)

(73) Assignee: **Behr Process Corporation**, Santa Ana,
CA (US)

(**) Term: **14 Years**

(21) Appl. No.: **29/216,141**

(22) Filed: **Oct. 29, 2004**

(51) **LOC (8) Cl.** **06-06**

(52) **U.S. Cl.** **D6/476; D6/470**

(58) **Field of Classification Search** D6/449,
D6/466, 467, 470, 475, 476; D19/75-78,
D19/90, 92; D28/61; 206/214; 211/50, 52;
312/114, 117

See application file for complete search history.

(56) **References Cited**

U.S. PATENT DOCUMENTS

D171,441 S	*	2/1954	Cornick	D6/476
D174,754 S	*	5/1955	Kallmeyer	D6/474
D256,199 S	*	8/1980	Burke et al.	D6/474
D322,728 S	*	12/1991	Berman	D6/476
D358,049 S	*	5/1995	Wilson	D6/475
5,485,928 A	*	1/1996	Felton	211/52
D401,015 S	*	11/1998	Sussman	D19/75
6,331,858 B1		12/2001	Fisher		
D459,398 S	*	6/2002	Stravitz	D19/90
6,563,510 B1		5/2003	Rice et al.		

D479,660 S	*	9/2003	Vinson	D6/476
D480,426 S	*	10/2003	Kortleven	D19/75
D481,882 S		11/2003	Richardson et al.		
D481,883 S		11/2003	Richardson et al.		
D481,884 S		11/2003	Richardson et al.		
D482,207 S		11/2003	Richardson et al.		
D488,001 S		4/2004	Richardson et al.		
D488,318 S		4/2004	Richardson et al.		
D488,633 S		4/2004	Richardson et al.		
D493,045 S		7/2004	Richardson et al.		
D497,269 S		10/2004	Richardson et al.		
D497,495 S		10/2004	Richardson et al.		
6,632,093 B1		10/2004	Rice et al.		
2005/0100210 A1		5/2005	Rice et al.		

* cited by examiner

Primary Examiner—Cathron C. Brooks

(74) *Attorney, Agent, or Firm*—Greenberg Traurig LLP;
Franklin D. Ubell

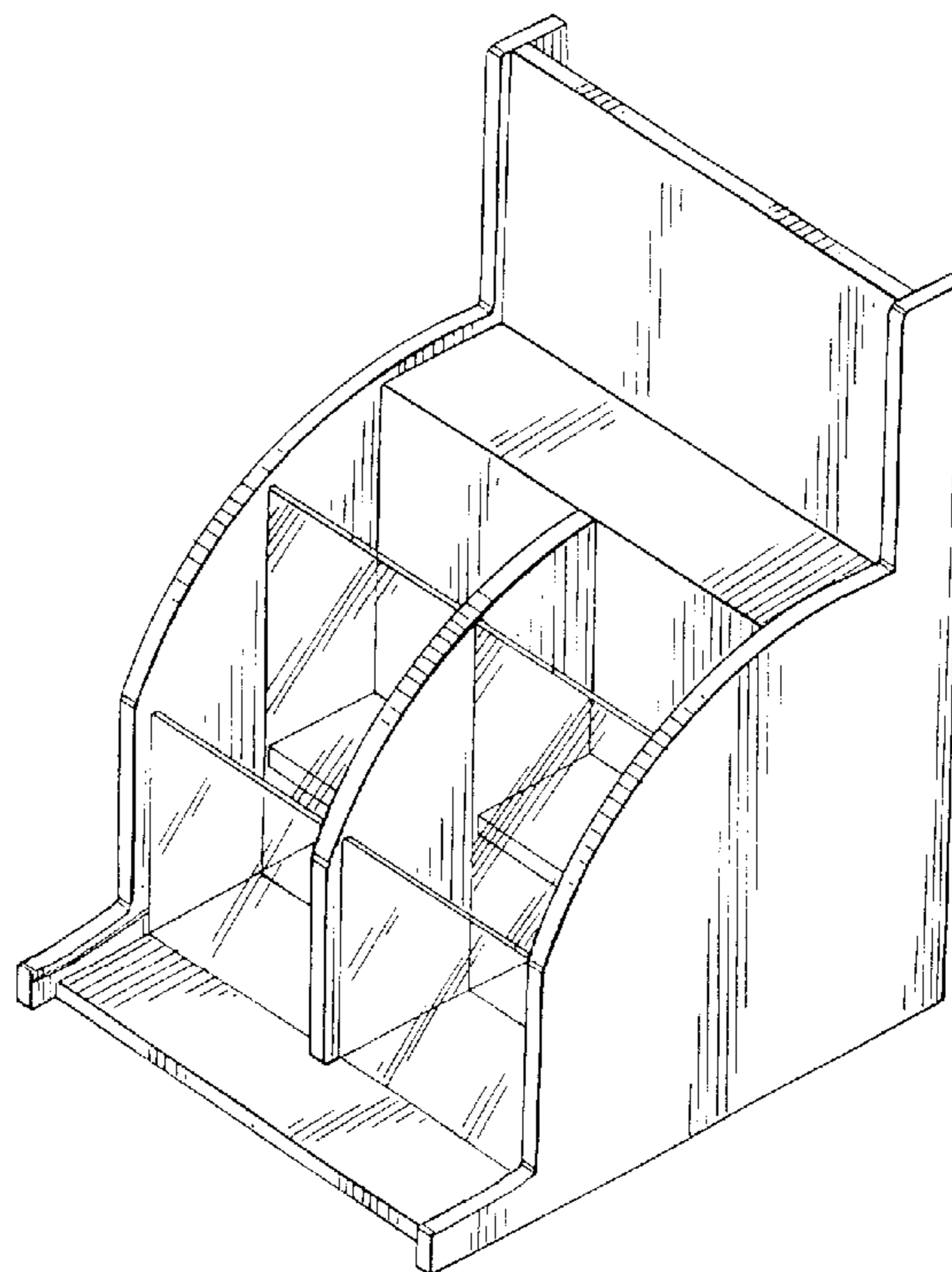
(57) **CLAIM**

The ornamental design for a storage module, as shown and described.

DESCRIPTION

FIG. 1 is a perspective view of a design for a storage module in accordance with our new design;
FIG. 2 is a front elevational view thereof;
FIG. 3 is a left elevational view thereof;
FIG. 4 is a right elevational view thereof;
FIG. 5 is a top plan view thereof;
FIG. 6 is a bottom plan view thereof; and,
FIG. 7 is a rear elevational view thereof.

1 Claim, 3 Drawing Sheets



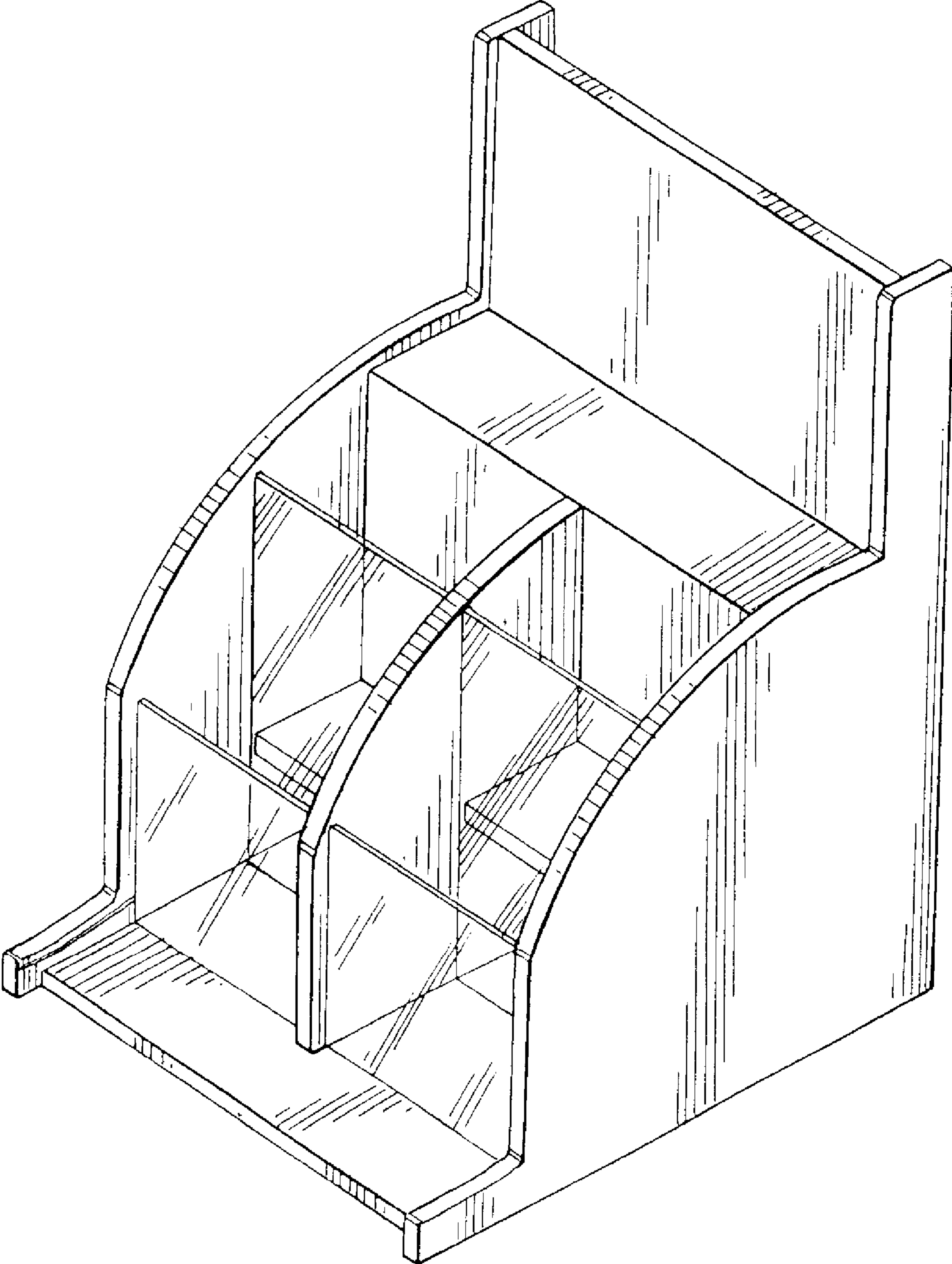


FIG. 1

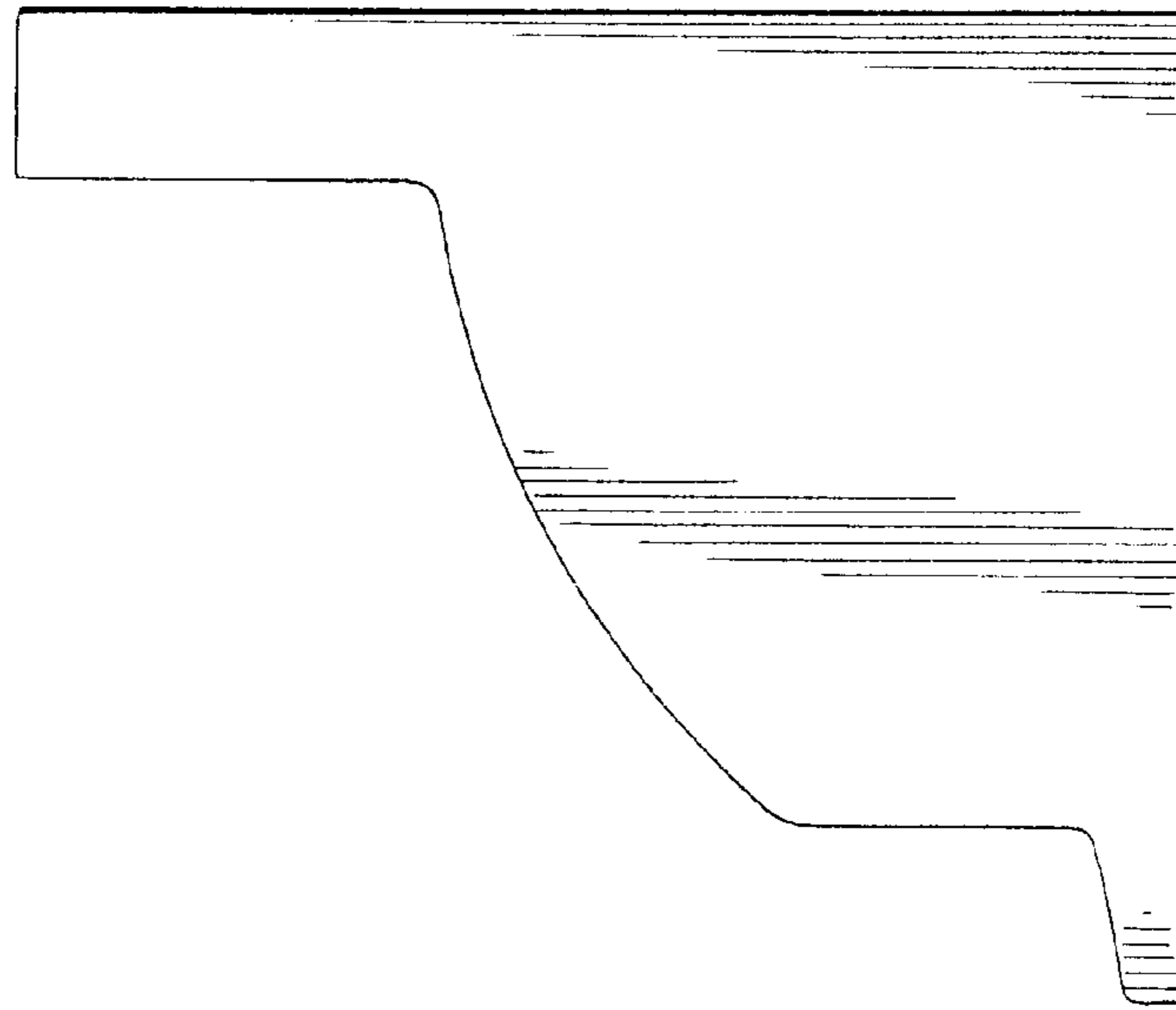


FIG. 4

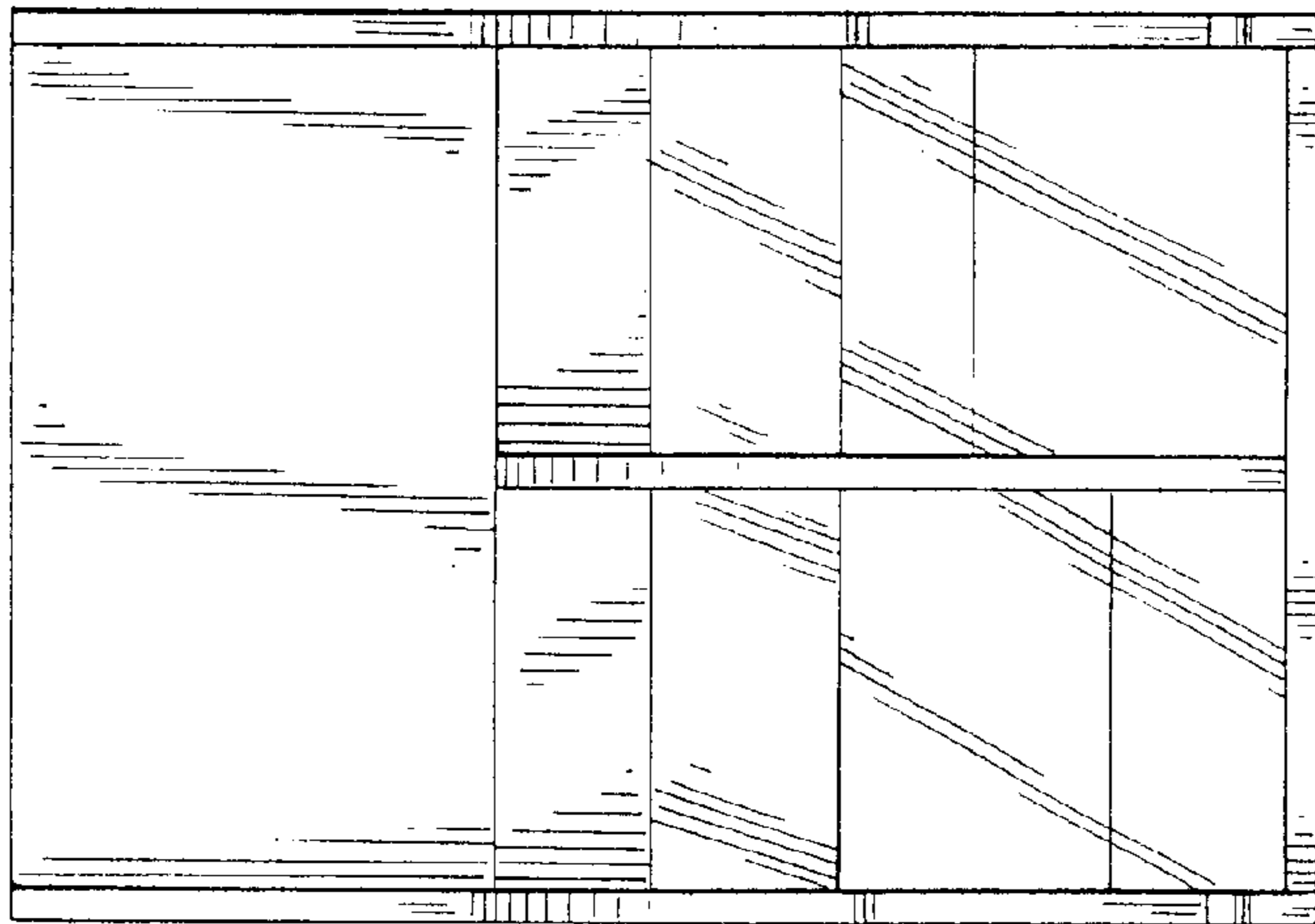


FIG. 2

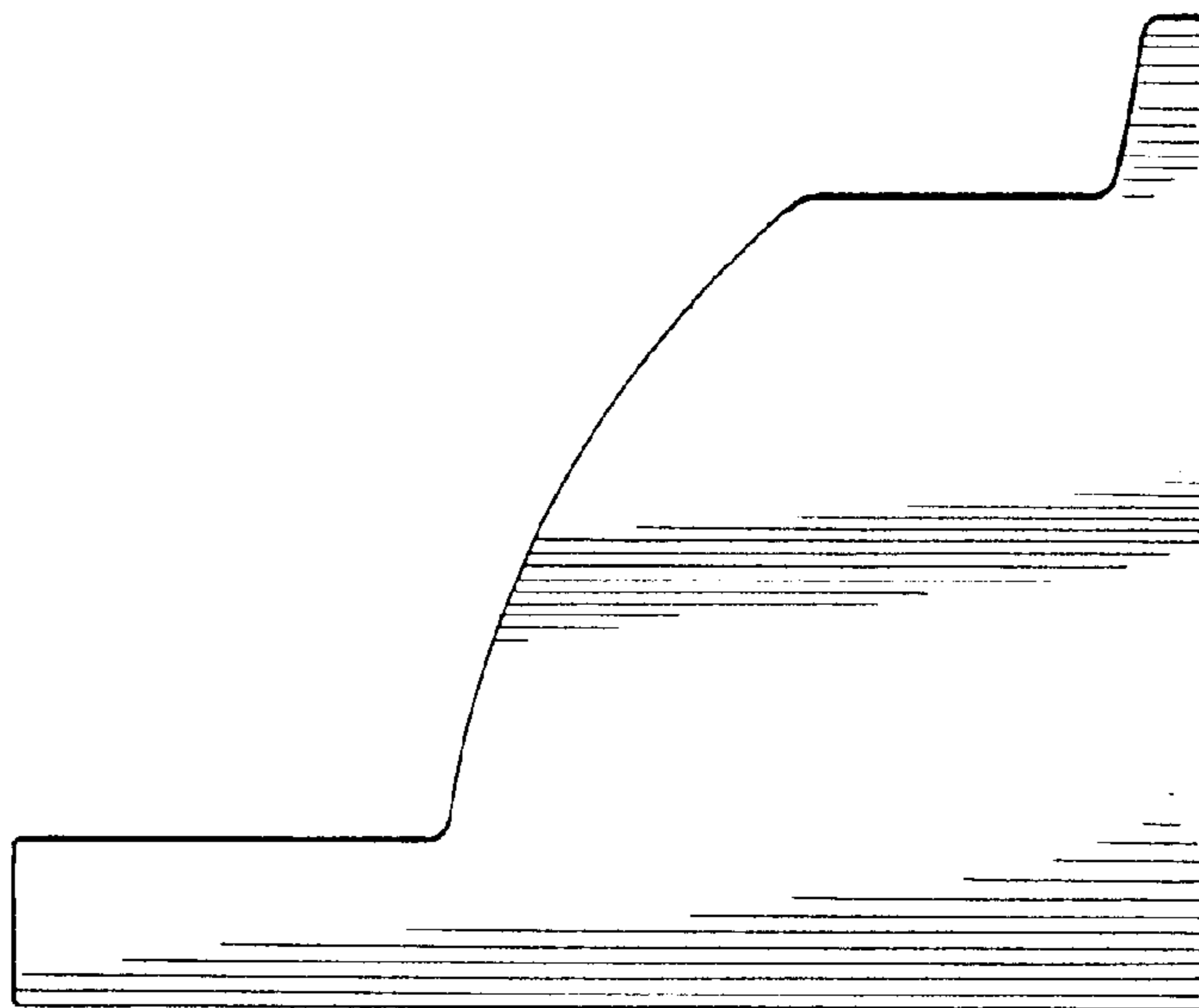


FIG. 3



FIG. 7

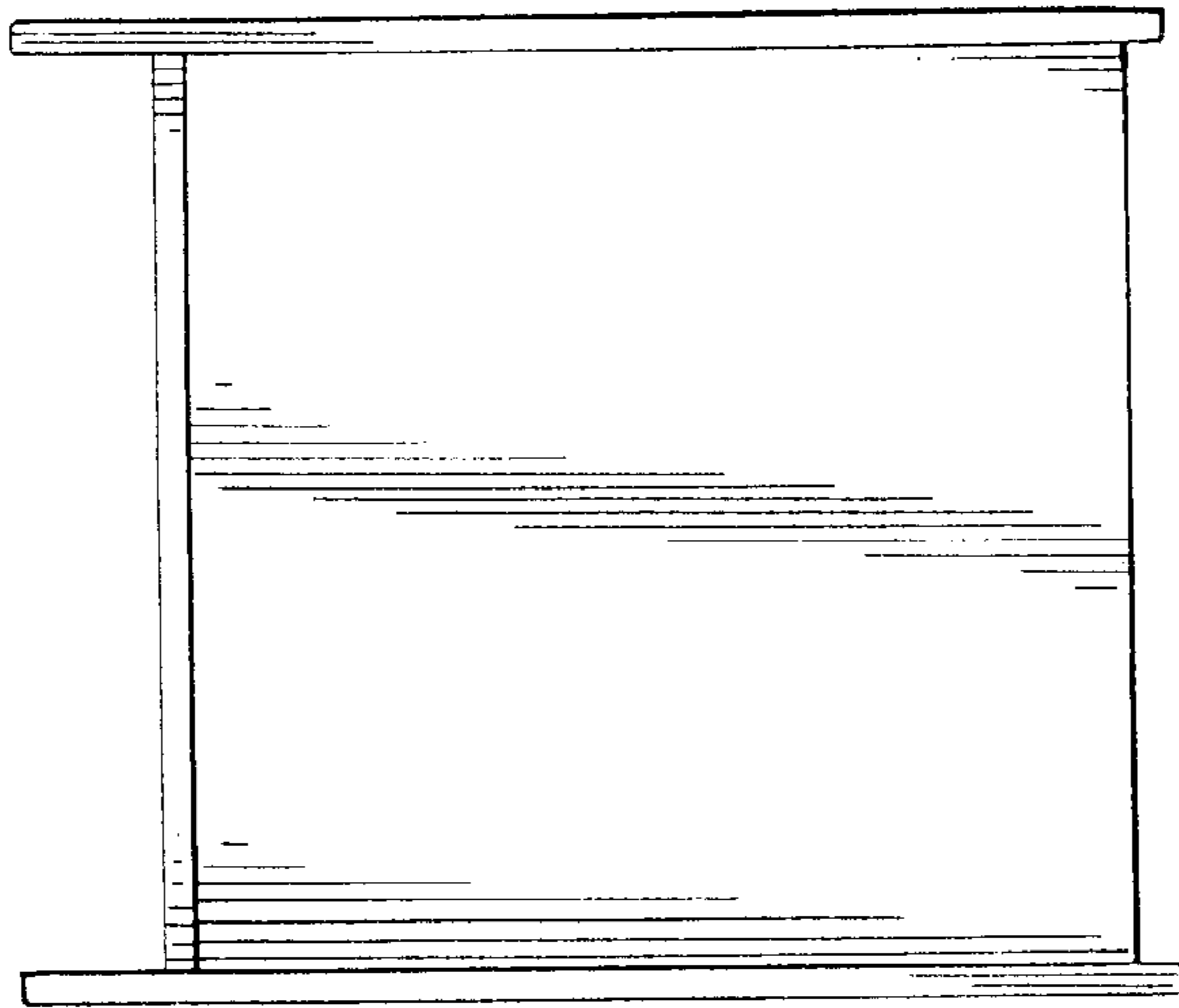


FIG. 6

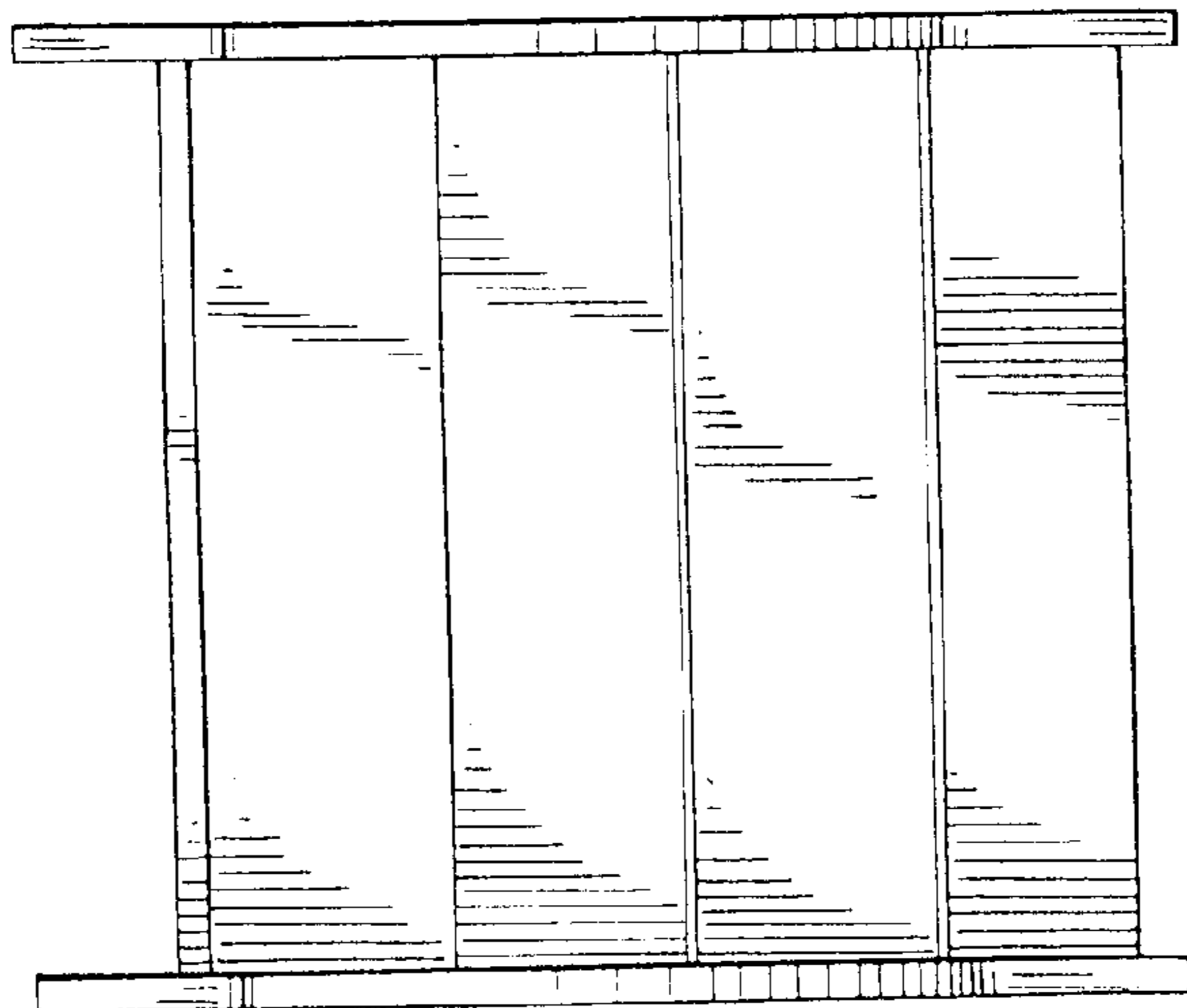


FIG. 5