

US00D527200S

(12) **United States Design Patent**
Wu

(10) **Patent No.:** **US D527,200 S**

(45) **Date of Patent:** **** Aug. 29, 2006**

(54) **MITER SAW STAND**

(75) Inventor: **San Ching Wu**, Taipei (TW)

(73) Assignee: **Super Made Products Co., Ltd.** (TW)

(**) Term: **14 Years**

(21) Appl. No.: **29/210,738**

(22) Filed: **Aug. 6, 2004**

(51) **LOC (8) Cl.** **06-04**

(52) **U.S. Cl.** **D6/400**

(58) **Field of Classification Search** D6/400,
D6/429-431, 509; D8/71; D34/12, 14, 16;
26/511; 144/286.1, 286 A, 286 R, 287 R,
144/287; 83/471.1, 471.2, 471.3, 467 A,
83/486.1, 701; 269/17, 41, 79, 901
See application file for complete search history.

(56) **References Cited**

U.S. PATENT DOCUMENTS

4,998,742 A * 3/1991 Maynard 280/35

D357,140 S * 4/1995 Hollinger D6/400
D489,738 S * 5/2004 Radermacher D15/140
6,883,793 B1 * 4/2005 Fortin et al. 269/139

* cited by examiner

Primary Examiner—Antoine D. Davis

Assistant Examiner—Patricia Palasik

(74) *Attorney, Agent, or Firm*—Bacon & Thomas PLLC

(57) **CLAIM**

The ornamental design for a miter saw stand, as shown and described.

DESCRIPTION

FIG. 1 is a left side perspective view of a miter saw stand showing my new design;

FIG. 2 is a front view thereof;

FIG. 3 is a rear view thereof;

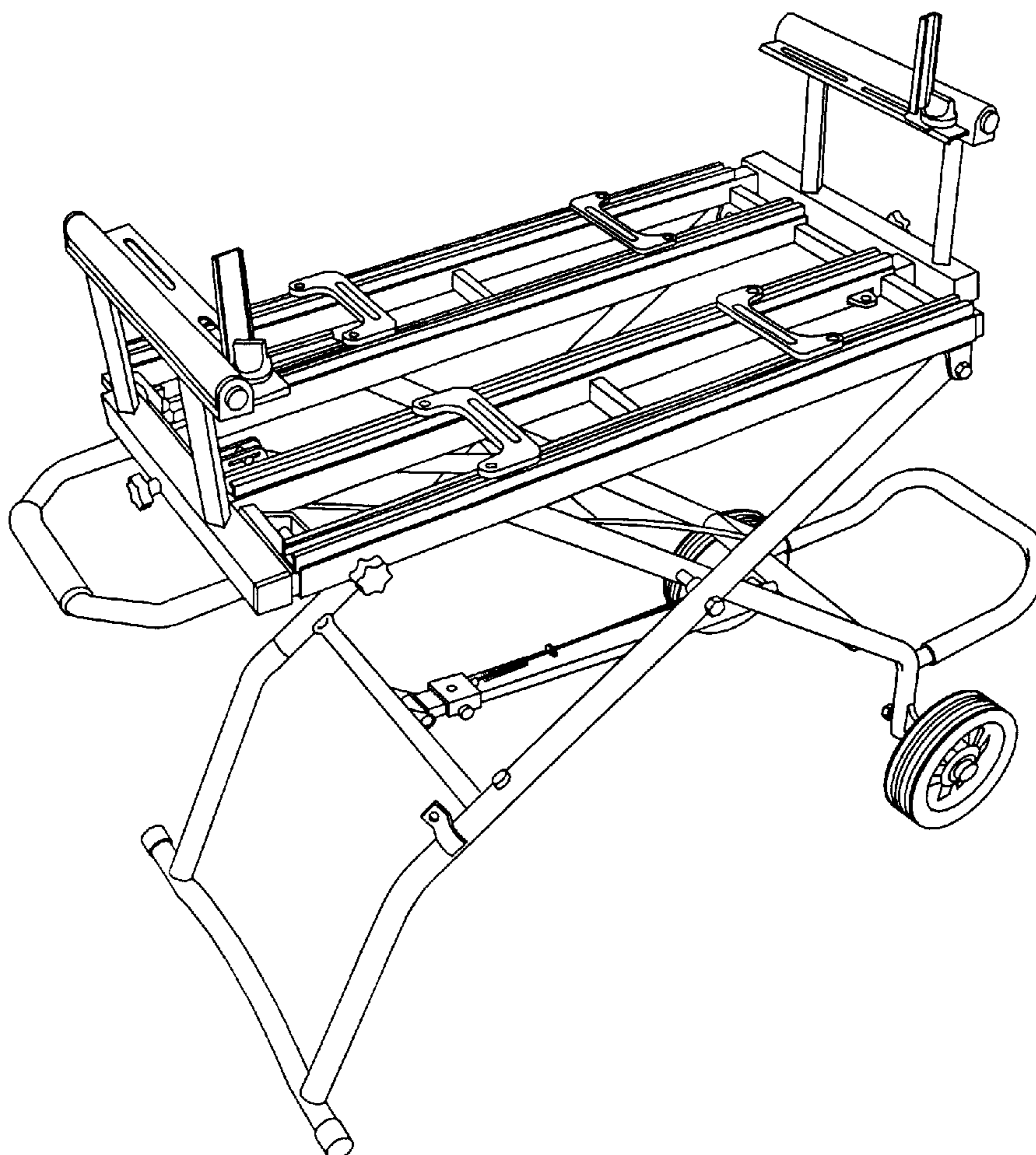
FIG. 4 is a left side view thereof;

FIG. 5 is a right side view thereof;

FIG. 6 is a top view thereof; and,

FIG. 7 is a bottom view thereof.

1 Claim, 5 Drawing Sheets



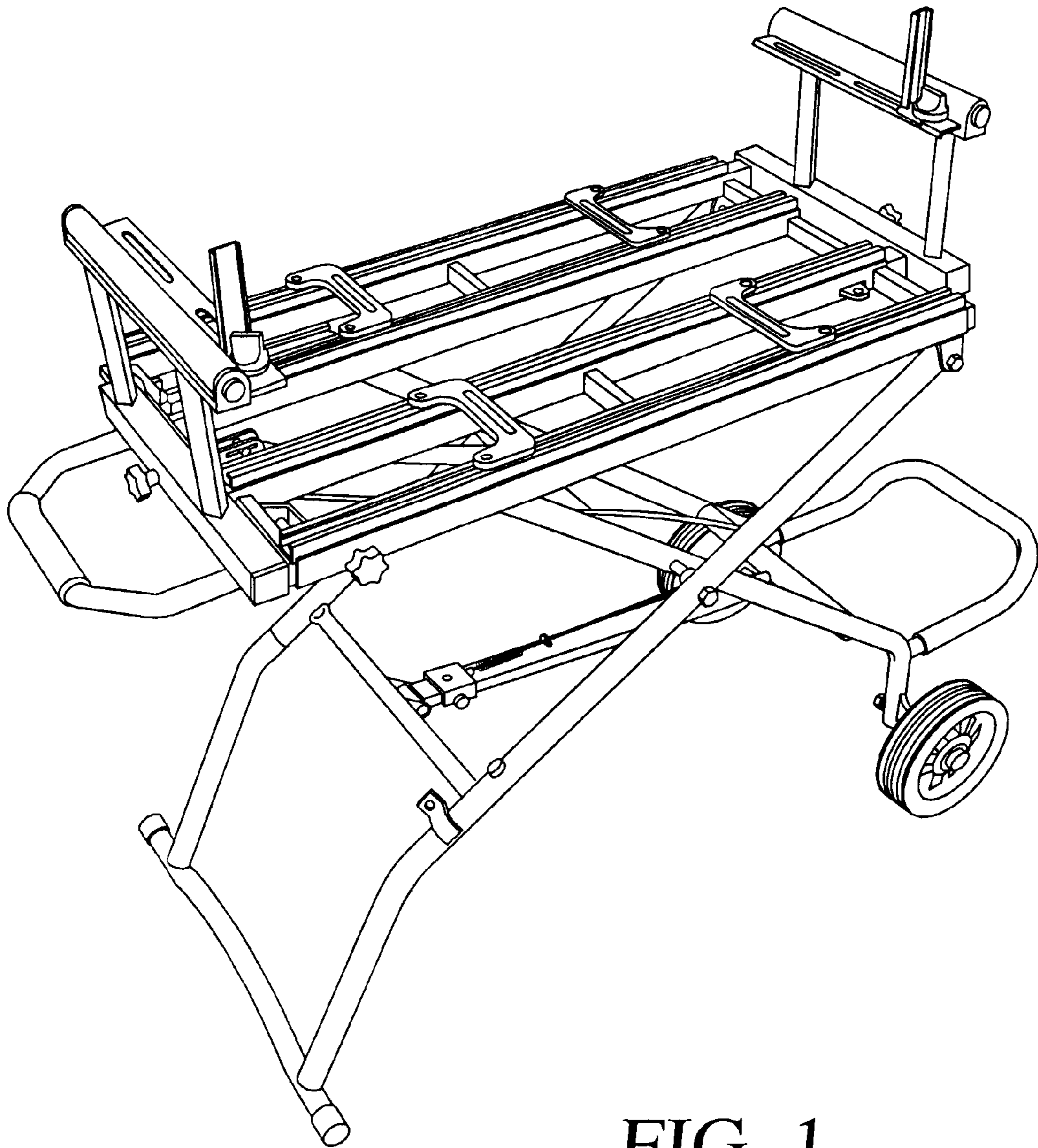


FIG. 1

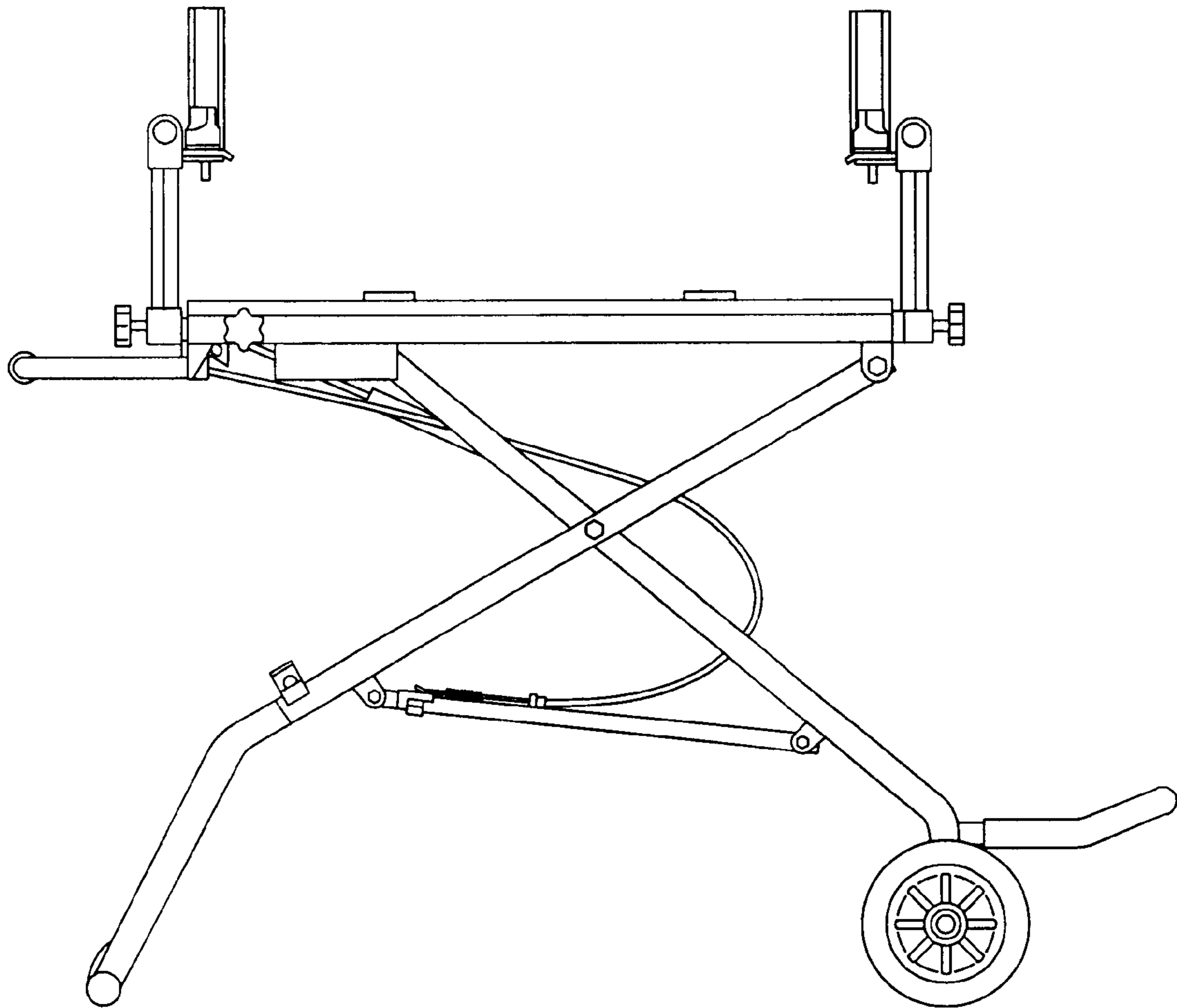


FIG. 2

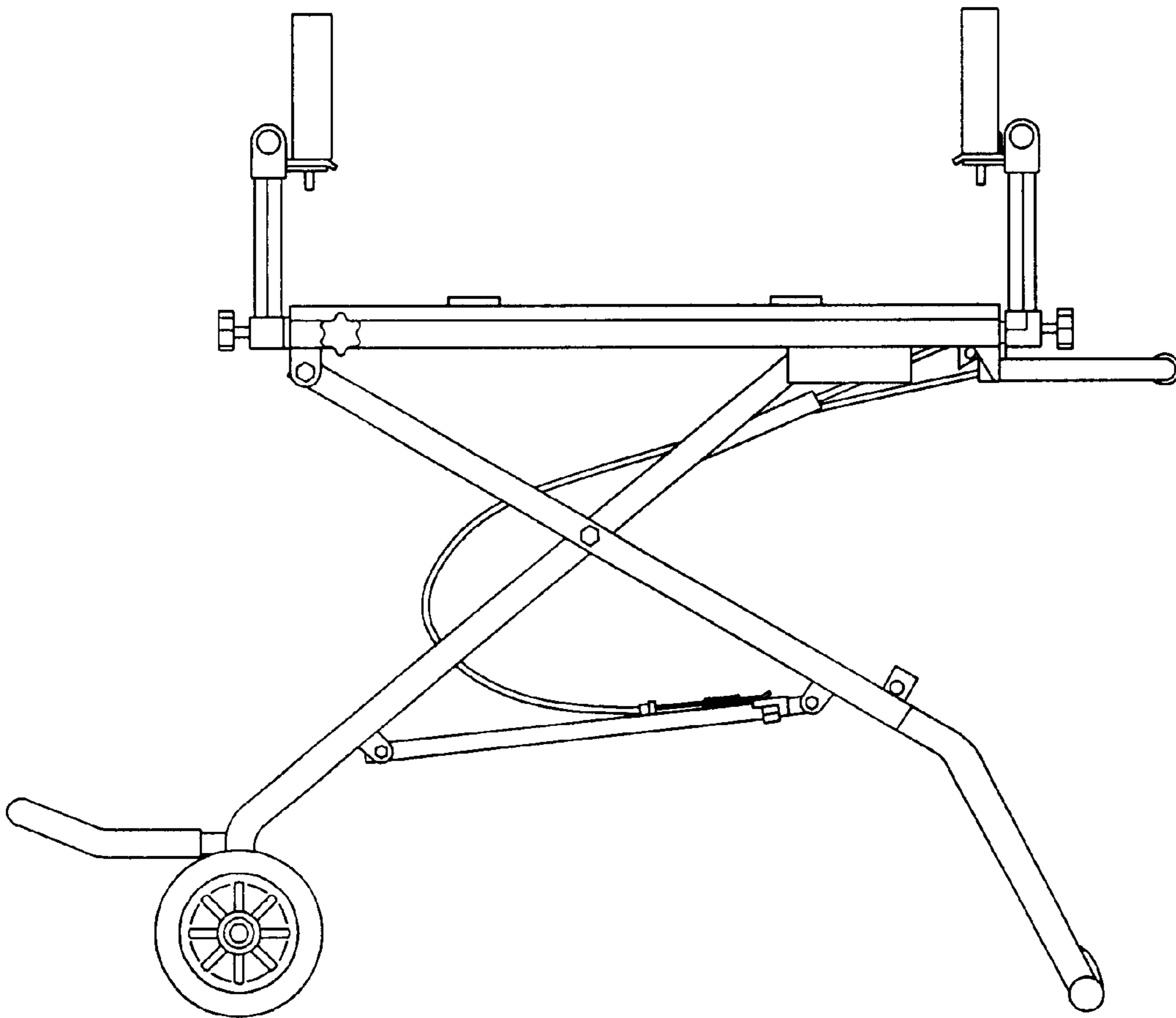


FIG. 3

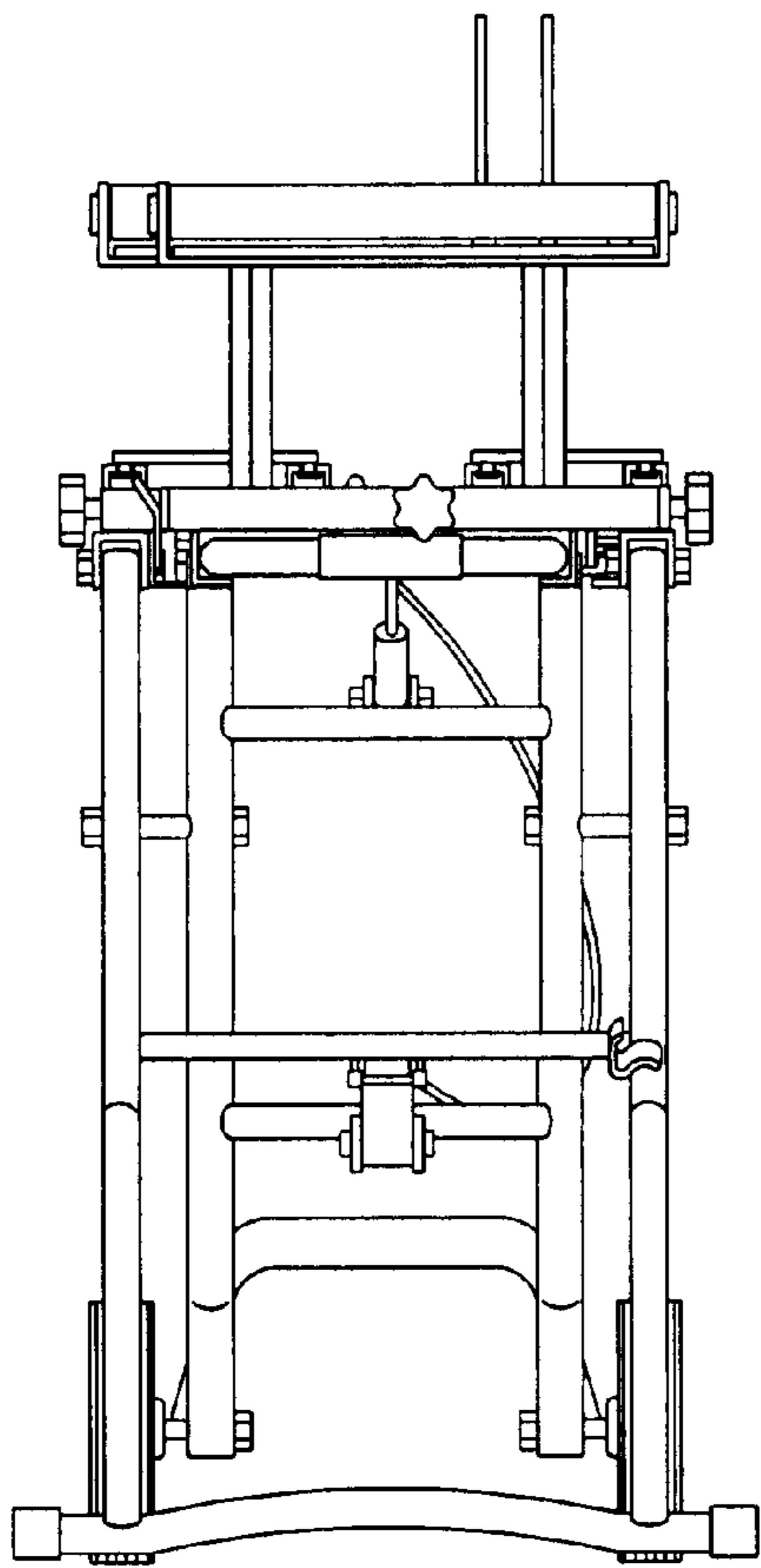


FIG. 4

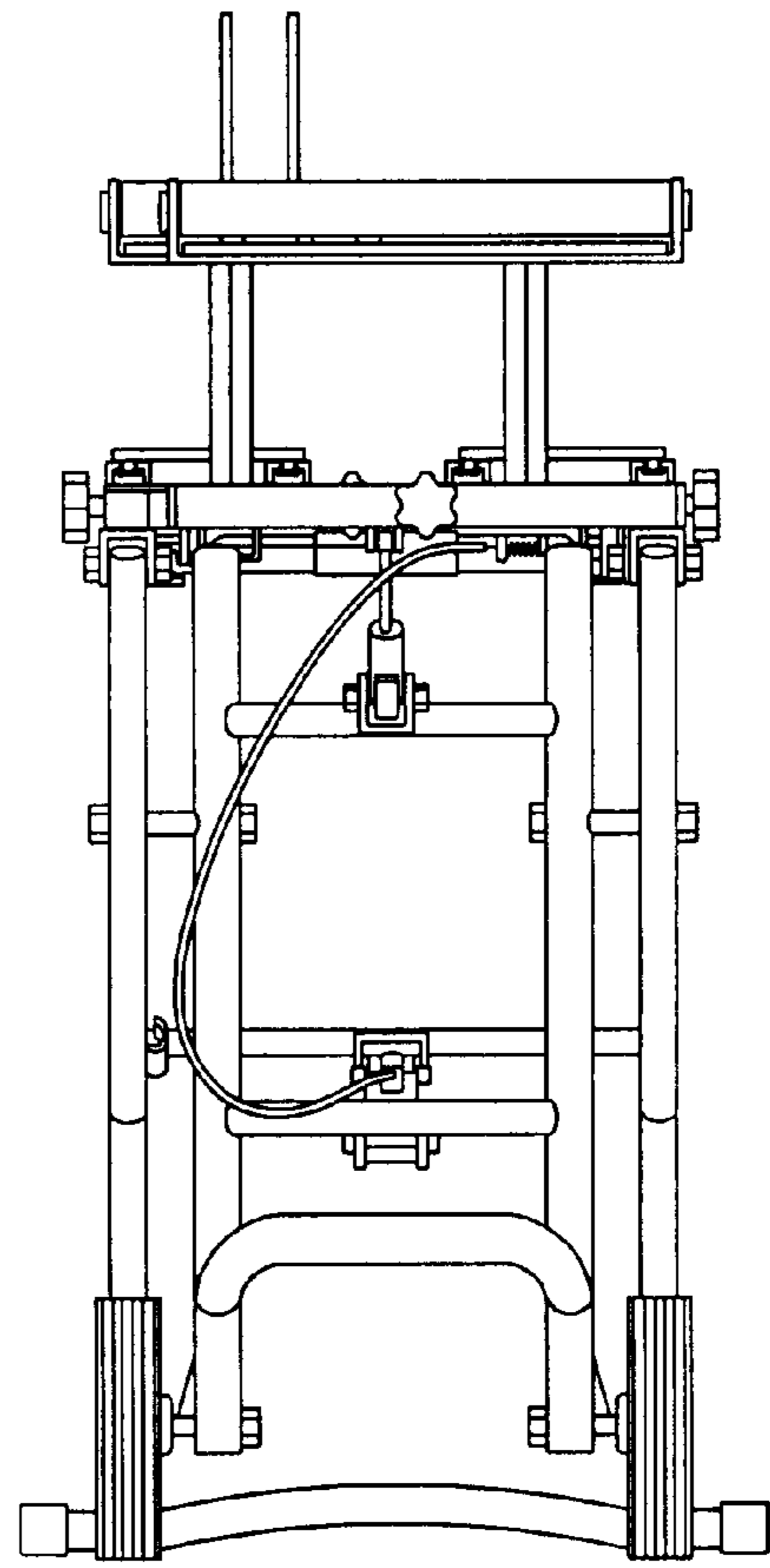


FIG. 5

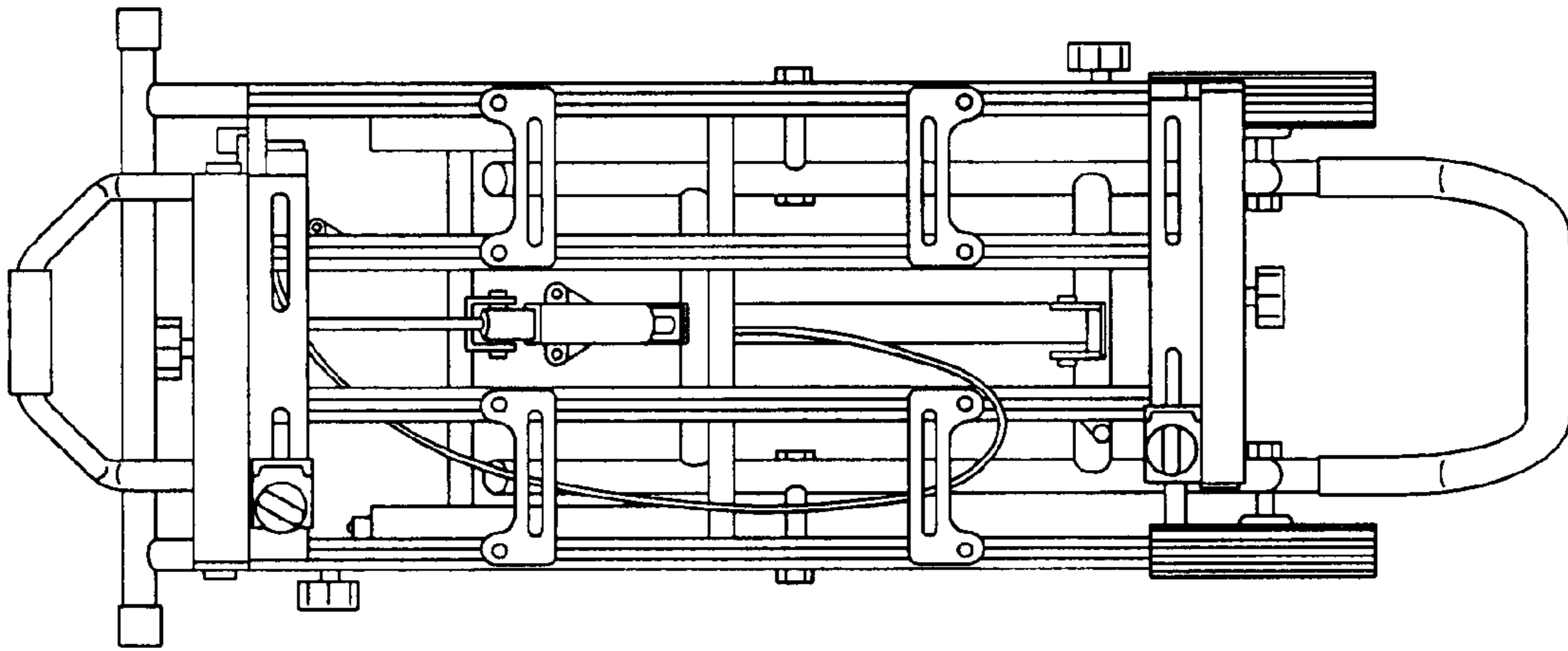


FIG. 6

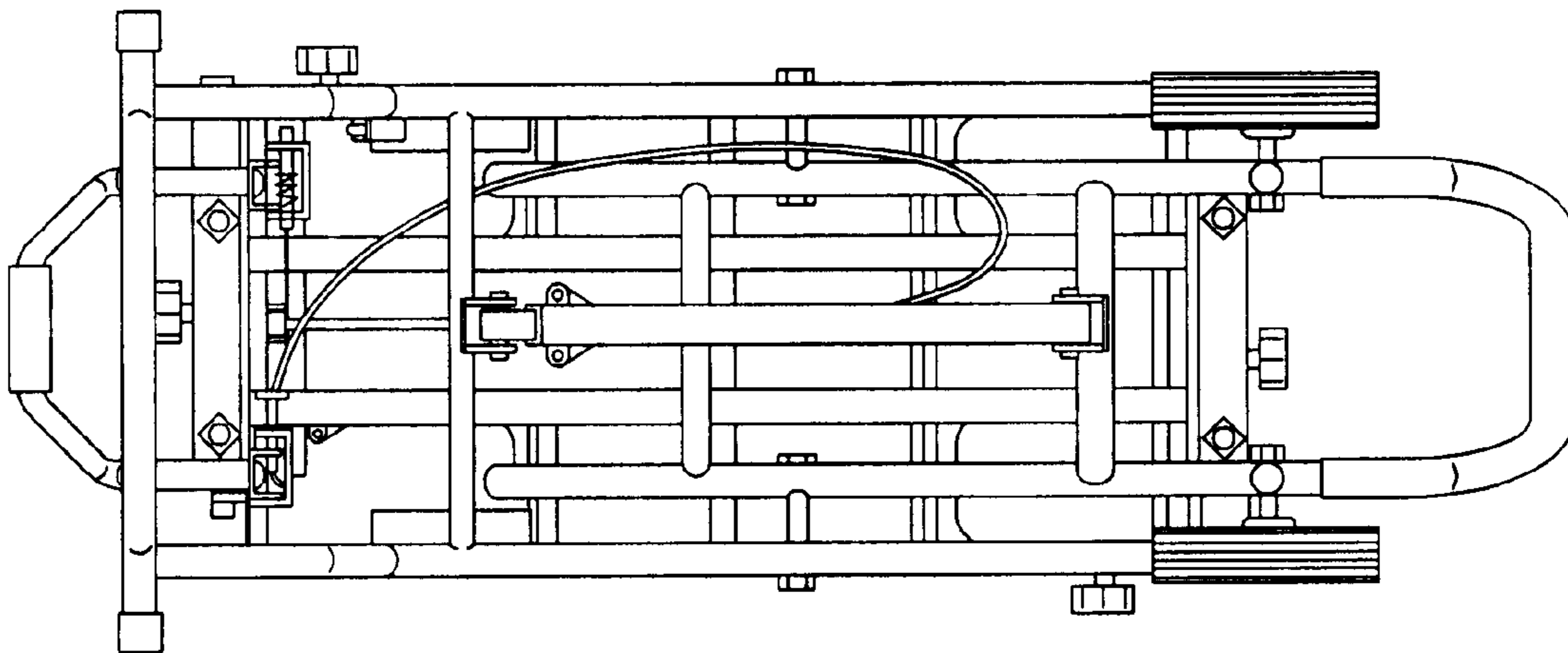


FIG. 7