



US00D527186S

(12) **United States Design Patent**  
**Ma**

(10) **Patent No.:** **US D527,186 S**

(45) **Date of Patent:** **\*\* Aug. 29, 2006**

(54) **BRUSH**

(75) Inventor: **Chan-Min Ma**, Taipei (TW)

(73) Assignee: **DeHa Design Group Co., Ltd.**,  
Torotola (VG)

(\*\*) Term: **14 Years**

(21) Appl. No.: **29/189,746**

(22) Filed: **Sep. 9, 2003**

(51) **LOC (8) Cl.** ..... **04-02**

(52) **U.S. Cl.** ..... **D4/102; D4/127**

(58) **Field of Classification Search** ..... D4/100,  
D4/102, 119, 127, 128; 15/23, 24, 74, 75,  
15/104.011, 104.03, 104.04, 104.05, 104.09,  
15/104.095, 104.096, 104.2, 180, 198  
See application file for complete search history.

(56) **References Cited**

**U.S. PATENT DOCUMENTS**

3,913,163 A \* 10/1975 Durham ..... 15/75  
5,564,149 A \* 10/1996 Matesic et al. .... 15/104.04 X

**FOREIGN PATENT DOCUMENTS**

DE 29602648 U1 \* 6/1996  
JP 2003062761 A \* 3/2003  
JP 2003079433 A \* 3/2003

\* cited by examiner

*Primary Examiner*—Alan P. Douglas

*Assistant Examiner*—Lavone D. Tabor

(74) *Attorney, Agent, or Firm*—Jonathan Alan Quine;  
Quine Intellectual Property Law Group, P.C.

(57) **CLAIM**

The ornamental design for a brush, as shown and described.

**DESCRIPTION**

FIG. 1 is a perspective view of a brush showing my new design;

FIG. 2 is a front elevational view thereof;

FIG. 3 is a rear elevational view thereof;

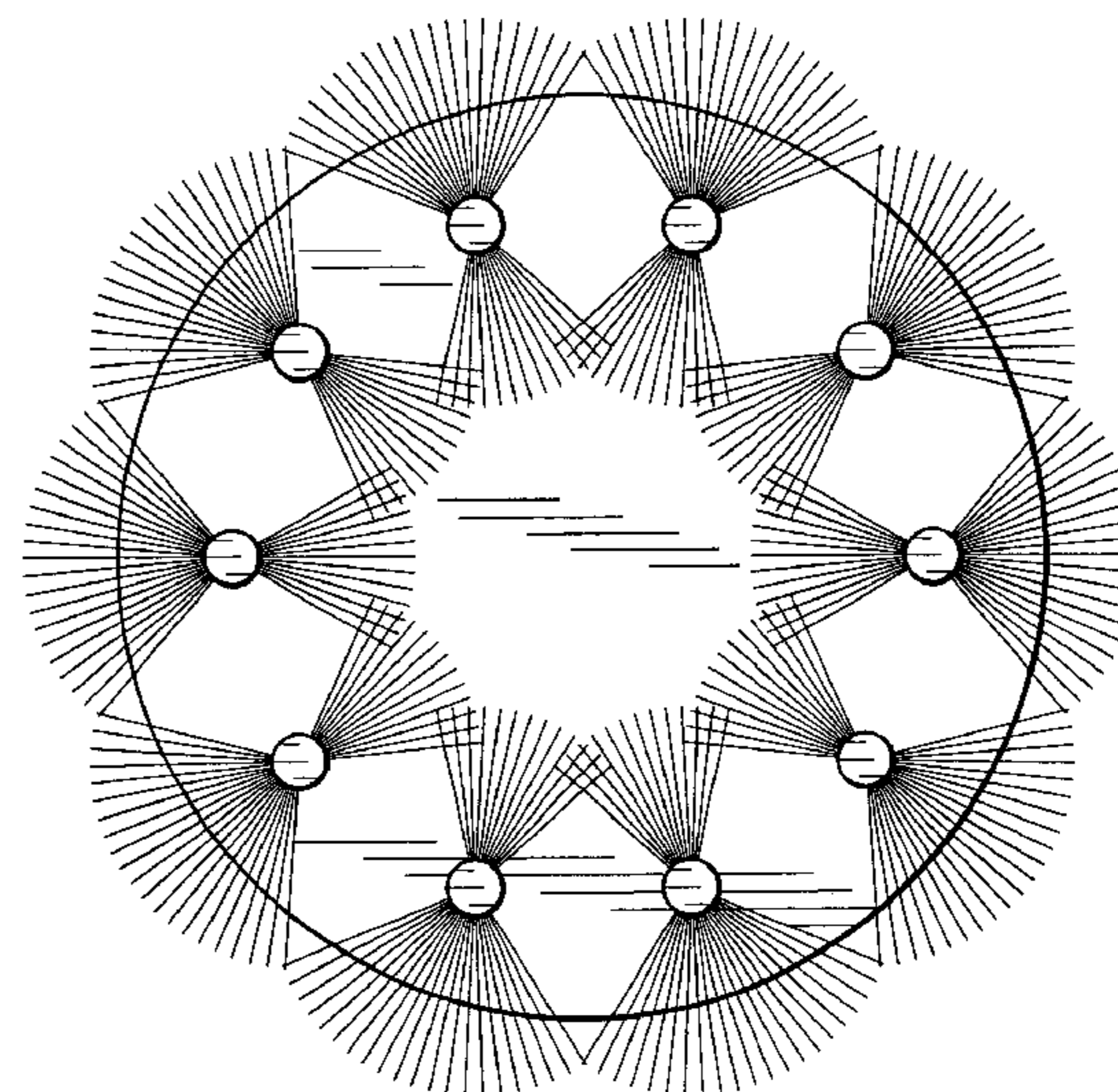
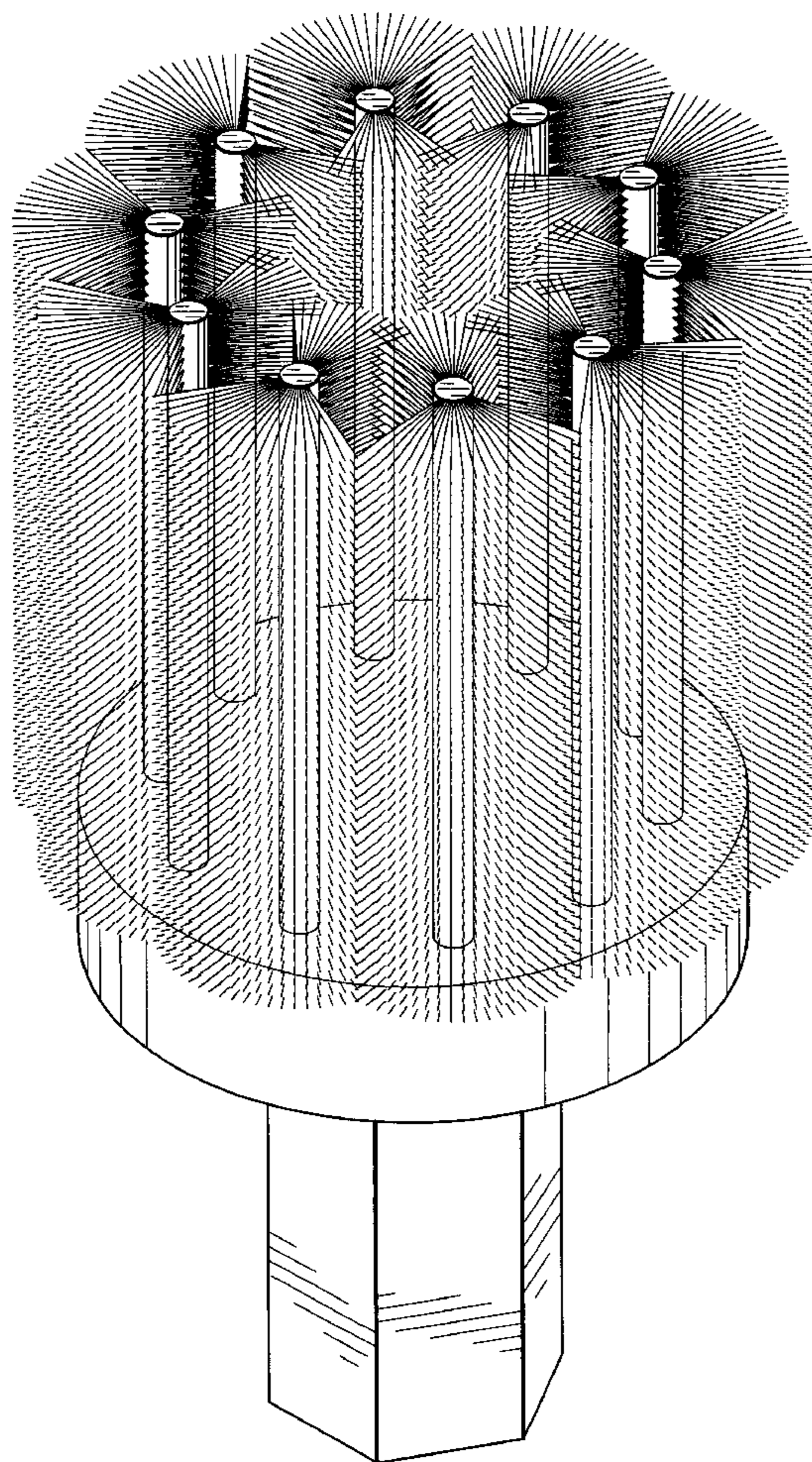
FIG. 4 is a left side elevational view thereof;

FIG. 5 is a right side elevational view thereof;

FIG. 6 is a top plan view thereof; and,

FIG. 7 is a bottom plan view thereof.

**1 Claim, 7 Drawing Sheets**



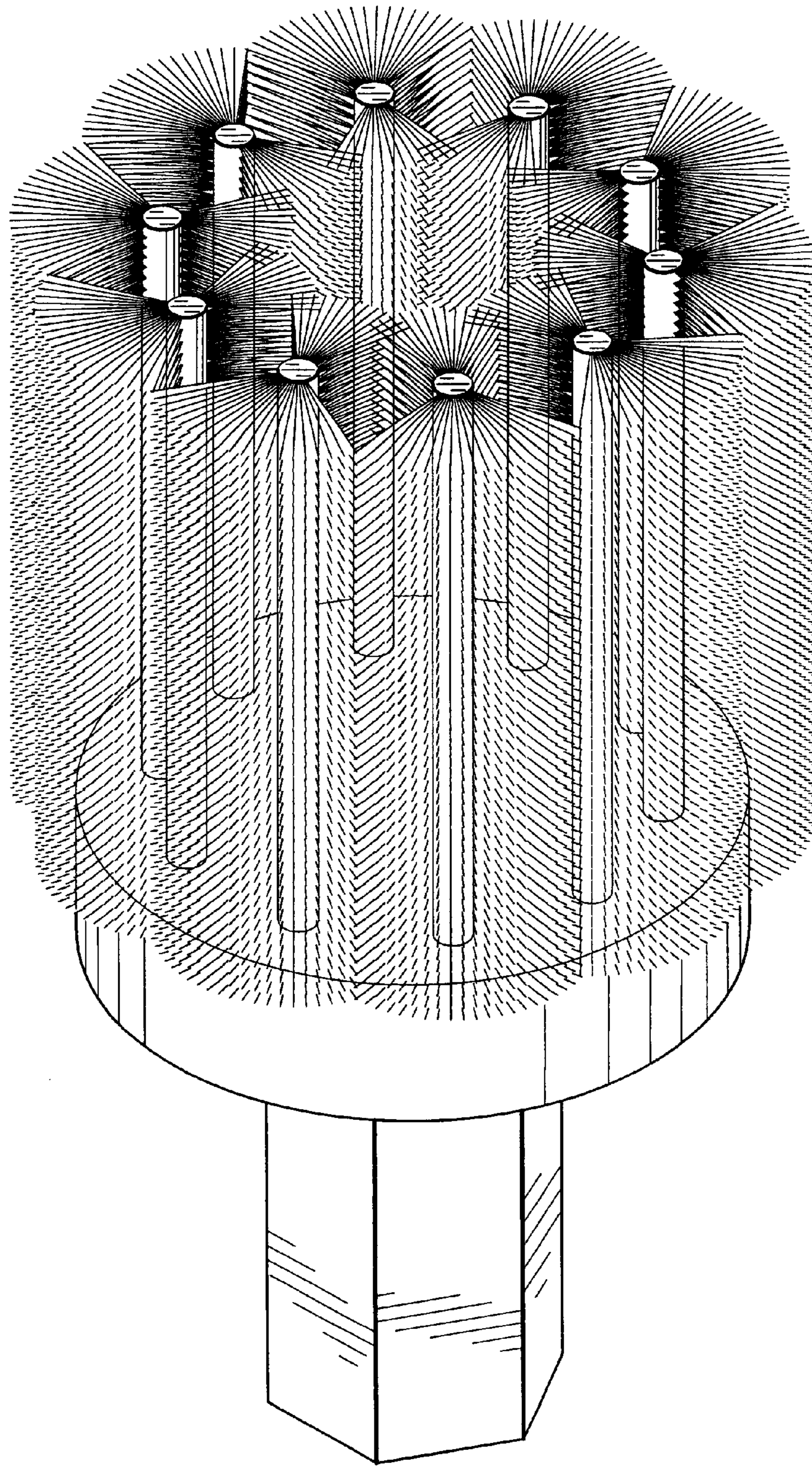


FIG. 1

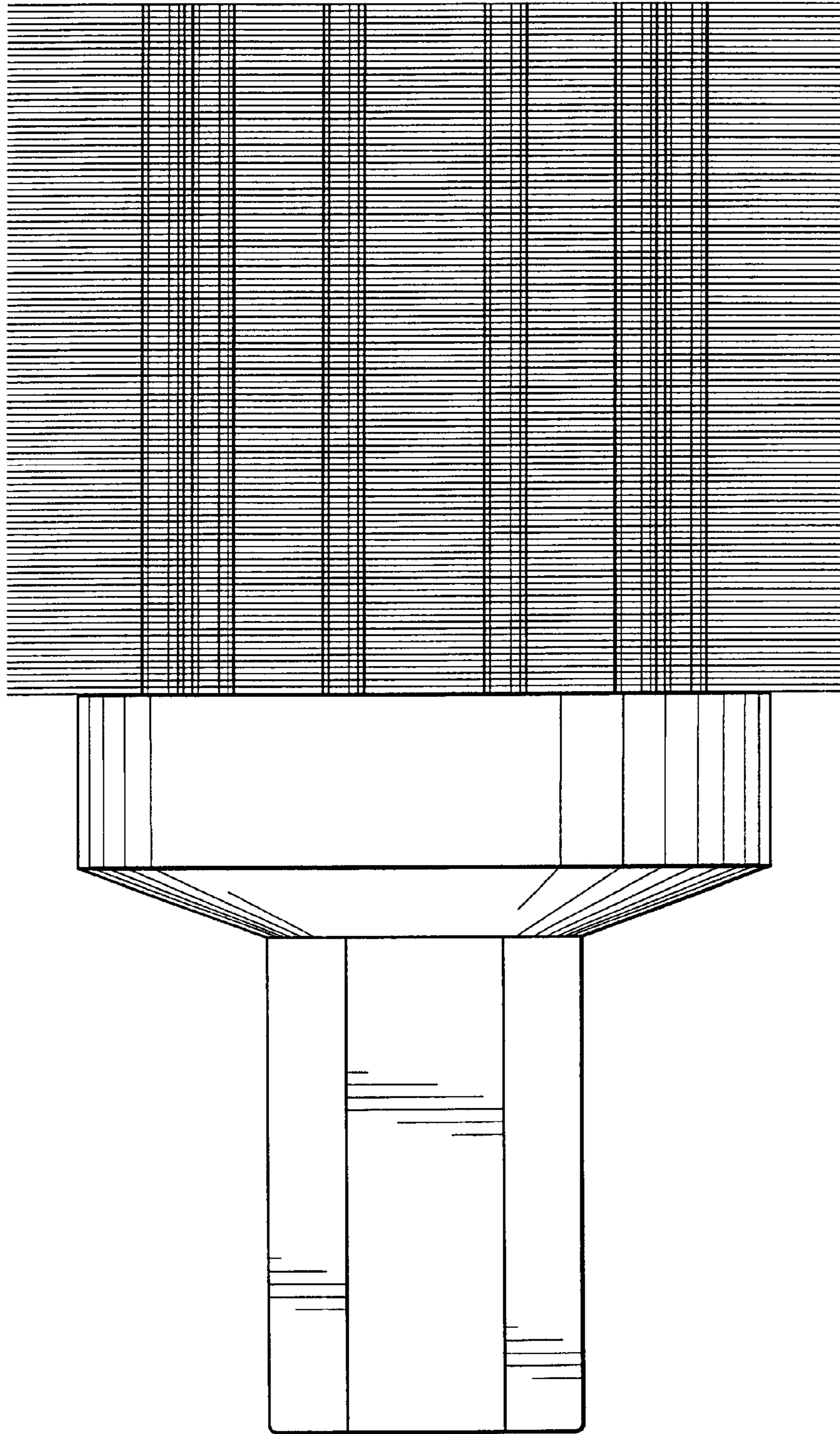


FIG. 2

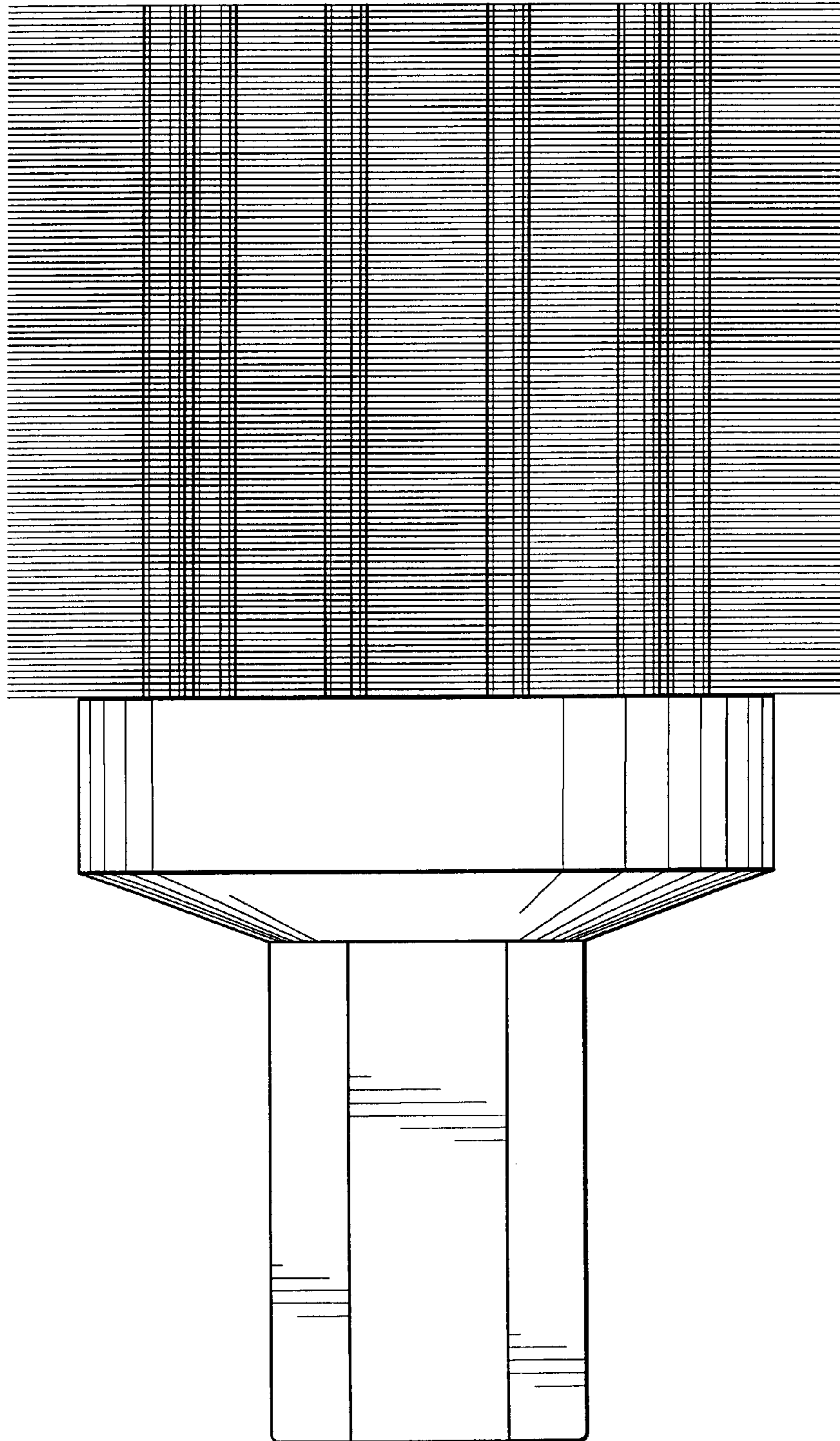


FIG. 3

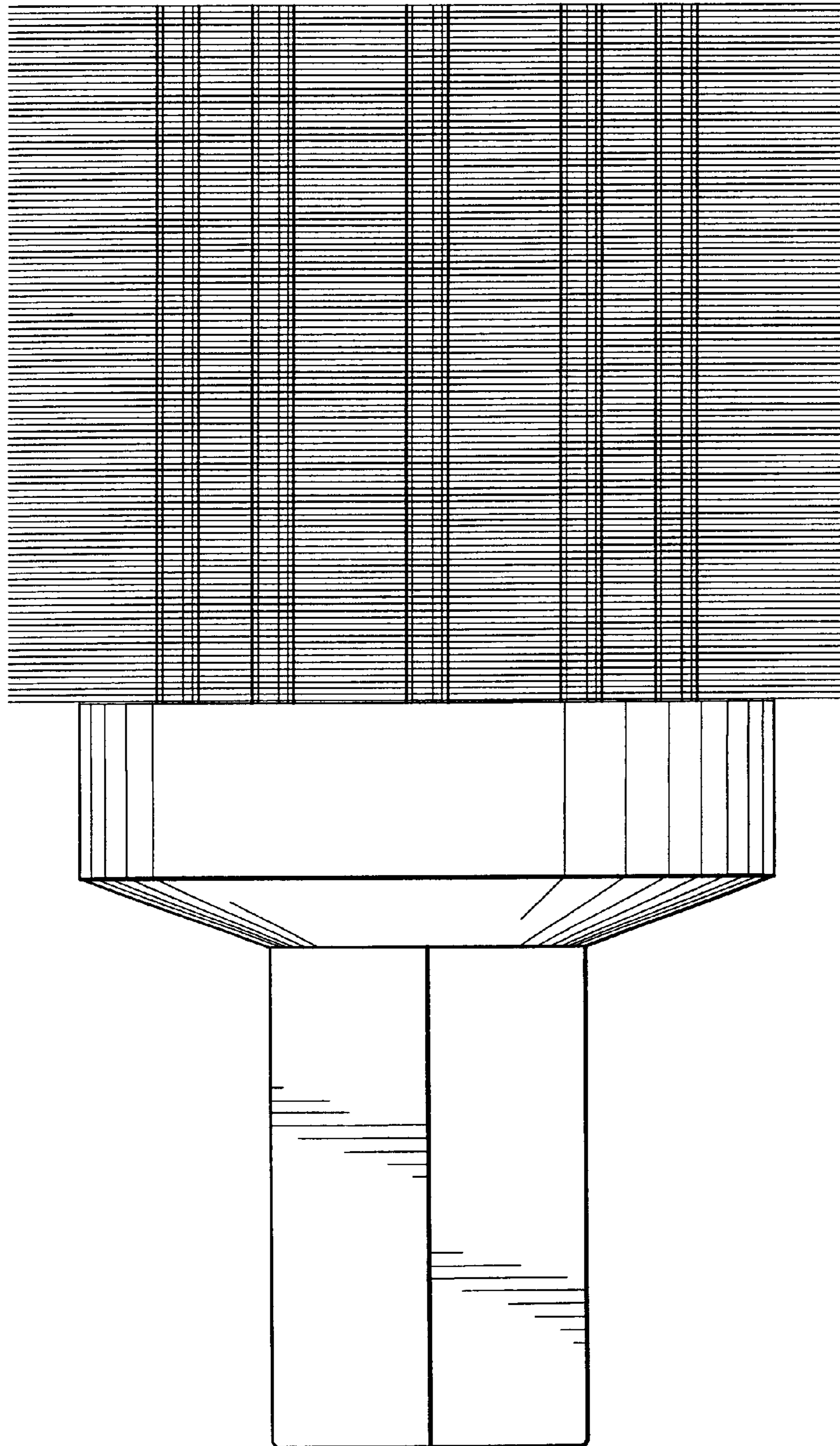


FIG. 4

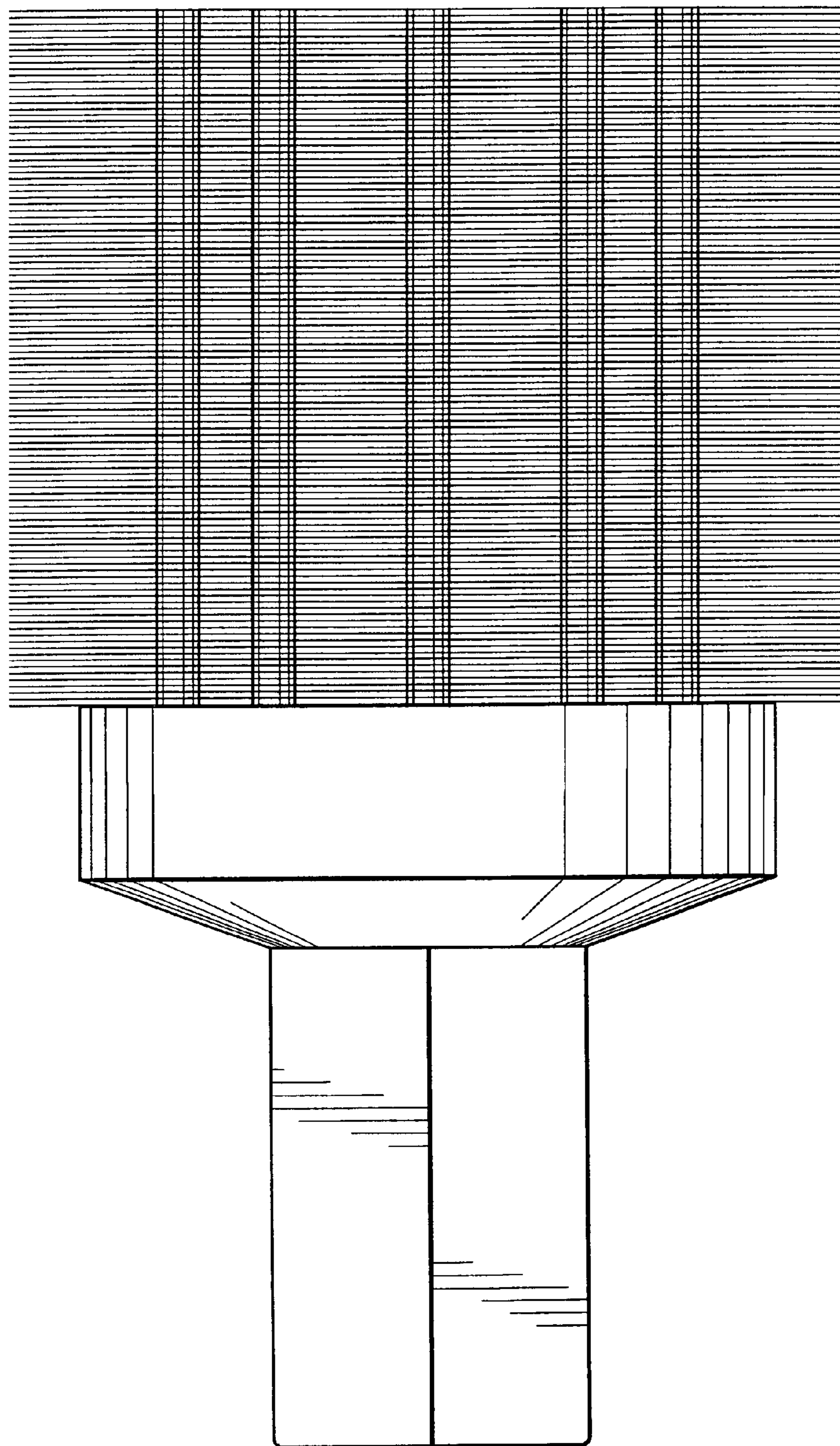


FIG. 5

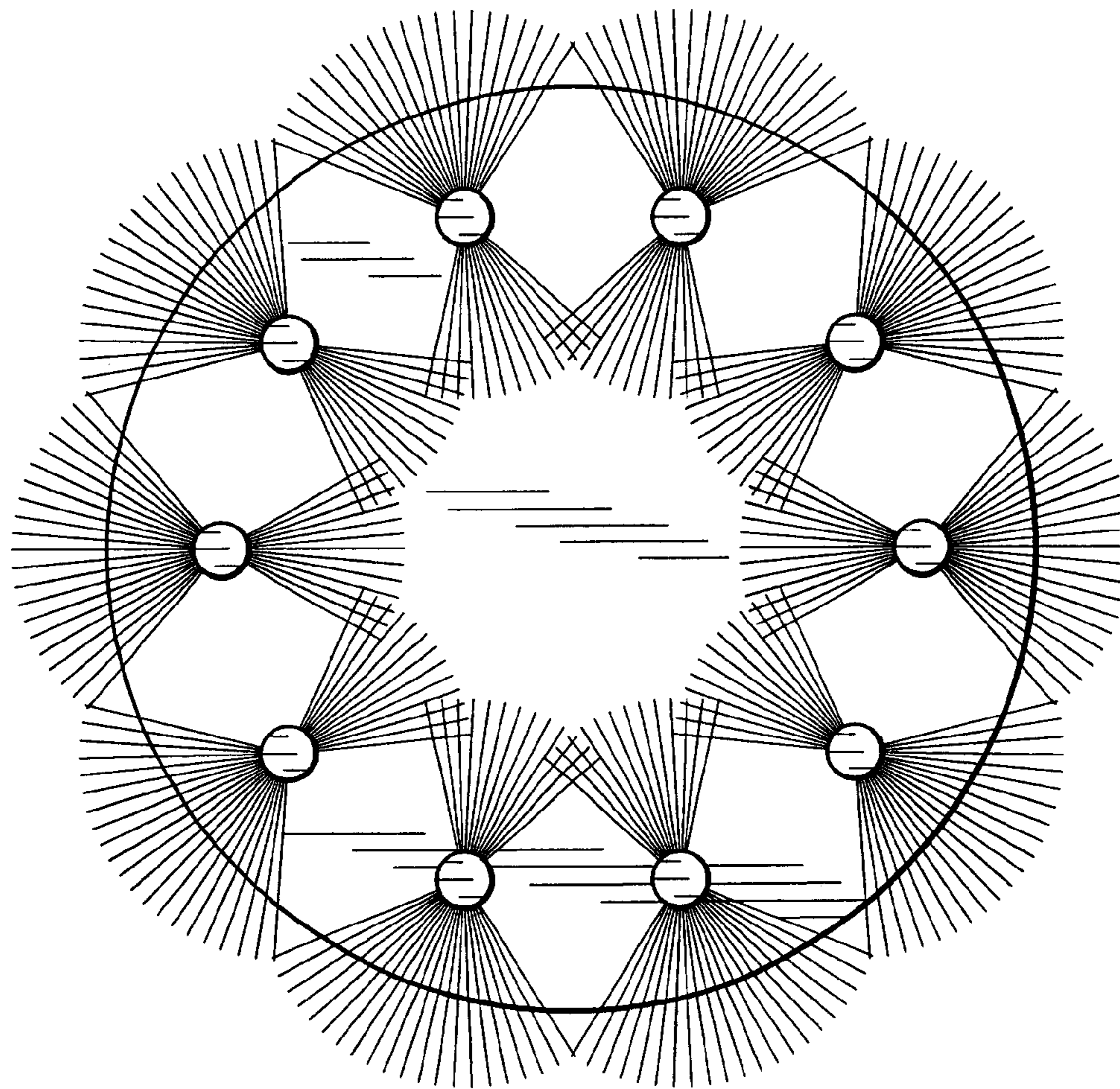


FIG. 6

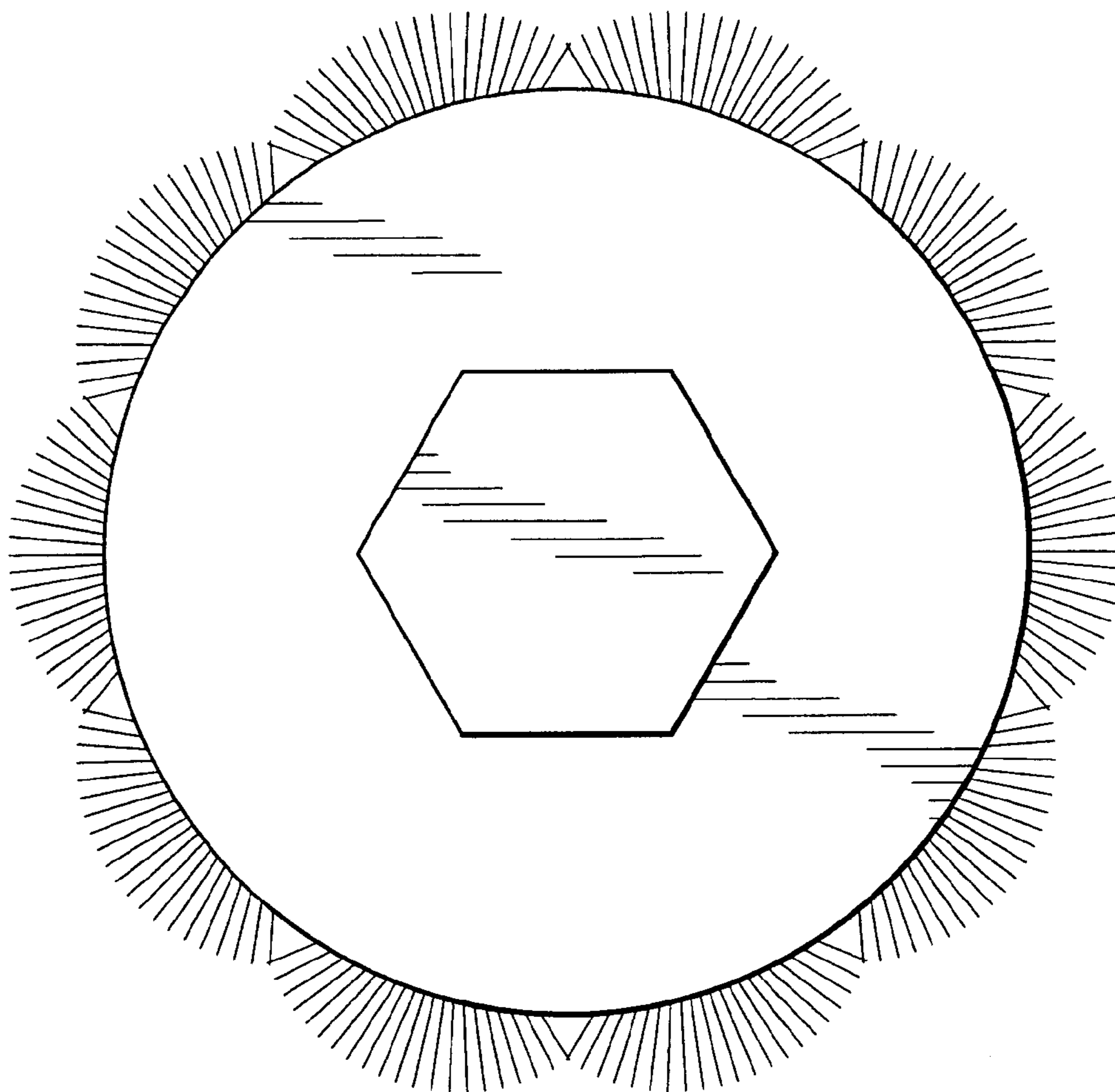


FIG. 7