



US00D527183S

(12) **United States Design Patent**  
**Moon**

(10) **Patent No.:** **US D527,183 S**

(45) **Date of Patent:** **\*\* Aug. 29, 2006**

(54) **LUGGAGE HANDLE**

(76) **Inventor:** **Jerry Moon**, P.O. Box 24-108, Taipei (TW)

(\*\*) **Term:** **14 Years**

(21) **Appl. No.:** **29/235,444**

(22) **Filed:** **Aug. 3, 2005**

(51) **LOC (8) Cl.** ..... **03-01**

(52) **U.S. Cl.** ..... **D3/318**

(58) **Field of Classification Search** ..... D3/218,  
D3/328, 279, 282, 320, 215, 254, 255, 276,  
D3/281, 291; D8/14, 300, 302, 206, 315,  
D8/316, 317, 319, 320; D34/24, 26; 24/599.5;  
16/110.1, 113.1, 114.1, 405, 406, 408, 421,  
16/422, 429, 430, 431, 445; 190/18 A, 39,  
190/102, 103, 111, 115; 280/37, 655, 655.1,  
280/DIG. 6

See application file for complete search history.

(56) **References Cited**

**U.S. PATENT DOCUMENTS**

5,651,581 A \* 7/1997 Myers et al. .... 16/421

D451,779 S \* 12/2001 du Sartel ..... D3/318  
6,470,533 B1 \* 10/2002 Comstock ..... 16/406  
D486,647 S \* 2/2004 Nordstrom et al. .... D3/318  
D486,648 S \* 2/2004 Fenton ..... D3/318  
D489,181 S \* 5/2004 Moon ..... D3/318

\* cited by examiner

*Primary Examiner*—Louis S. Zarfes

*Assistant Examiner*—Monica A. Weingart

(57) **CLAIM**

The ornamental design for a luggage handle, as shown and described.

**DESCRIPTION**

FIG. 1 is a perspective view of a luggage handle showing my new design;

FIG. 2 is a front elevational view thereof;

FIG. 3 is a rear elevational view thereof;

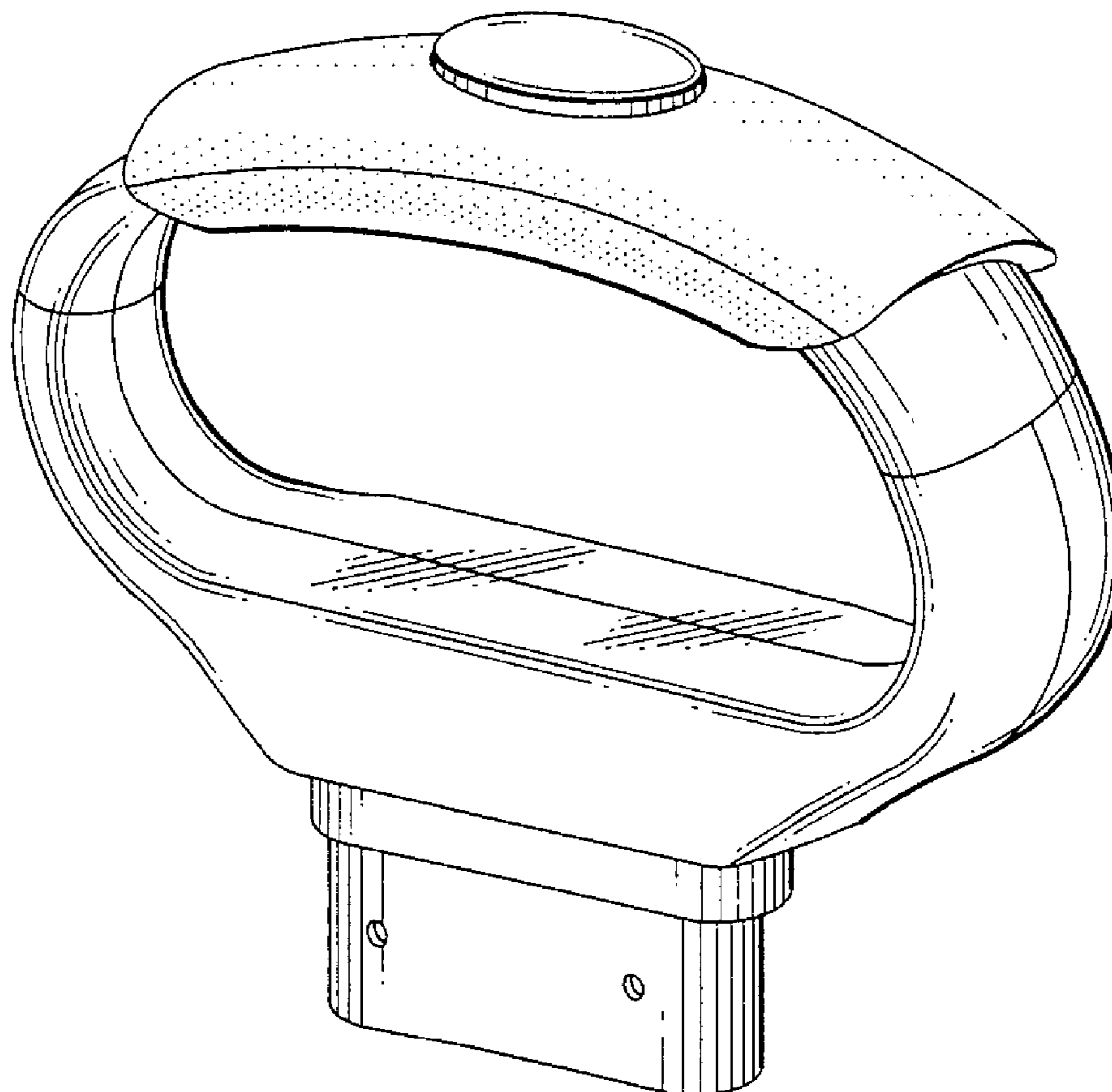
FIG. 4 is a left side elevational view thereof;

FIG. 5 is a right side elevational view thereof;

FIG. 6 is top plan view thereof; and,

FIG. 7 is a bottom plan view thereof.

**1 Claim, 3 Drawing Sheets**



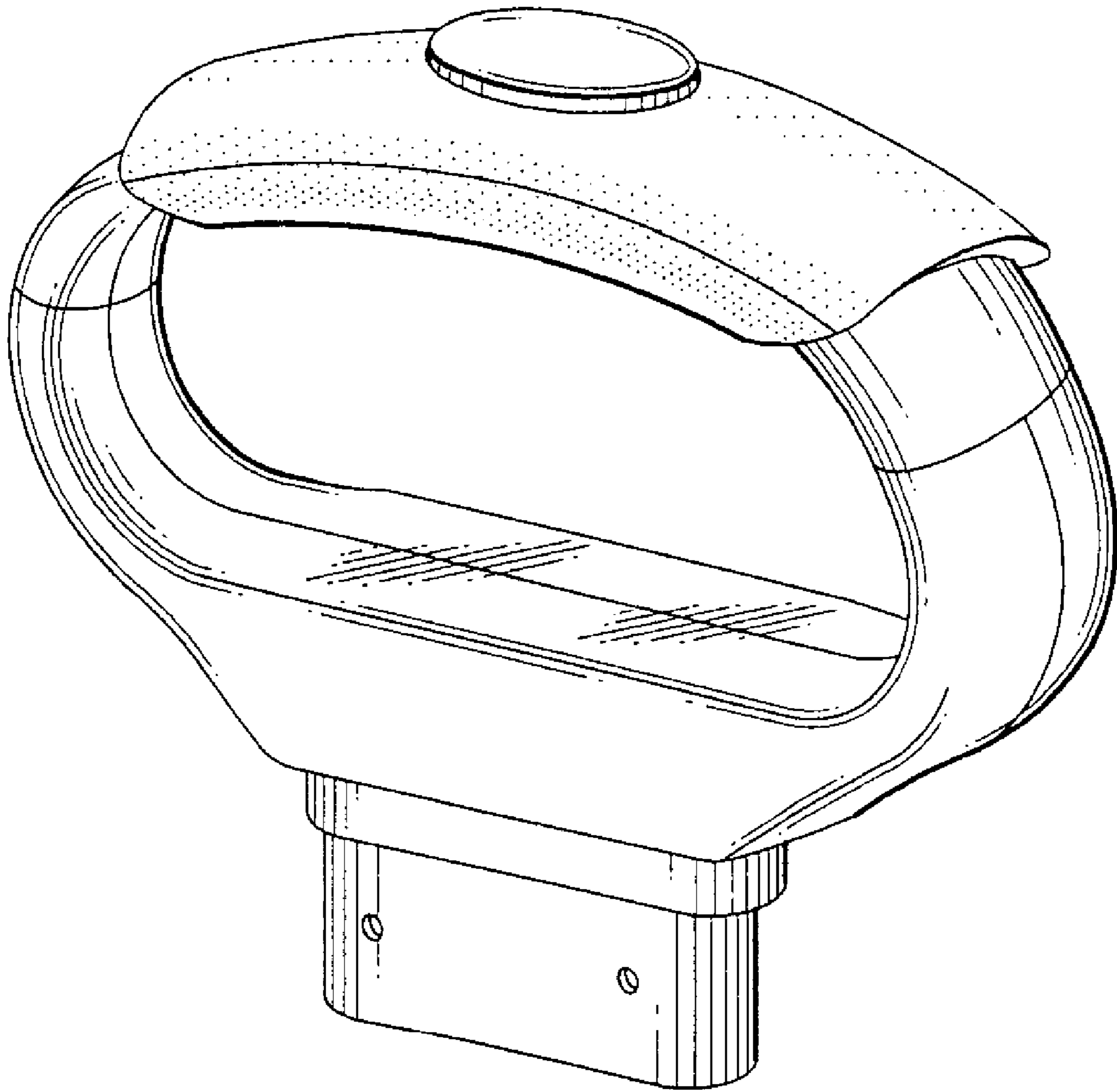


FIG. 1

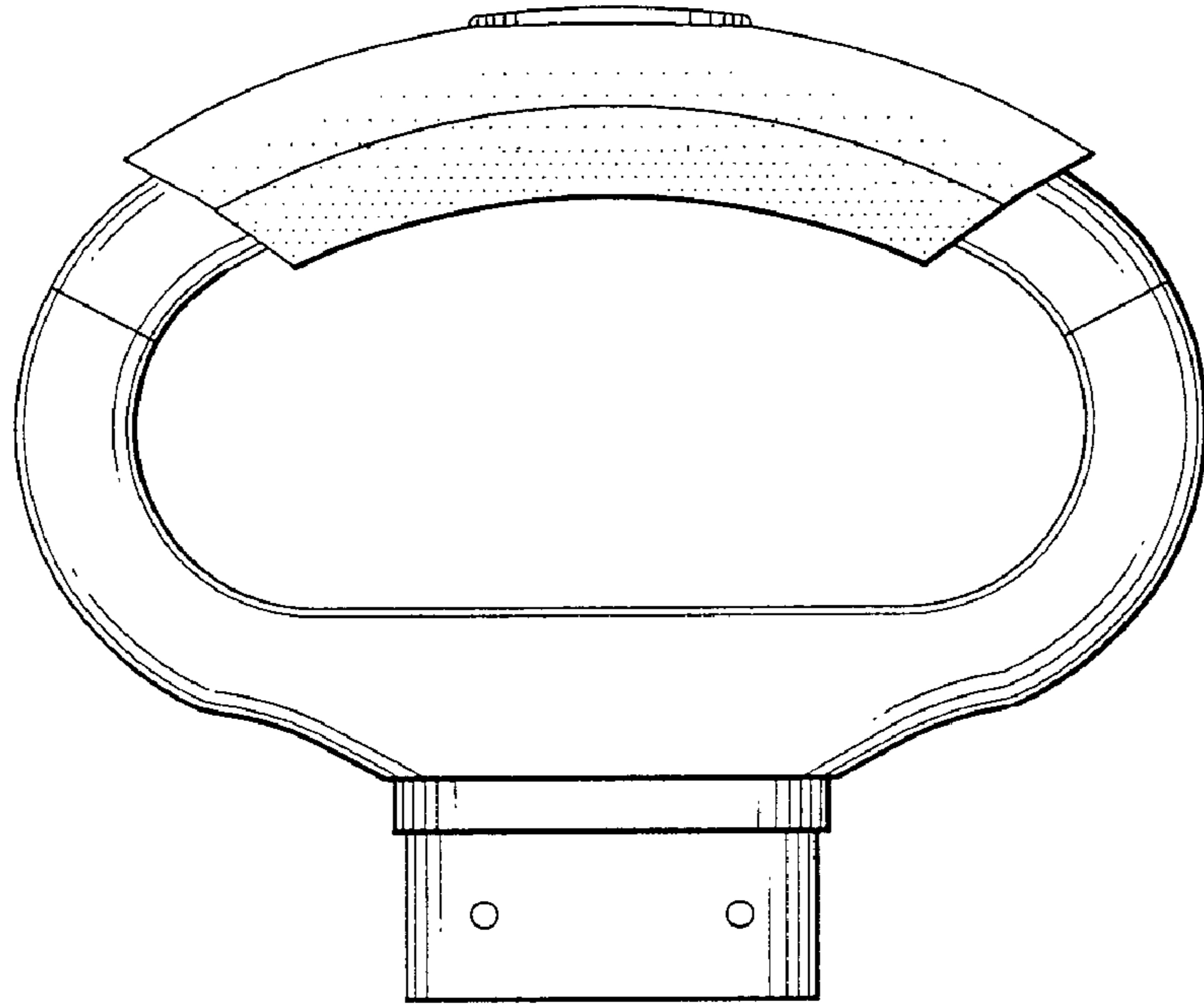


FIG. 2

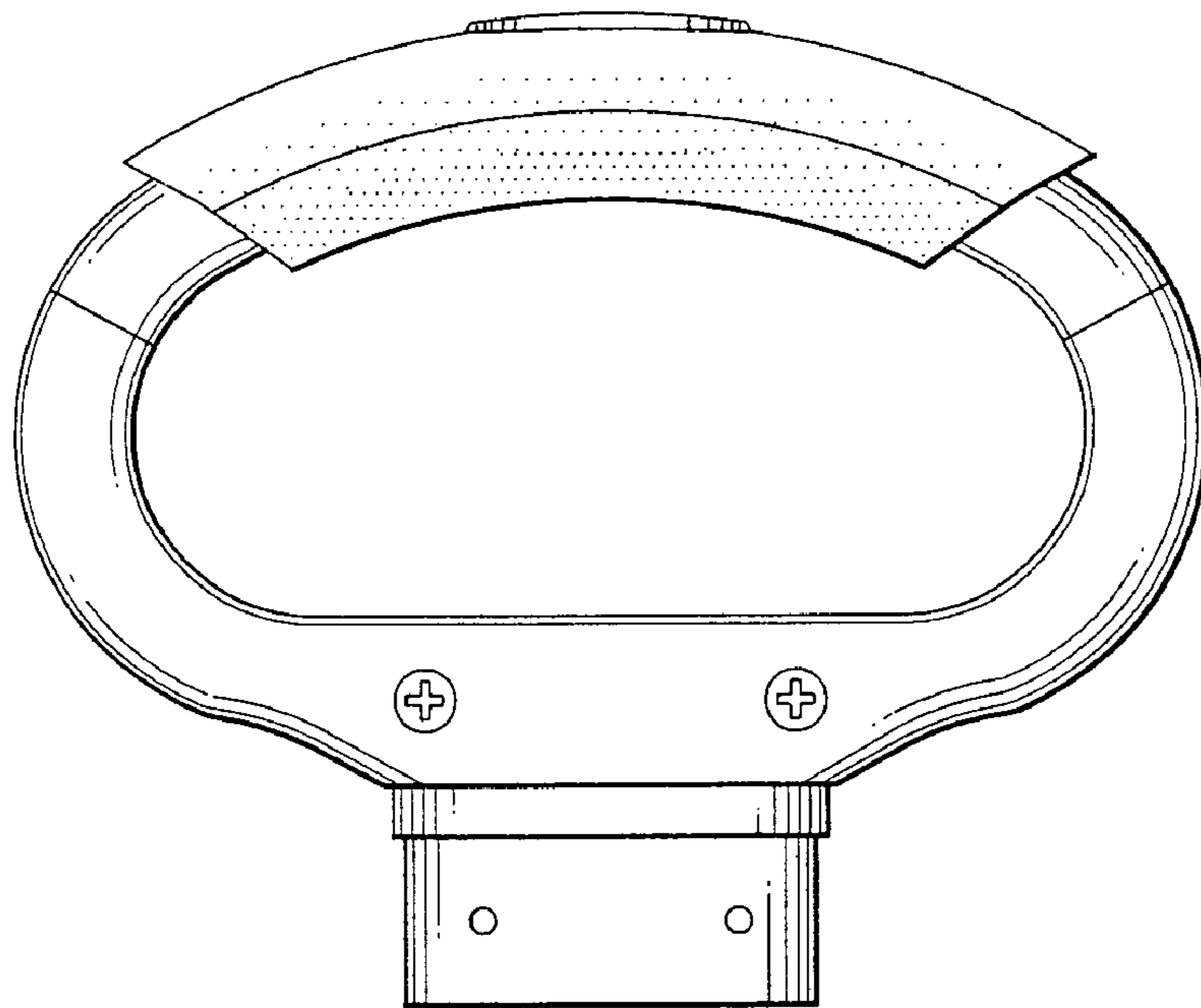


FIG. 3

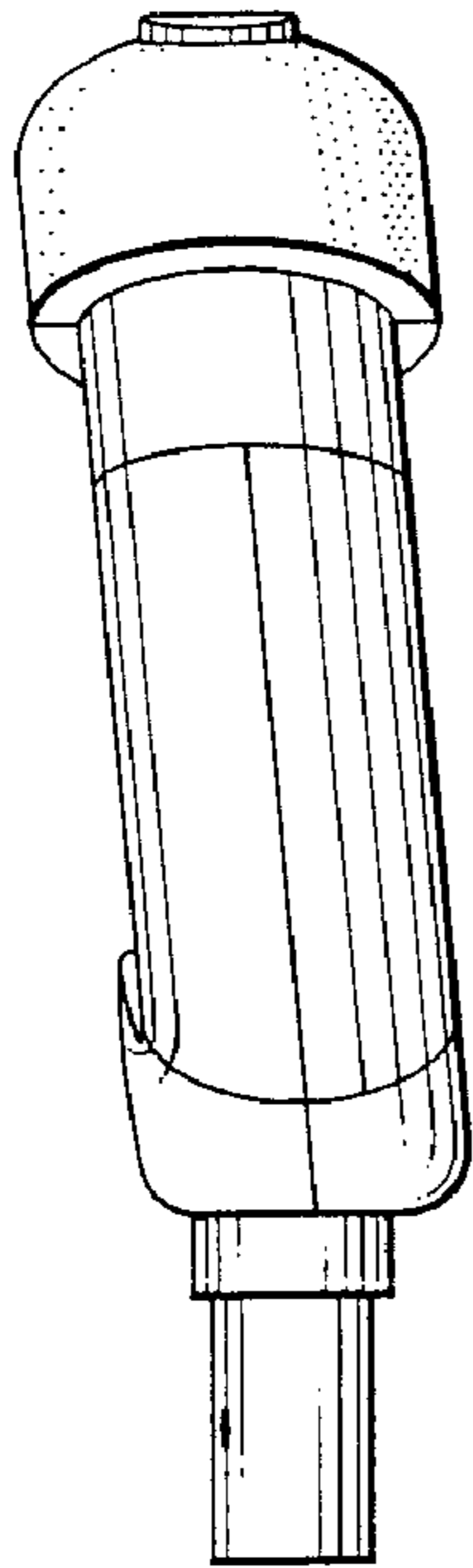


FIG. 4

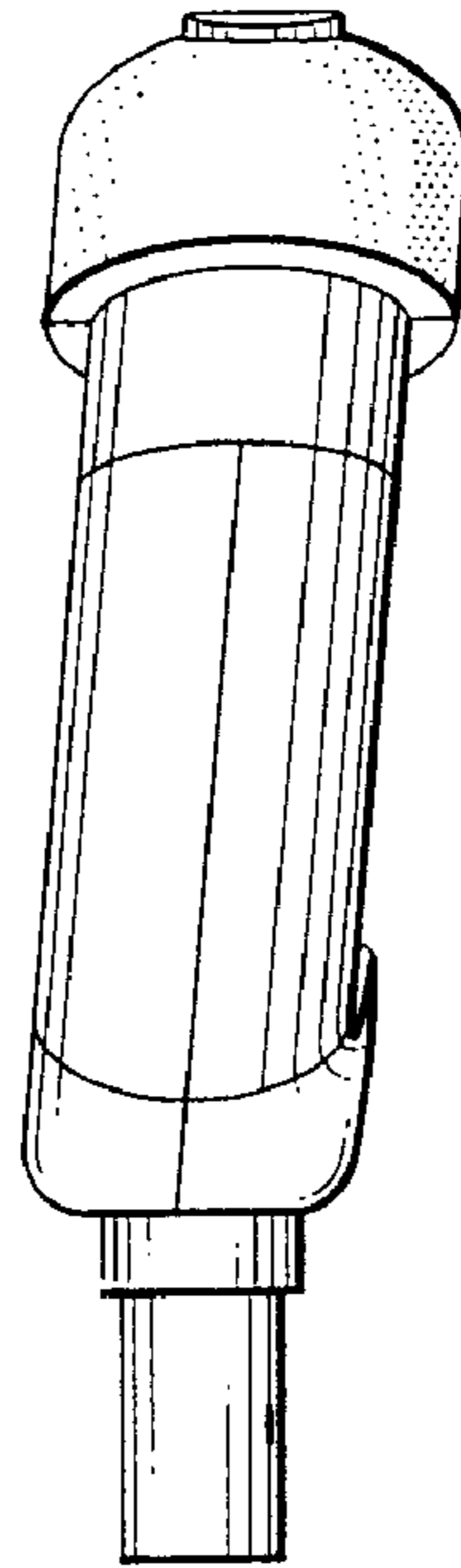


FIG. 5

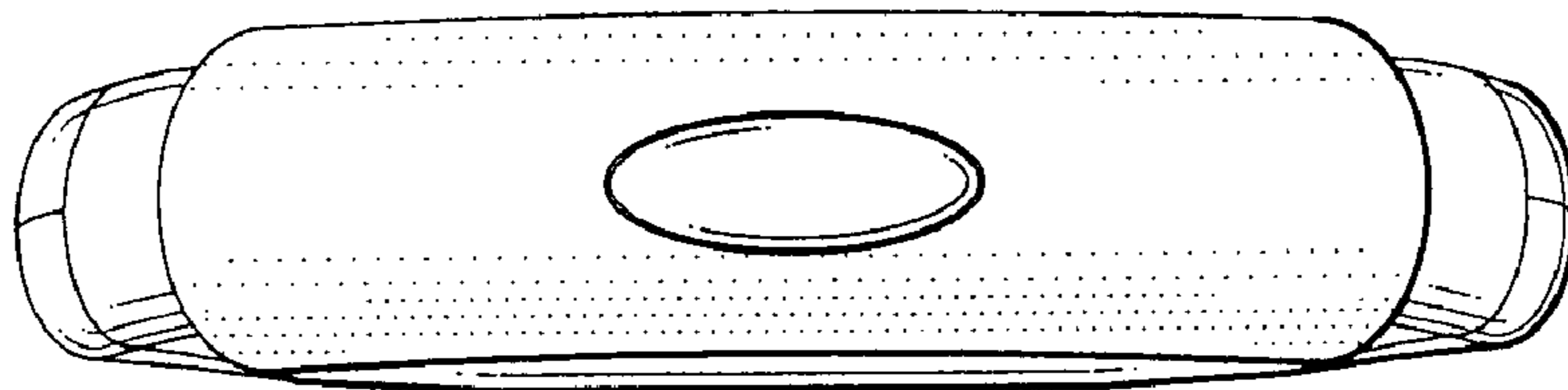


FIG. 6

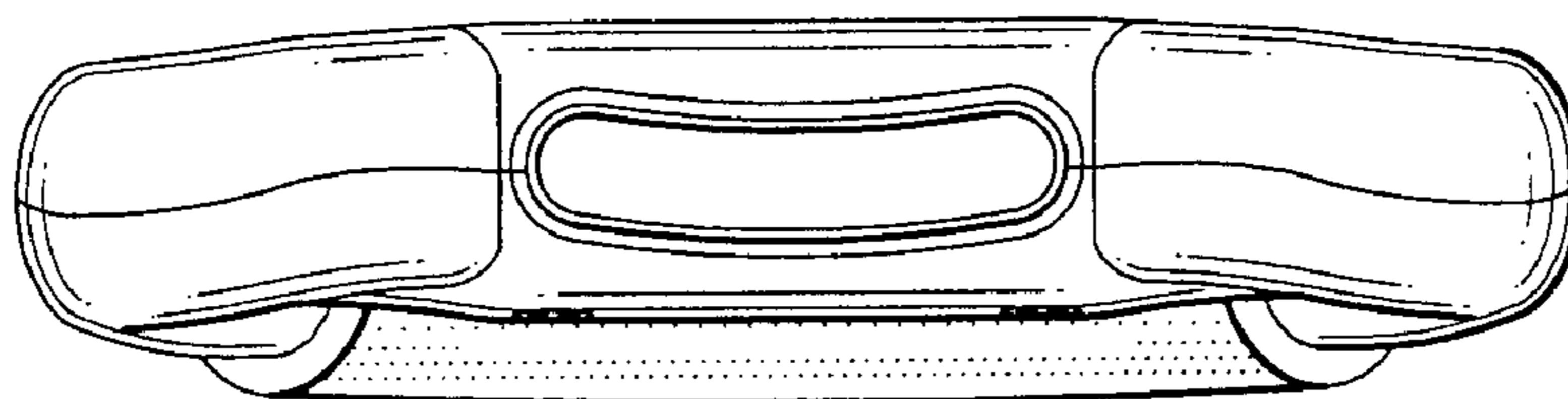


FIG. 7