



US00D527181S

(12) **United States Design Patent**
Henning et al.

(10) **Patent No.:** **US D527,181 S**

(45) **Date of Patent:** **** Aug. 29, 2006**

(54) **FRAMED CONTAINER**

(75) Inventors: **Peter H. Henning**, Sugar Grove, IL
(US); **John Whalen**, Sheridan, IL (US)

(73) Assignee: **Plano Molding Company**, Plano, IL
(US)

(**) Term: **14 Years**

(21) Appl. No.: **29/223,404**

(22) Filed: **Feb. 14, 2005**

(51) **LOC (8) Cl.** **03-01**

(52) **U.S. Cl.** **D3/276; D3/281; D3/282;**
D3/291

(58) **Field of Classification Search** **D3/272-273,**
D3/276, 281-282, 291, 294, 302, 307, 905;
D9/420, 423-426, 429, 432; 190/19, 24;
206/349, 372-373; 312/902
See application file for complete search history.

(56) **References Cited**

U.S. PATENT DOCUMENTS

D319,016 S	*	8/1991	Kahl	D9/424
D321,090 S	*	10/1991	Dickinson	D3/294
D321,091 S	*	10/1991	Dickinson	D3/294
D329,747 S	*	9/1992	Embree	D3/294
D347,324 S	*	5/1994	Dickinson	D3/272
D361,511 S	*	8/1995	Dickinson et al.	D9/425
D363,879 S	*	11/1995	Krupa et al.	D9/423
D374,772 S	*	10/1996	Hotaling et al.	D3/276
D382,795 S	*	8/1997	Abayhan et al.	D9/425
D385,110 S	*	10/1997	Yemini	D3/282

D394,550 S	*	5/1998	Tanji	D3/273
D401,409 S	*	11/1998	Yemini	D3/281
D413,202 S	*	8/1999	Schmitt et al.	D3/276
D419,297 S	*	1/2000	Richardson et al.	D3/273
D419,767 S	*	2/2000	Richardson et al.	D3/273
D434,225 S	*	11/2000	Story et al.	D3/281
D435,341 S	*	12/2000	Li	D3/276
D441,954 S	*	5/2001	Parker	D3/279
D451,278 S	*	12/2001	Cooper	D3/294
D453,624 S	*	2/2002	Itzkovitch	D3/276
D459,073 S	*	6/2002	Lee	D3/276
D472,384 S	*	4/2003	Richardson	D3/273

* cited by examiner

Primary Examiner—Philip S. Hyder

Assistant Examiner—RoseLynne (Ulm) Cody

(74) *Attorney, Agent, or Firm*—Vedder, Price, Kaufman & Kammholz, P.C.

(57) **CLAIM**

The ornamental design for a framed container, as shown and described.

DESCRIPTION

FIG. 1 is a perspective view of a framed container showing the new design;

FIG. 2 is a front elevational view;

FIG. 3 is a right elevational side view;

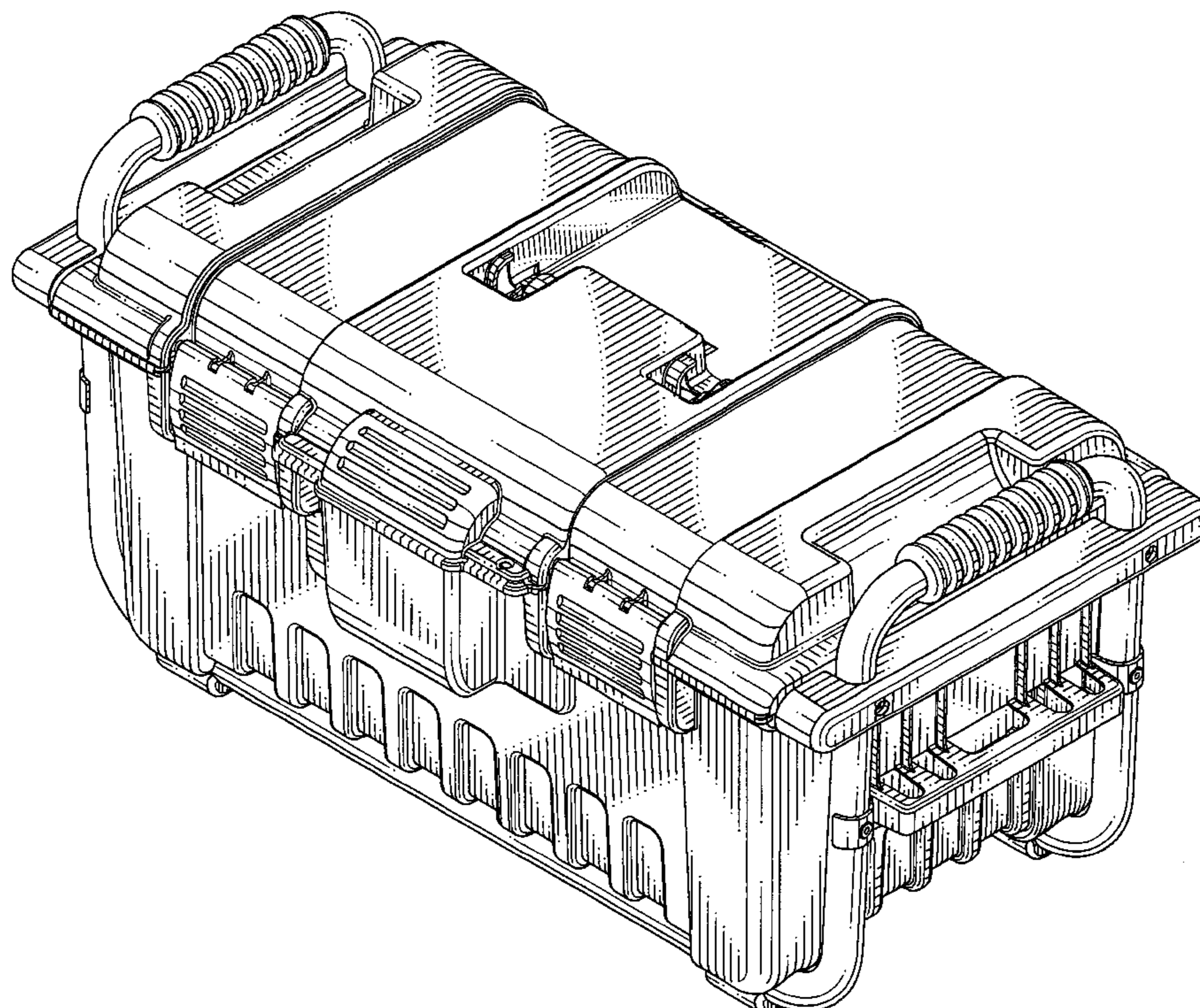
FIG. 4 is a rear elevational view;

FIG. 5 is a left elevational side view;

FIG. 6 is a top plan view; and,

FIG. 7 is a bottom plan view.

1 Claim, 7 Drawing Sheets



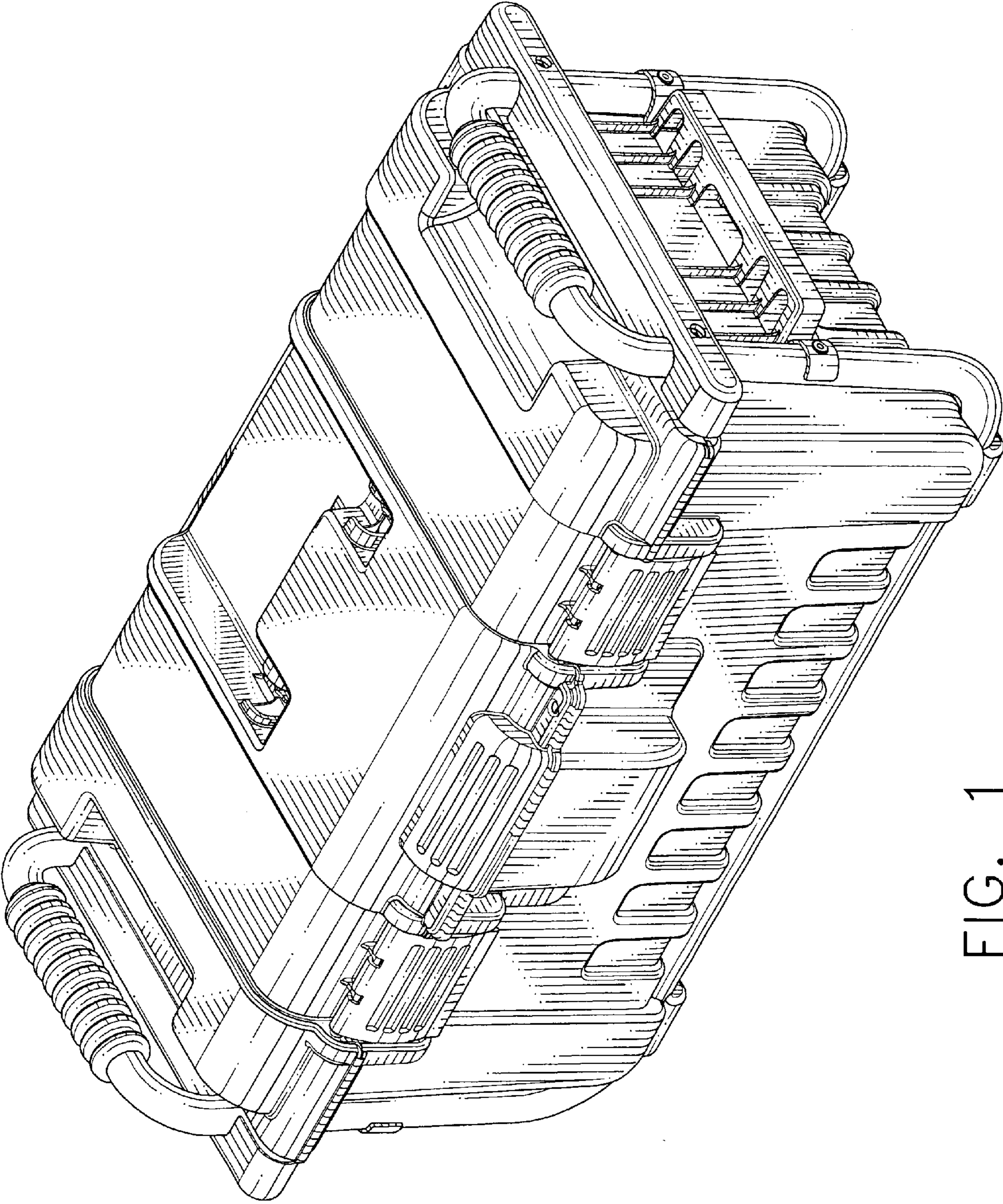


FIG. 1

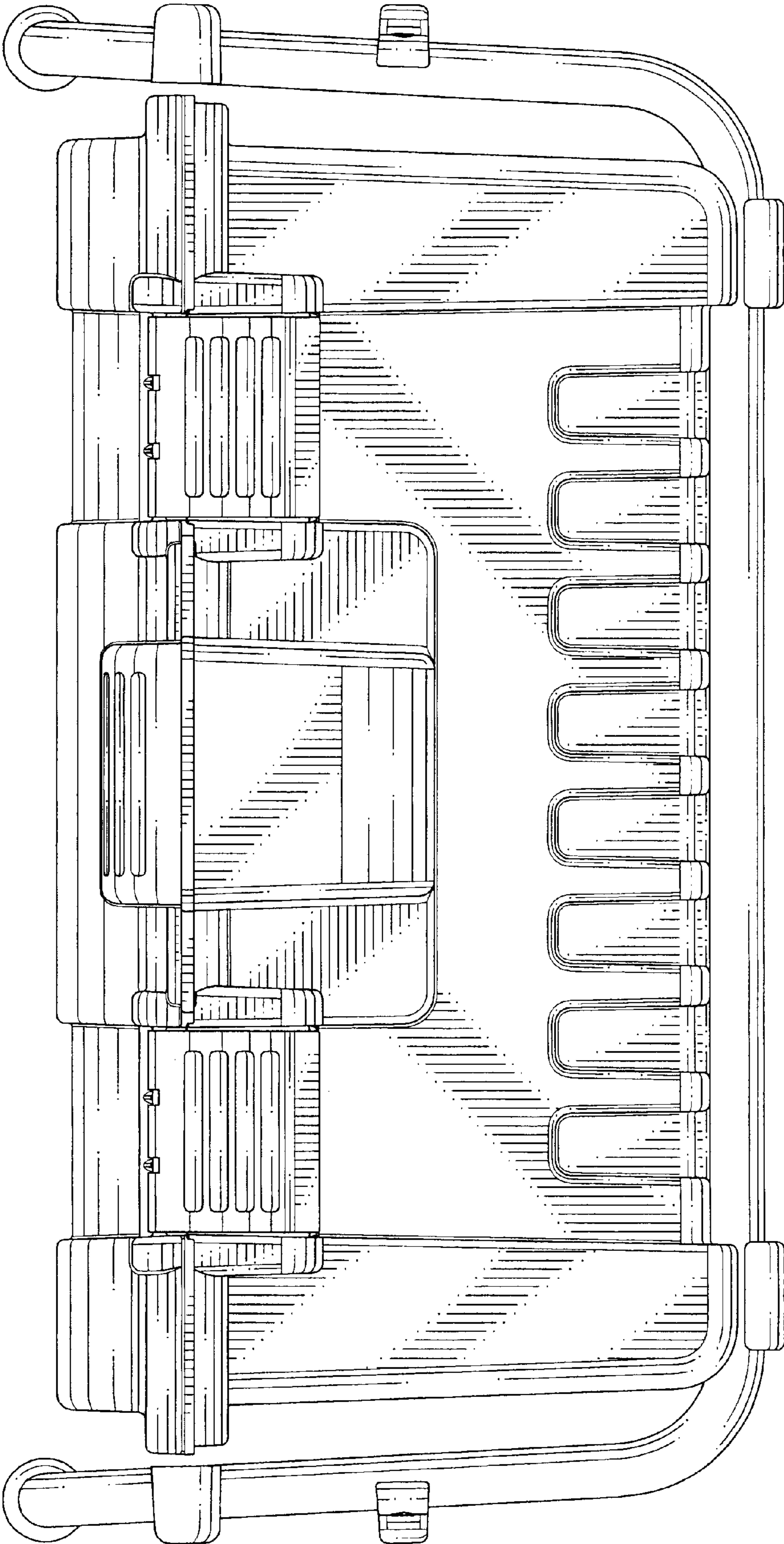


FIG. 2

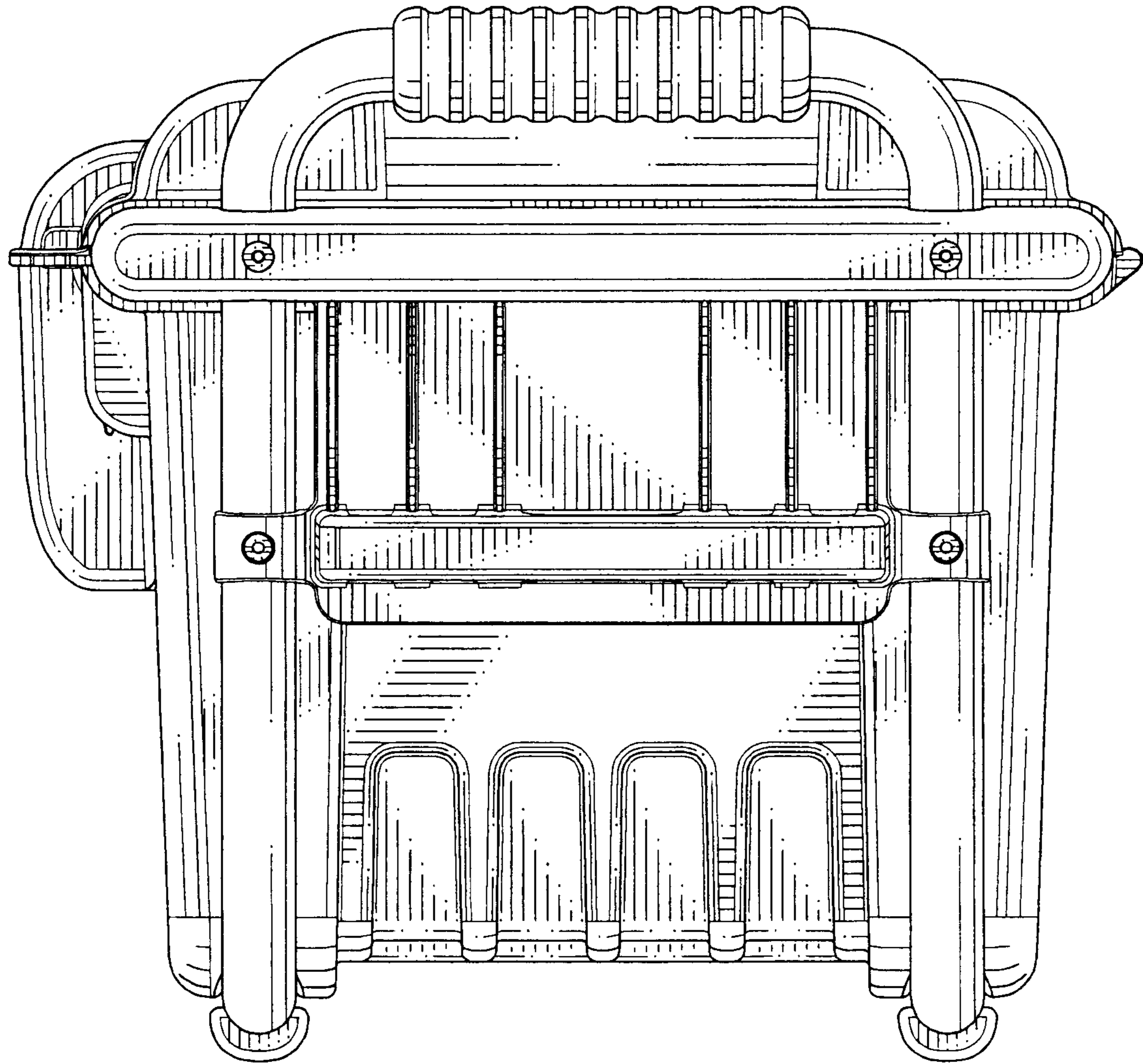


FIG. 3

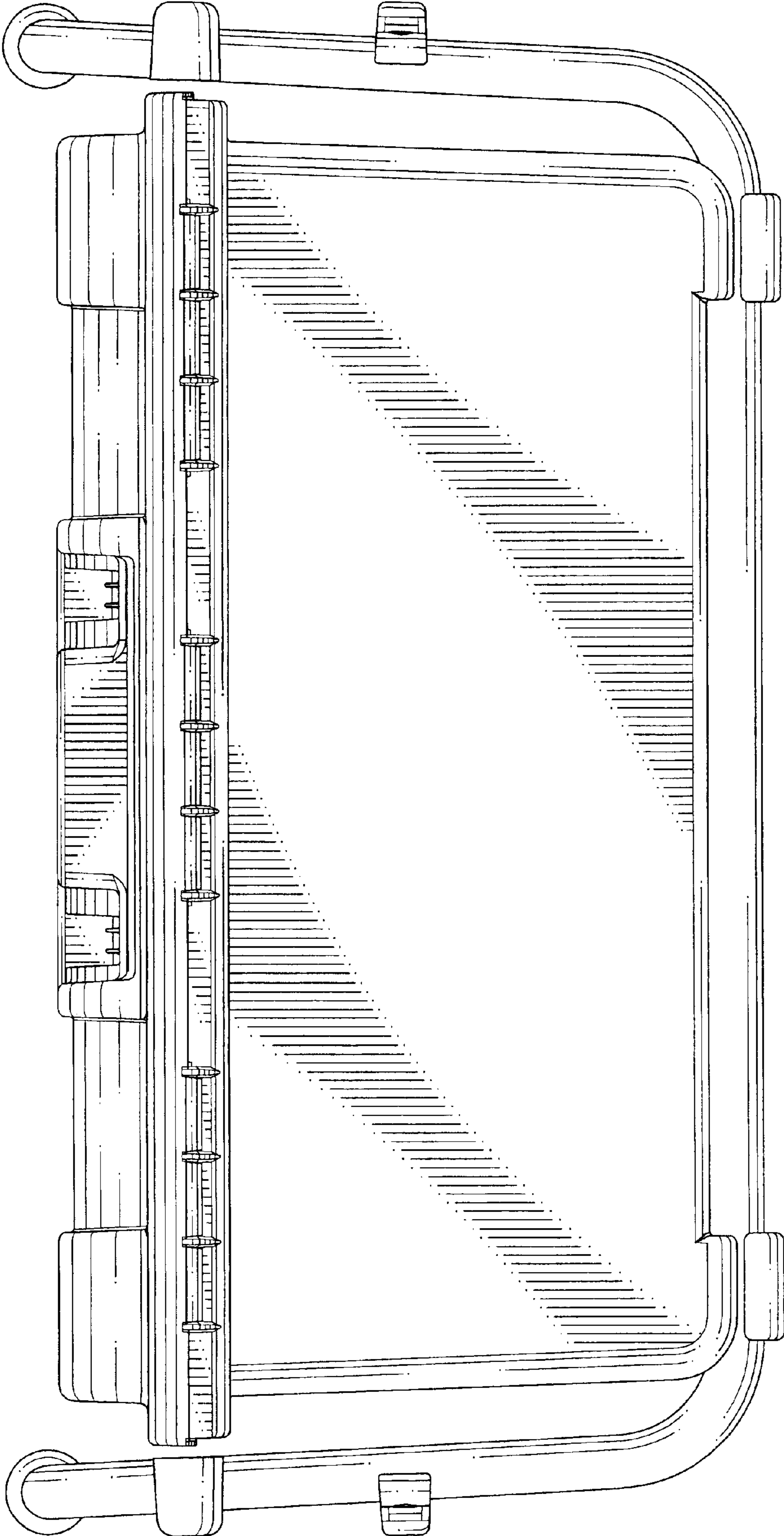


FIG. 4

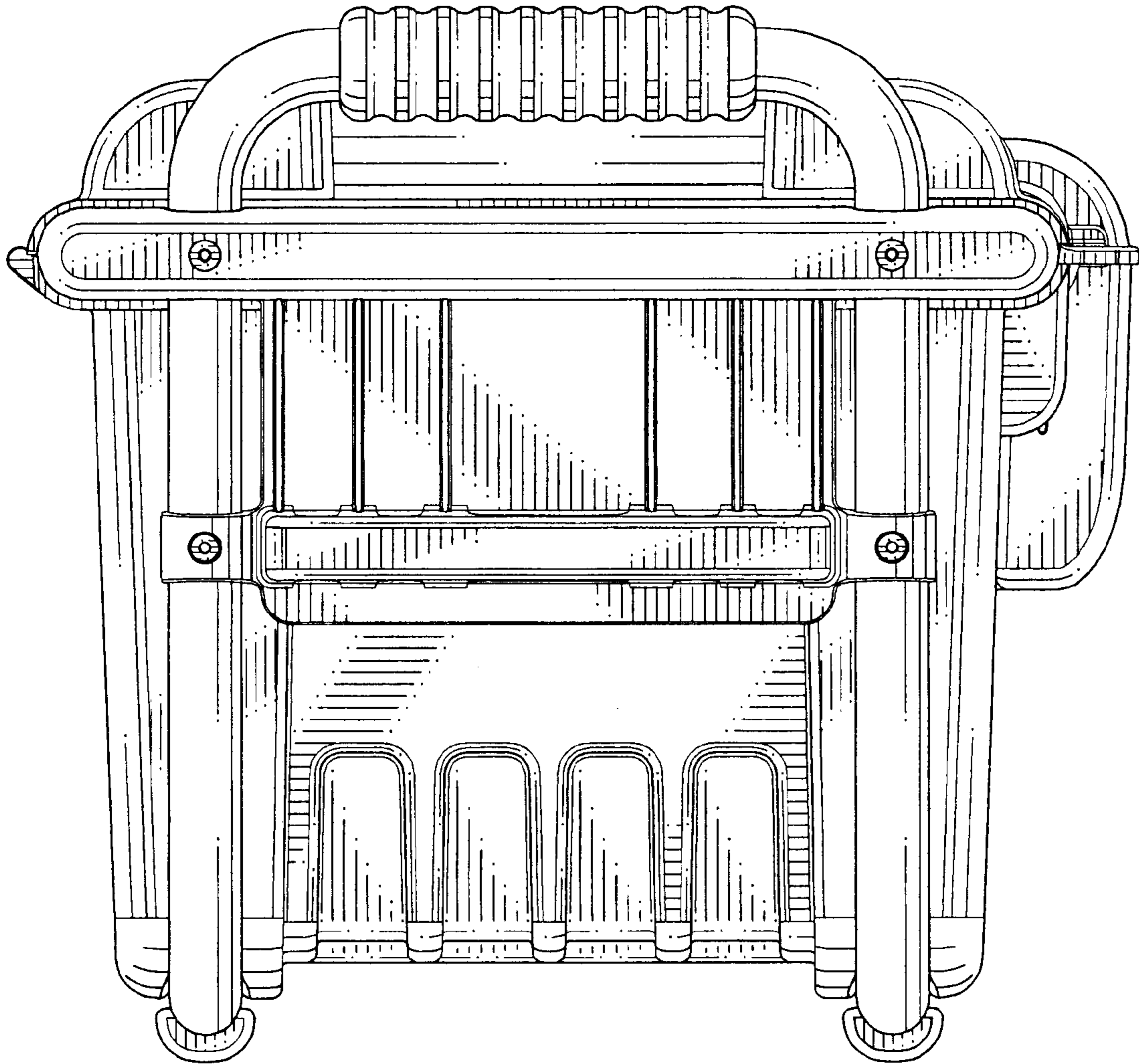


FIG. 5

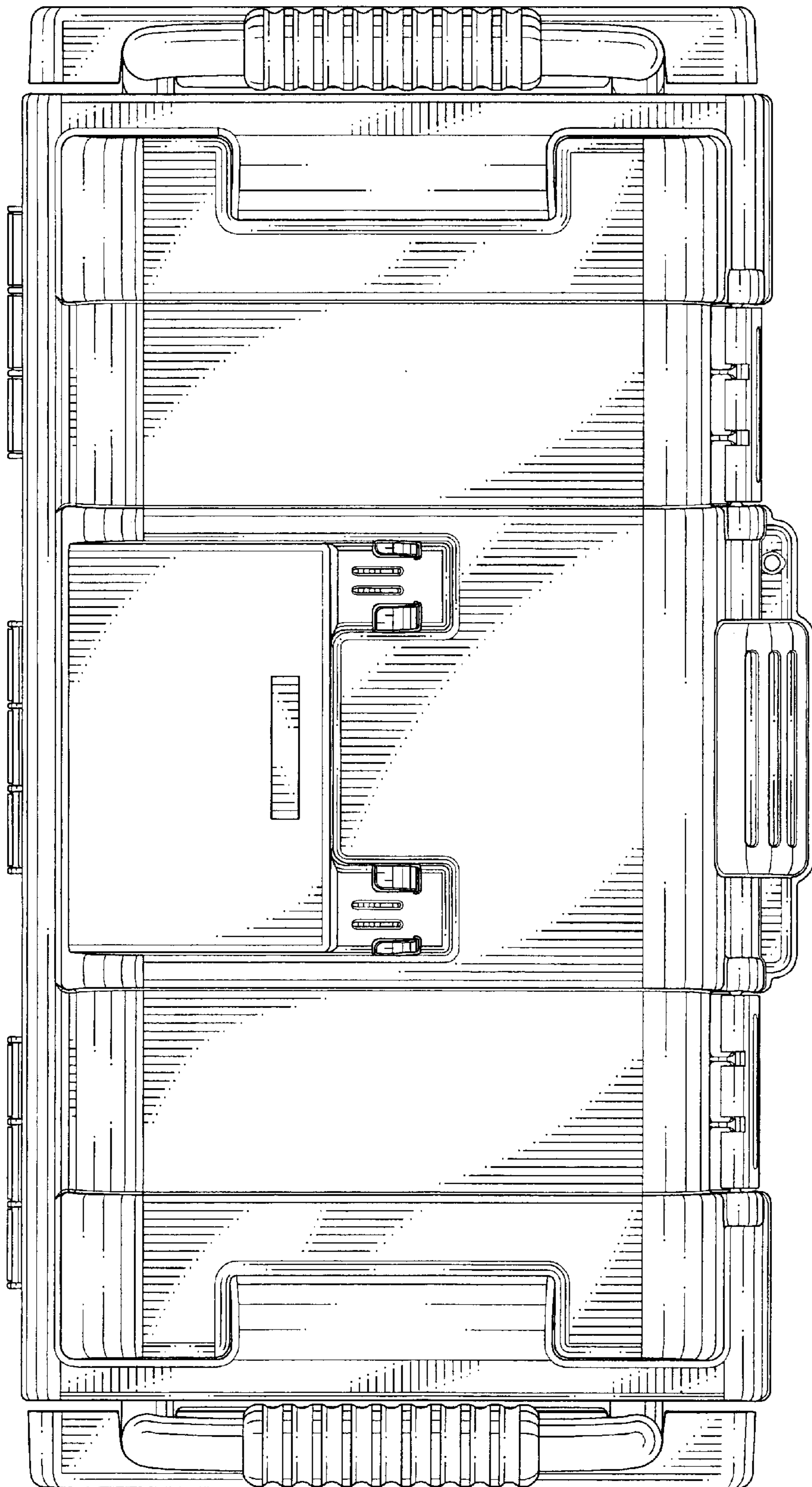


FIG. 6

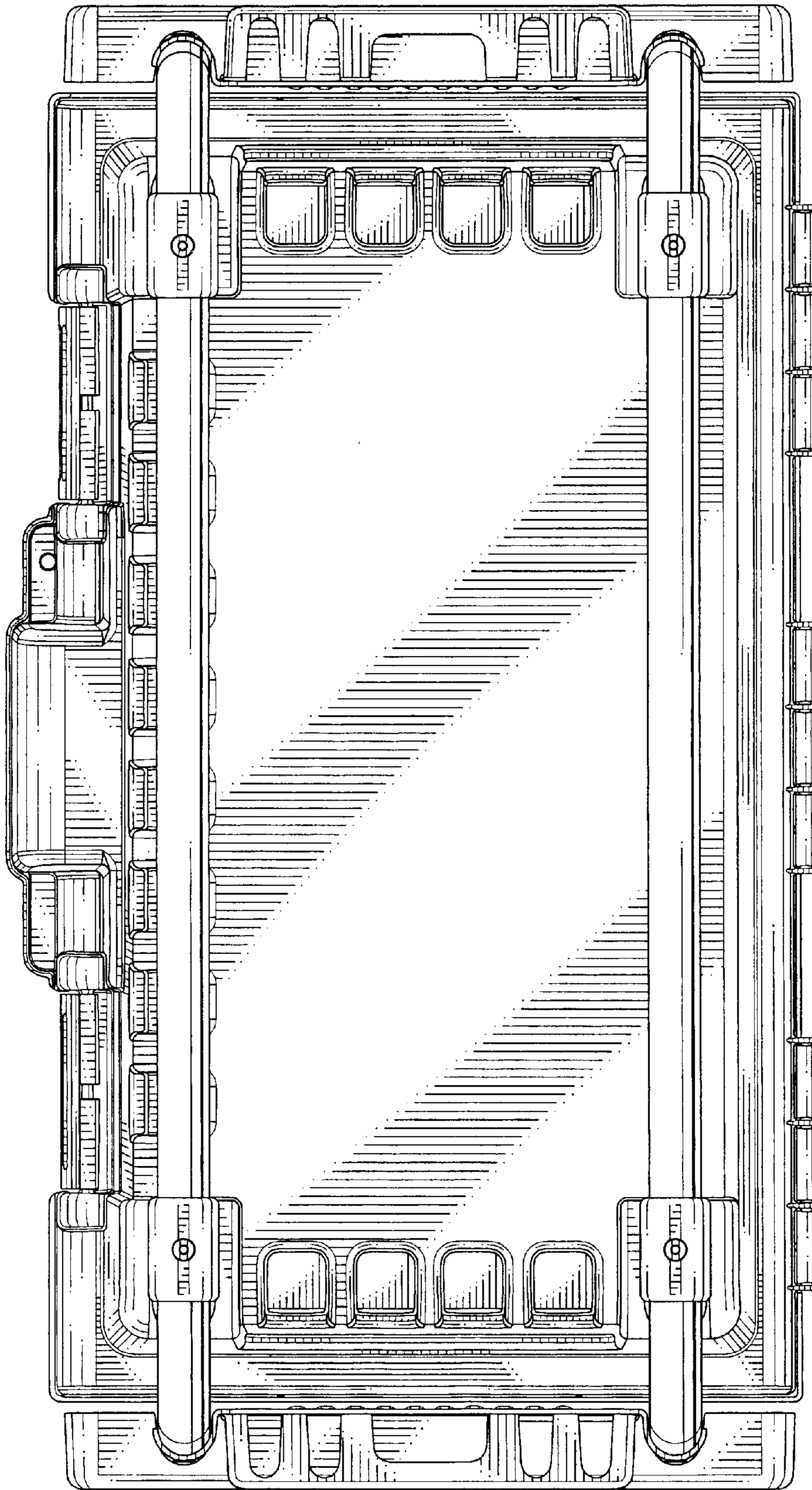


FIG. 7