



US00D527176S

(12) **United States Design Patent**
Andre et al.

(10) **Patent No.:** **US D527,176 S**

(45) **Date of Patent:** **** Aug. 29, 2006**

(54) **PROTECTIVE CASE**

(75) Inventors: **Bartley K. Andre**, Menlo Park, CA (US); **Daniel J. Coster**, San Francisco, CA (US); **Daniele De Iuliis**, San Francisco, CA (US); **Richard P. Howarth**, San Francisco, CA (US); **Jonathan P. Ive**, San Francisco, CA (US); **Duncan Robert Kerr**, San Francisco, CA (US); **Shin Nishibori**, San Francisco, CA (US); **Matthew Dean Rohrbach**, San Francisco, CA (US); **Douglas B. Satzger**, Menlo Park, CA (US); **Calvin Q. Seid**, Palo Alto, CA (US); **Christopher J. Stringer**, Portola Valley, CA (US); **Eugene Antony Whang**, San Francisco, CA (US); **Rico Zörkendörfer**, San Francisco, CA (US)

(73) Assignee: **Apple Computer, Inc.**, Cupertino, CA (US)

(**) Term: **14 Years**

(21) Appl. No.: **29/219,941**

(22) Filed: **Dec. 23, 2004**

(51) **LOC (8) Cl.** **03-01**

(52) **U.S. Cl.** **D3/218**

(58) **Field of Classification Search** D3/218, D3/215, 201, 205, 294, 272-276; 206/349, 206/372-373, 307.1, 308.1, 308.2, 308.3, 206/309, 311, 312, 387.11, 387.12, 387.15; 379/355; 369/37, 75.2, 291; D11/3-11, 80

See application file for complete search history.

(56) **References Cited**

U.S. PATENT DOCUMENTS

2,255,999 A * 9/1941 Kuehner D11/80

D464,196 S * 10/2002 Parker D3/273
D487,192 S * 3/2004 Farnham et al. D3/294
D495,185 S * 8/2004 Palmer D6/632

* cited by examiner

Primary Examiner—Catherine R. Oliver
(74) *Attorney, Agent, or Firm*—Beyer Weaver & Thomas, LLP

(57) **CLAIM**

We claim the ornamental design for a protective case, substantially as shown and described.

DESCRIPTION

FIG. 1 is a perspective view of a protective case showing our new design;

FIG. 2 is a front view for the protective case.

FIG. 3 is a rear view for the protective case.

FIG. 4 is a right side view for the protective case.

FIG. 5 is a left side view for the protective case.

FIG. 6 is a top view for the protective case.

FIG. 7 is a bottom view for the protective case.

FIG. 8 is front view of an electronic device being inserted into an opened protective case.

FIG. 9 is front view of an electronic device positioned within the opened protective case.

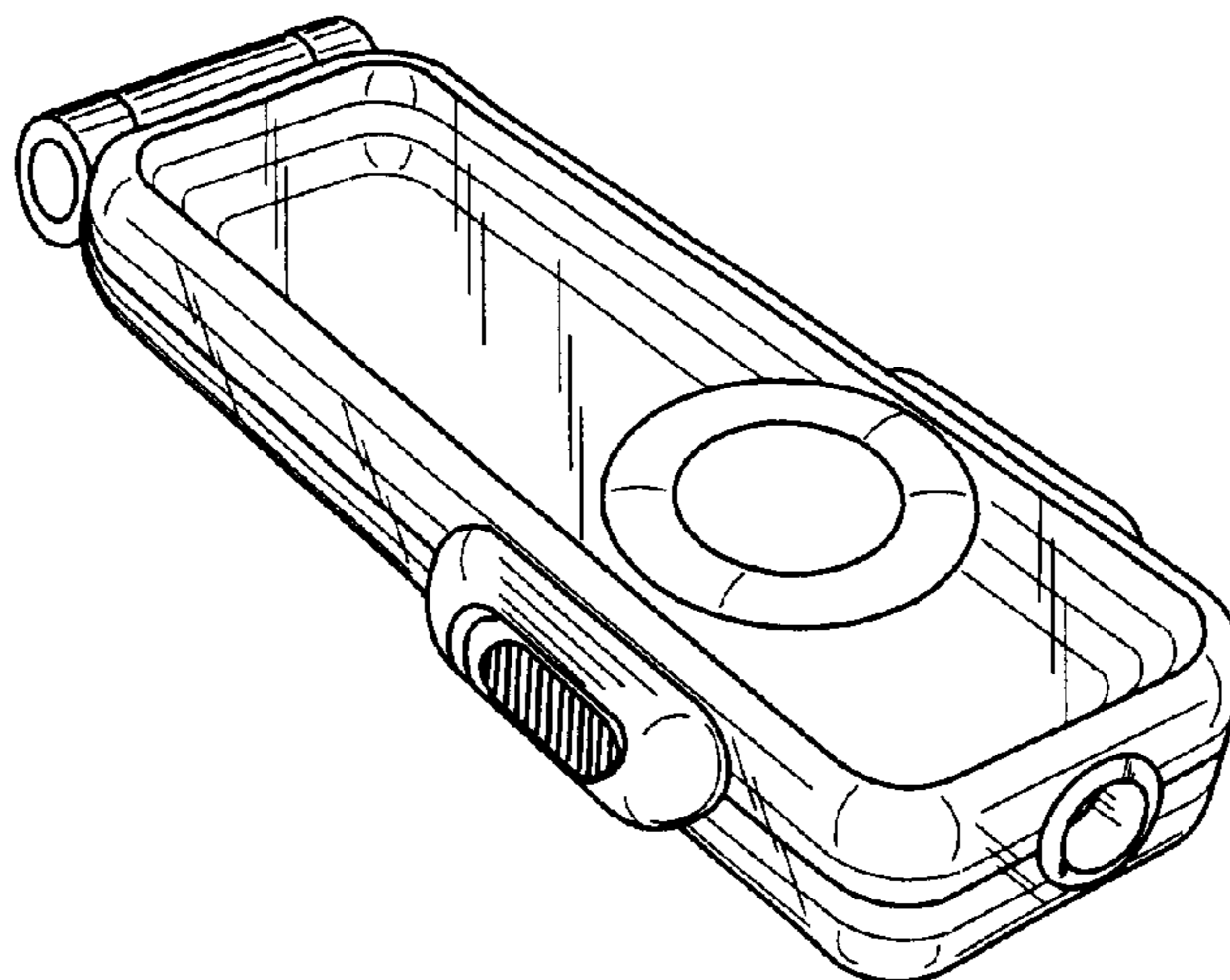
FIG. 10 is front view of an electronic device enclosed by the protective case.

FIG. 11 is an exploded view of the electronic device being placed inside of the protective case;

FIG. 12 is a side view showing the electronic device seated inside the protective case; and,

FIG. 13 is a second embodiment of the protective case shown attached to a necklace.

1 Claim, 6 Drawing Sheets



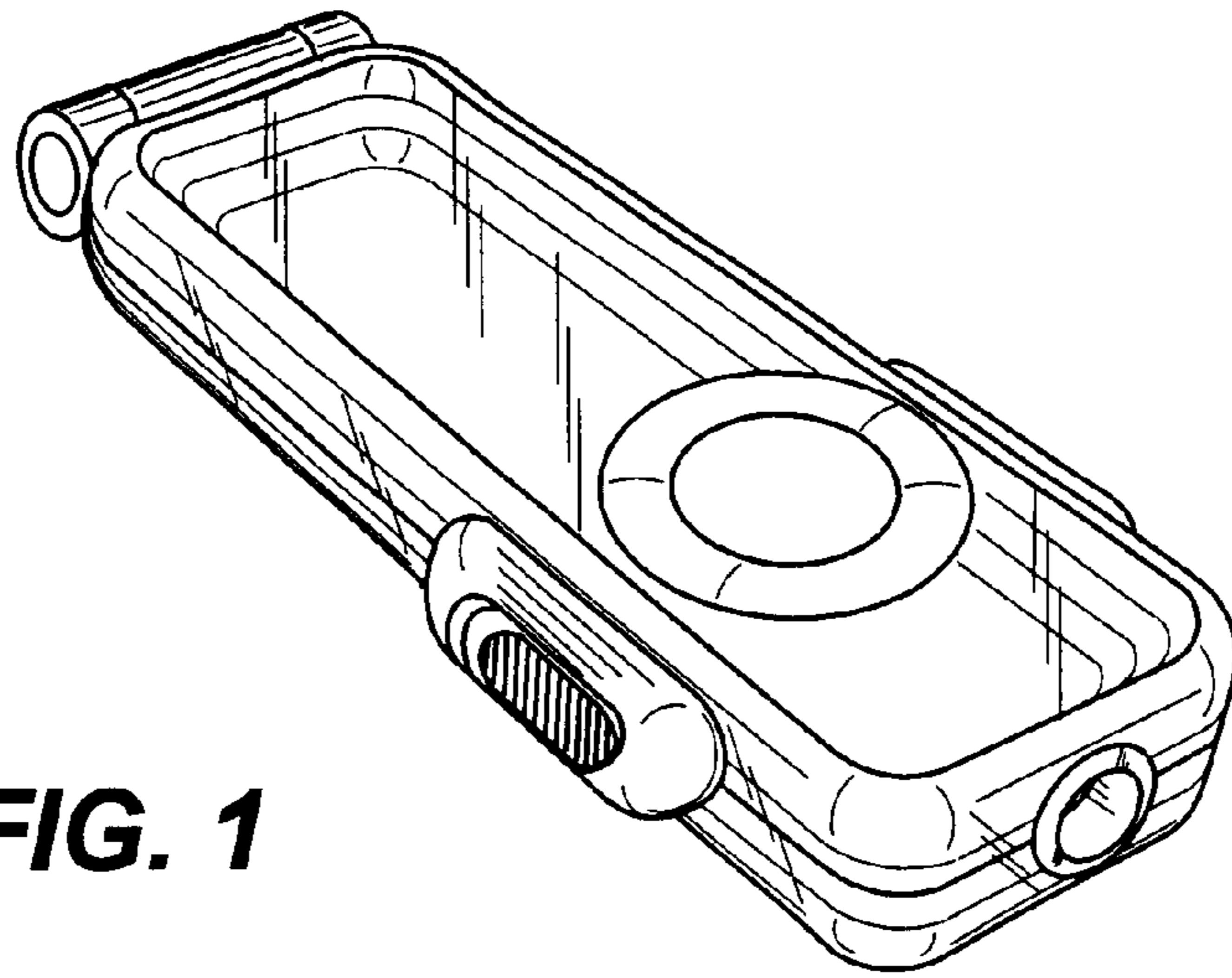


FIG. 1

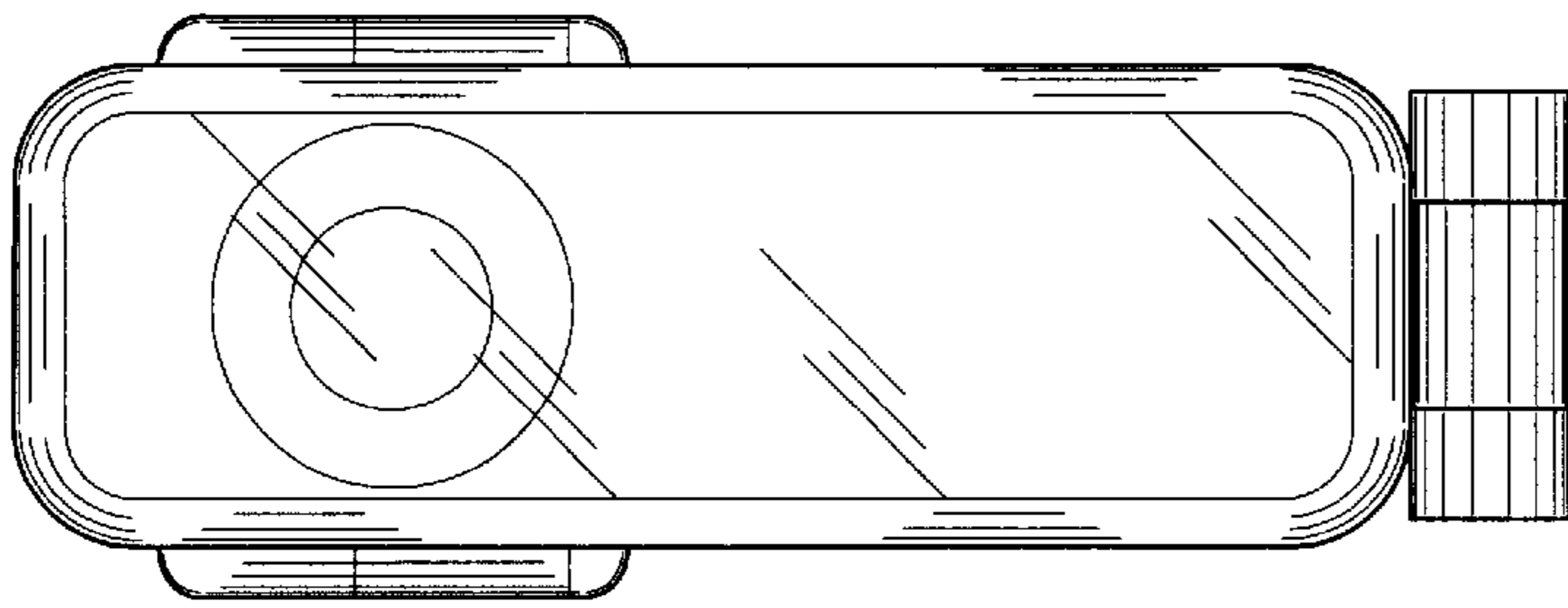


FIG. 2

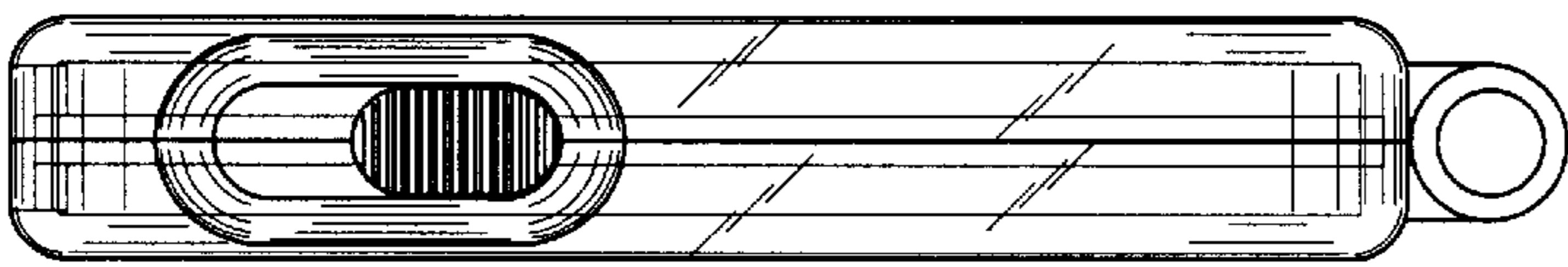


FIG. 4

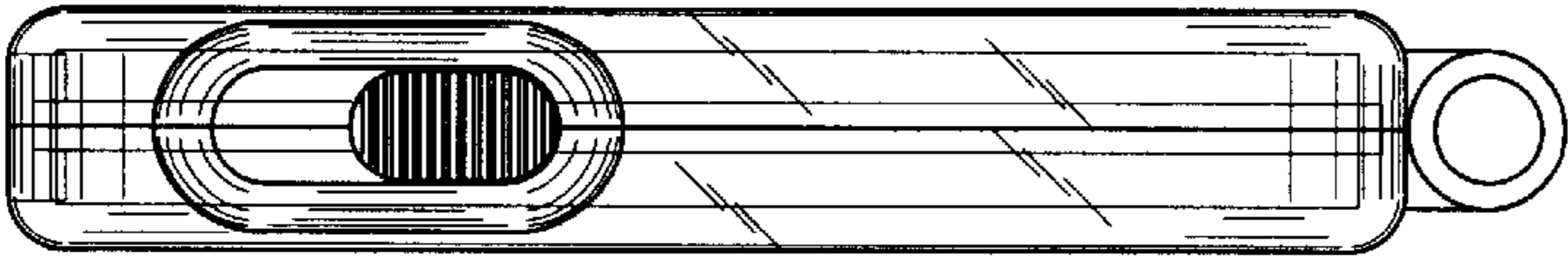


FIG. 5

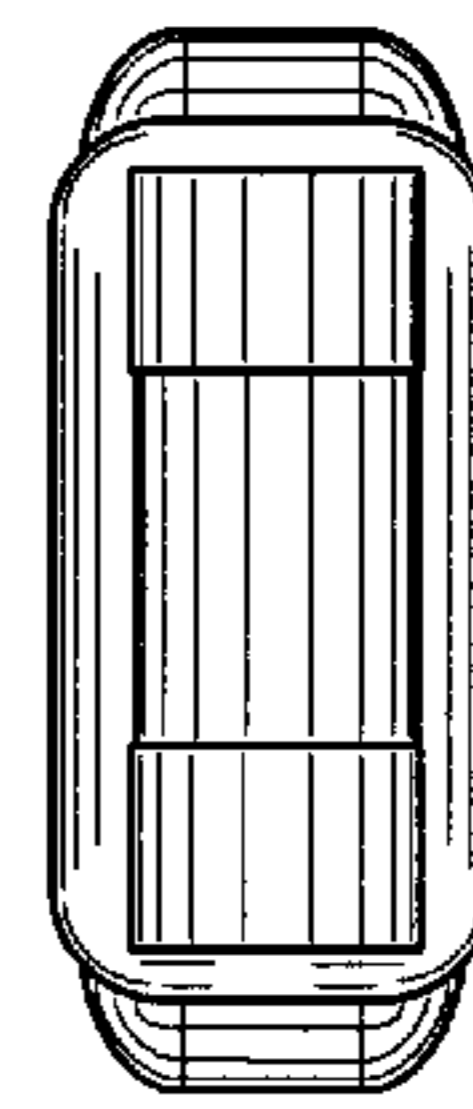


FIG. 7

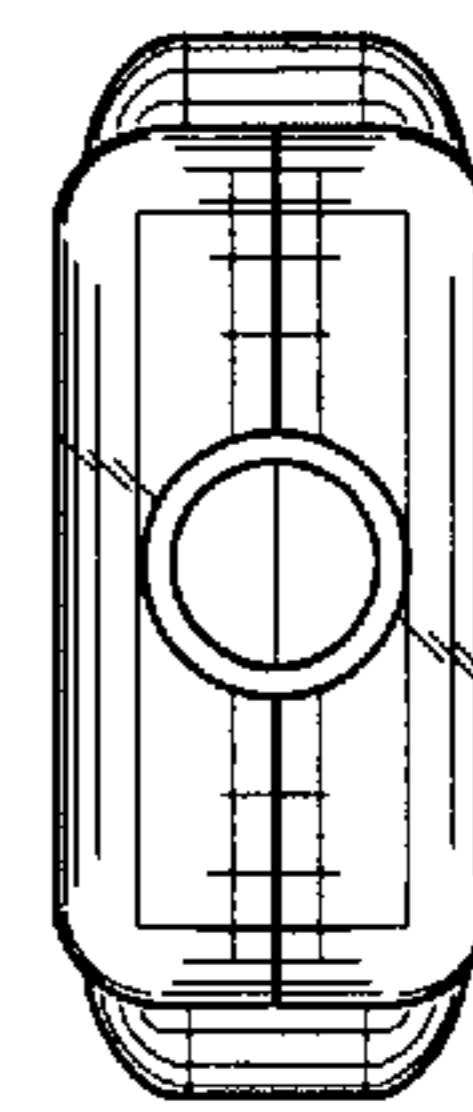


FIG. 6

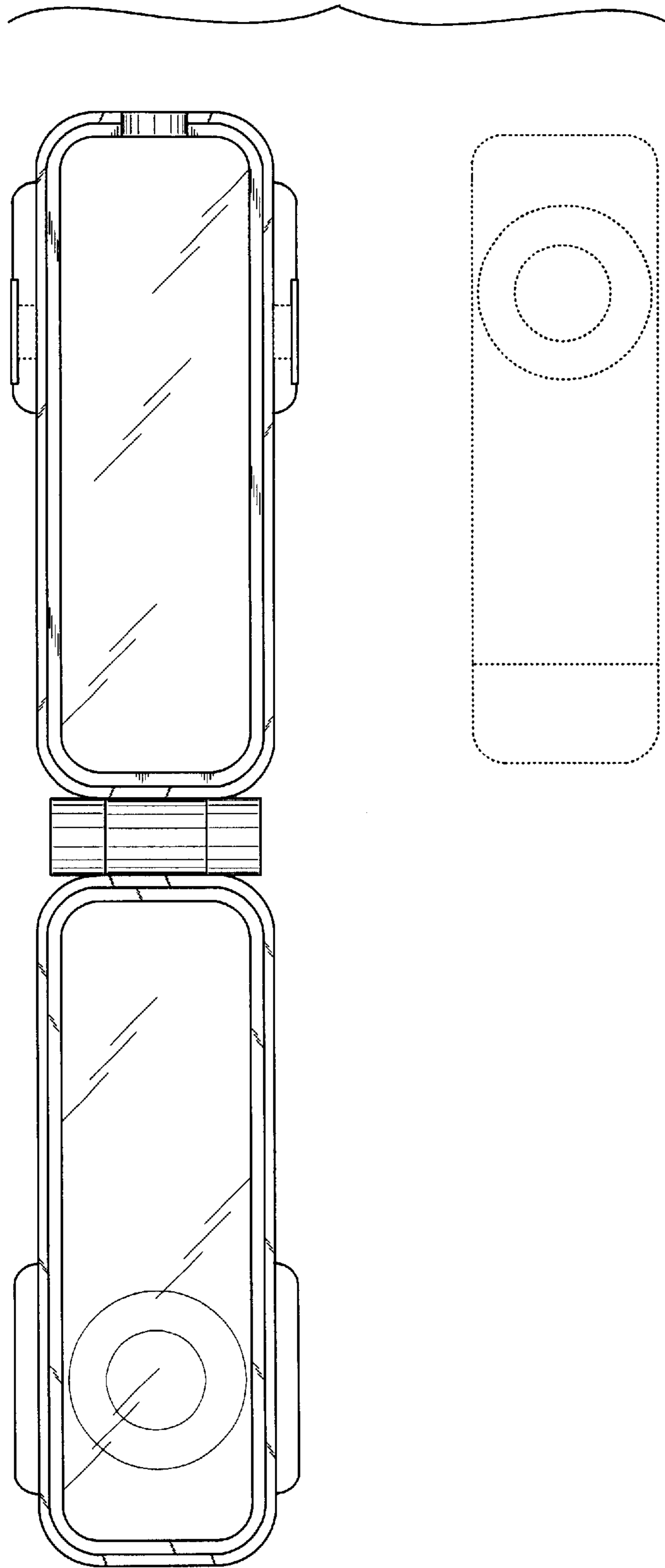


FIG. 8

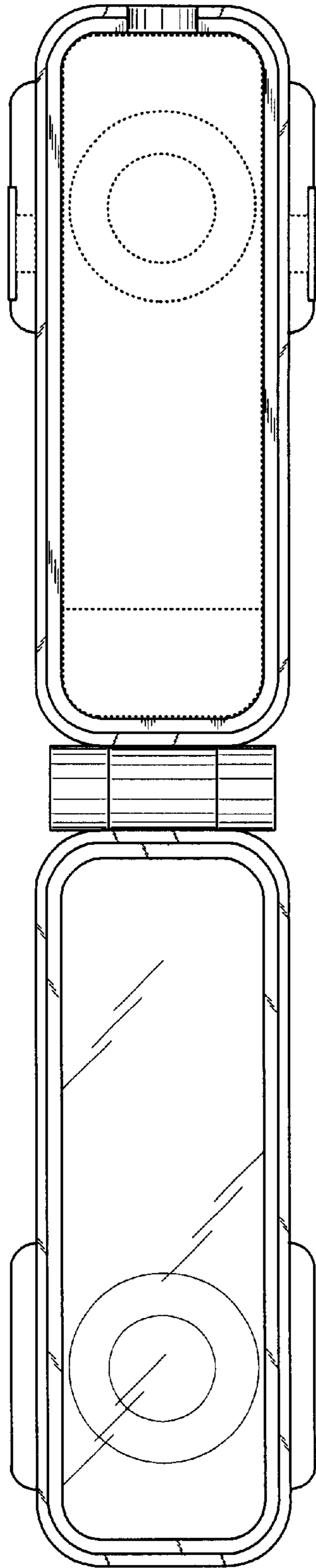


FIG. 9

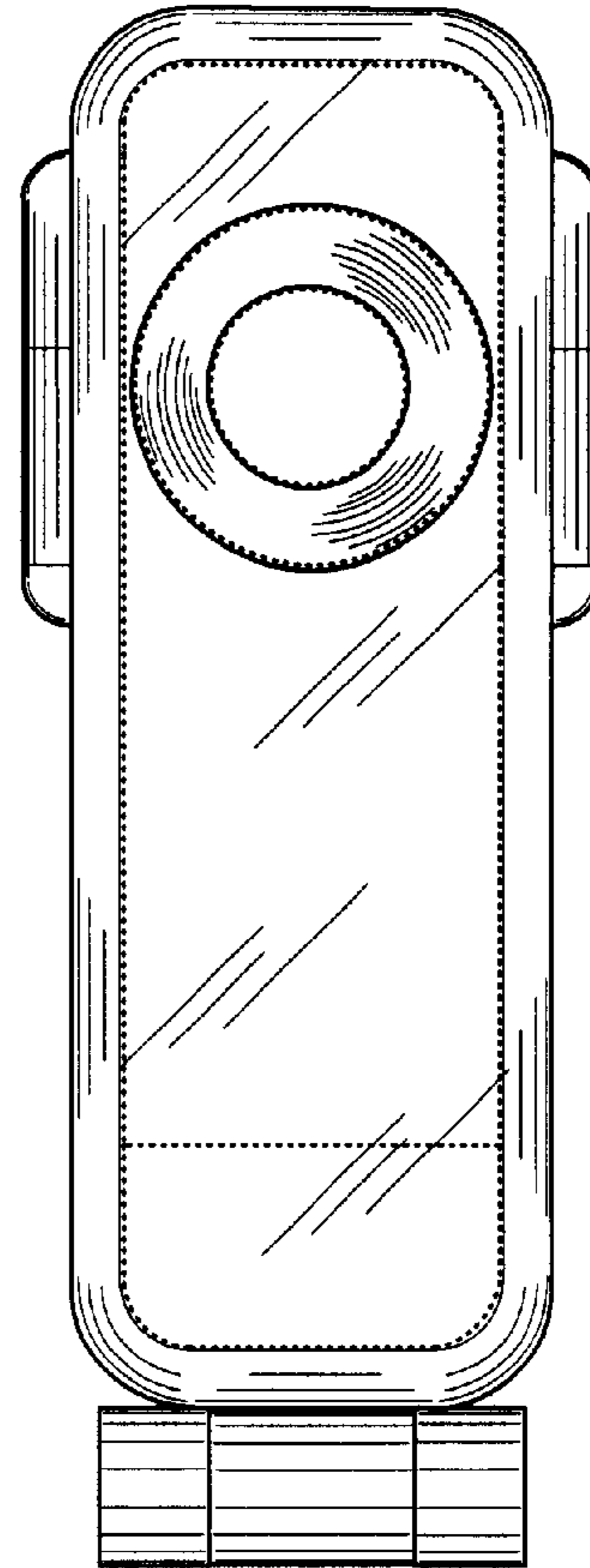


FIG. 10

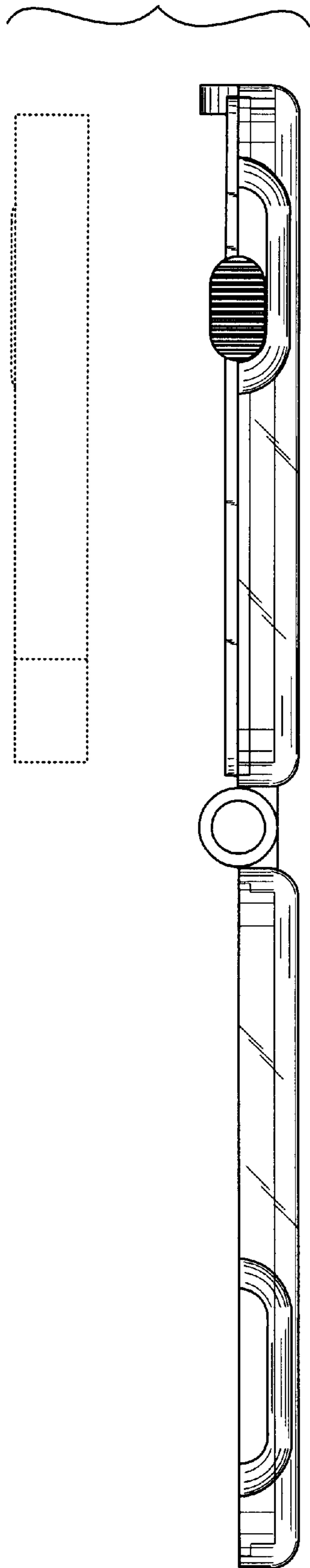


FIG. 11

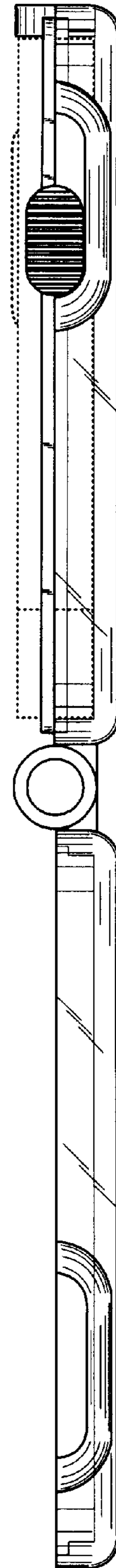


FIG. 12

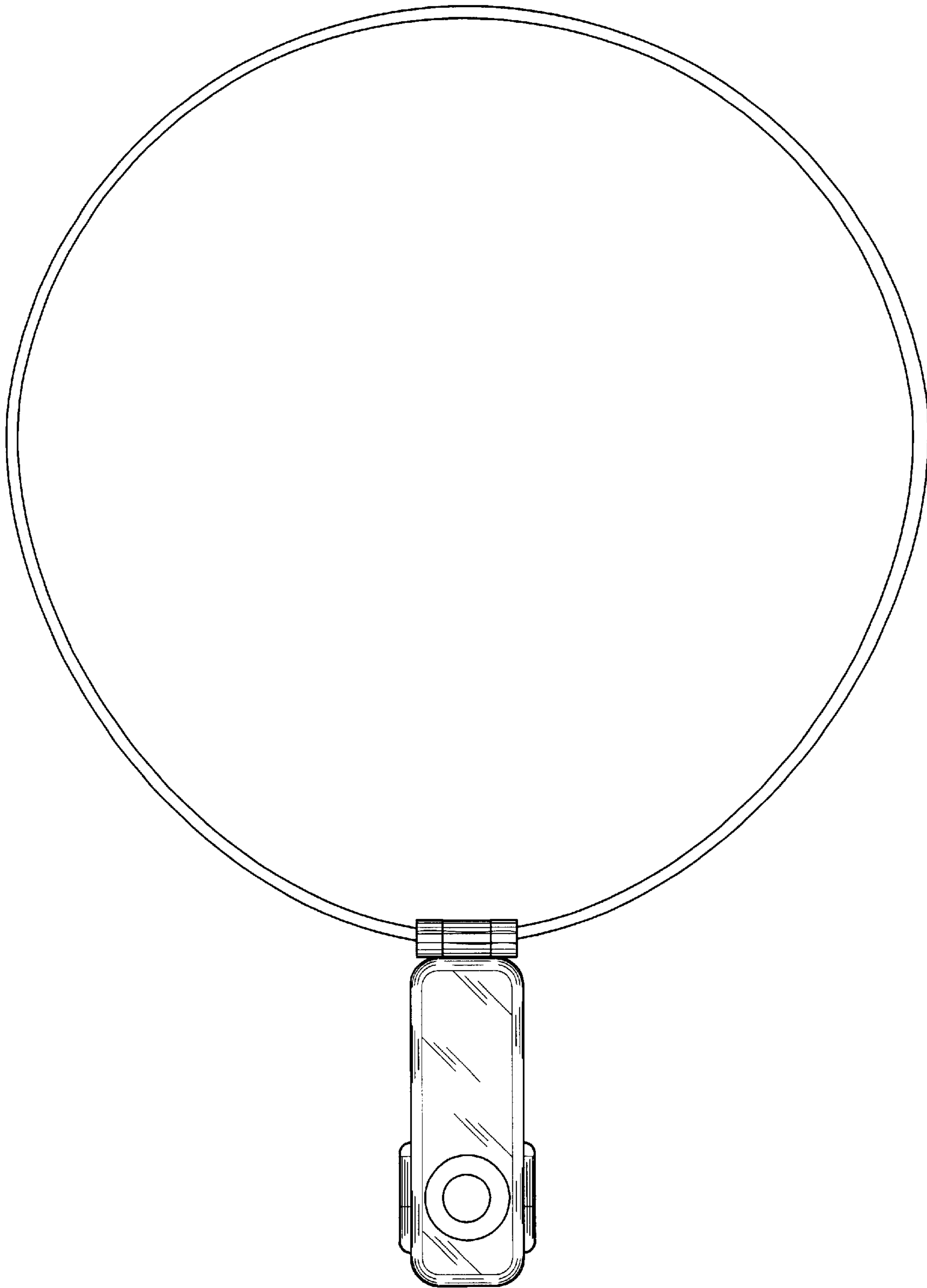


FIG. 13