



US00D527166S

(12) **United States Design Patent**  
**Hoeksema**

(10) **Patent No.:** **US D527,166 S**

(45) **Date of Patent:** **\*\* Aug. 29, 2006**

(54) **ACCESSORY STRAP AND BELT**

(75) Inventor: **Joanne C. Hoeksema**, Muskegon, MI (US)

(73) Assignee: **H2Company**, Grand Haven, MI (US)

(\*\*) Term: **14 Years**

(21) Appl. No.: **29/209,123**

(22) Filed: **Jul. 9, 2004**

(51) **LOC (8) Cl.** ..... **02-07**

(52) **U.S. Cl.** ..... **D2/627**

(58) **Field of Classification Search** ..... D2/624,  
D2/627; D3/207, 215; 24/3, 6, 3 K, 599.2;  
2/96, 221, 237, 311, 312, 314, 321, 338, 339,  
2/309

See application file for complete search history.

(56) **References Cited**

U.S. PATENT DOCUMENTS

727,402	A	5/1903	Messer	
1,562,522	A	11/1925	Shields	
1,600,027	A	9/1926	Welsand	
D125,877	S	3/1941	Taft	
D140,270	S	2/1945	Sharp	
2,911,653	A	* 11/1959	O'Donnell	2/321
3,286,751	A	11/1966	Dishart	
3,840,903	A	10/1974	Mack et al.	

(Continued)

*Primary Examiner*—Paula A. Greene

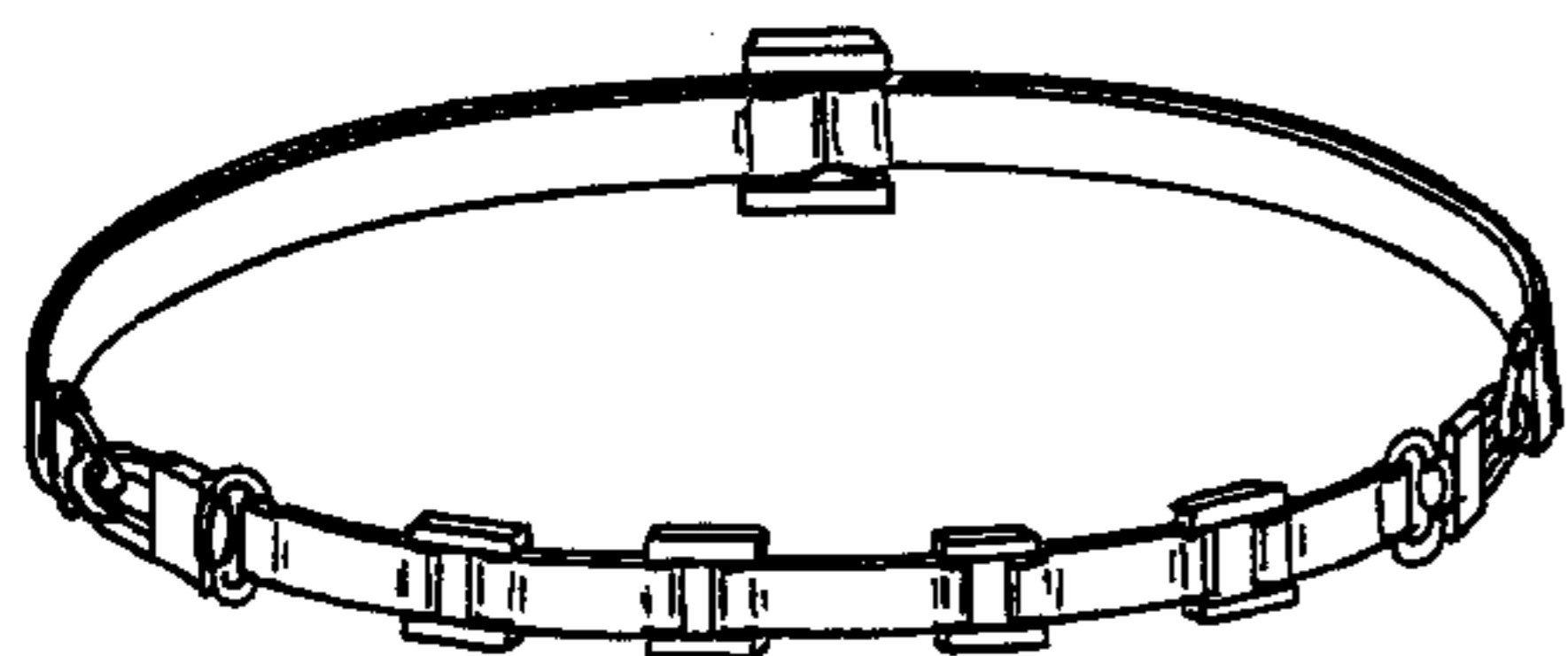
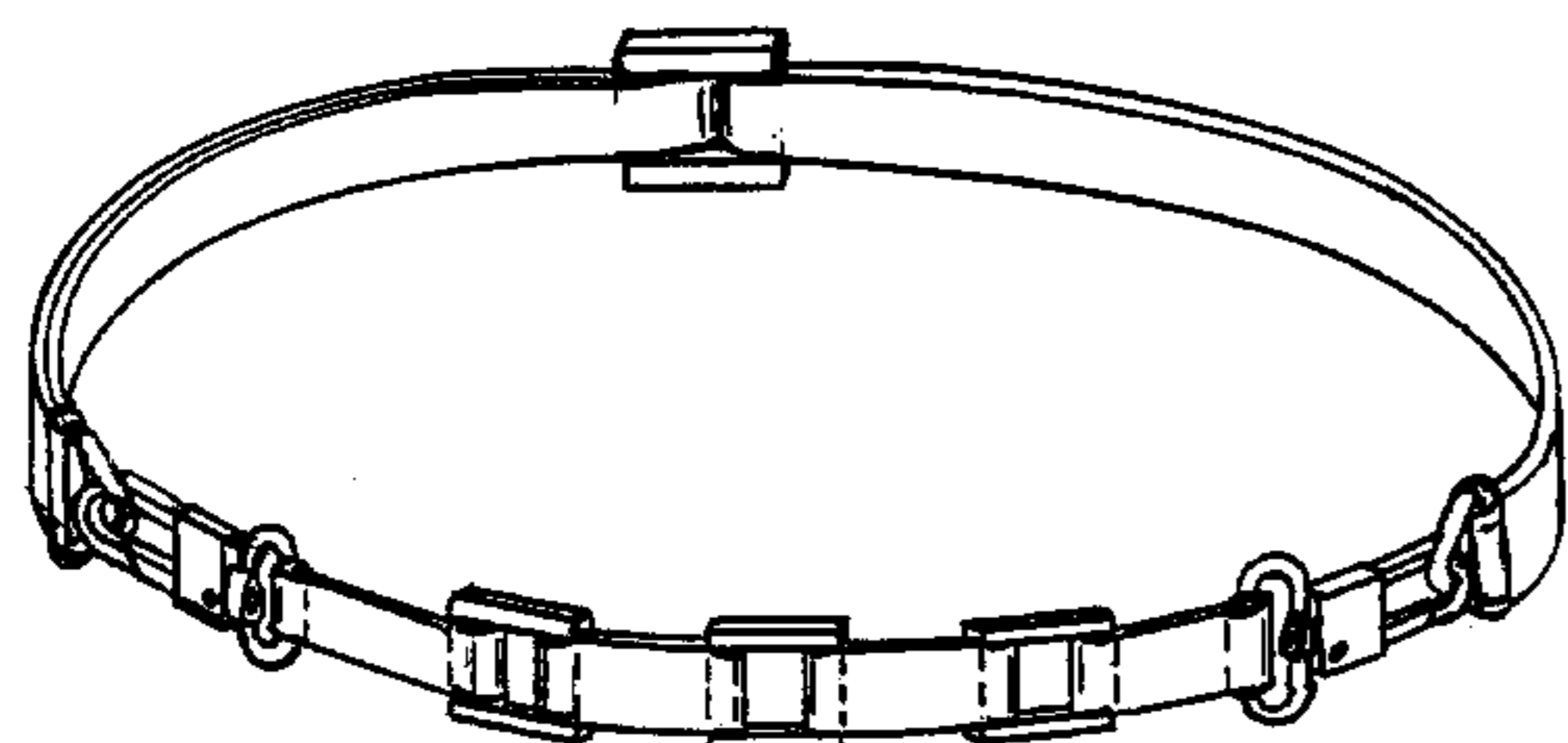
(74) *Attorney, Agent, or Firm*—Van Dyke, Gardner, Linn & Burkhart, LLP

(57) **CLAIM**

The ornamental design for an accessory strap and belt, as shown and described.

**DESCRIPTION**

FIG. 1 is a perspective view of an accessory strap and belt



showing my new design;

FIG. 2 is a perspective view of a second embodiment of an accessory strap and belt showing my new design, the only difference being the added link to the front portion;

FIG. 3 is a perspective view of the front portion FIG. 1 shown separately for purposes of illustration, the rear is a mirror image;

FIG. 4 is a side elevational view of FIG. 3 shown separately for purposes of illustration, the opposite side is a mirror image;

FIG. 5 is a top plan view of FIG. 3 shown separately for purposes of illustration, the bottom is a mirror image;

FIG. 6 is a perspective view of the front portion the accessory strap and belt of FIG. 2 shown separately for purposes of illustration;

FIG. 7 is a side elevational view of the front portion of the accessory strap and belt of FIG. 6 shown separately for purposes of illustration, the rear is a mirror image;

FIG. 8 is a top plan view of the front portion of the accessory strap and belt of FIG. 6 shown separately for purposes of illustration, the bottom is a mirror image;

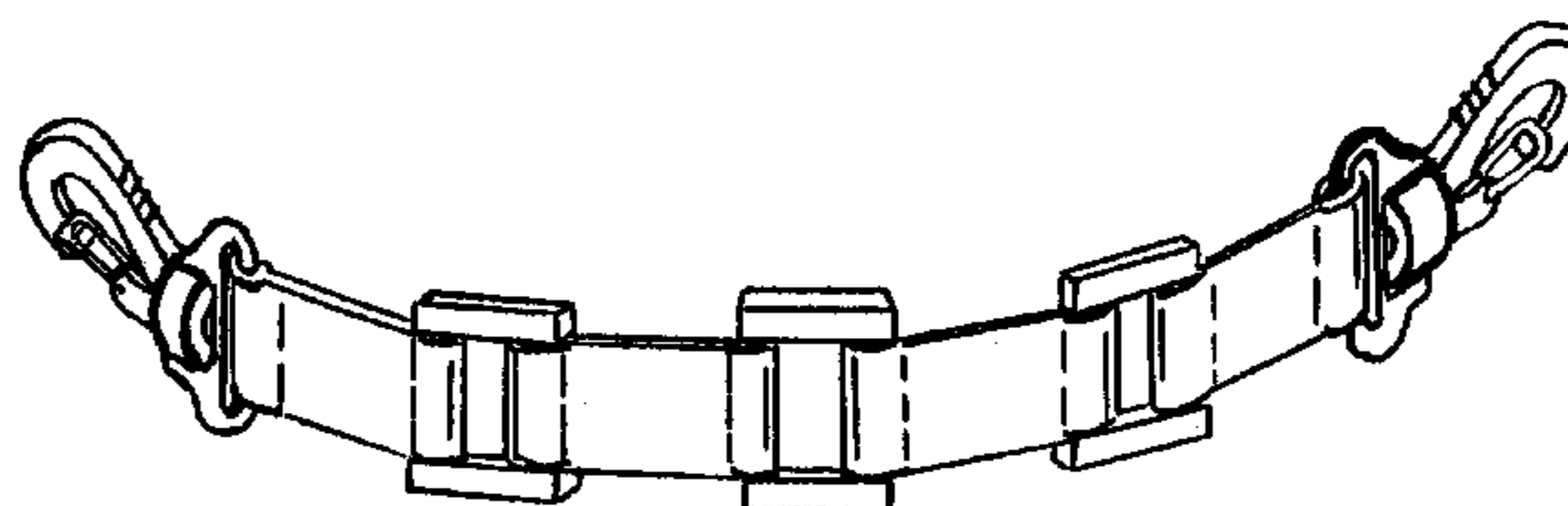
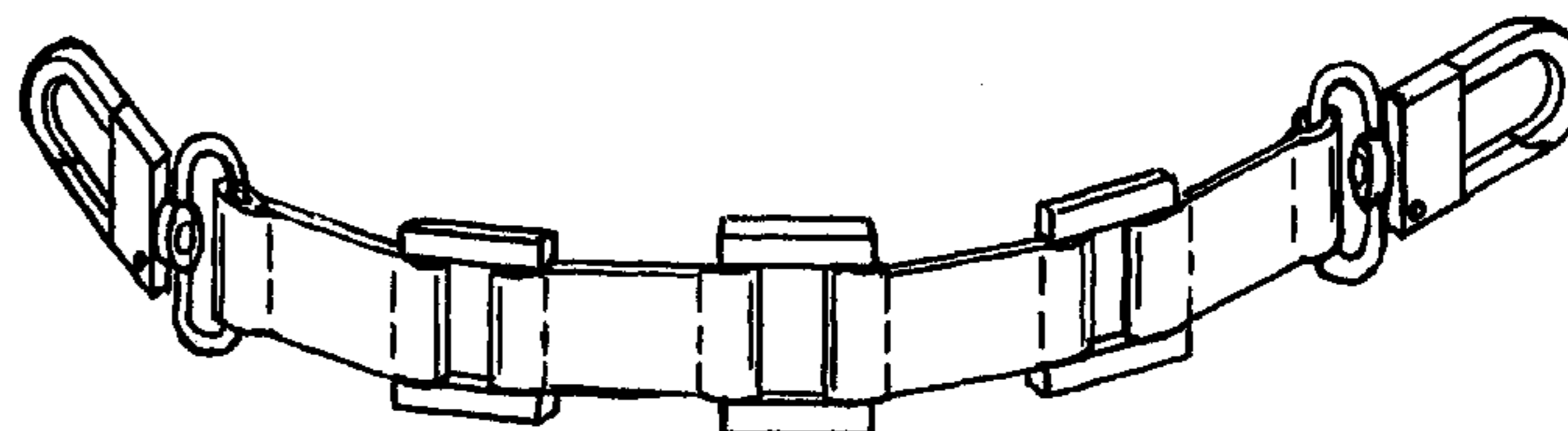
FIG. 9 is a perspective view of front perspective view of a third embodiment of the accessory strap and belt of FIG. 1 shown separately for purposes of illustration, the only difference being the attaching means;

FIG. 10 is a side elevational view of a front portion of FIG. 9 shown separately for purposes of illustration;

FIG. 11 is a top plan view of a portion of FIG. 9 shown separately for purposes of illustration, the bottom is a mirror image; and,

FIG. 12 is a side elevational view of a fourth embodiment of the accessory strap and belt of FIG. 2 the only difference being the attaching means.

**1 Claim, 4 Drawing Sheets**



# US D527,166 S

Page 2

---

## U.S. PATENT DOCUMENTS

3,970,227 A	7/1976	Hardy		5,941,438 A	8/1999	Price	
4,578,824 A *	4/1986	Waldron .....	2/96	D414,603 S	10/1999	Burchett	
4,642,982 A	2/1987	Gray		6,000,591 A	12/1999	Alexander	
D296,726 S	7/1988	Katz		6,015,073 A	1/2000	Wojciak et al.	
5,004,136 A	4/1991	Leath		D433,801 S	11/2000	Shreve	
5,035,523 A	7/1991	Allinder		D437,995 S	2/2001	Perthou	
D329,750 S	9/1992	Gilmore et al.		6,357,646 B1	3/2002	Gur et al.	
5,215,237 A	6/1993	Wu		6,371,346 B1	4/2002	Sharma	
5,299,324 A *	4/1994	Zinna .....	2/312	D457,688 S	5/2002	Cordero	
D351,049 S	9/1994	Schlueter		6,389,605 B1 *	5/2002	Srivastava .....	2/312
D373,011 S *	8/1996	Rippel .....	D2/627	6,606,769 B1 *	8/2003	Harris .....	24/599.2
D378,305 S *	3/1997	Tolleson .....	D2/624	D485,677 S	1/2004	Harris et al.	
5,664,712 A	9/1997	Smrt		2003/0075576 A1	4/2003	Condif	
D404,562 S	1/1999	Brown et al.					

\* cited by examiner

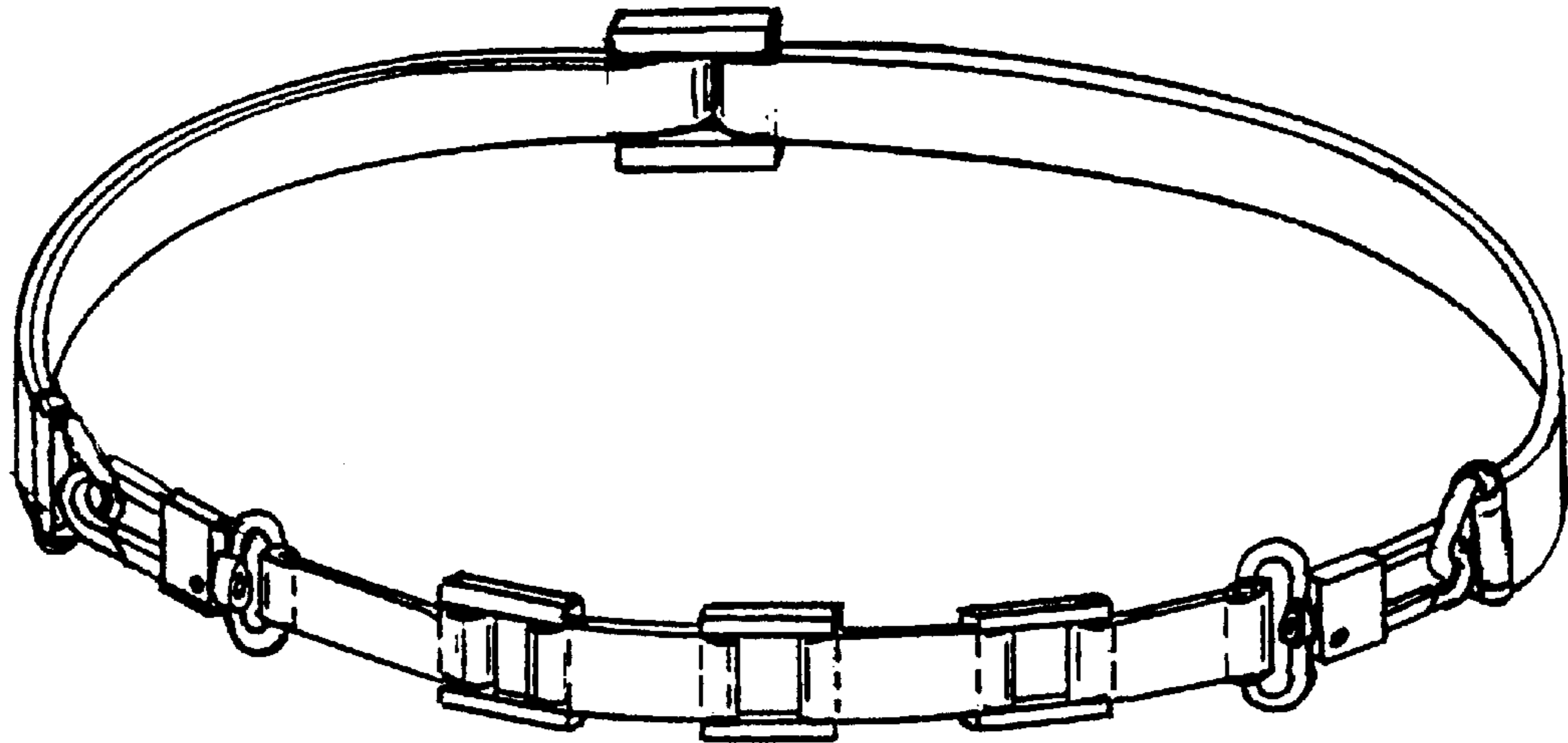


FIG. 1

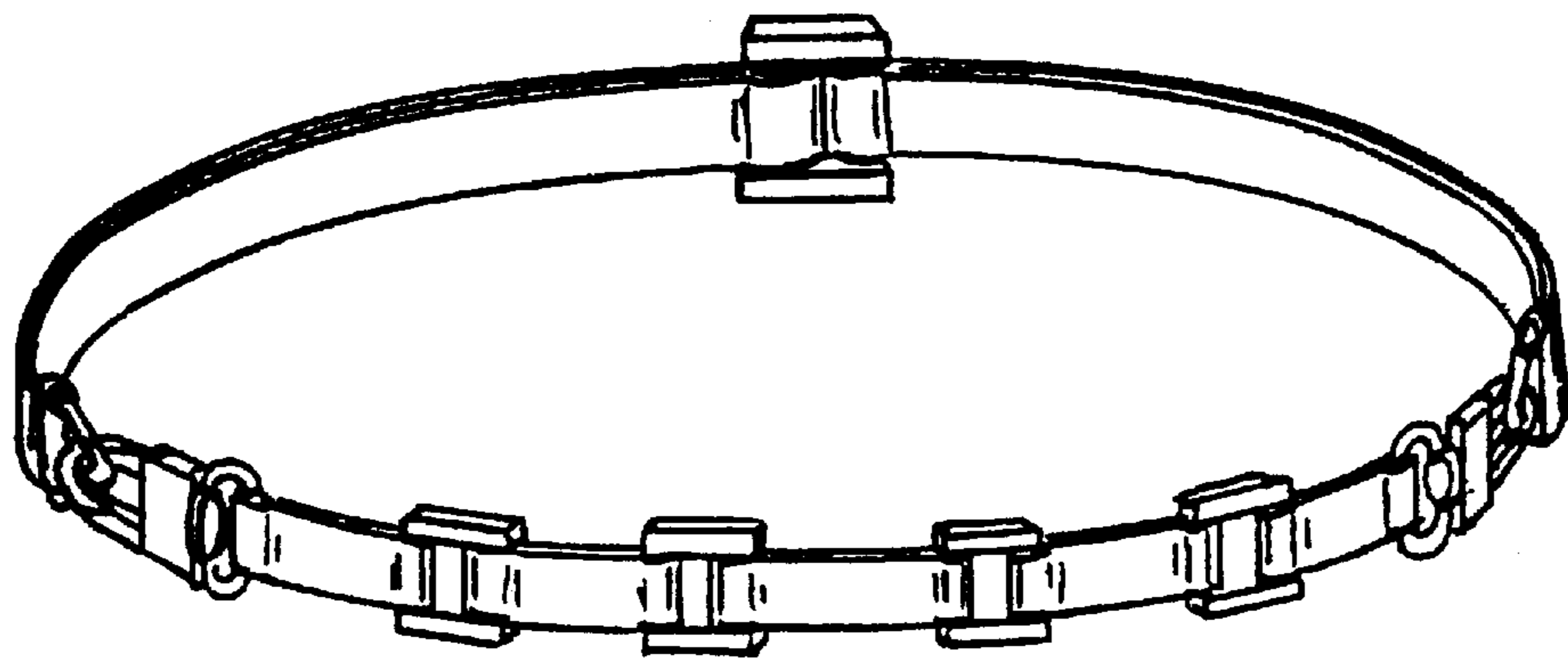


FIG. 2

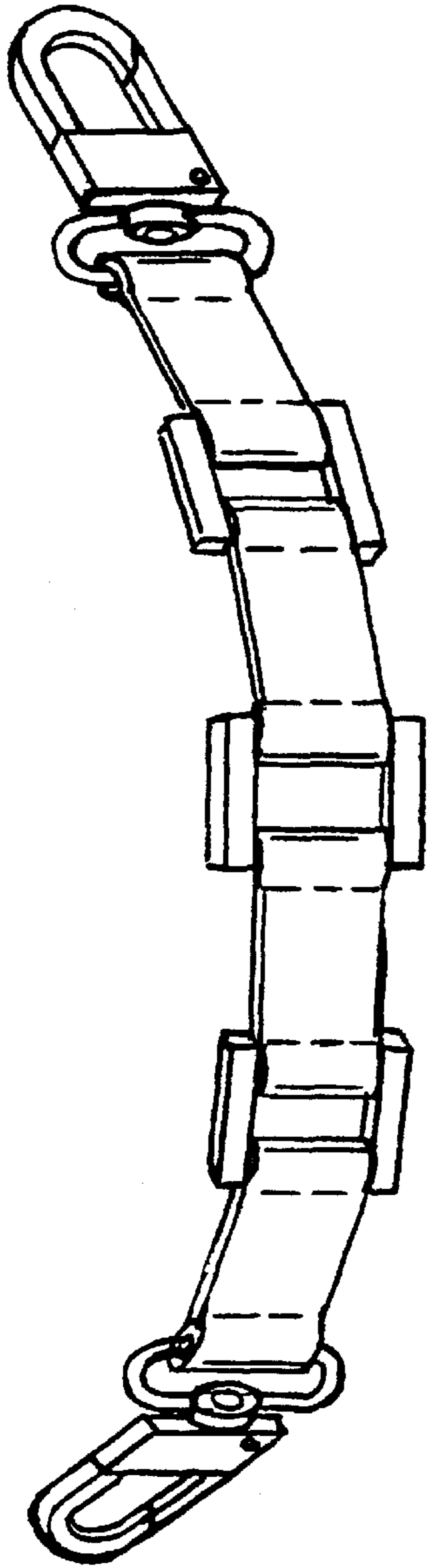


FIG. 3

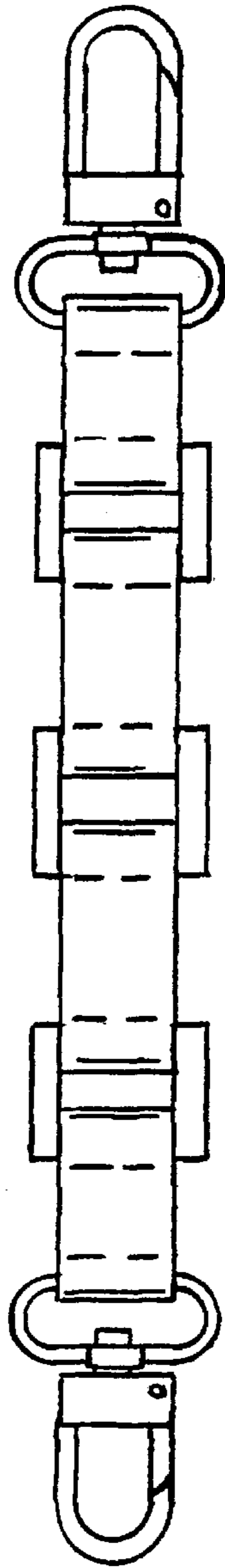


FIG. 4



FIG. 5

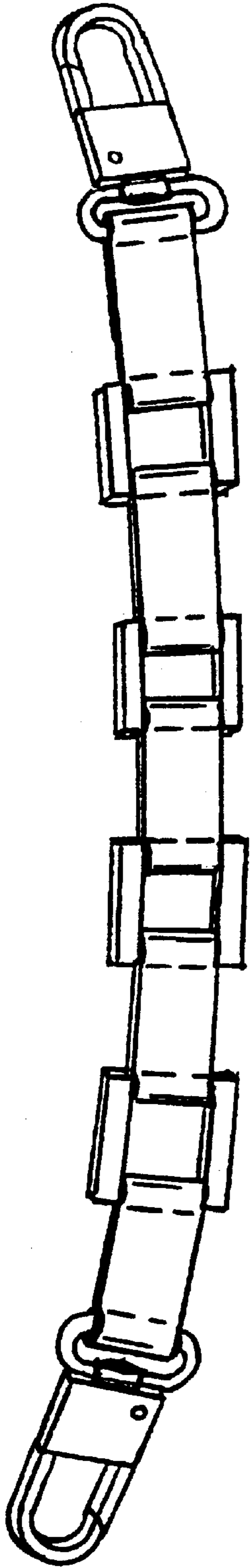


FIG. 6

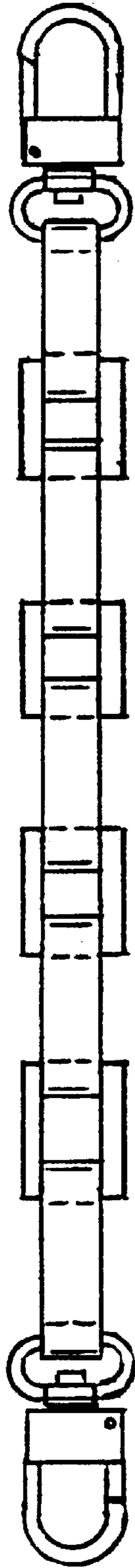


FIG. 7



FIG. 8

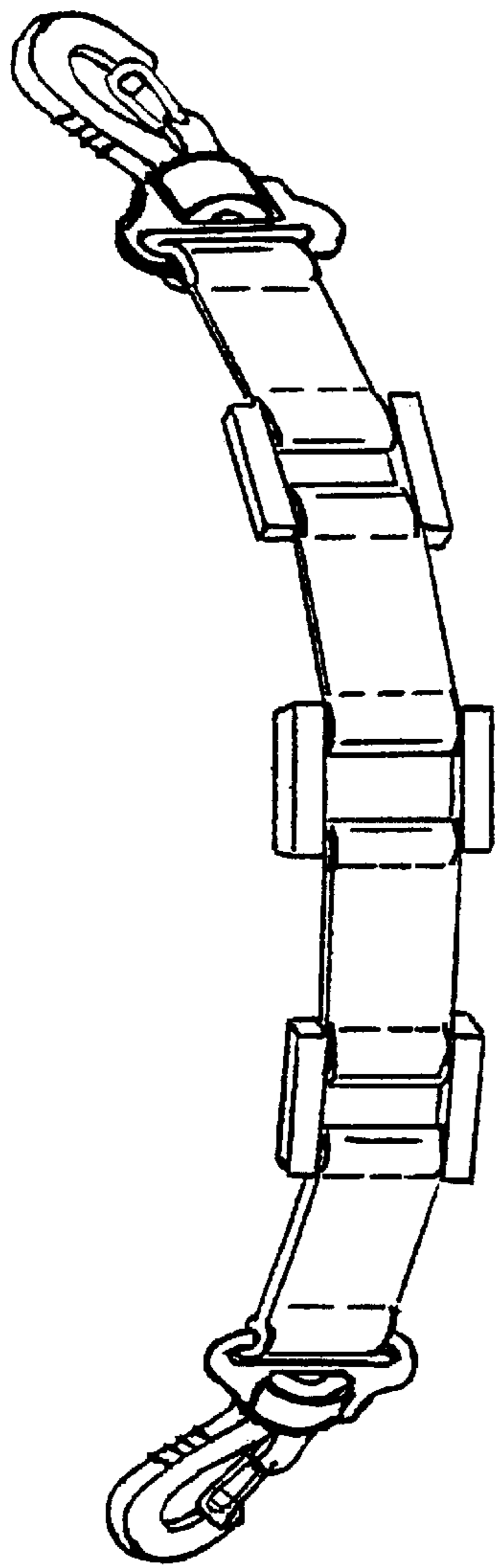


FIG. 9

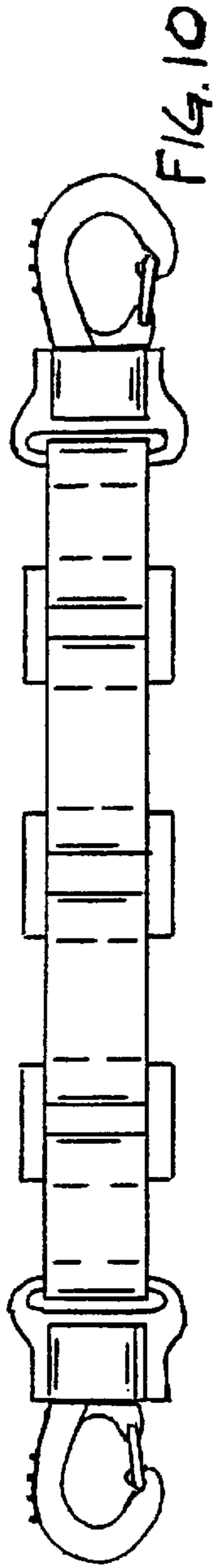


FIG. 10

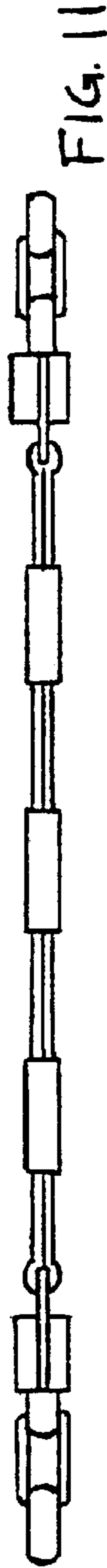


FIG. 11

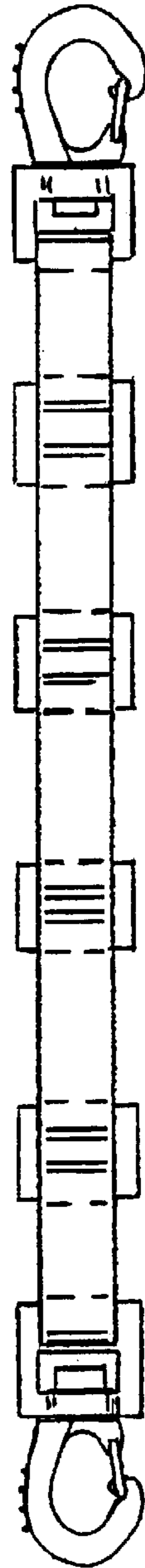


FIG. 12