



US00D527159S

(12) **United States Design Patent** (10) **Patent No.:** **US D527,159 S**  
**Staples** (45) **Date of Patent:** **\*\* Aug. 22, 2006**

(54) **CREEPER**

(75) Inventor: **Michael R. Staples**, Mauldin, SC (US)

(73) Assignee: **Professional Tool Products, LLC.**,  
Greenville, SC (US)

(\*\*) Term: **14 Years**

(21) Appl. No.: **29/244,744**

(22) Filed: **Dec. 14, 2005**

**Related U.S. Application Data**

(62) Division of application No. 29/226,106, filed on Mar. 24, 2005.

(51) **LOC (8) Cl.** ..... **12-02**

(52) **U.S. Cl.** ..... **D34/23**

(58) **Field of Classification Search** ..... D34/12-27;  
280/30, 32.5, 32.6, 43.24, 79.2, 79.7, 79.11,  
280/639, 640, 651; 248/129; 188/5  
See application file for complete search history.

(56) **References Cited**

**U.S. PATENT DOCUMENTS**

D309,967 S	*	8/1990	Fagan	.....	D34/23
D320,484 S		10/1991	Wallin		
5,174,592 A		12/1992	Pool		
5,330,209 A		7/1994	Pool		
D351,707 S	*	10/1994	Pill	.....	D34/23
D384,466 S	*	9/1997	Taylor	.....	D34/23
D396,920 S		8/1998	Whiteside et al.		
D401,029 S	*	11/1998	Taylor	.....	D34/23
D401,715 S	*	11/1998	Whiteside et al.	.....	D34/23
D403,822 S	*	1/1999	Whiteside et al.	.....	D34/23
D406,433 S	*	3/1999	Taylor et al.	.....	D34/23
D406,683 S	*	3/1999	Taylor et al.	.....	D34/23
5,895,062 A	*	4/1999	Miles et al.	.....	280/32.6
6,076,838 A	*	6/2000	Peterson et al.	.....	280/32.6
D458,432 S	*	6/2002	Whiteside et al.	.....	D34/23
D460,237 S	*	7/2002	Hart	.....	D34/23
6,705,622 B1	*	3/2004	Whiteside	.....	280/32.6
6,834,868 B1		12/2004	Blackburn		

**OTHER PUBLICATIONS**

Catalog, REL Products Incorporated, Van Buren, AR, 3 pages.

Blue-Max, Catalog, P&B Mfg. Co, 3 pages.

E-Z Red Brochure, 1 page.

Product Catalog, Performance Tool, Wilmar Corporation, 1996, 2 pages.

Product Catalog, Peterson Automotive/The Remline Company/Flambeau, 2 pages.

Creepers, MAC Tools, p. 179.

Product Catalog (93), Whiteside, 1993, 5 pages.

Product Catalog (95), Whiteside, 1995, 4 pages.

Sunex Tools Catalog, pp. 19 and 69.

\* cited by examiner

*Primary Examiner*—Freda Nunn

*Assistant Examiner*—Kevin K. Rudzinski

(74) *Attorney, Agent, or Firm*—Alston & Bird LLP

(57) **CLAIM**

The ornamental design for creeper, as shown and described.

**DESCRIPTION**

FIG. 1 is a perspective view of a creeper according to an embodiment of the present invention;

FIG. 2 is a top plan view of the creeper shown in FIG. 1;

FIG. 3 is a bottom plan view of the creeper shown in FIG. 1;

FIG. 4 is a right side elevation view of the creeper shown in FIG. 1;

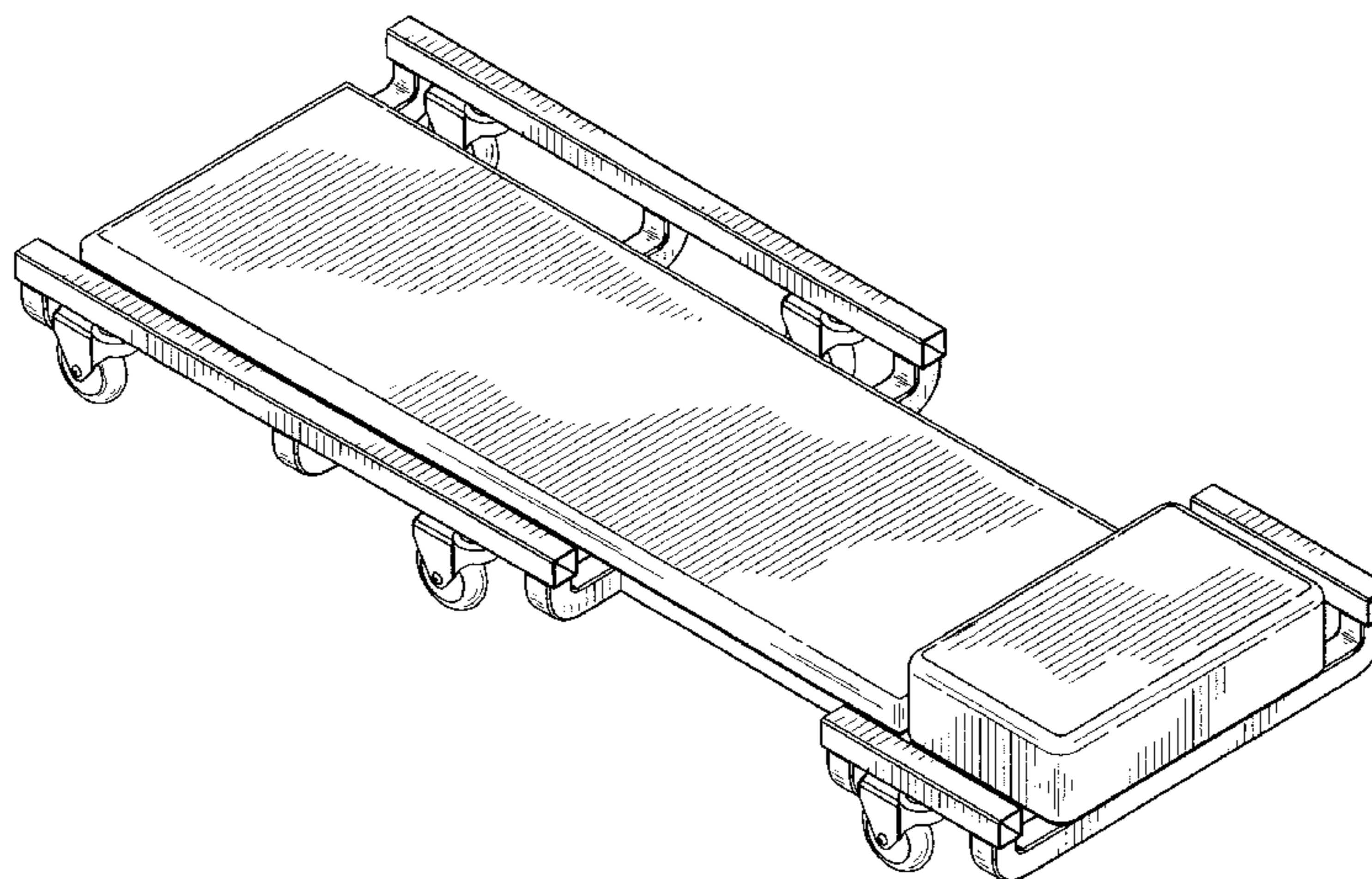
FIG. 5 is a left side elevation view of the creeper shown in FIG. 1;

FIG. 6 is a front elevation view of the creeper shown in FIG. 1; and,

FIG. 7 is a back elevation view of the creeper shown in FIG. 1.

The broken lines shown herein are for illustrative purposes only and form no part of the claimed design.

**1 Claim, 7 Drawing Sheets**



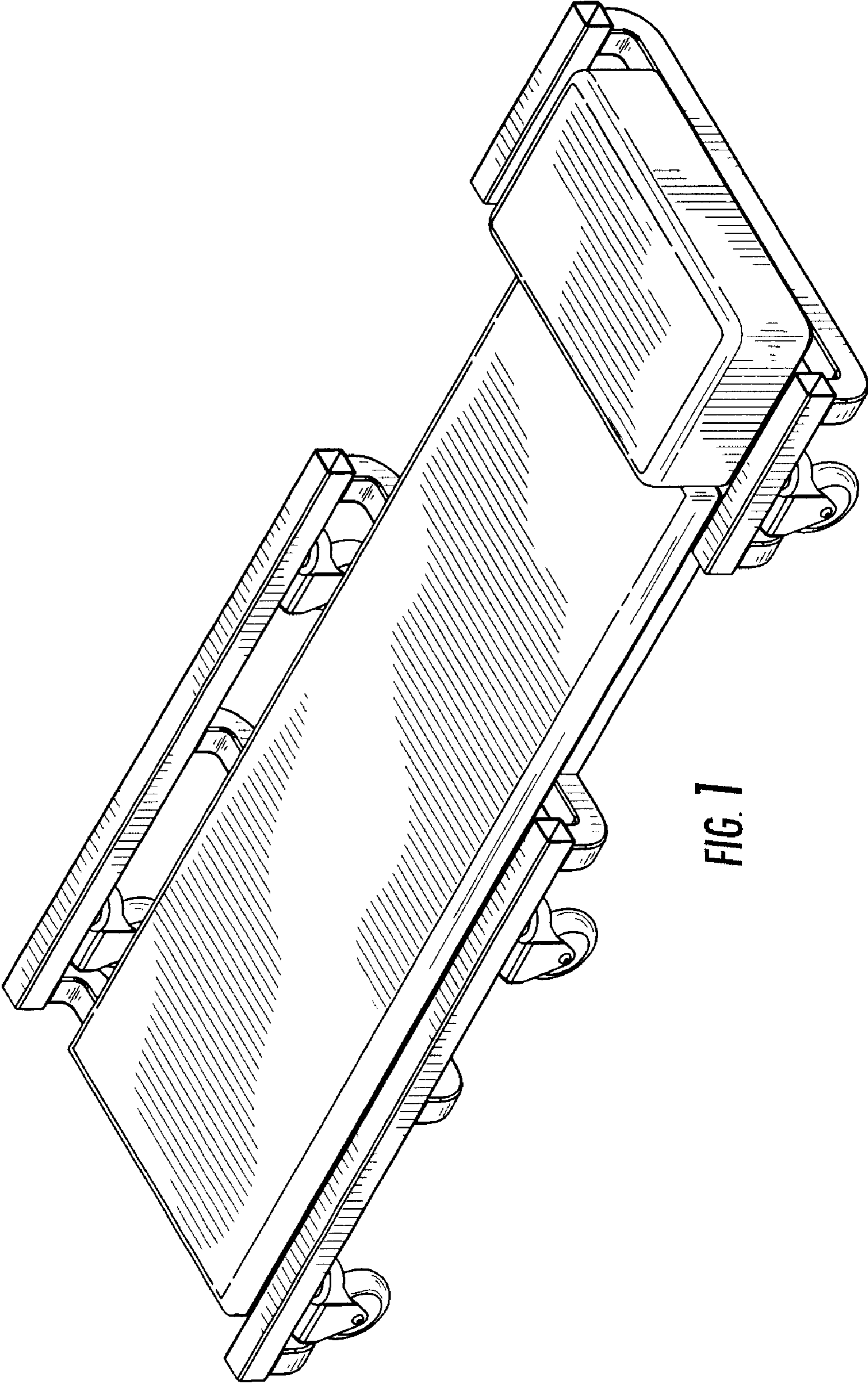


FIG. 1

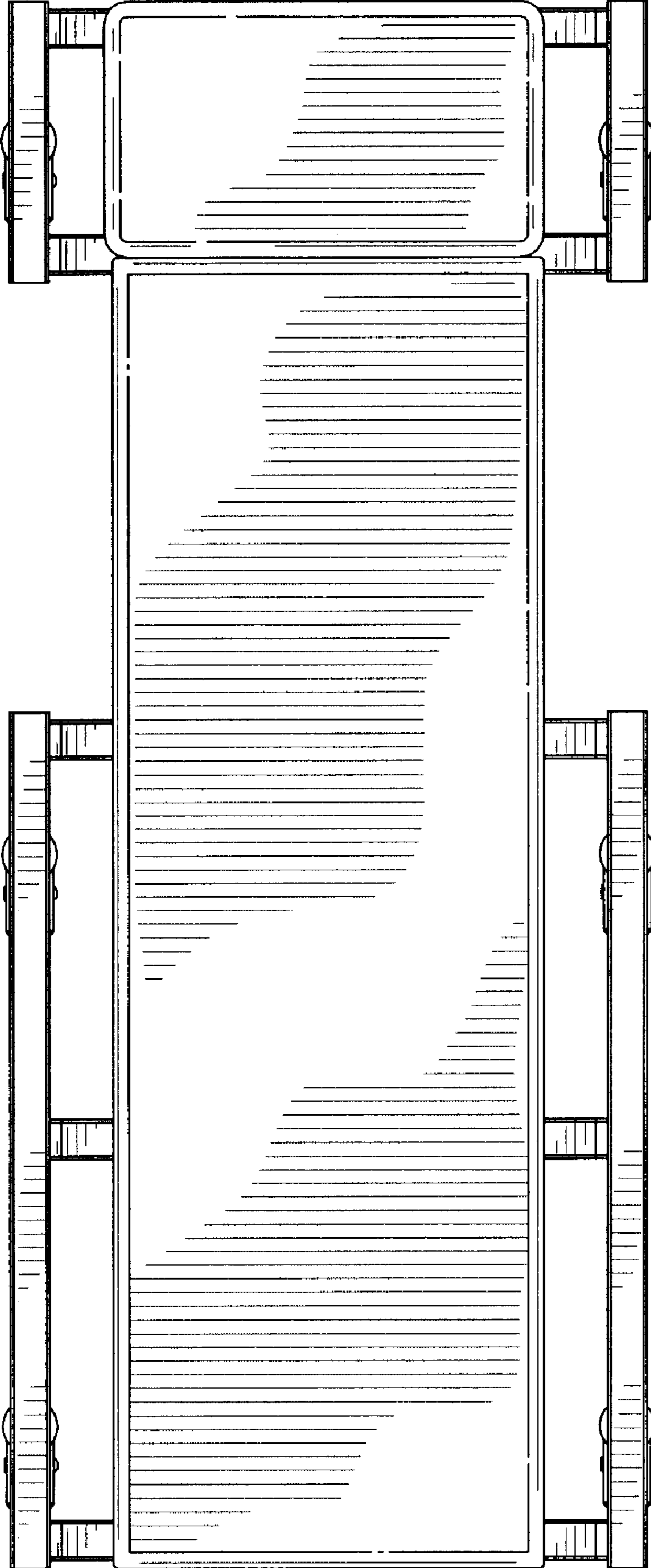


FIG. 2

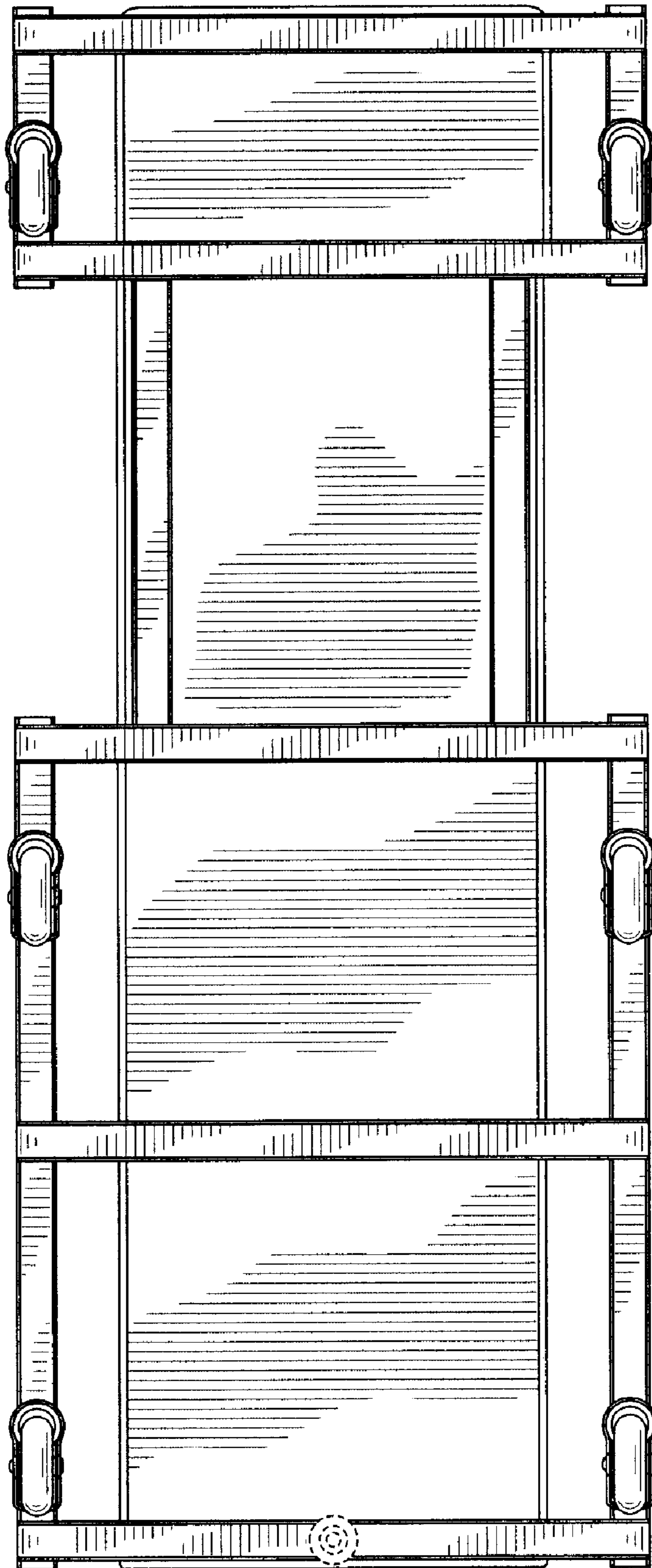


FIG. 3

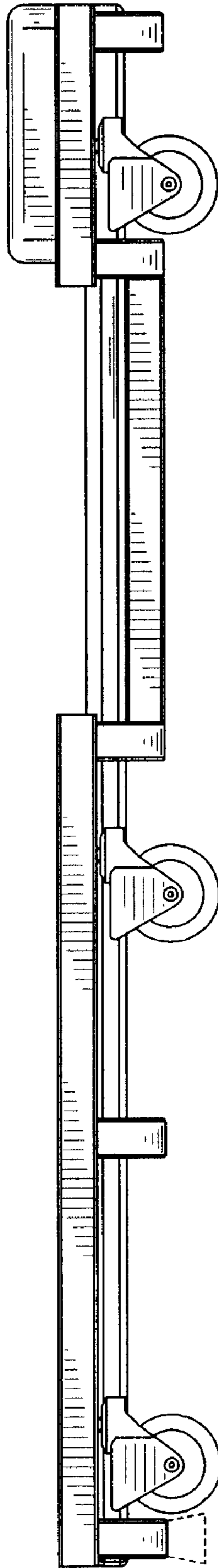


FIG. 4

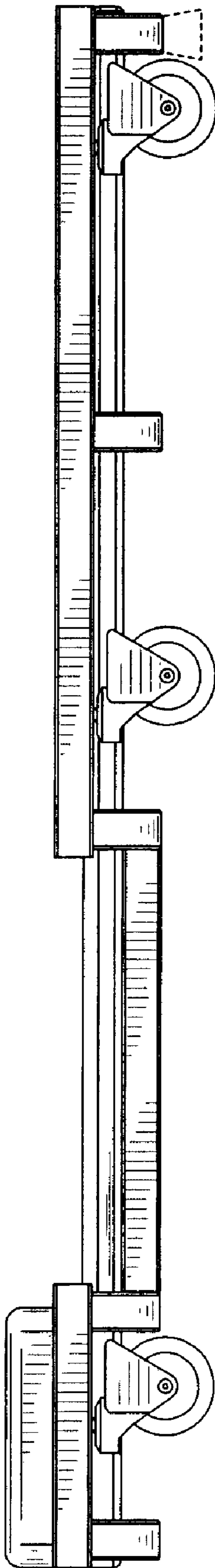


FIG. 5

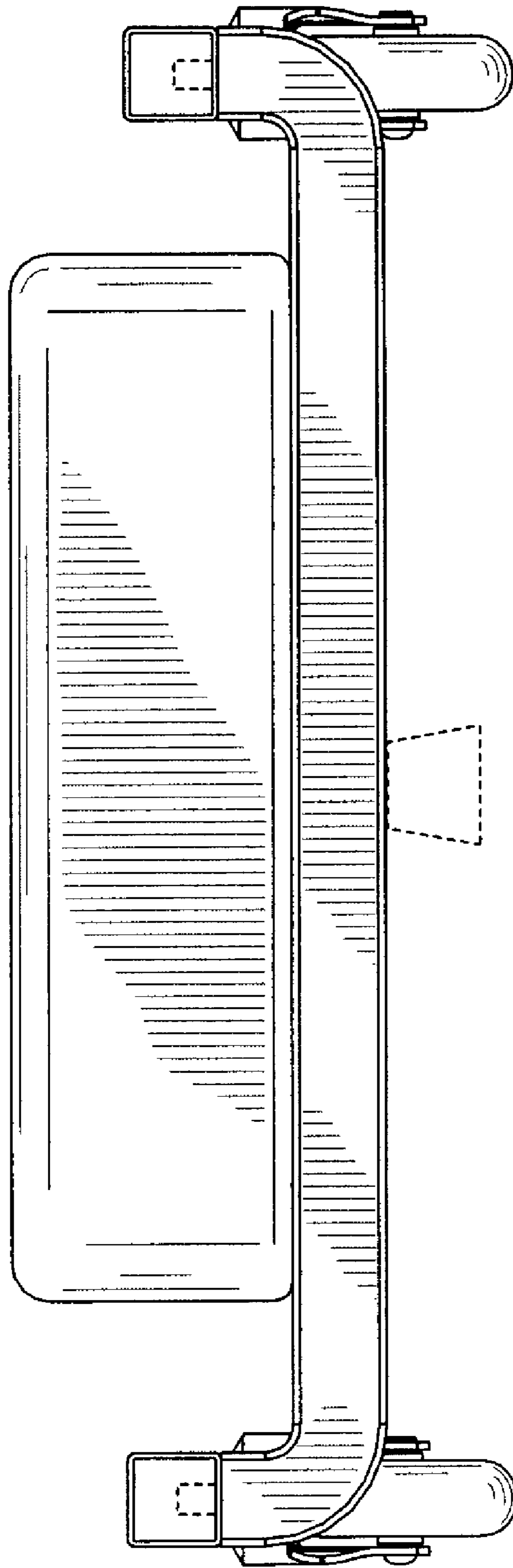


FIG. 6

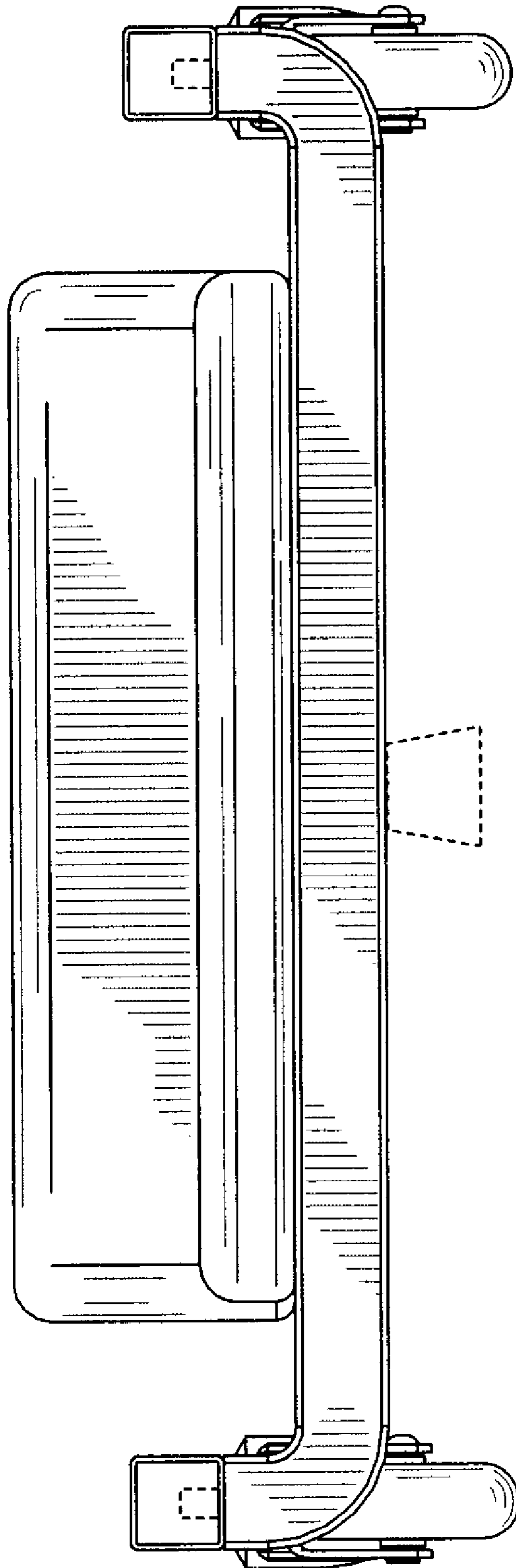


FIG. 7