

US00D527158S

(12) **United States Design Patent**
Steinmeyer

(10) **Patent No.:** **US D527,158 S**

(45) **Date of Patent:** **** Aug. 22, 2006**

(54) **CART**

(76) **Inventor:** **James H. Steinmeyer**, 514 S. Parish Pl., Burbank, CA (US) 91506

(**) **Term:** **14 Years**

(21) **Appl. No.:** **29/237,970**

(22) **Filed:** **Sep. 7, 2005**

(51) **LOC (8) Cl.** **12-02**

(52) **U.S. Cl.** **D34/17**

(58) **Field of Classification Search** D34/12-27;
108/144, 180; 312/218, 209, 108; 211/187;
D6/479, 478, 475; 248/311.2; 280/79.11
See application file for complete search history.

(56) **References Cited**

U.S. PATENT DOCUMENTS

3,779,623	A	*	12/1973	Motohashi	312/257.1
D361,419	S	*	8/1995	Snell	D34/21
D361,643	S	*	8/1995	Snell	D34/21
D396,581	S	*	8/1998	Schubert	D6/478
D423,171	S	*	4/2000	Alcala et al.	D34/19
D427,405	S	*	6/2000	McCann	D34/21

D450,903	S	*	11/2001	Wacker et al.	D34/20
D484,670	S	*	12/2003	Robinson	D99/35
6,669,214	B1	*	12/2003	Domis	280/47.35

* cited by examiner

Primary Examiner—Freda Nunn

Assistant Examiner—Kevin K. Rudzinski

(74) *Attorney, Agent, or Firm*—James E. Brunton, Esq.

(57) **CLAIM**

The ornamental design for “cart,” as shown.

DESCRIPTION

FIG. 1 is a perspective view of an “cart” showing my new design;

FIG. 2 is a rear view thereof;

FIG. 3 is a front view thereof;

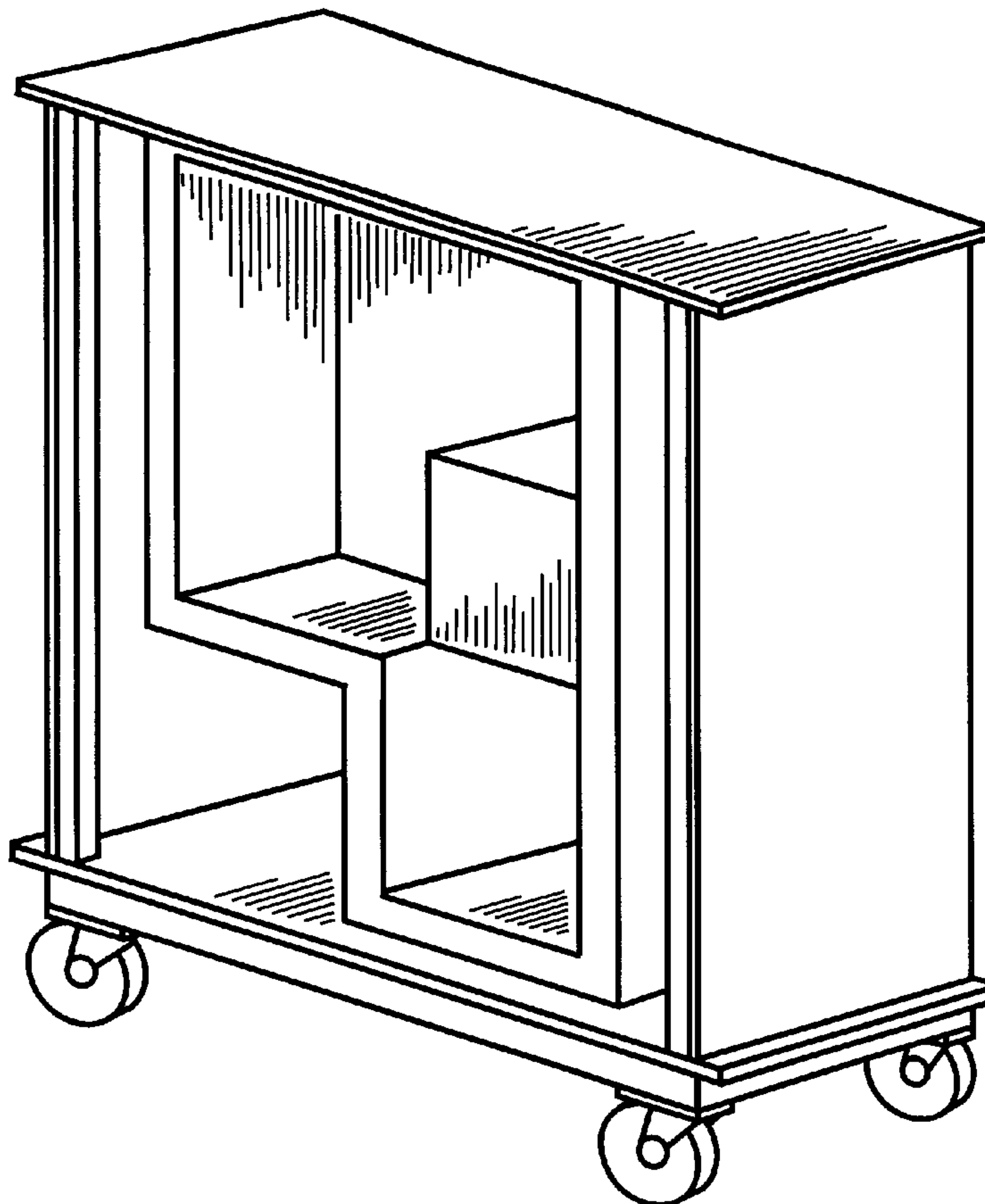
FIG. 4 is an end view thereof; the opposite end being identical thereto;

FIG. 5 is a top plan view thereof;

FIG. 6 is a bottom plan view thereof; and,

FIG. 7 is a cross-sectional view taken along lines 7—7 of FIG. 3.

1 Claim, 3 Drawing Sheets



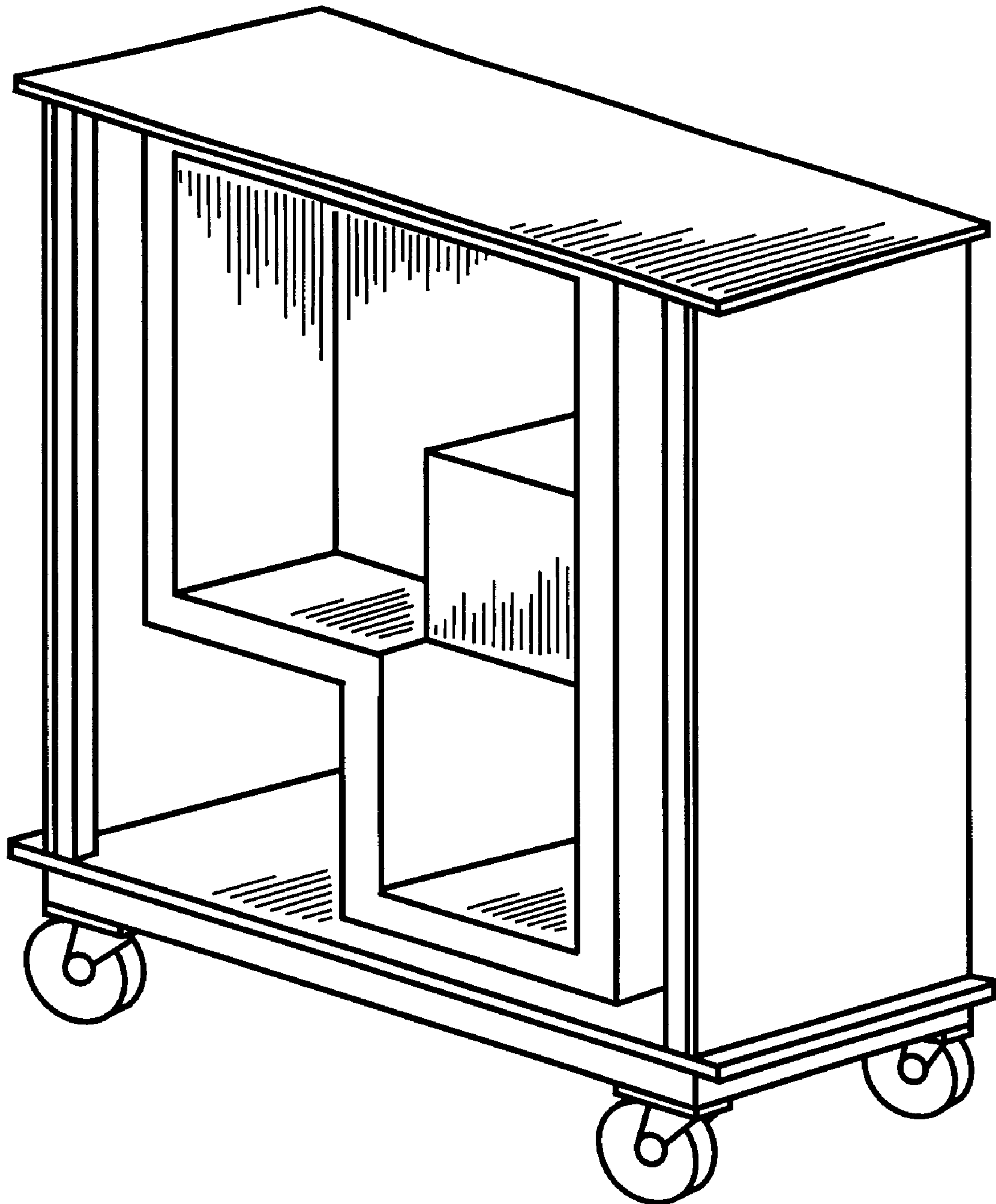


Fig. 1

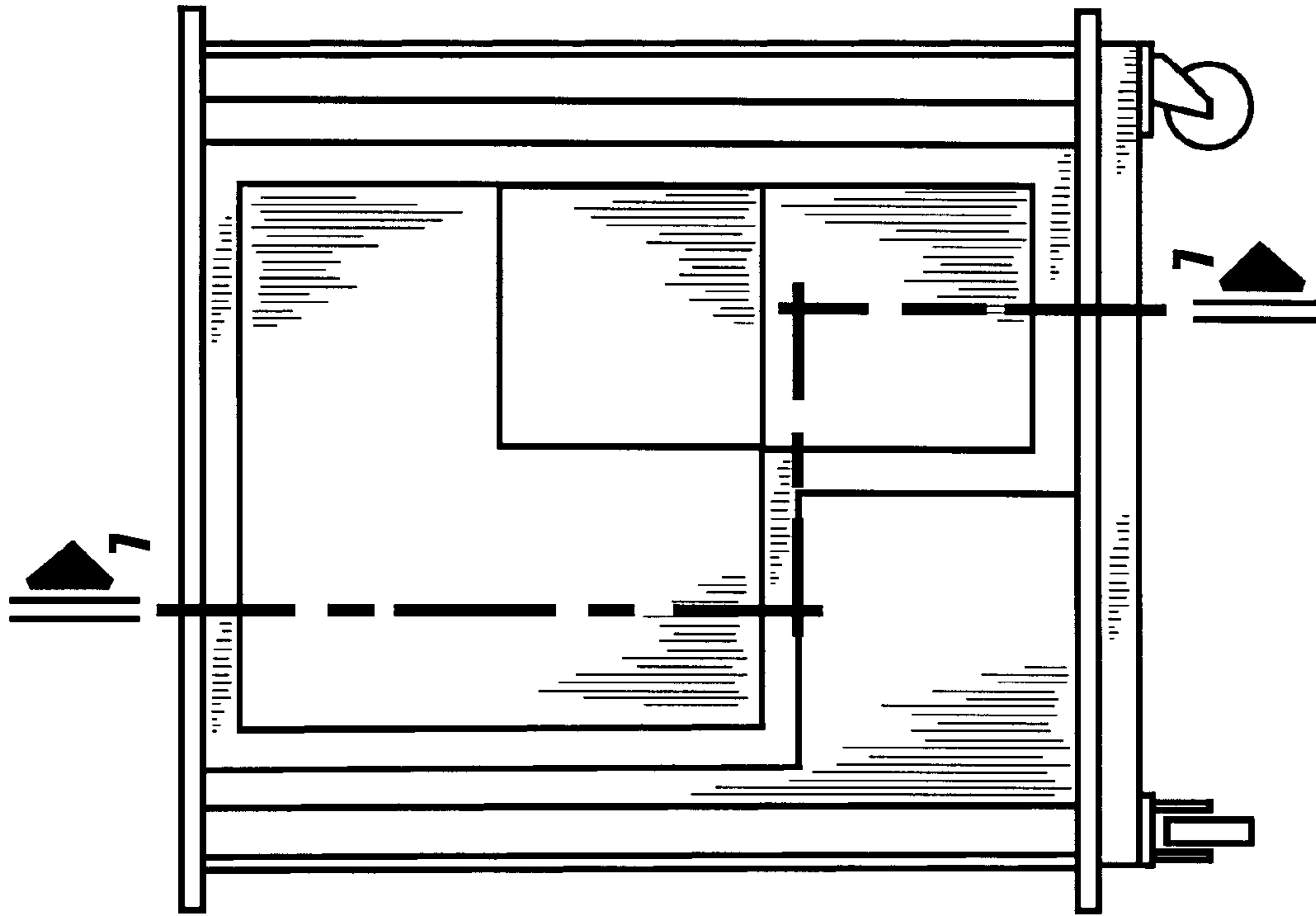


Fig. 3

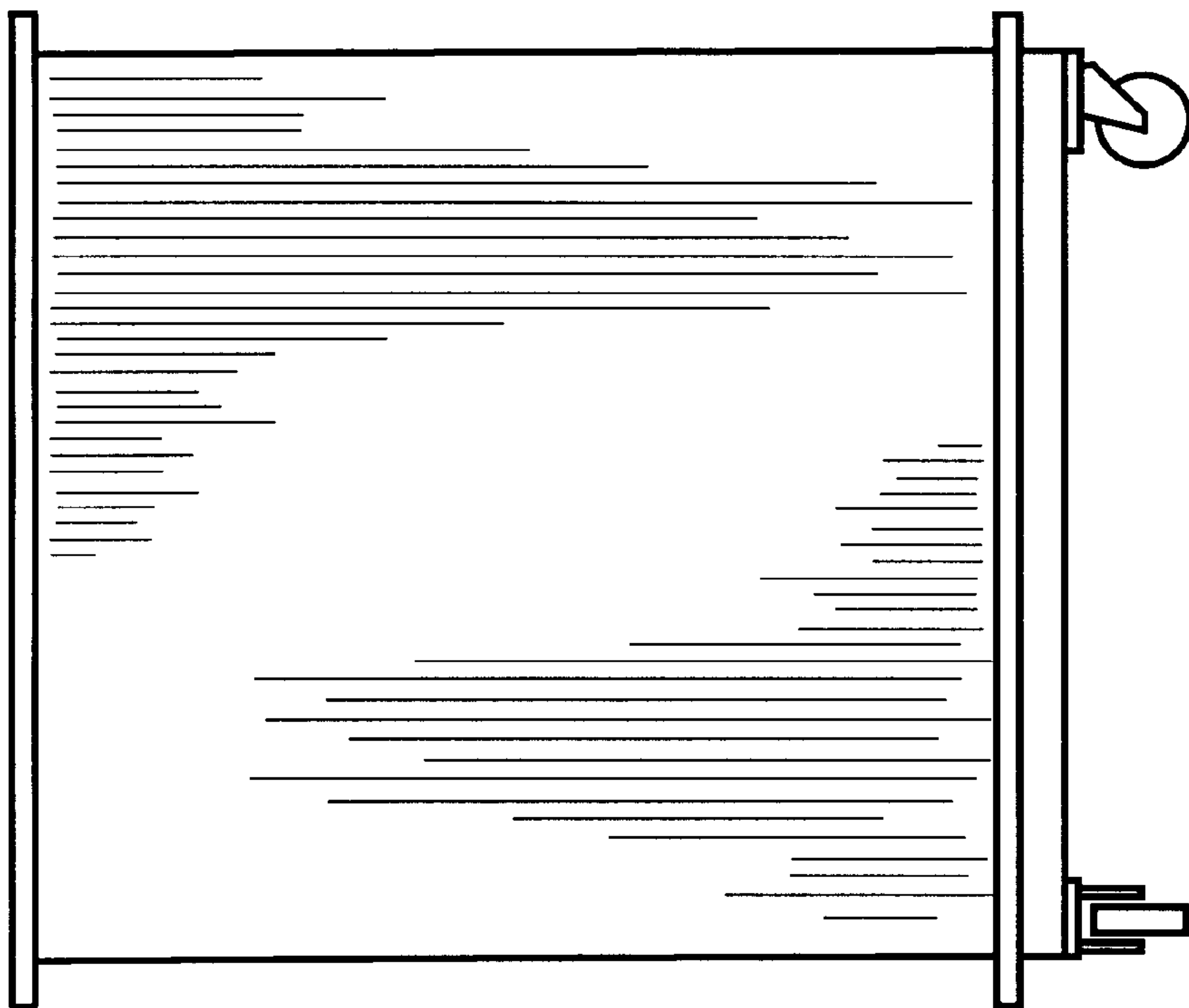


Fig. 2

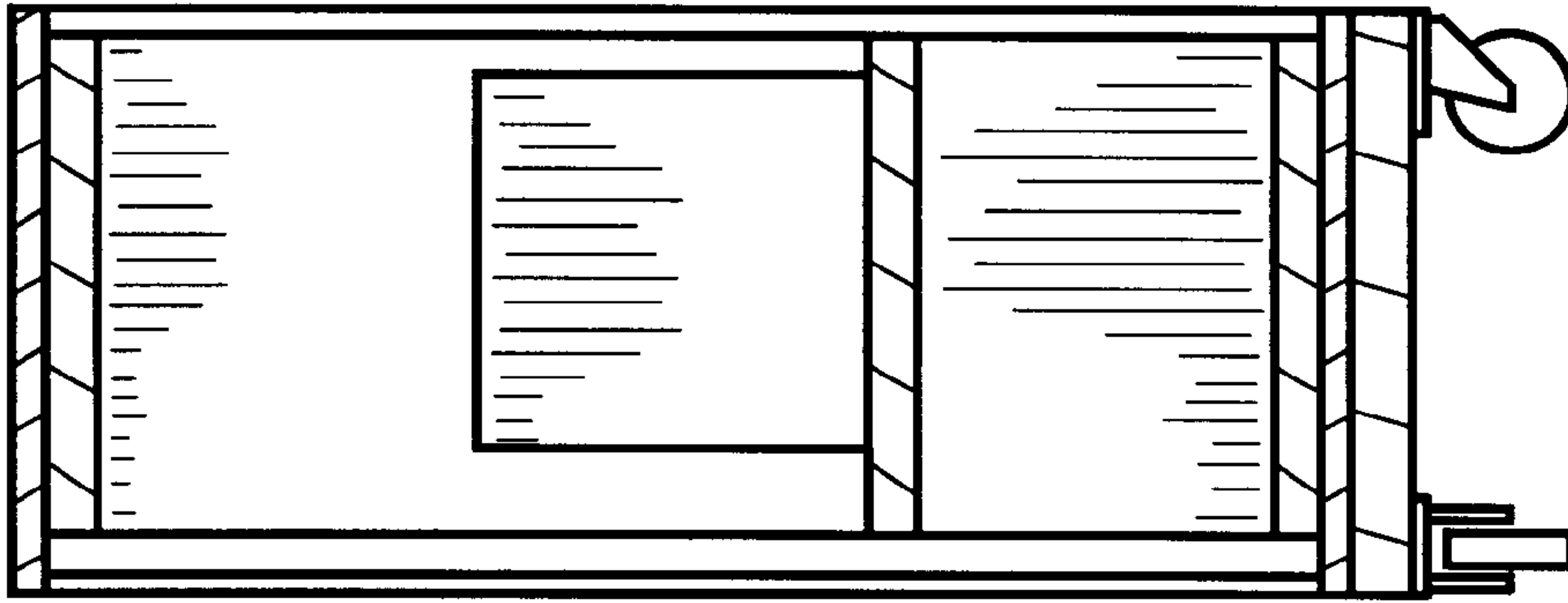


Fig. 7

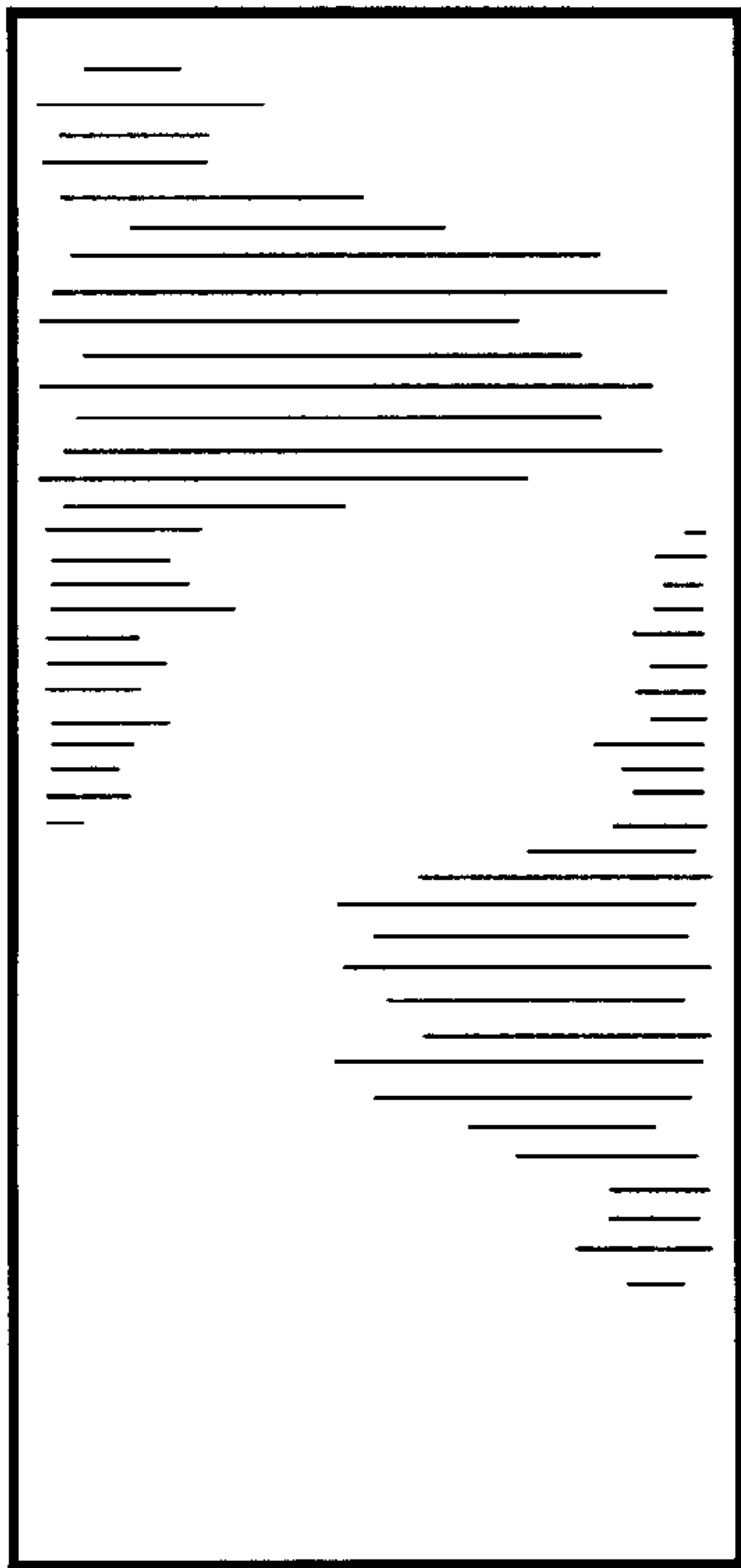


Fig. 5

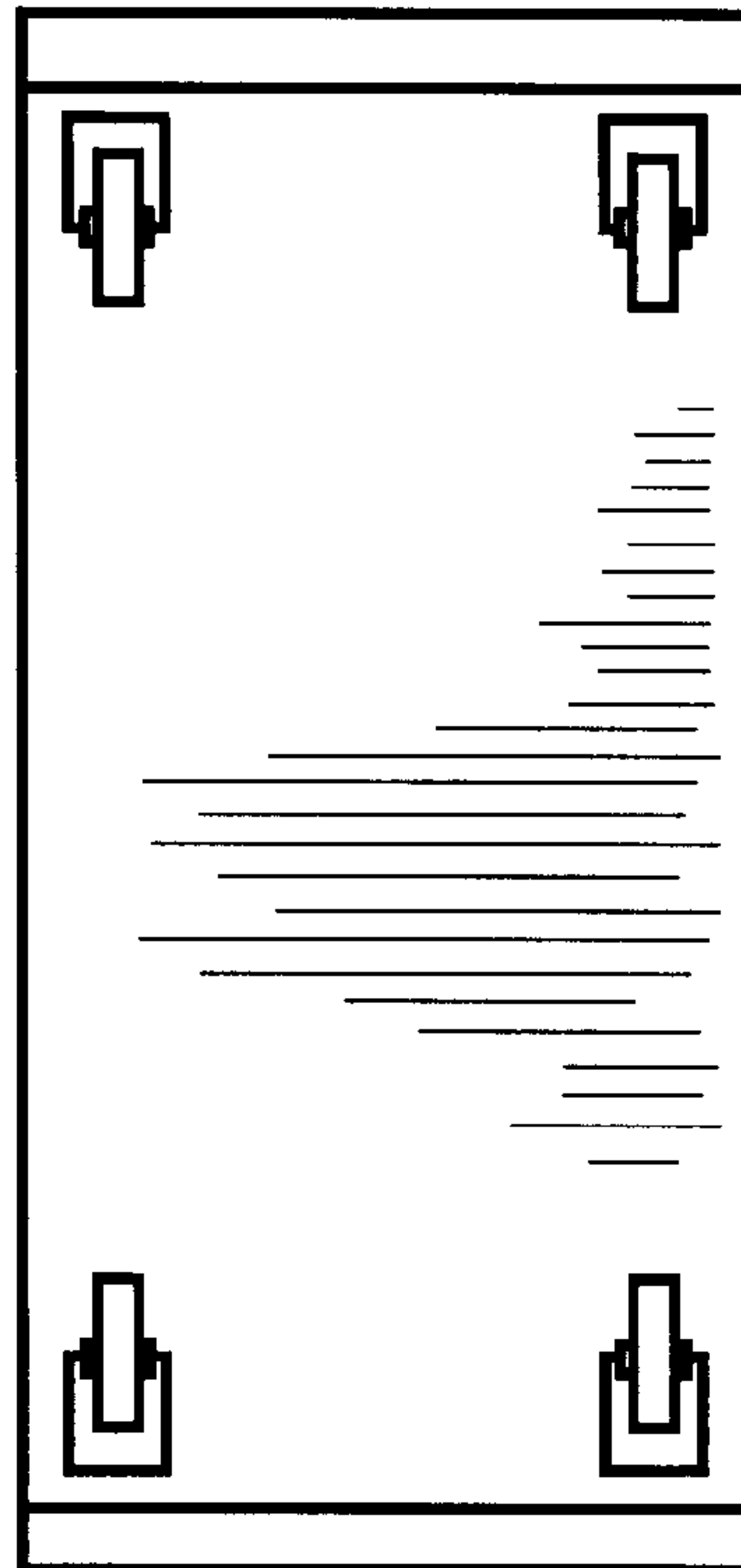


Fig. 6

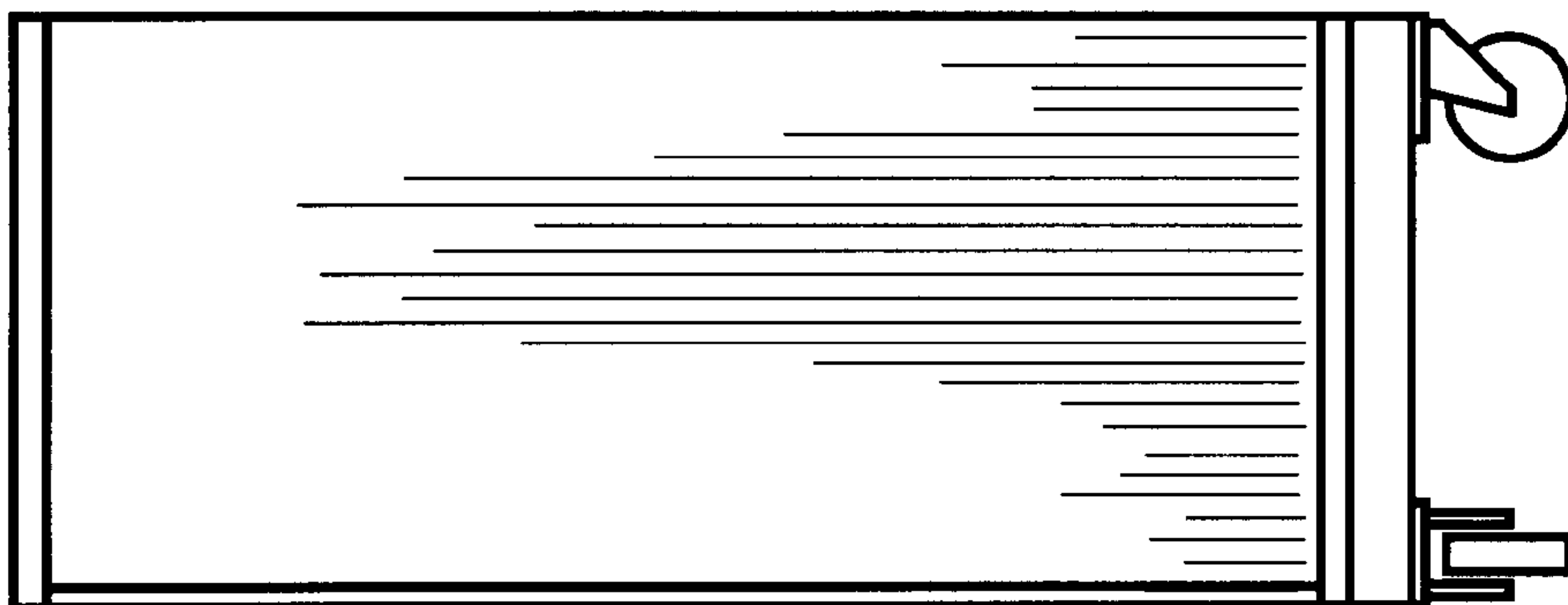


Fig. 4