

US00D527154S

(12) **United States Design Patent**
Leung

(10) **Patent No.:** **US D527,154 S**

(45) **Date of Patent:** **** Aug. 22, 2006**

(54) **STEAM IRON**
(75) Inventor: **Albert Yat Cheong Leung**, Kowloon (HK)
(73) Assignee: **Tunbow Electrical Limited**, Hong Kong (CN)
(**) Term: **14 Years**

D368,348 S 3/1996 Loomis et al.
D369,004 S 4/1996 Reibl
D369,005 S 4/1996 Stützer et al.
D369,890 S 5/1996 Reibl
D370,102 S 5/1996 Muller
D370,103 S 5/1996 Gudefin
D371,878 S 7/1996 Muller
D373,869 S 9/1996 Stützer et al.
D373,870 S 9/1996 Reibl
D373,872 S 9/1996 Sham
D376,455 S 12/1996 Loomis

(21) Appl. No.: **29/195,109**
(22) Filed: **Dec. 5, 2003**

(Continued)

(51) **LOC (8) Cl.** **07-05**
(52) **U.S. Cl.** **D32/68**
(58) **Field of Classification Search** D32/68-72;
38/77.1-77.8, 77.81, 77.9, 74-75, 88, 90,
38/93; 219/245-248
See application file for complete search history.

Primary Examiner—Pamela Burgess

(74) *Attorney, Agent, or Firm*—Brinks Hofer Gilson & Lione

(57) **CLAIM**

The ornamental design for a steam iron, as shown and described.

(56) **References Cited**

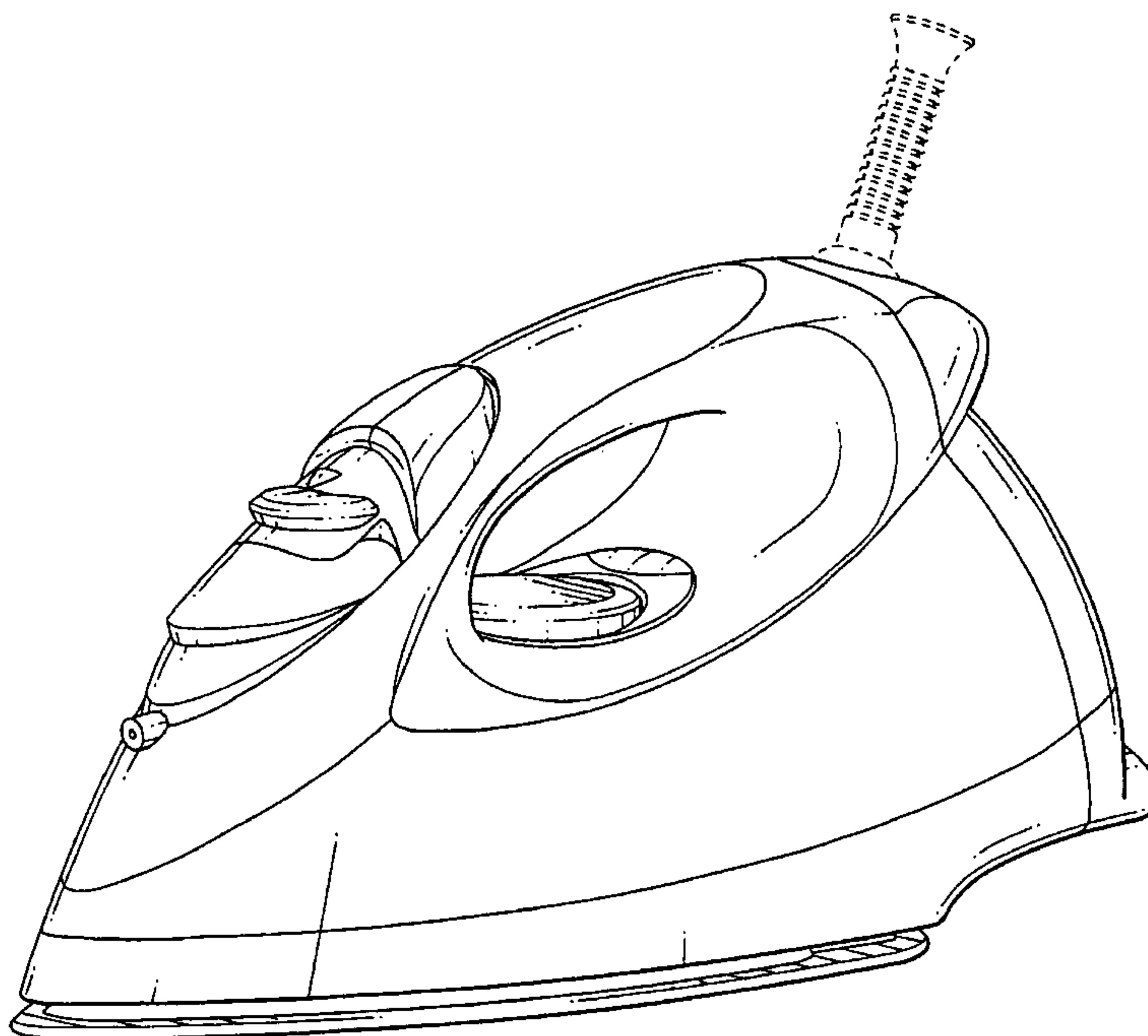
DESCRIPTION

U.S. PATENT DOCUMENTS

2,398,579 A * 4/1946 Clark et al. 38/90
D315,433 S * 3/1991 Chen D32/68
D327,151 S 6/1992 Rohner et al.
D340,329 S 10/1993 Barrault
D340,330 S 10/1993 Seguljic
D342,814 S 12/1993 Bergeron
D344,829 S 3/1994 Levin
D349,377 S 8/1994 Stützer et al.
D360,509 S 7/1995 Maeda et al.
D364,019 S 11/1995 Reibl
D364,950 S 12/1995 Classen
D365,899 S 1/1996 Wai

FIG. 1 is a perspective view of a steam iron showing my new design;
FIG. 2 is a left-side elevational view of FIG. 1;
FIG. 3 is a top view of FIG. 1;
FIG. 4 is a bottom view showing the side opposite that in FIG. 3;
FIG. 5 is a front view of FIG. 1; and,
FIG. 6 is a rear view showing the side opposite that in FIG. 5.
The broken lines shown in the drawings are for illustrative purposes only and form no part of the claimed design.

1 Claim, 6 Drawing Sheets



US D527,154 S

Page 2

U.S. PATENT DOCUMENTS

D381,153 S	7/1997	Loomis		D455,879 S	4/2002	Choi	
D388,574 S	12/1997	Clouet		D456,104 S	4/2002	Saltet	
D388,575 S	12/1997	Naft		D457,996 S	5/2002	Figur et al.	
D389,622 S	1/1998	Dziersk		D459,045 S	6/2002	Figur et al.	
D389,627 S	1/1998	Stützer et al.		D459,562 S	* 6/2002	Page et al.	D32/70
D389,968 S	1/1998	Sham		D464,779 S	10/2002	Garman	
D406,933 S	3/1999	Leverrier		D464,780 S	10/2002	Schupp	
D408,107 S	4/1999	Clouet		D465,626 S	11/2002	Edmonds	
D416,656 S	11/1999	Sadler		D466,260 S	11/2002	Wu	
D418,649 S	1/2000	Stützer et al.		D466,663 S	12/2002	Wendt	
D428,228 S	7/2000	Saltet		D468,505 S	1/2003	Fujita et al.	
D429,048 S	8/2000	Brady		D470,286 S	2/2003	Hada	
D430,371 S	8/2000	Brady et al.		D470,287 S	2/2003	Hada	
D431,338 S	9/2000	Zanardo		D470,635 S	2/2003	Choi	
D431,339 S	9/2000	Stützer et al.		D470,636 S	* 2/2003	Bas	D32/70
D435,157 S	12/2000	Naft et al.		D472,354 S	3/2003	Figur et al.	
D435,325 S	12/2000	Stützer et al.		D476,124 S	6/2003	Garman	
D436,704 S	1/2001	Stützer et al.		D476,453 S	6/2003	Garman	
D441,158 S	4/2001	Stützer et al.		D478,401 S	8/2003	Lee	
D441,929 S	* 5/2001	Taylor	D32/70	D480,192 S	9/2003	Wendt	
D442,752 S	5/2001	Choi		D480,524 S	10/2003	Wendt	
D443,122 S	* 5/2001	Yang	D32/70	D480,525 S	10/2003	Wendt	
D446,371 S	* 8/2001	Choi	D32/70	D481,503 S	10/2003	Choi	

* cited by examiner

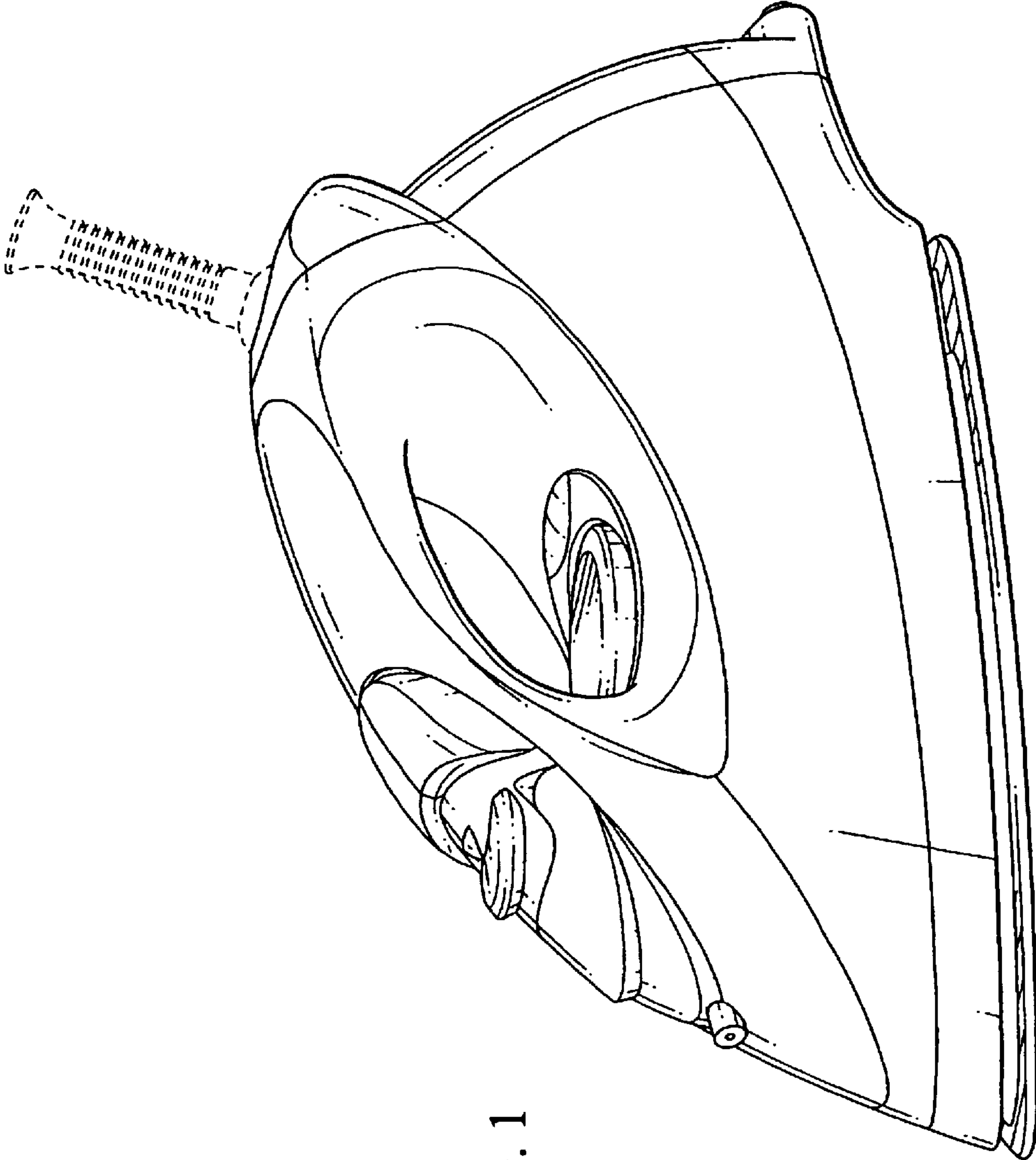


FIG. 1

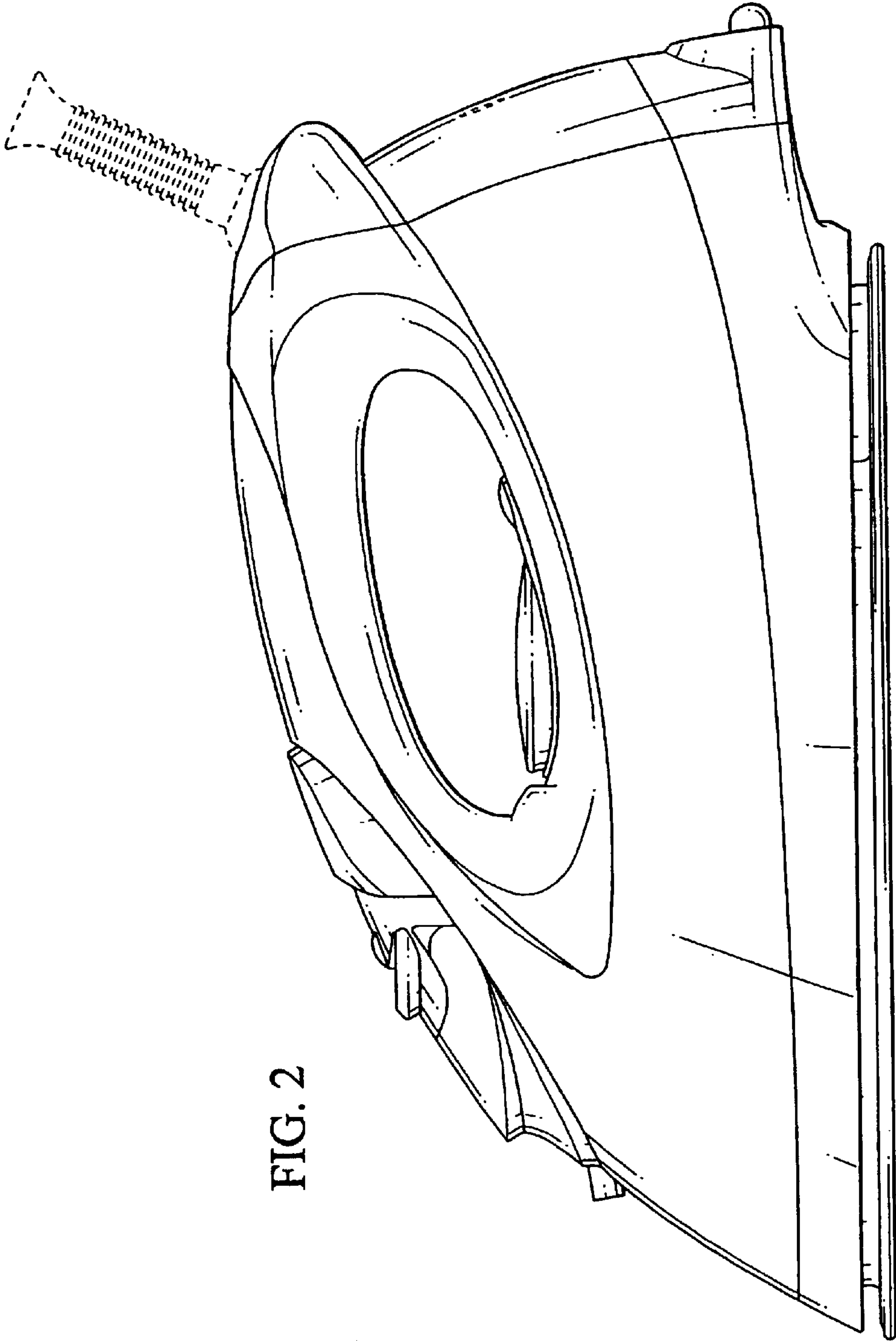


FIG. 2

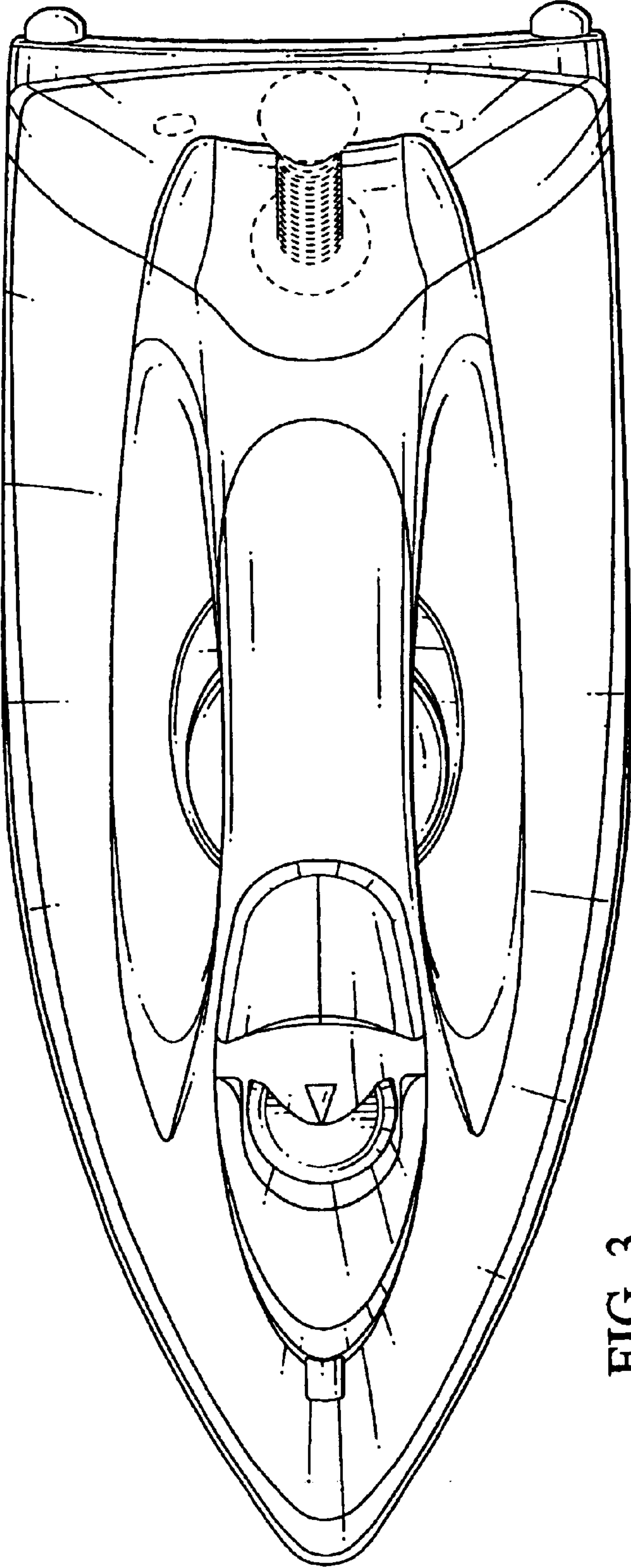


FIG. 3

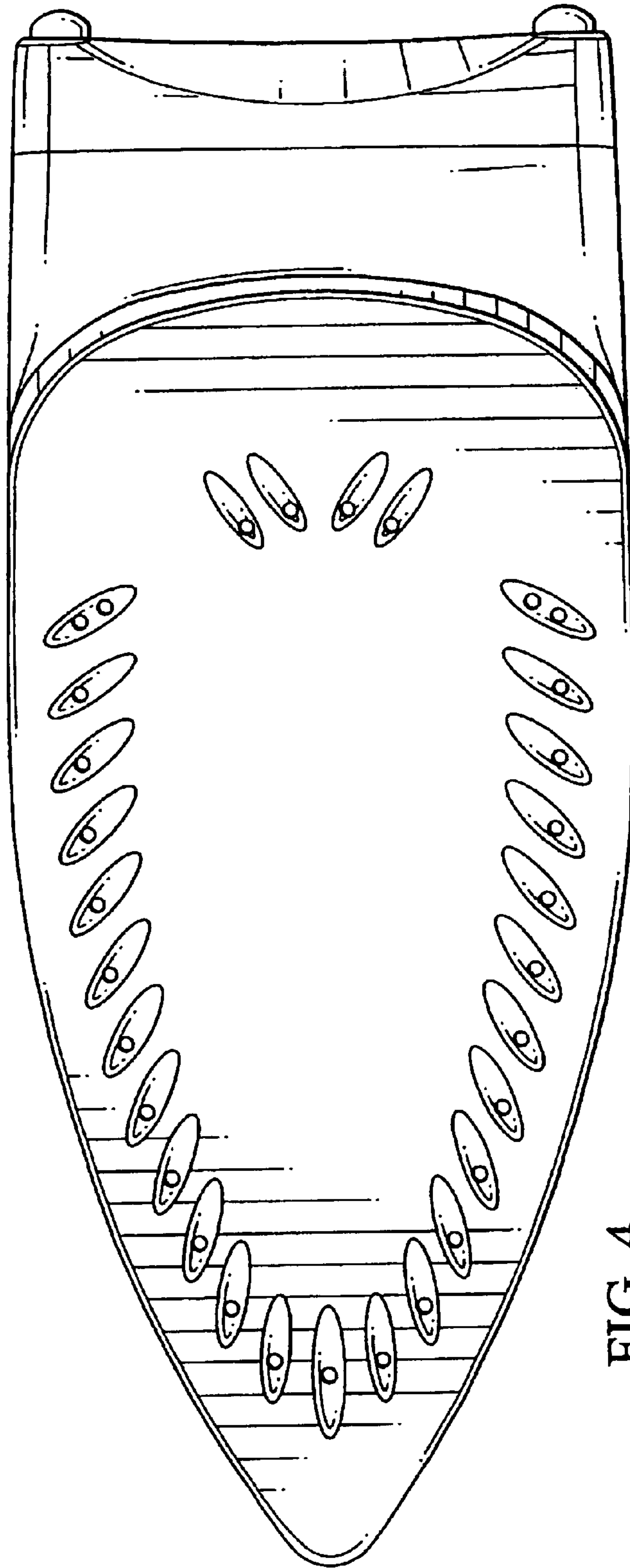


FIG. 4

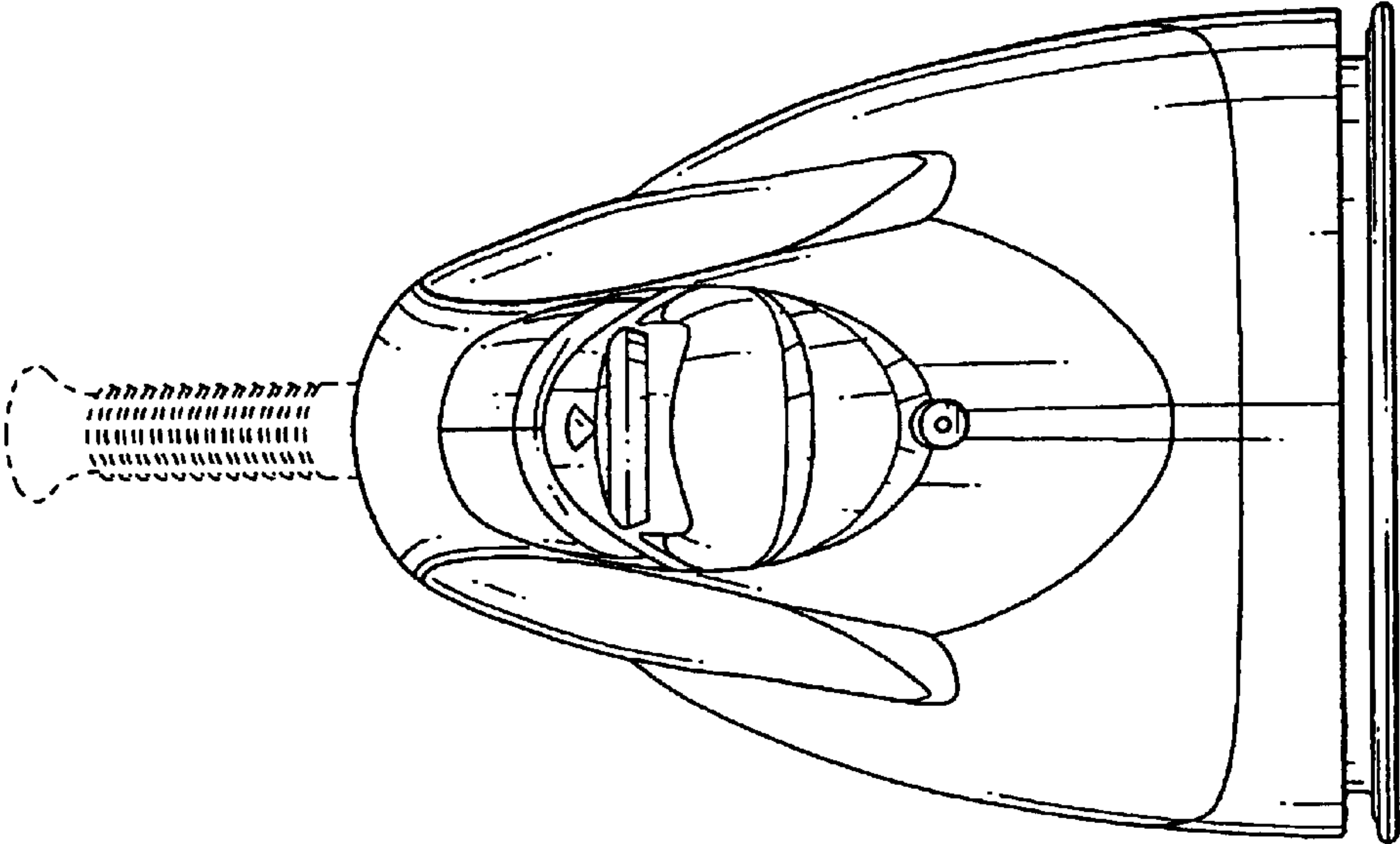


FIG. 5

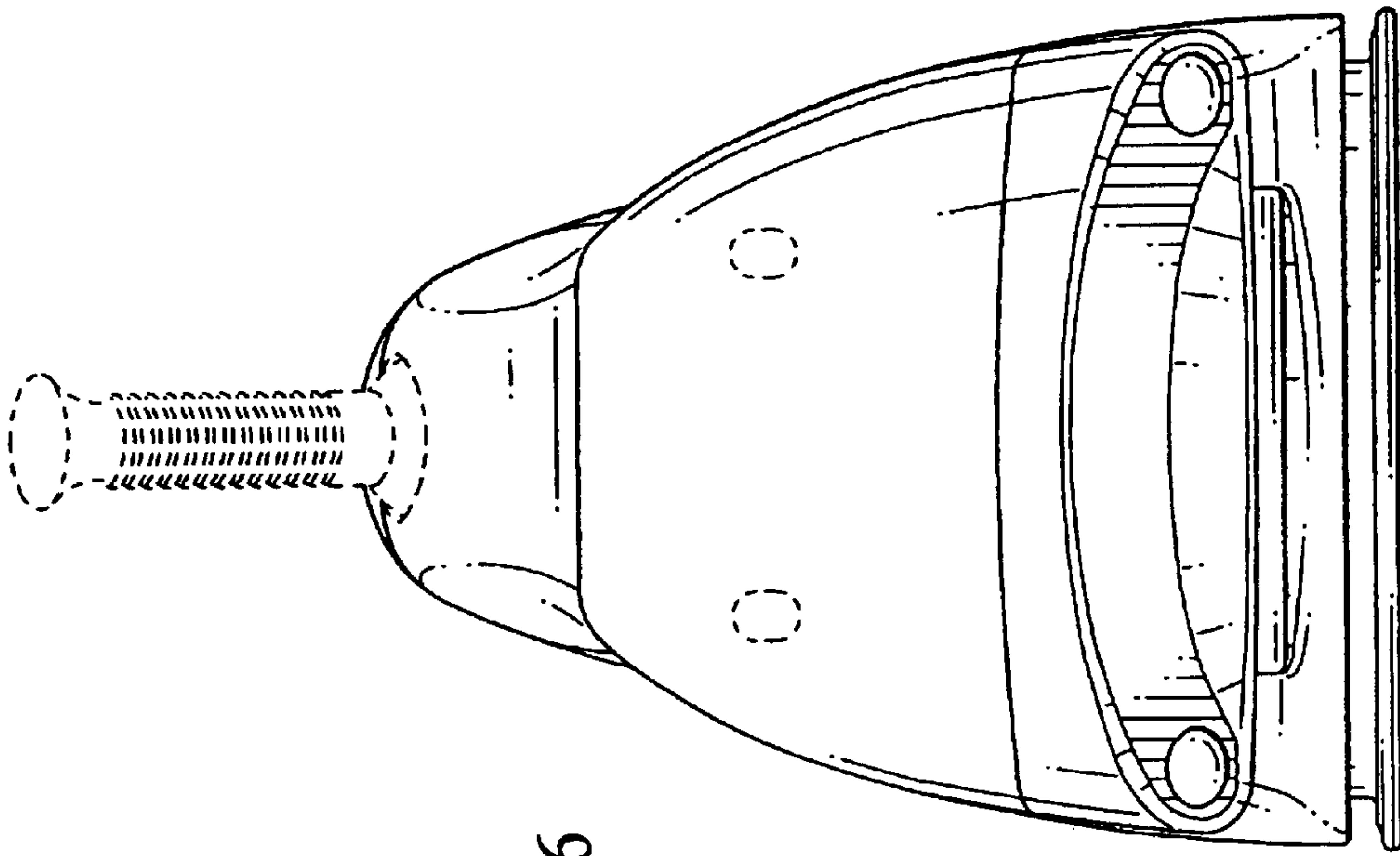


FIG. 6