



US00D527153S

(12) **United States Design Patent**
Morad et al.

(10) **Patent No.:** **US D527,153 S**

(45) **Date of Patent:** **** Aug. 22, 2006**

(54) **BUCKET**

(75) Inventors: **Fred I. Morad**, Toluca Lake, CA (US);
William P. Camp, Jr., Vanlue, OH
(US)

(73) Assignee: **Worldwide Integrated Resources,
Inc.**, Montebello, CA (US)

(**) Term: **14 Years**

(21) Appl. No.: **29/238,973**

(22) Filed: **Sep. 22, 2005**

(51) **LOC (8) Cl.** **07-07**

(52) **U.S. Cl.** **D32/53**

(58) **Field of Classification Search** D32/53,
D32/53.1; D7/603, 608, 637; D34/1; 206/505-506,
206/515-518; 220/23.86-23.89, 604, 640,
220/656-657, 904, 908-910, 500, 505, 735-736;
15/357.05, 264

See application file for complete search history.

(56) **References Cited**

U.S. PATENT DOCUMENTS

3,292,815 A * 12/1966 French et al. 220/736
D216,277 S * 12/1969 James D32/53

4,164,299 A * 8/1979 Fuhr 220/555
D286,096 S * 10/1986 Jaros et al. D32/53.1
5,472,111 A * 12/1995 Renfrew 220/570
D389,626 S * 1/1998 Lundy D32/53
D477,447 S * 7/2003 Calaicone D32/53
D477,702 S * 7/2003 Kohn D32/53.1
D499,223 S * 11/2004 Libman et al. D32/53

* cited by examiner

Primary Examiner—Pamela Burgess

(74) *Attorney, Agent, or Firm*—Thomas I. Rozsa

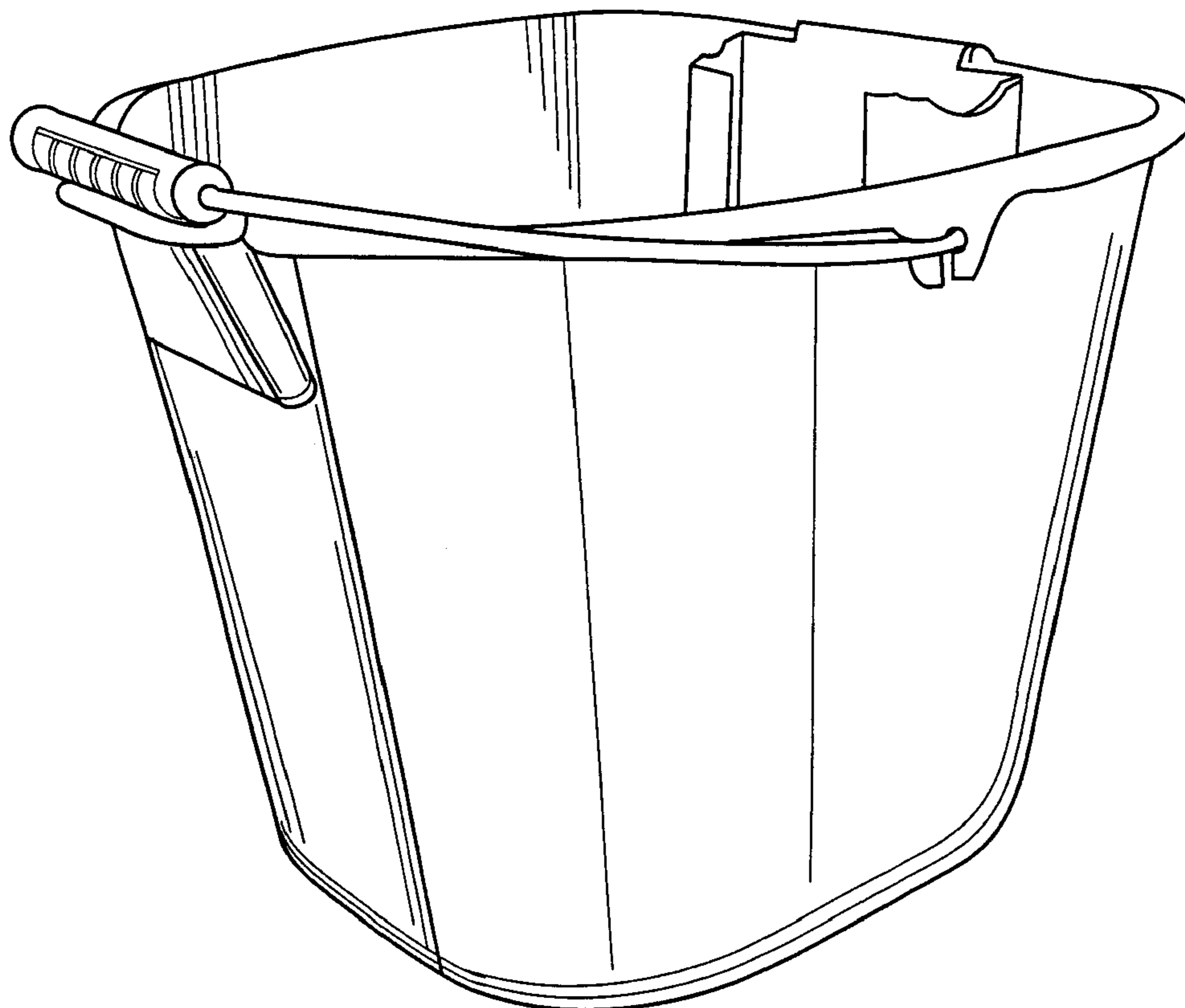
(57) **CLAIM**

The ornamental design for a bucket, as shown and described.

DESCRIPTION

FIG. 1 is a perspective view of the bucket when viewed from the right side, showing my design;
FIG. 2 is a perspective view when viewed from the front;
FIG. 3 is a front elevational view;
FIG. 4 is a side elevational view when viewed from the right side, the left side view being a mirror image;
FIG. 5 is a rear elevational view;
FIG. 6 is a perspective view when viewed from the bottom;
FIG. 7 is a bottom plan view; and,
FIG. 8 is a top plan view.

1 Claim, 8 Drawing Sheets



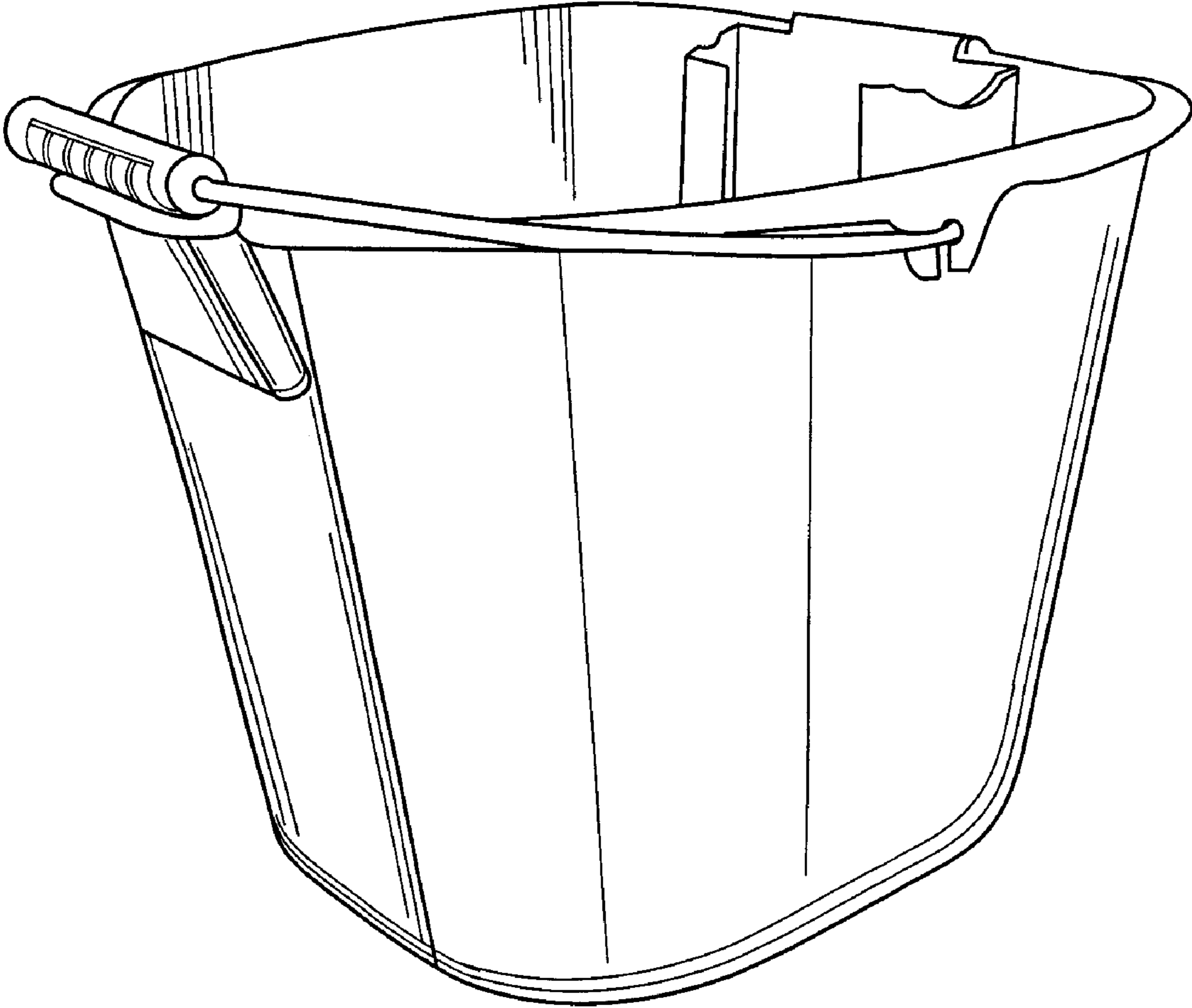


Fig. 1

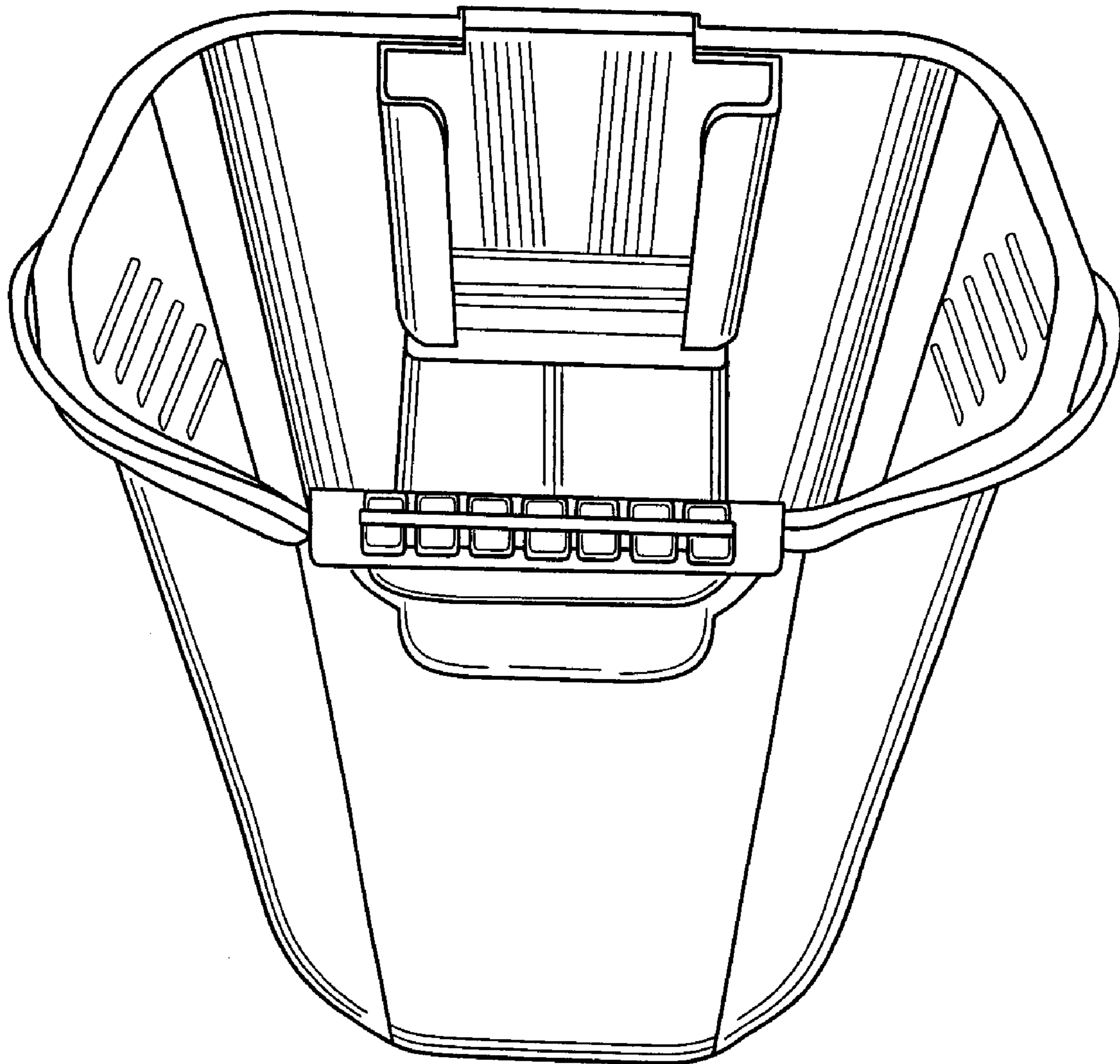


Fig. 2

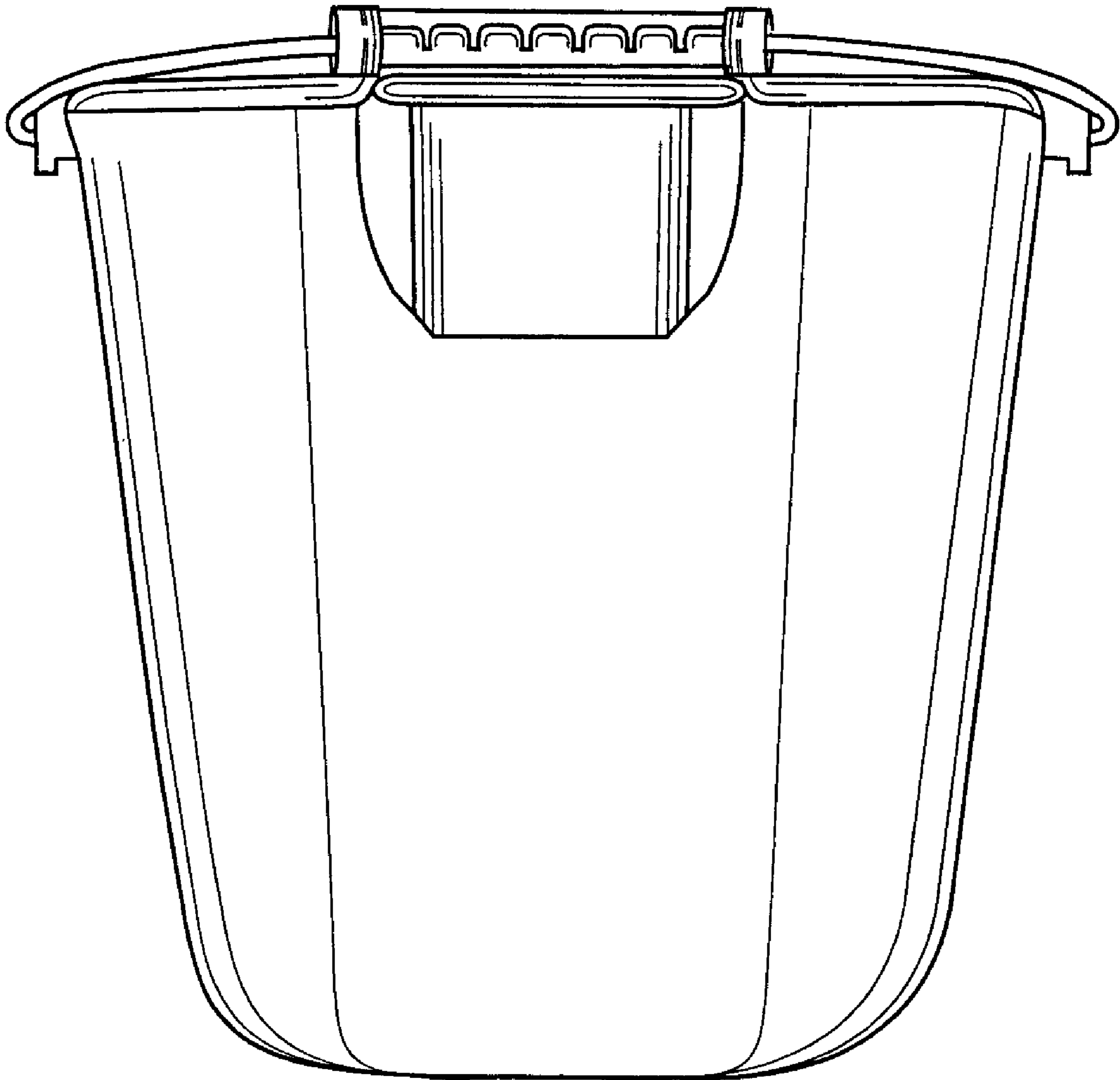


Fig. 3

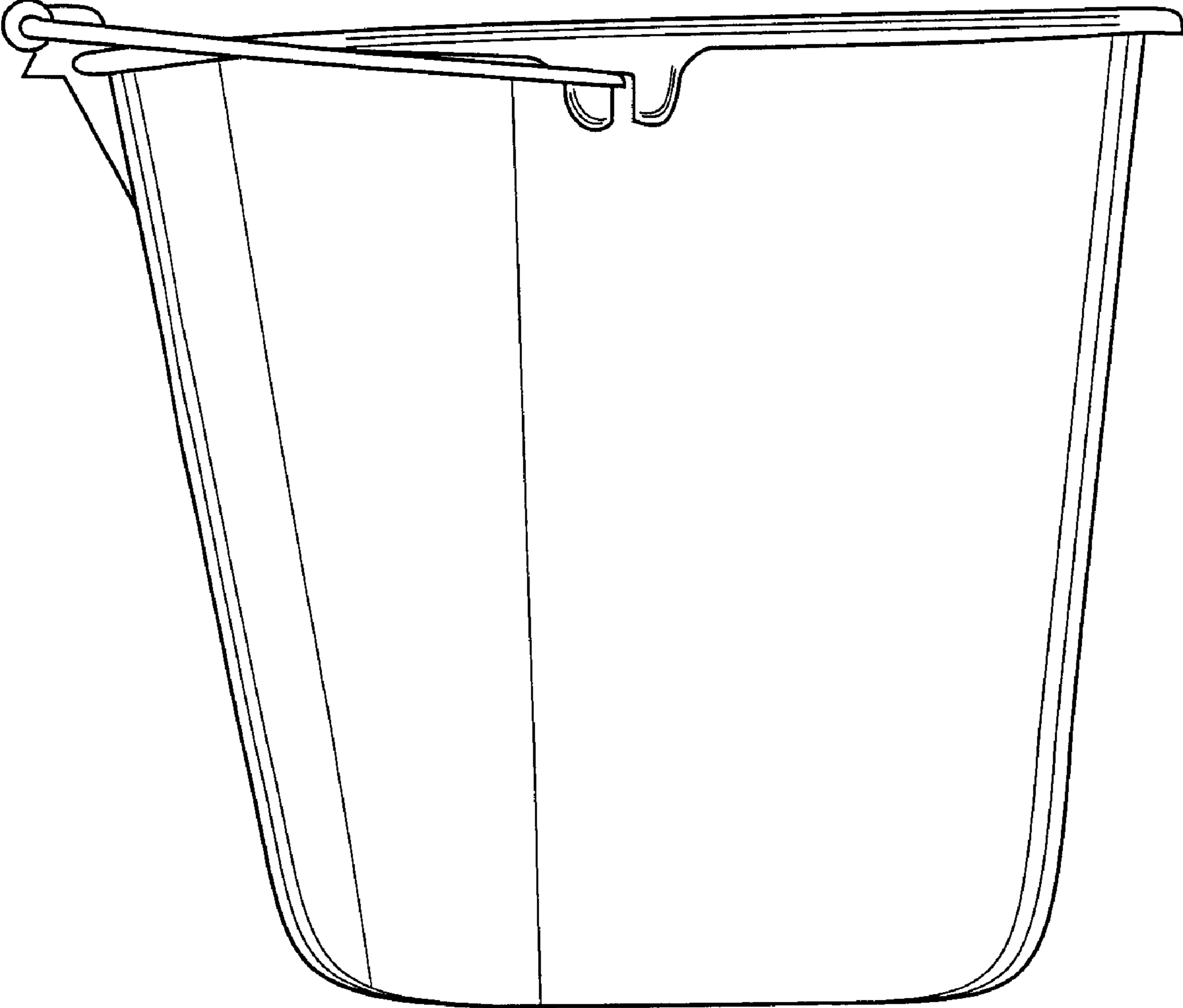


Fig. 4

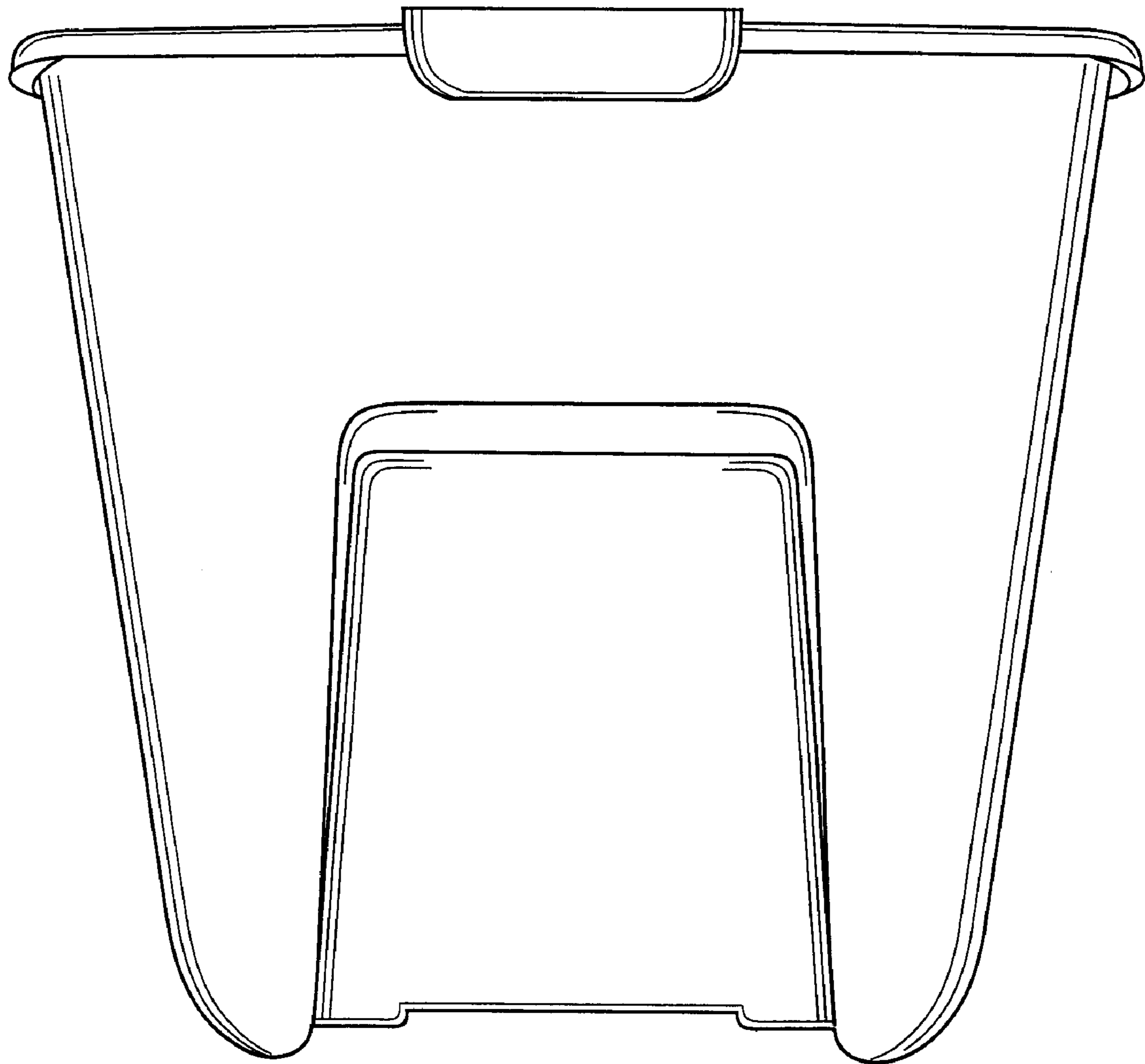


Fig. 5

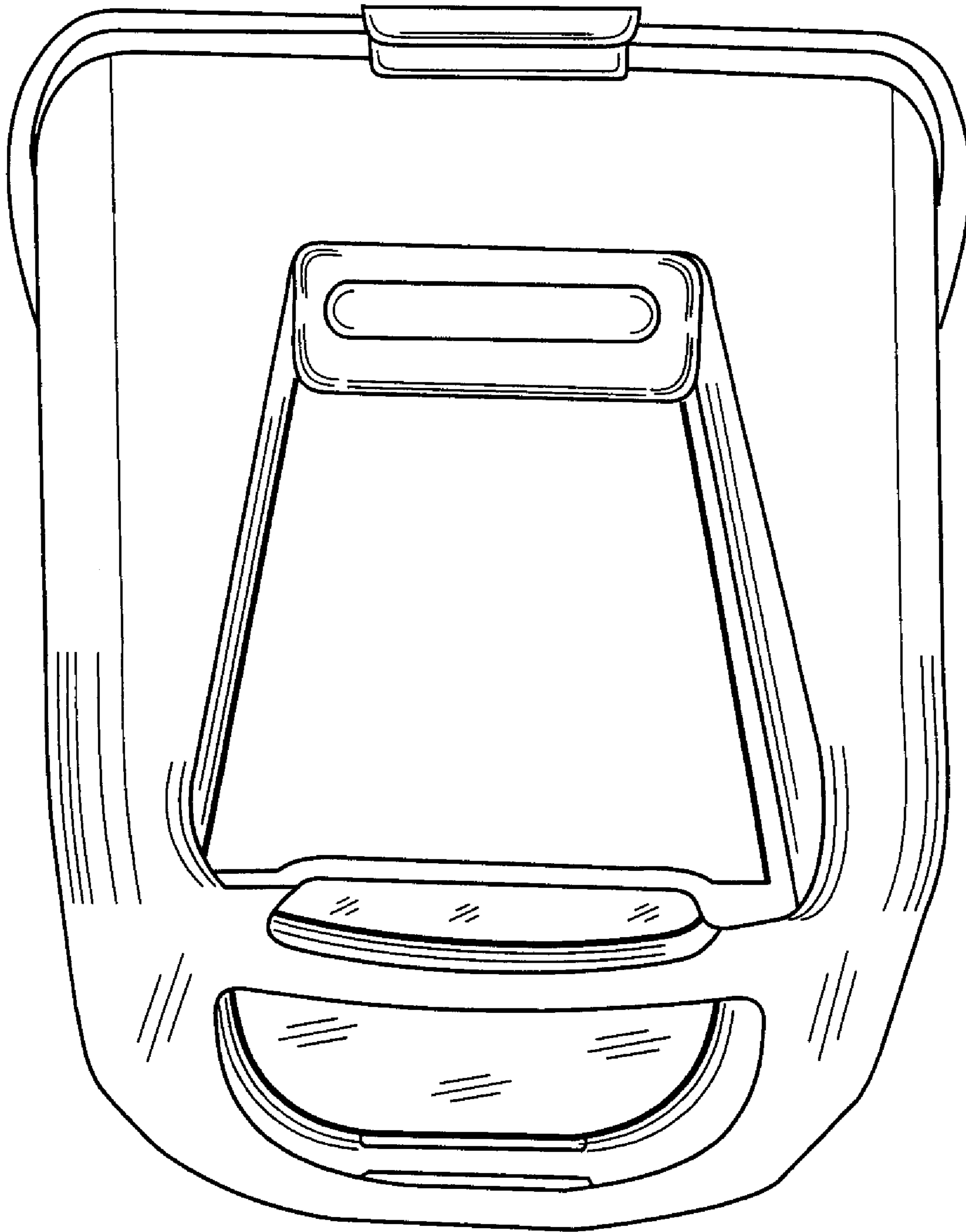


Fig. 6

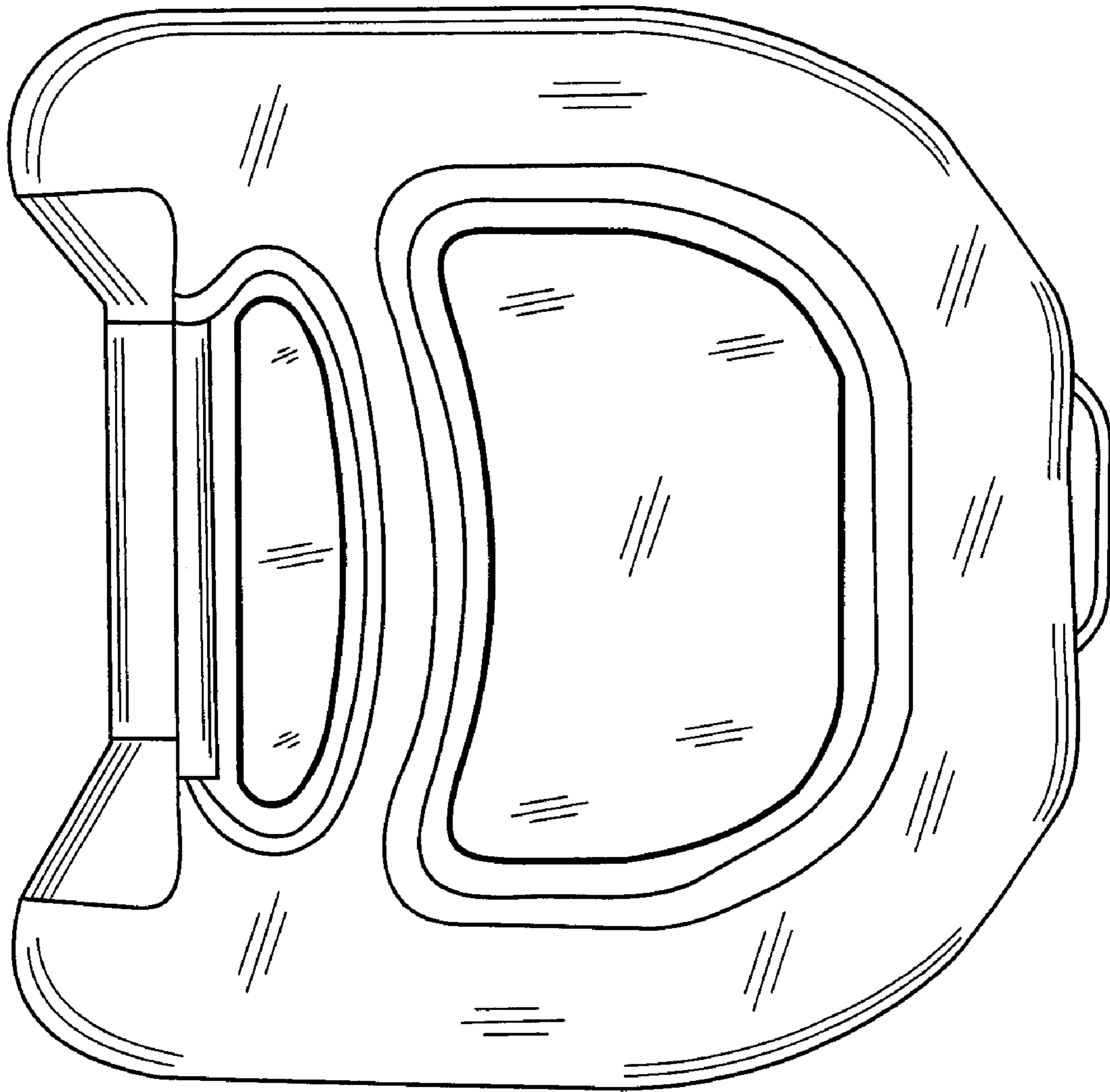


Fig. 7

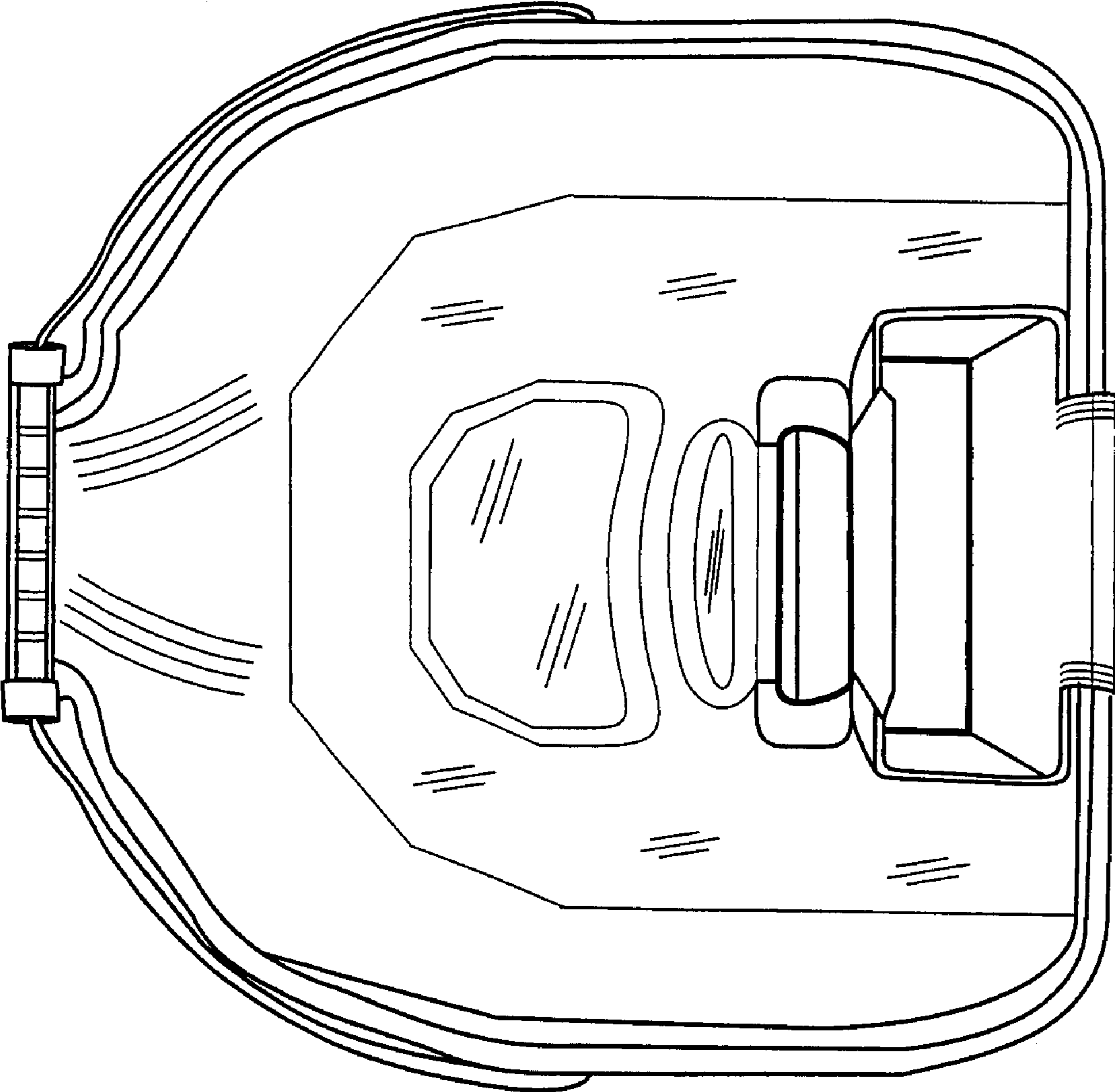


Fig. 8