



US00D527143S

(12) **United States Design Patent**
Fischer

(10) **Patent No.:** **US D527,143 S**

(45) **Date of Patent:** **** Aug. 22, 2006**

(54) **COSMETIC APPLICATOR**

(75) Inventor: **Werner Fischer**, Burk (DE)

(73) Assignee: **Geka Brush GmbH**, Bechhofen (DE)

(**) Term: **14 Years**

(21) Appl. No.: **29/187,333**

(22) Filed: **Jul. 31, 2003**

(30) **Foreign Application Priority Data**

Feb. 15, 2003 (DE) 4 03 01 229

(51) **LOC (8) Cl.** **28-02**

(52) **U.S. Cl.** **D28/7**

(58) **Field of Classification Search** D28/7,
D28/4, 85-90; 132/317, 320, 318; 401/6,
401/125, 126, 128, 18, 196, 201-207, 261-267
See application file for complete search history.

(56) **References Cited**

U.S. PATENT DOCUMENTS

2,201,467	A	*	5/1940	Bloom	401/18
2,264,482	A	*	12/1941	Ridner, Sr. et al.	401/11
2,374,065	A	*	4/1945	Worthington	401/173
2,442,503	A	*	6/1948	Melnikoff	132/320
2,448,033	A	*	8/1948	Kruck	401/11
2,913,748	A	*	11/1959	Felter	401/264

4,844,250	A	*	7/1989	Holoubek et al.	222/107
4,887,924	A	*	12/1989	Green	401/261
4,915,268	A	*	4/1990	Lay et al.	222/498
5,772,347	A	*	6/1998	Gueret	401/263
5,879,095	A	*	3/1999	Gueret	401/172
D423,355	S	*	4/2000	Loeb et al.	D9/447
6,050,274	A	*	4/2000	Gelardi et al.	132/320
6,067,997	A	*	5/2000	Gueret	132/218
6,331,085	B1	*	12/2001	Schrepf et al.	401/128
D508,297	S	*	8/2005	Breidenbach et al.	D28/88

* cited by examiner

Primary Examiner—Lucy Lieberman

(74) *Attorney, Agent, or Firm*—Browdy and Neimark, PLLC

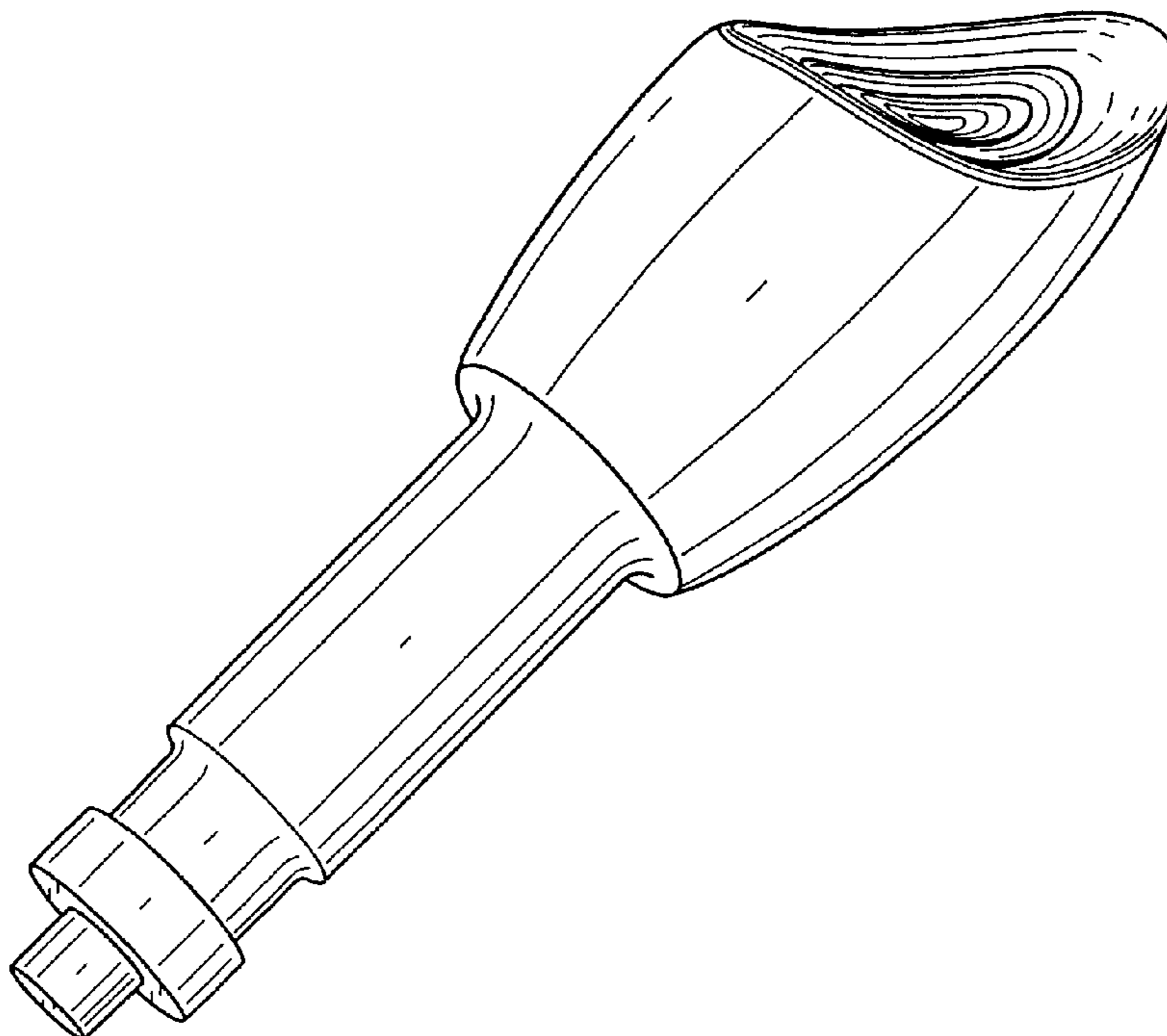
(57) **CLAIM**

The ornamental design for “cosmetic applicator,” as shown and described.

DESCRIPTION

FIG. 1 is a top view,
FIG. 2 is an enlarged fragmentary view showing the front end of the cosmetic applicator,,
FIG. 3 is a top and right side perspective view of the cosmetic applicator,
FIG. 4 is a view of the underside; and,
FIG. 5 is a side view.

1 Claim, 5 Drawing Sheets



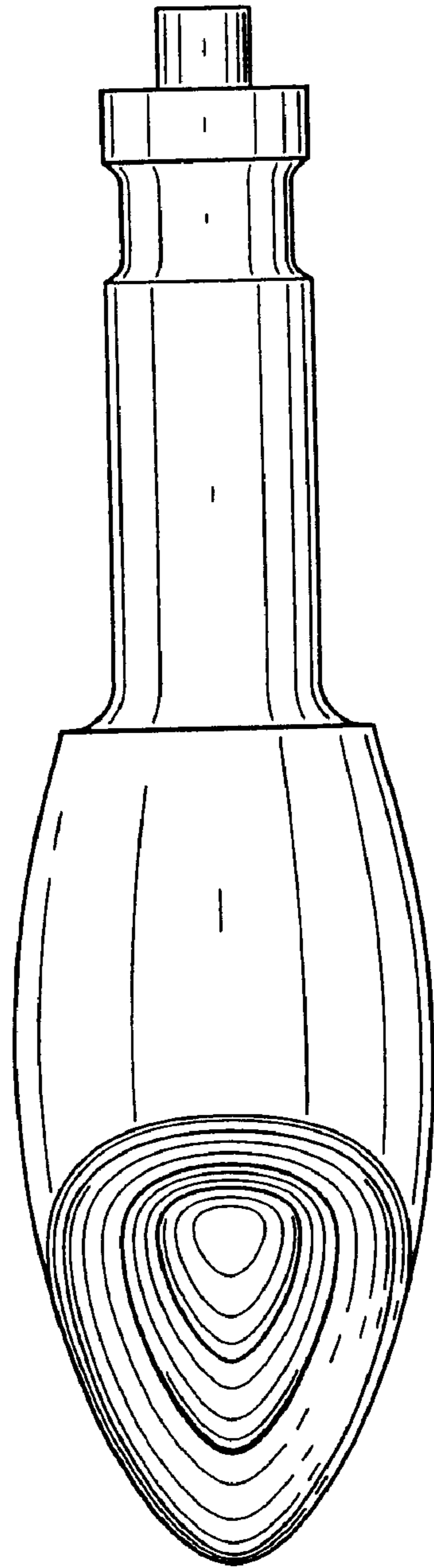


FIG. 1

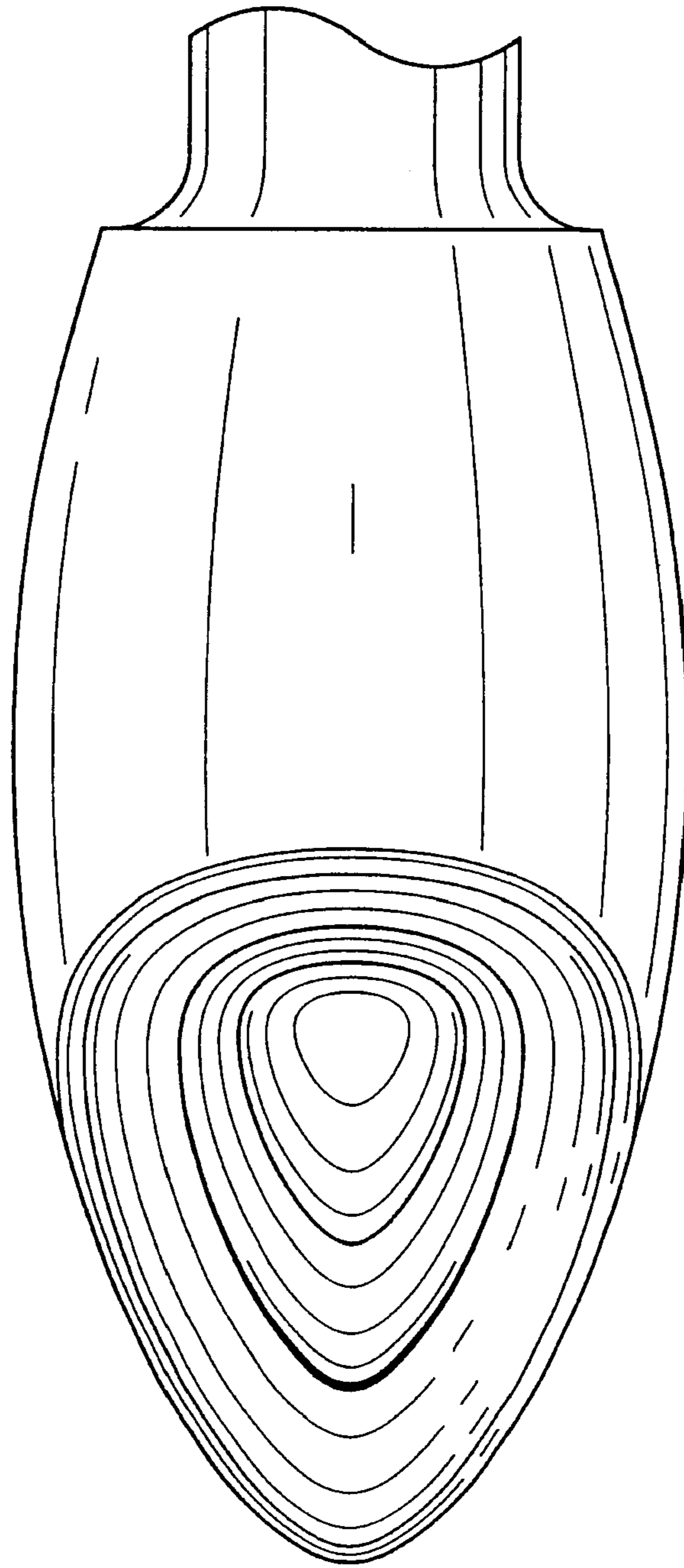


FIG. 2

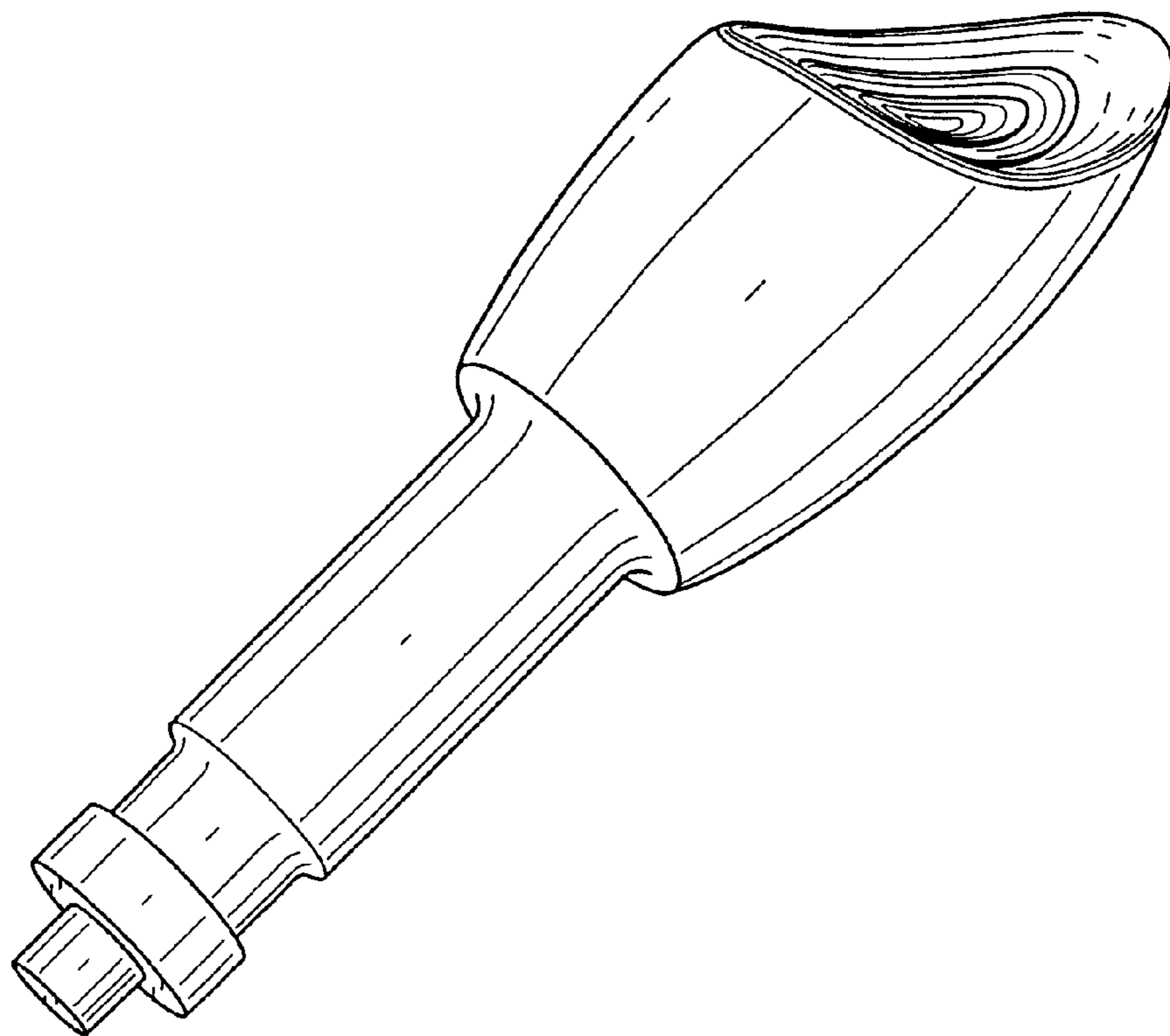


FIG. 3

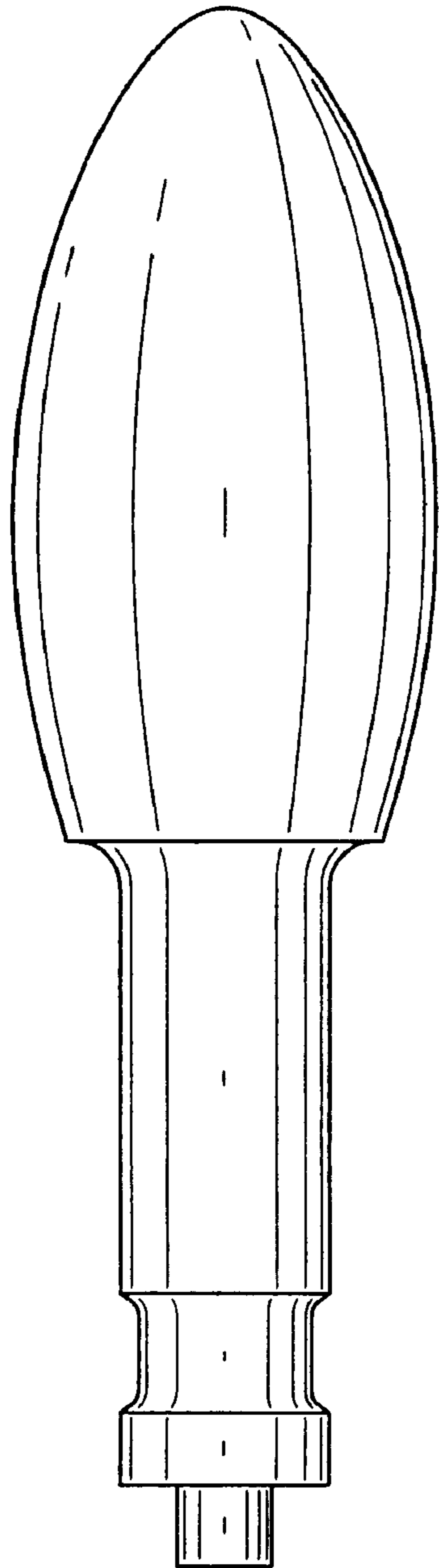


FIG. 4

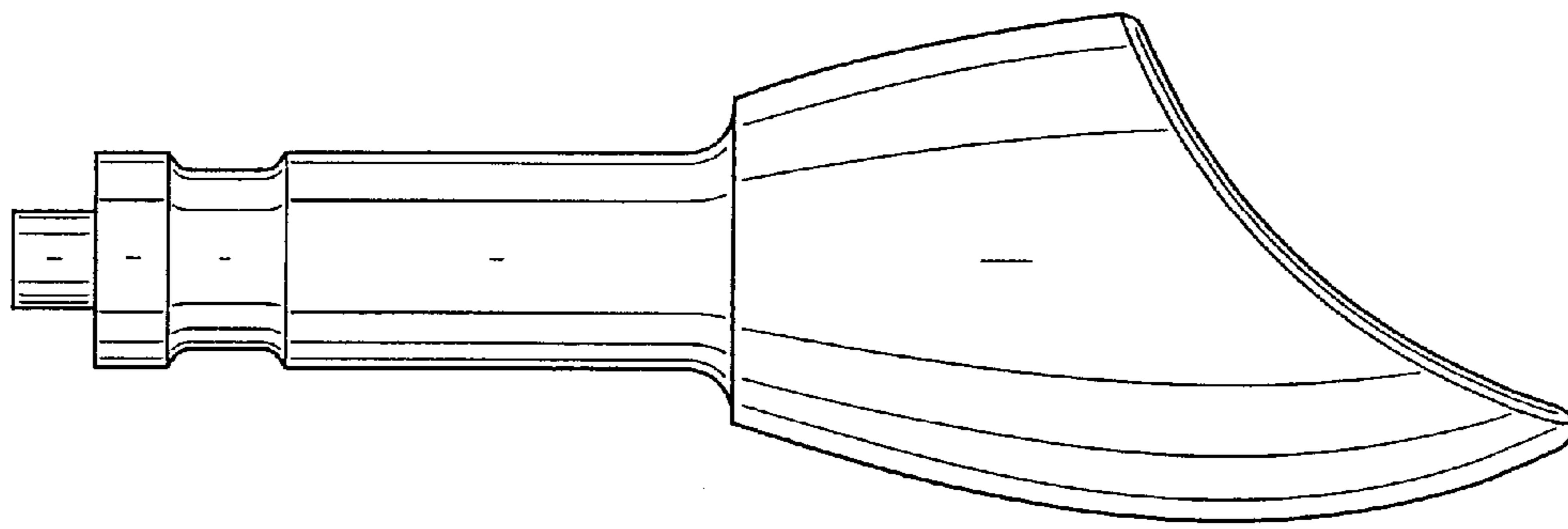


FIG. 5