

US00D527134S

(12) **United States Design Patent**
Bagen

(10) **Patent No.:** **US D527,134 S**

(45) **Date of Patent:** **** Aug. 22, 2006**

(54) **LUMINAIRE FOR ROAD LIGHTING**

(75) **Inventor:** **Ruud Gerardus A. M. Bagen,**
Eindhoven (NL)

(73) **Assignee:** **Koninklijke Philips Electronics, N.V.,**
Eindhoven (NL)

(**) **Term:** **14 Years**

(21) **Appl. No.:** **29/197,870**

(22) **Filed:** **Jan. 20, 2004**

(30) **Foreign Application Priority Data**

Aug. 7, 2003 (EM) 62229

(51) **LOC (8) Cl.** **26-05**

(52) **U.S. Cl.** **D26/71; D26/67; D26/92**

(58) **Field of Classification Search** D26/67,
D26/68, 71, 72, 80-82, 85-87, 92, 128-132,
D26/145-147, 138, 155, 156; 362/147, 153,
362/153.1, 370, 431, 432, 404-408; 248/219.2
See application file for complete search history.

(56) **References Cited**

U.S. PATENT DOCUMENTS

D83,485 S * 2/1931 Benjamin D26/24

1,970,829 A * 8/1934 Wise 362/282
D204,302 S * 4/1966 Pauli D26/24
D209,081 S * 10/1967 Netland D26/71
D219,546 S * 12/1970 Kaiser et al. D26/68
D324,432 S * 3/1992 Frost D26/67
D329,104 S * 9/1992 Dieperink D26/87
5,386,354 A * 1/1995 Osteen 362/258

* cited by examiner

Primary Examiner—Clare E Hefflin

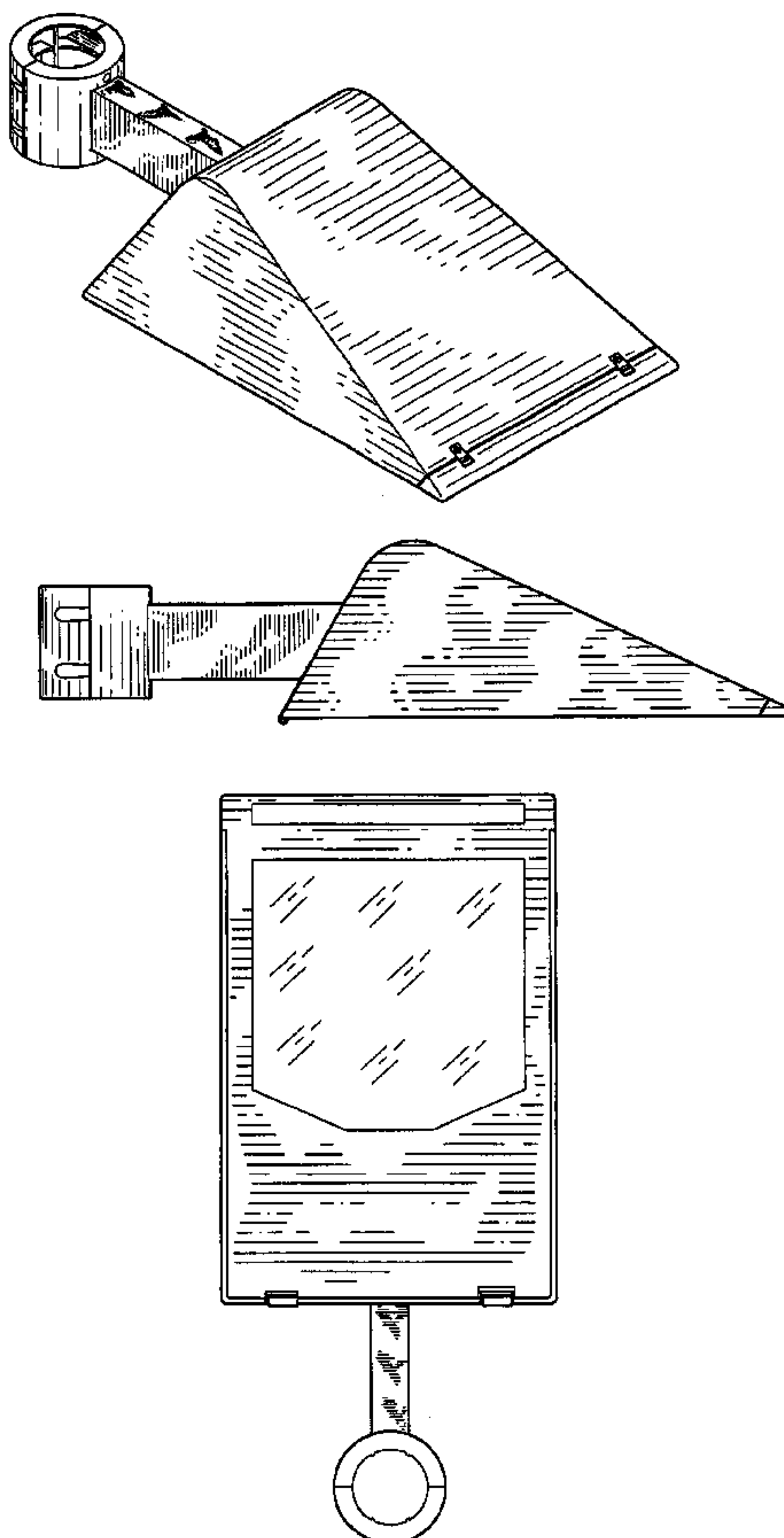
(57) **CLAIM**

The ornamental design for a luminaire for road lighting, as shown.

DESCRIPTION

FIG. 1 is a perspective view showing my design;
FIG. 2 is a front elevational view thereof;
FIG. 3 is a rear elevational view thereof;
FIG. 4 is a right side elevational view thereof;
FIG. 5 is a left side elevational view thereof;
FIG. 6 is a top plan view thereof; and,
FIG. 7 is a bottom plan view thereof.

1 Claim, 5 Drawing Sheets



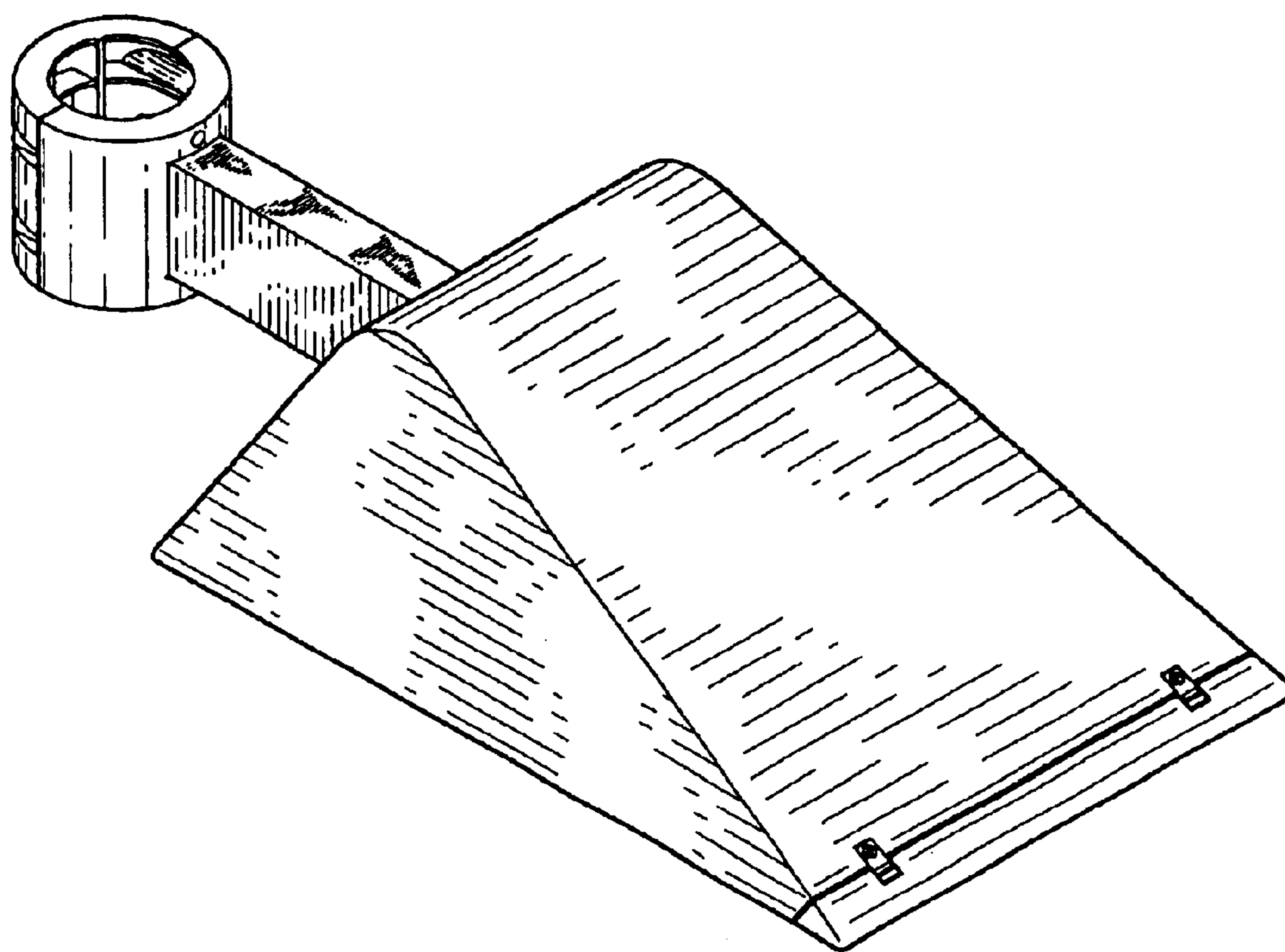


FIG. 1

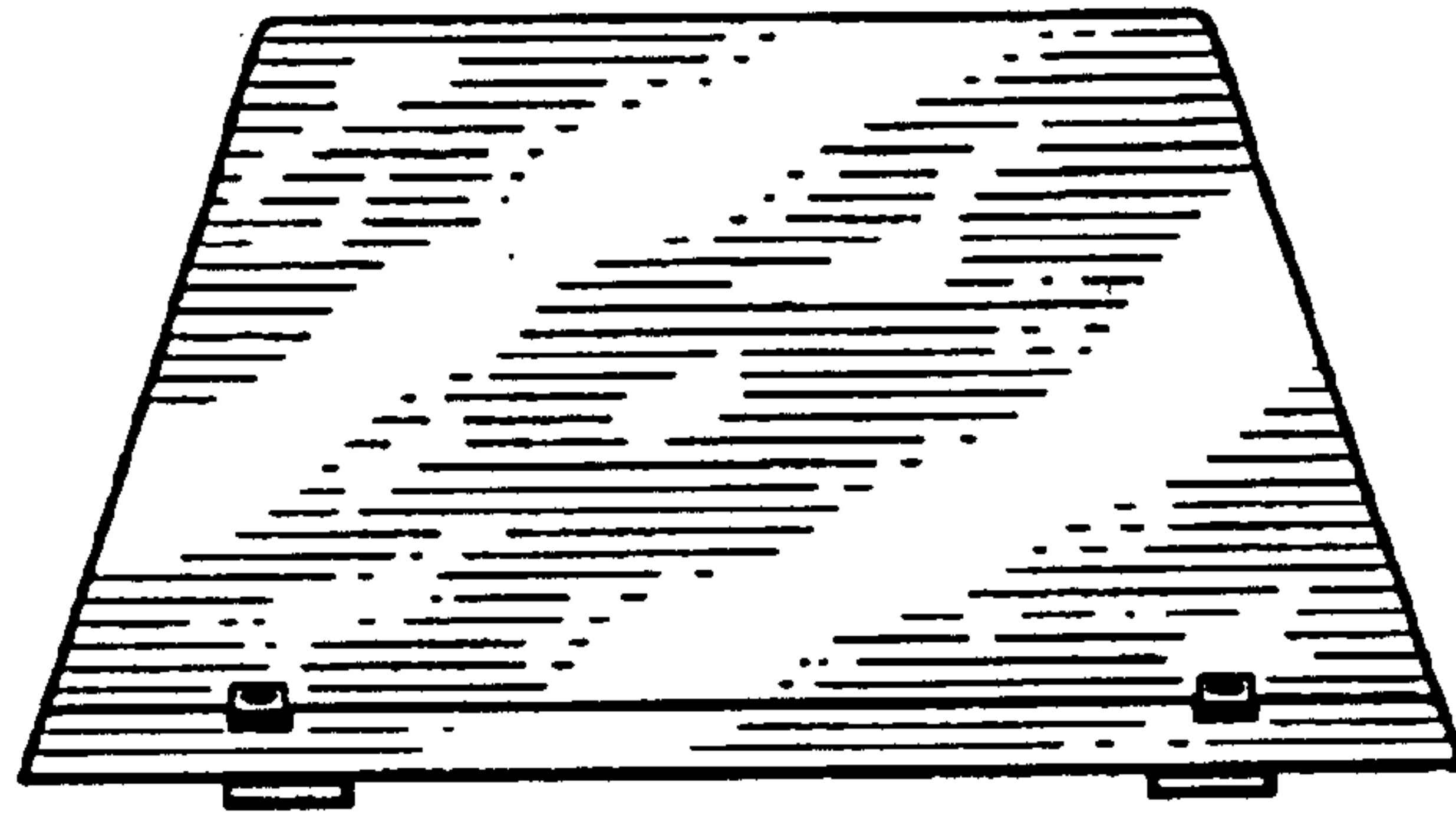


FIG. 2

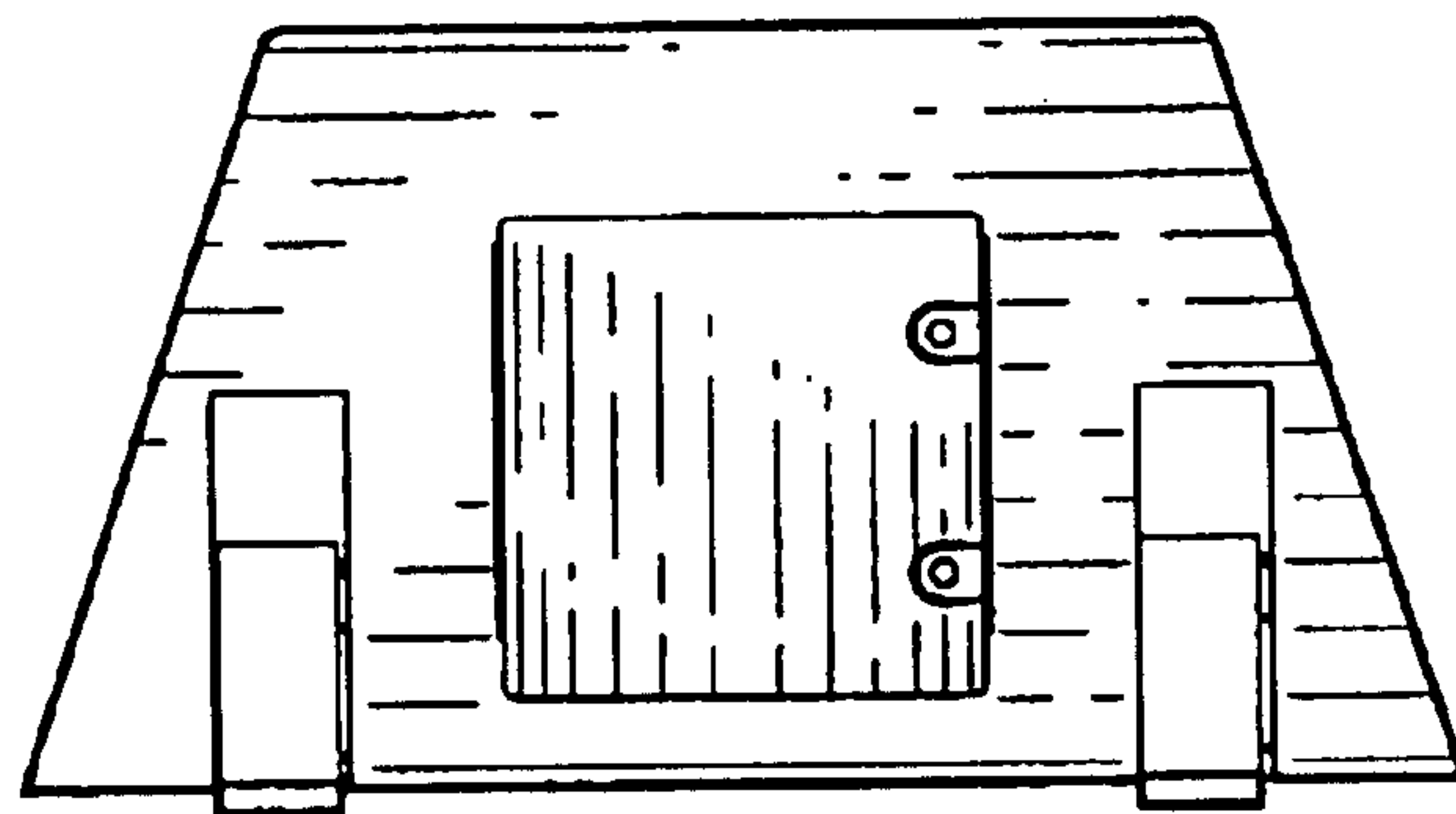


FIG. 3

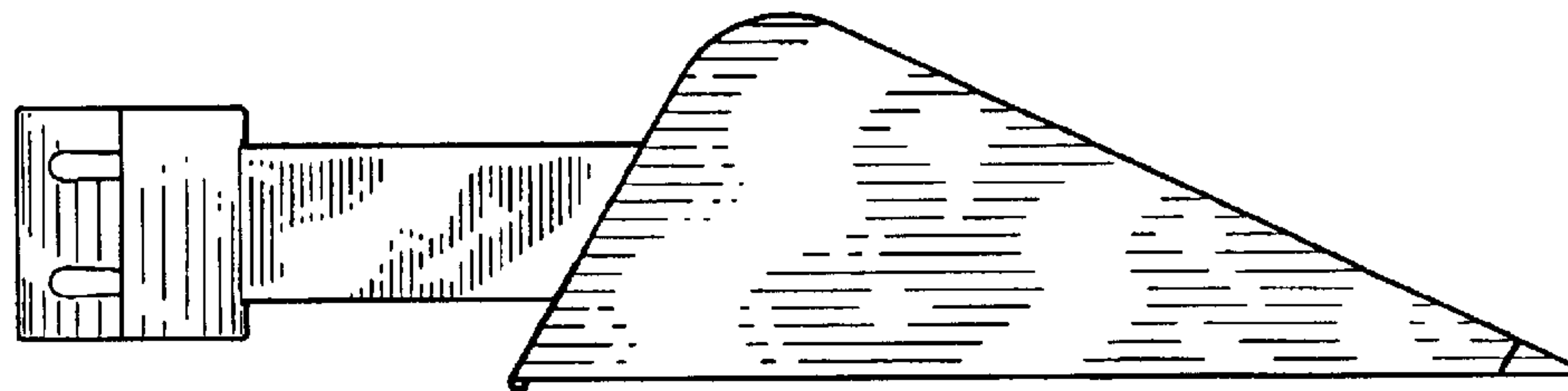


FIG. 4

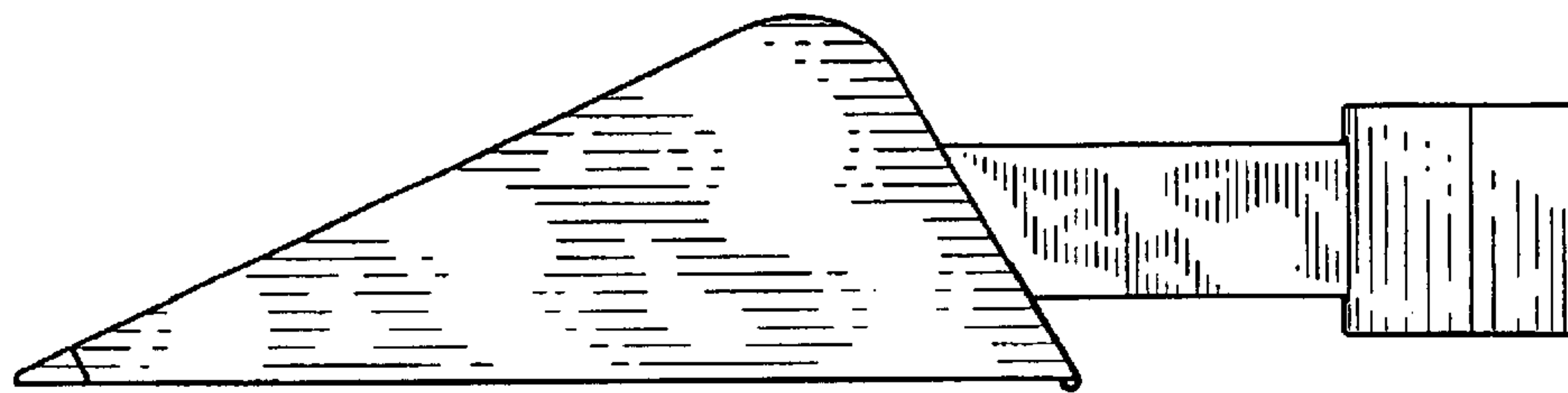


FIG. 5

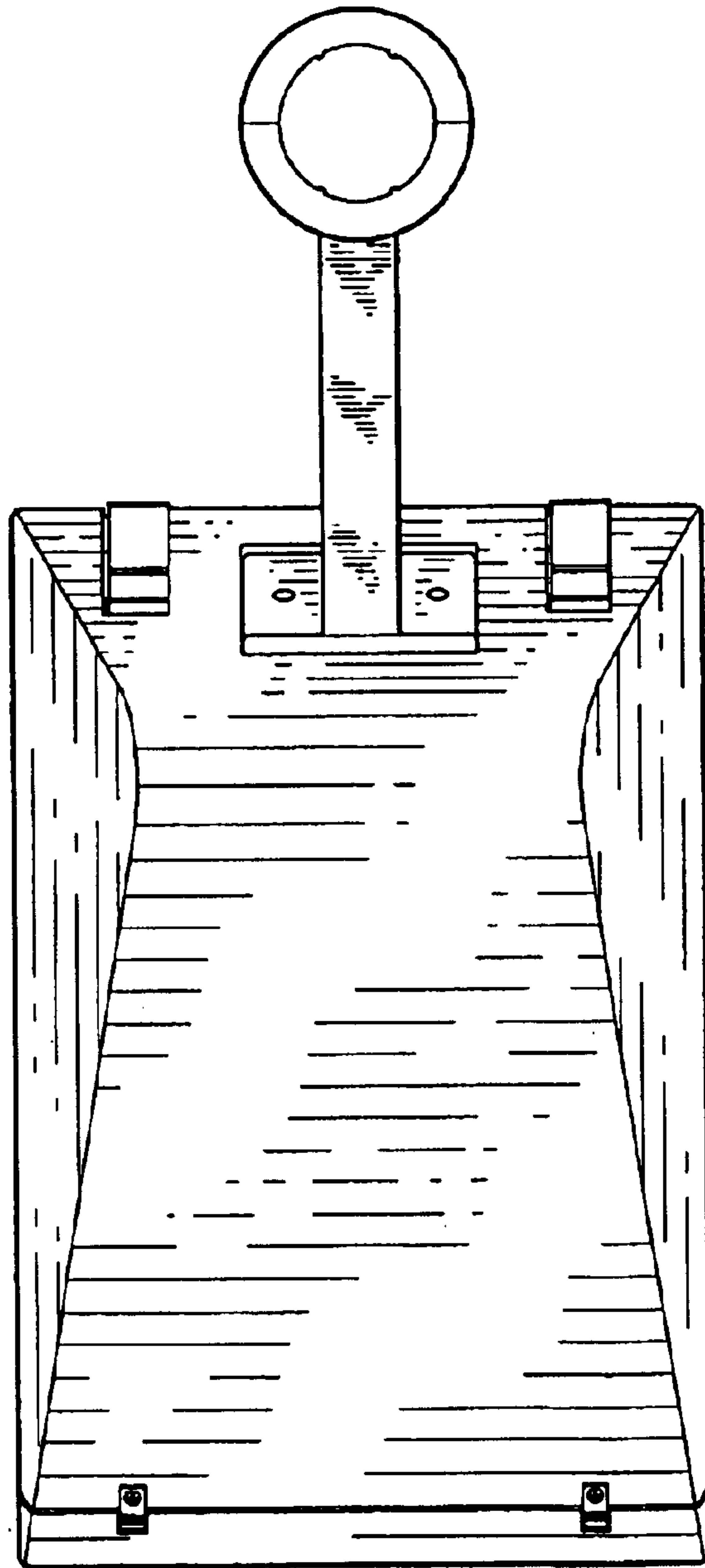


FIG. 6

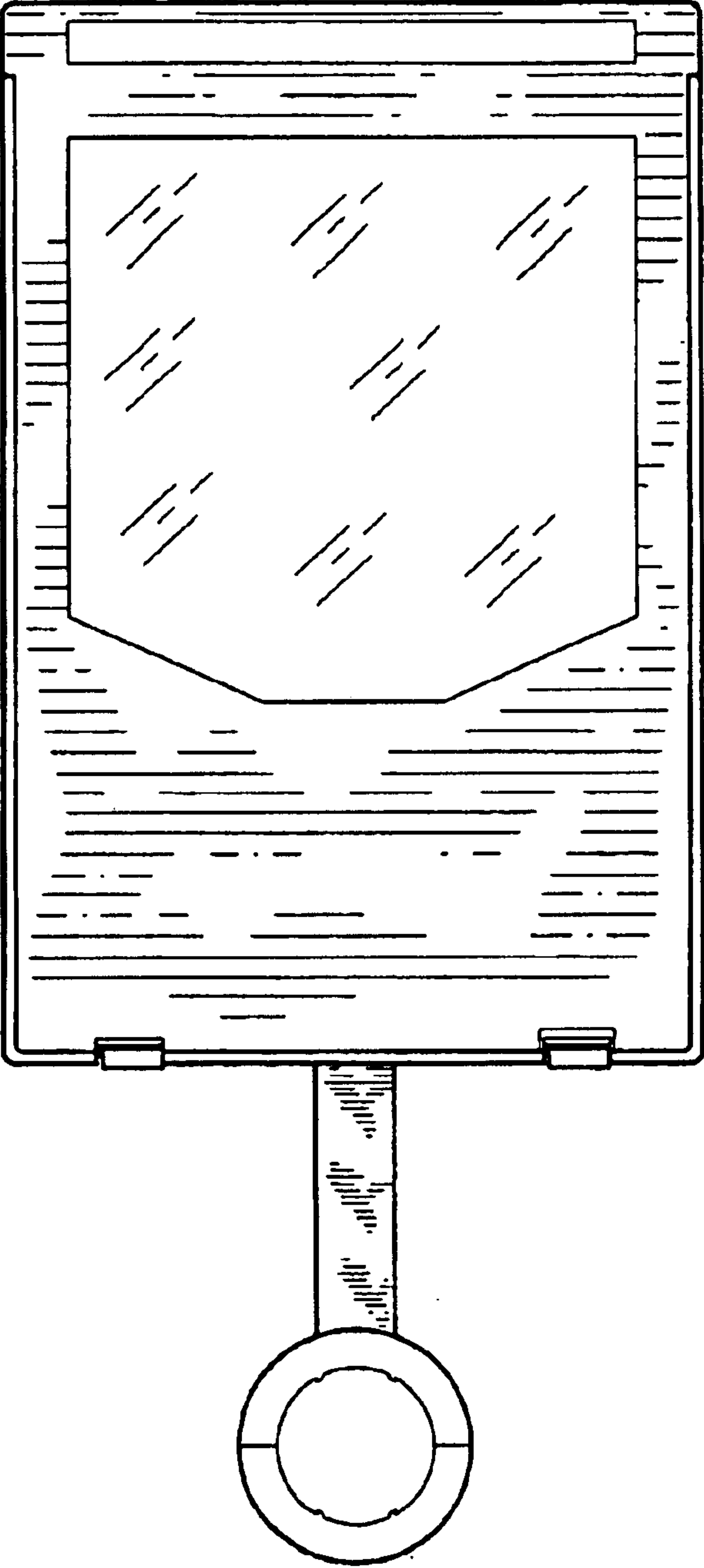


FIG. 7