

US00D527131S

(12) **United States Design Patent**
McCarthy, III

(10) **Patent No.:** **US D527,131 S**

(45) **Date of Patent:** **** Aug. 22, 2006**

(54) **FLIP-UP LIGHTING FIXTURE**

(75) Inventor: **Charles A. McCarthy, III**, Gurnee, IL (US)

(73) Assignee: **Kenall Manufacturing Company**, Gurnee, IL (US)

(**) Term: **14 Years**

(21) Appl. No.: **29/205,295**

(22) Filed: **May 12, 2004**

(51) **LOC (8) Cl.** **26-05**

(52) **U.S. Cl.** **D26/63**

(58) **Field of Classification Search** D26/60-65,
D26/75-78; 362/269, 277, 278, 282, 285,
362/287, 418, 427, 130, 133

See application file for complete search history.

(56) **References Cited**

U.S. PATENT DOCUMENTS

2,998,508	A	*	8/1961	Bobrick	362/239
4,149,222	A		4/1979	Linde		
4,204,274	A		5/1980	Luderitz		
D278,555	S	*	4/1985	Cummings	D26/60
D290,884	S	*	7/1987	Sano et al.	D26/65
4,816,969	A		3/1989	Miller		
5,564,815	A		10/1996	Littman et al.		
D379,546	S		5/1997	Littman		
5,735,593	A	*	4/1998	Gallant et al.	362/287

OTHER PUBLICATIONS

VistaForm 8500 Series Overbed Light Specification sheet, undated.

Vista Lighting, updated, Carelume Fluorescent Patient Room Bedlight. <www.vistalighting.com>.

360 Lighting, LLC, undated, MRWA 3/4T Medical Series Brochure. <www.360lighting.com>.

Hill-Rom Services, Inc., undated, Patient Lights and Bed Locator Brochure. <www.hill-rom.com>.

* cited by examiner

Primary Examiner—Clare E Heflin

(74) *Attorney, Agent, or Firm*—Jansson, Shupe, Munger & Antaramian, Ltd.

(57) **CLAIM**

The ornamental design for a flip-up lighting fixture, as shown and described.

DESCRIPTION

FIG. 1 is a perspective view in a closed position;

FIG. 2 is an end view;

FIG. 3 is a top view;

FIG. 4 is a front view;

FIG. 5 is a bottom view;

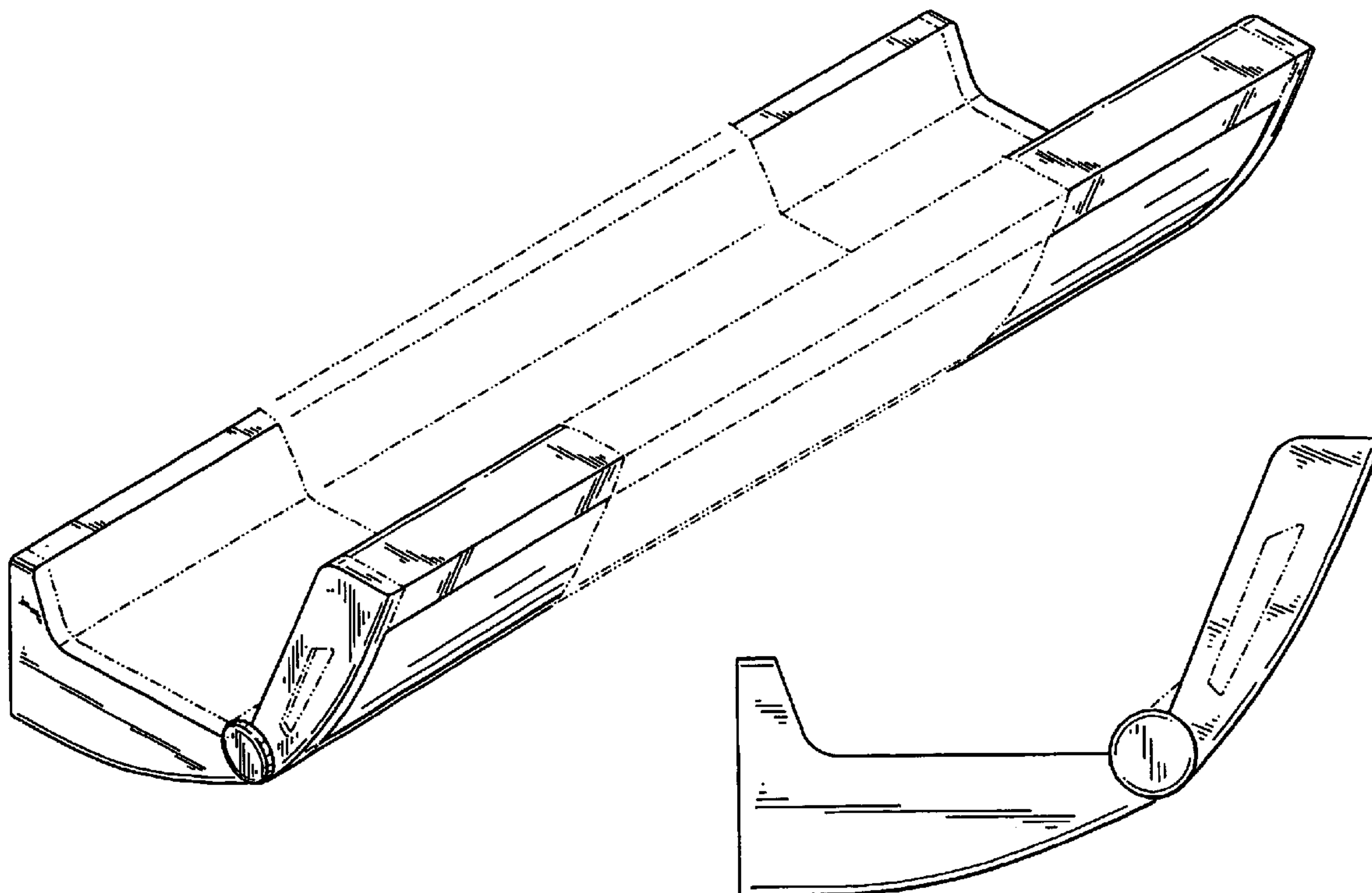
FIG. 6 is a rear view;

FIG. 7 is a perspective view in an open position; and,

FIG. 8 is an end view in an open position.

The broken lines shown on the drawings are for illustrative purposes only and form no part of the claimed design.

1 Claim, 4 Drawing Sheets



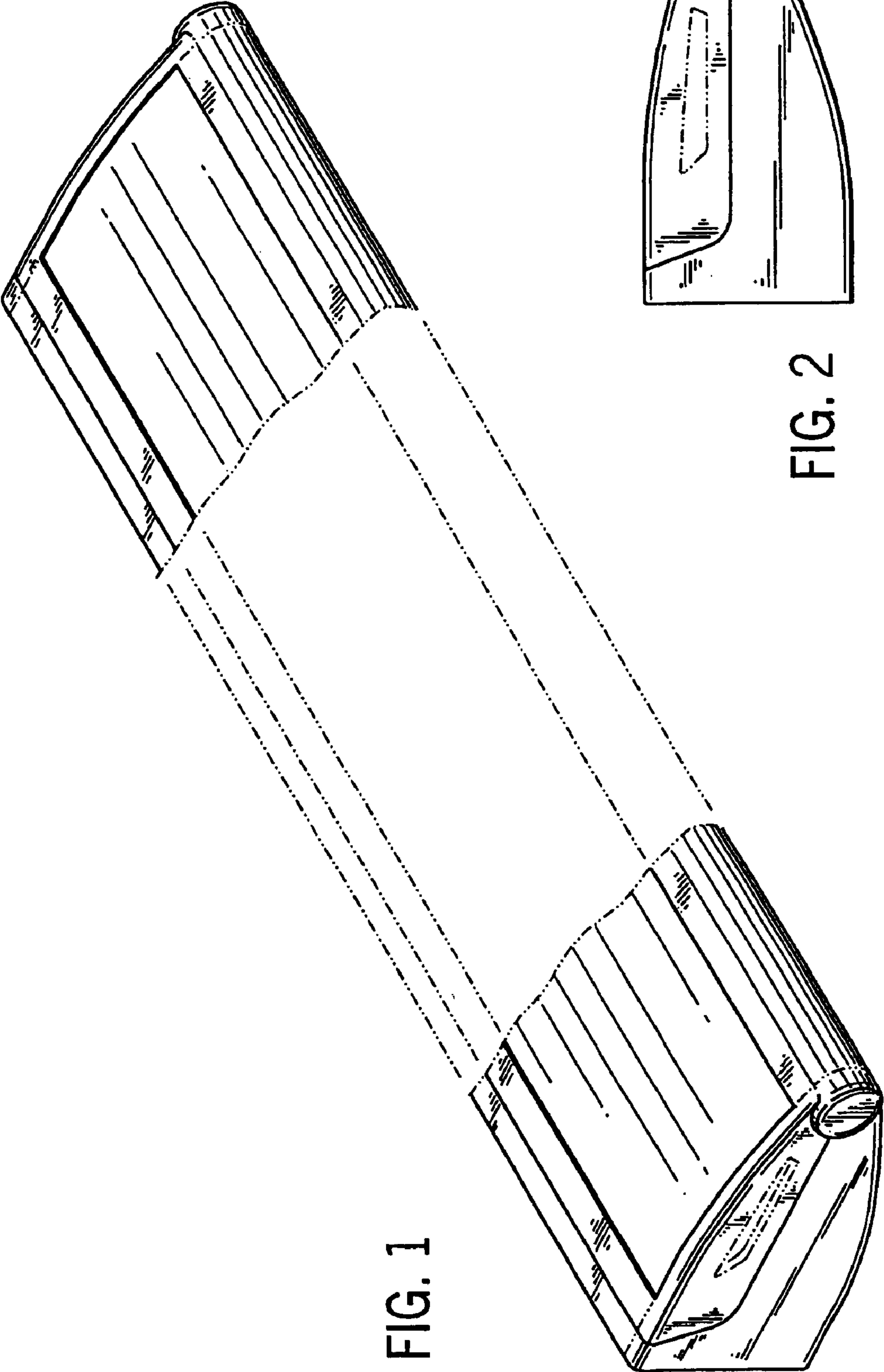


FIG. 1

FIG. 2

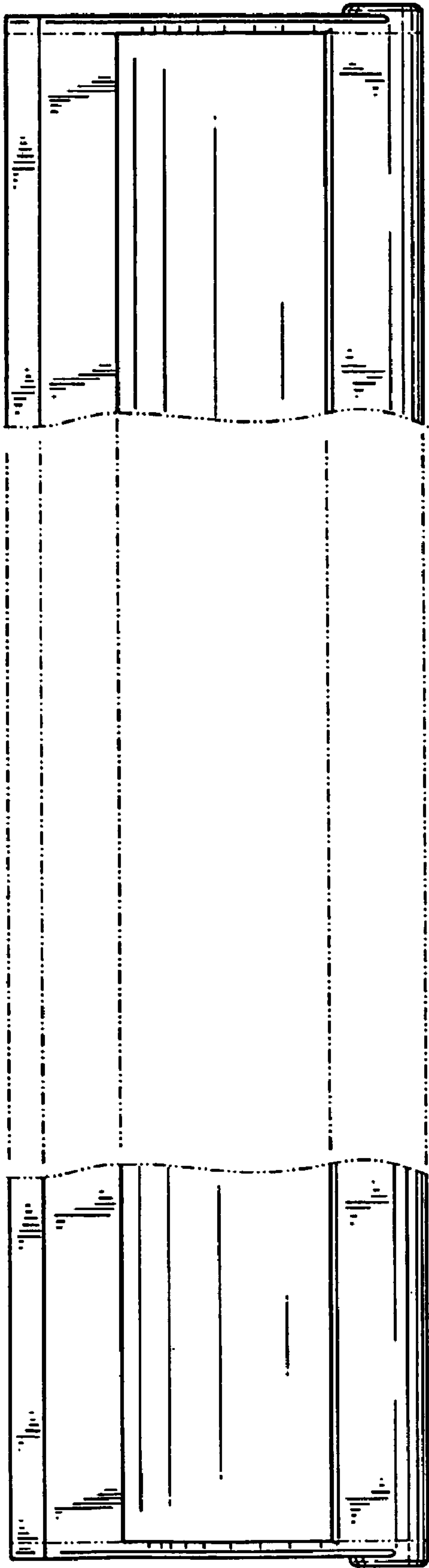


FIG. 3

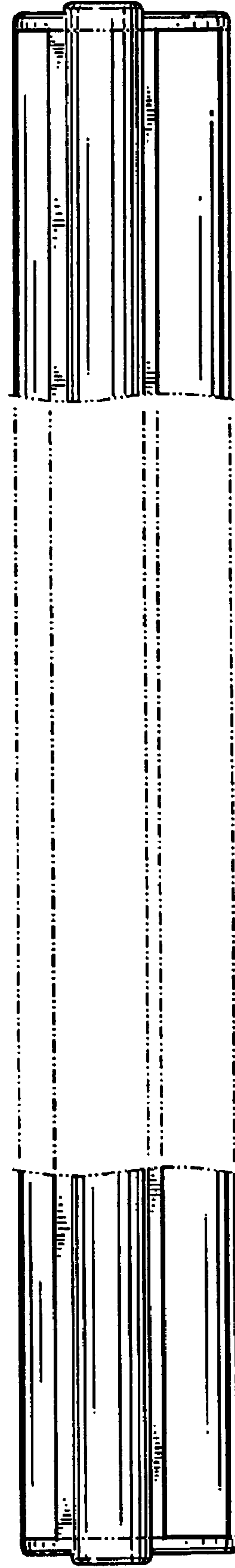


FIG. 4

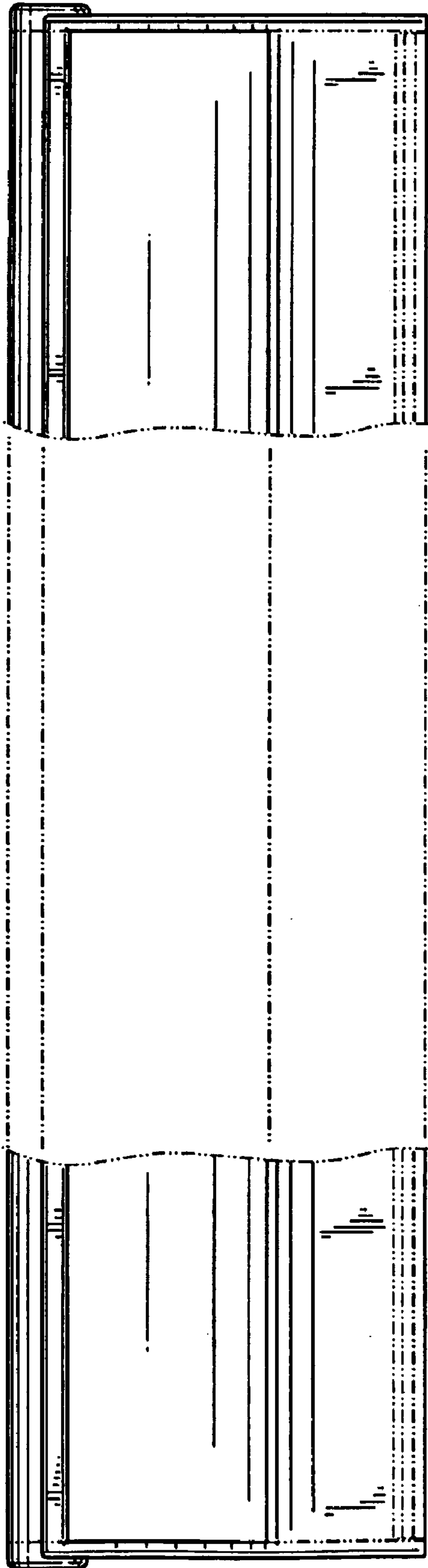


FIG. 5

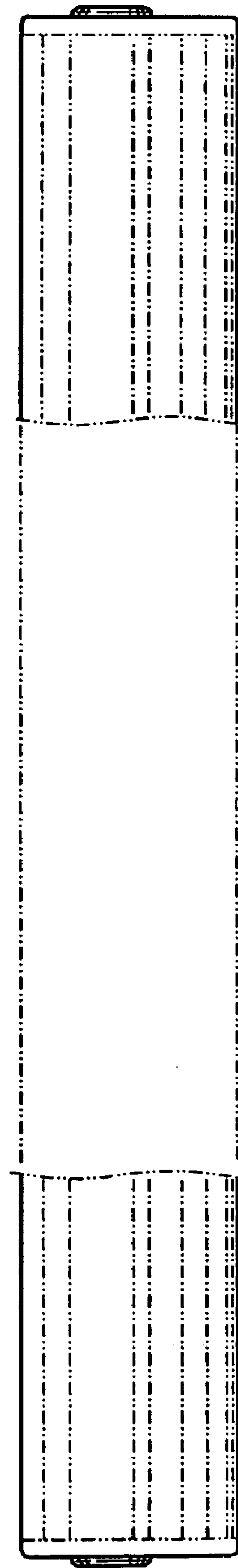


FIG. 6

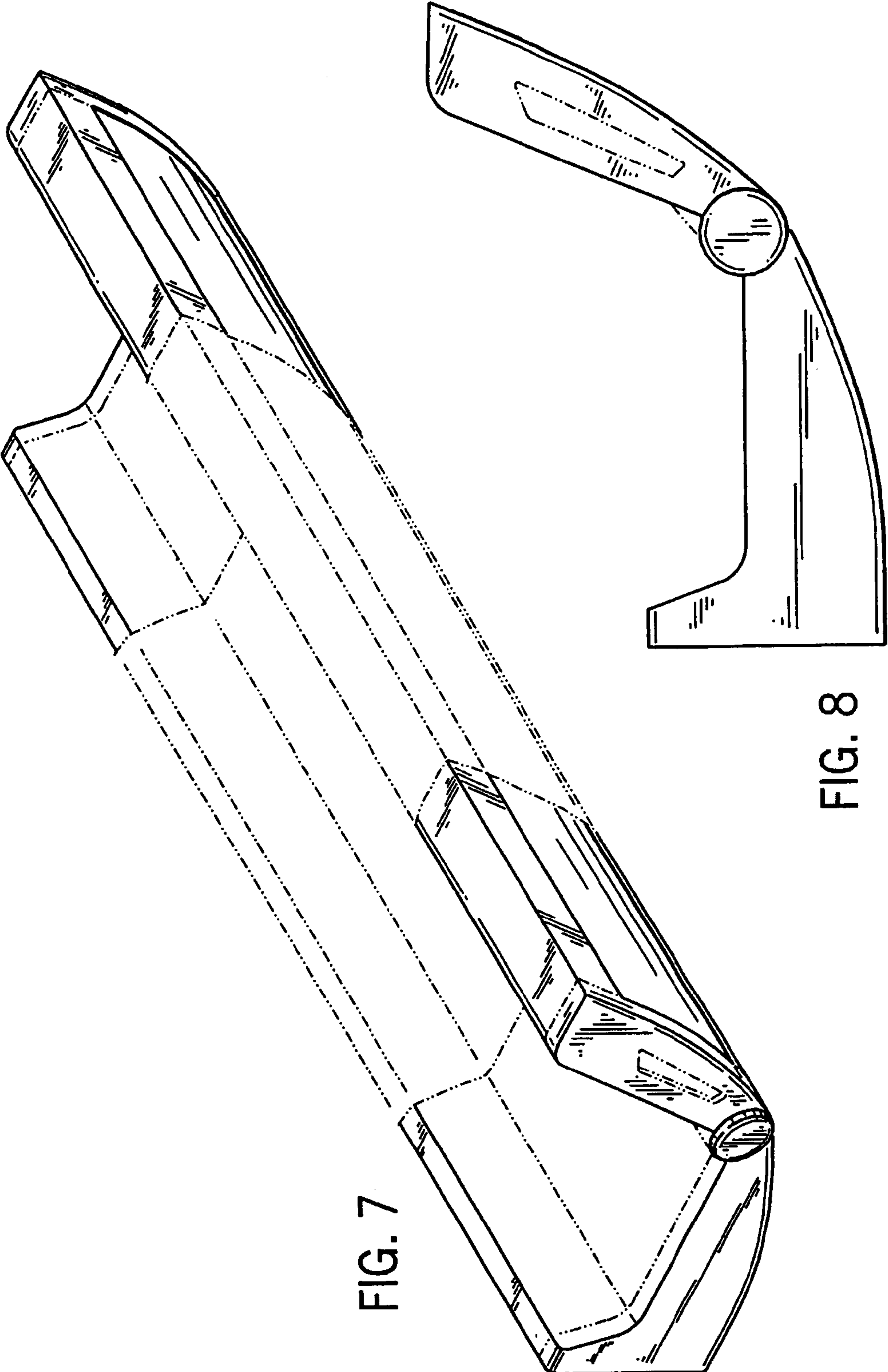


FIG. 7

FIG. 8