



US00D527130S

(12) **United States Design Patent**
Garrity et al.

(10) **Patent No.:** **US D527,130 S**

(45) **Date of Patent:** **** Aug. 22, 2006**

(54) **FLASHLIGHT**

(75) Inventors: **Paul G. Garrity**, Clinton, CT (US);
Kevin S. Garrity, Madison, CT (US)

(73) Assignee: **Garrity Industries, Inc.**, Madison, CT (US)

(**) Term: **14 Years**

(21) Appl. No.: **29/234,525**

(22) Filed: **Jul. 20, 2005**

(51) **LOC (8) Cl.** **26-02**

(52) **U.S. Cl.** **D26/45**

(58) **Field of Classification Search** D26/37-50;
362/157, 158, 171-174, 183-208
See application file for complete search history.

(56) **References Cited**

U.S. PATENT DOCUMENTS

- D226,908 S * 5/1973 Jadlock D22/117
- D227,298 S * 6/1973 Bacevius D10/66
- D234,803 S * 4/1975 Bacevius D26/37

- D358,224 S * 5/1995 Burns D26/46
- D376,859 S 12/1996 Garrity D26/37
- D421,812 S * 3/2000 Neyer et al. D26/45

* cited by examiner

Primary Examiner—Marcus A. Jackson

(74) *Attorney, Agent, or Firm*—Fitzpatrick, Cella, Harper & Scinto

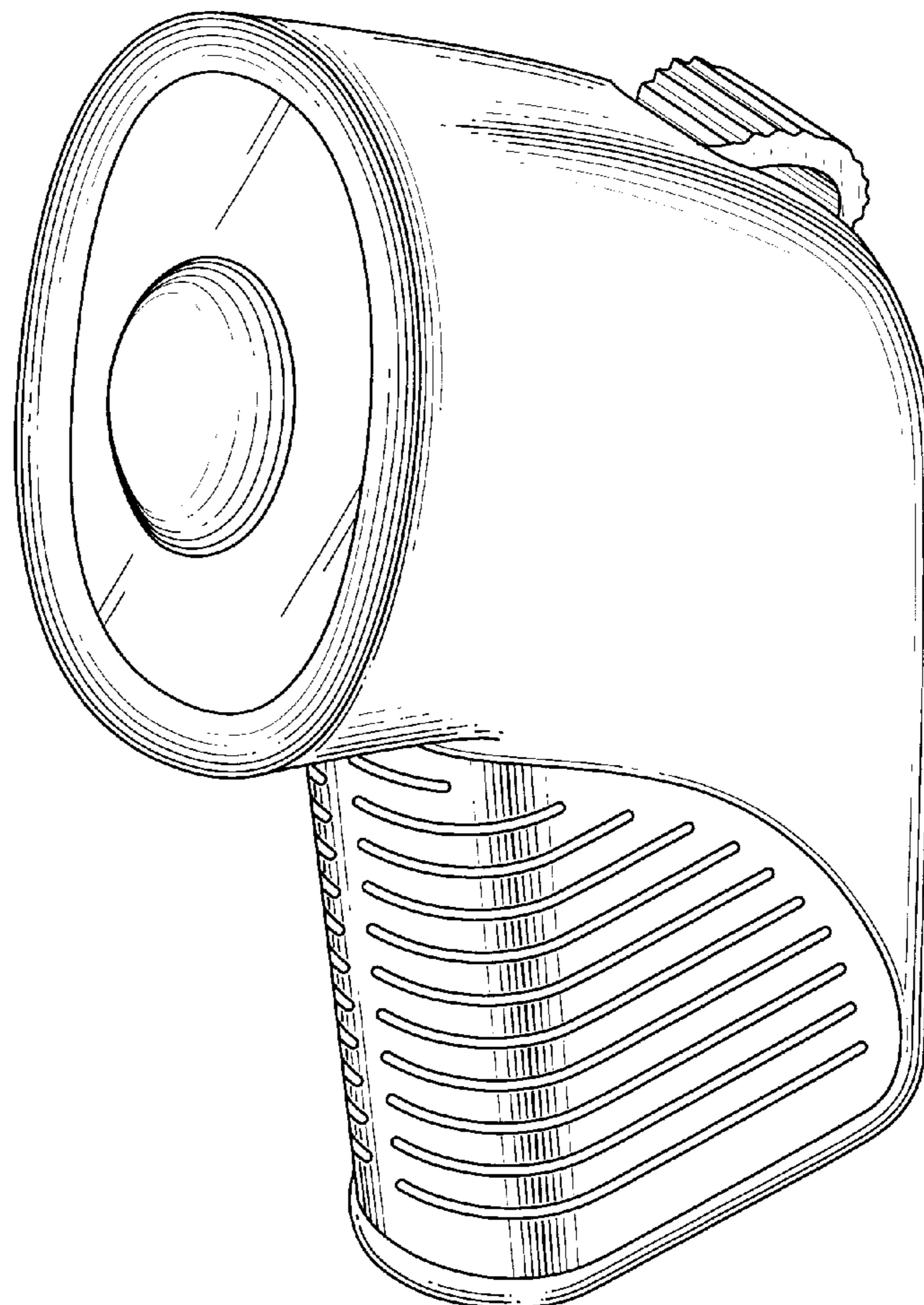
(57) **CLAIM**

The ornamental design for a flashlight, as shown and described.

DESCRIPTION

FIG. 1 is a perspective view as viewed from a front direction thereof of a flashlight showing our new design; FIG. 2 is a front plan view thereof; FIG. 3 is a right side view thereof; FIG. 4 is a left side view thereof; FIG. 5 is a rear view thereof; FIG. 6 is a bottom view thereof; and, FIG. 7 is a top view thereof.

1 Claim, 4 Drawing Sheets



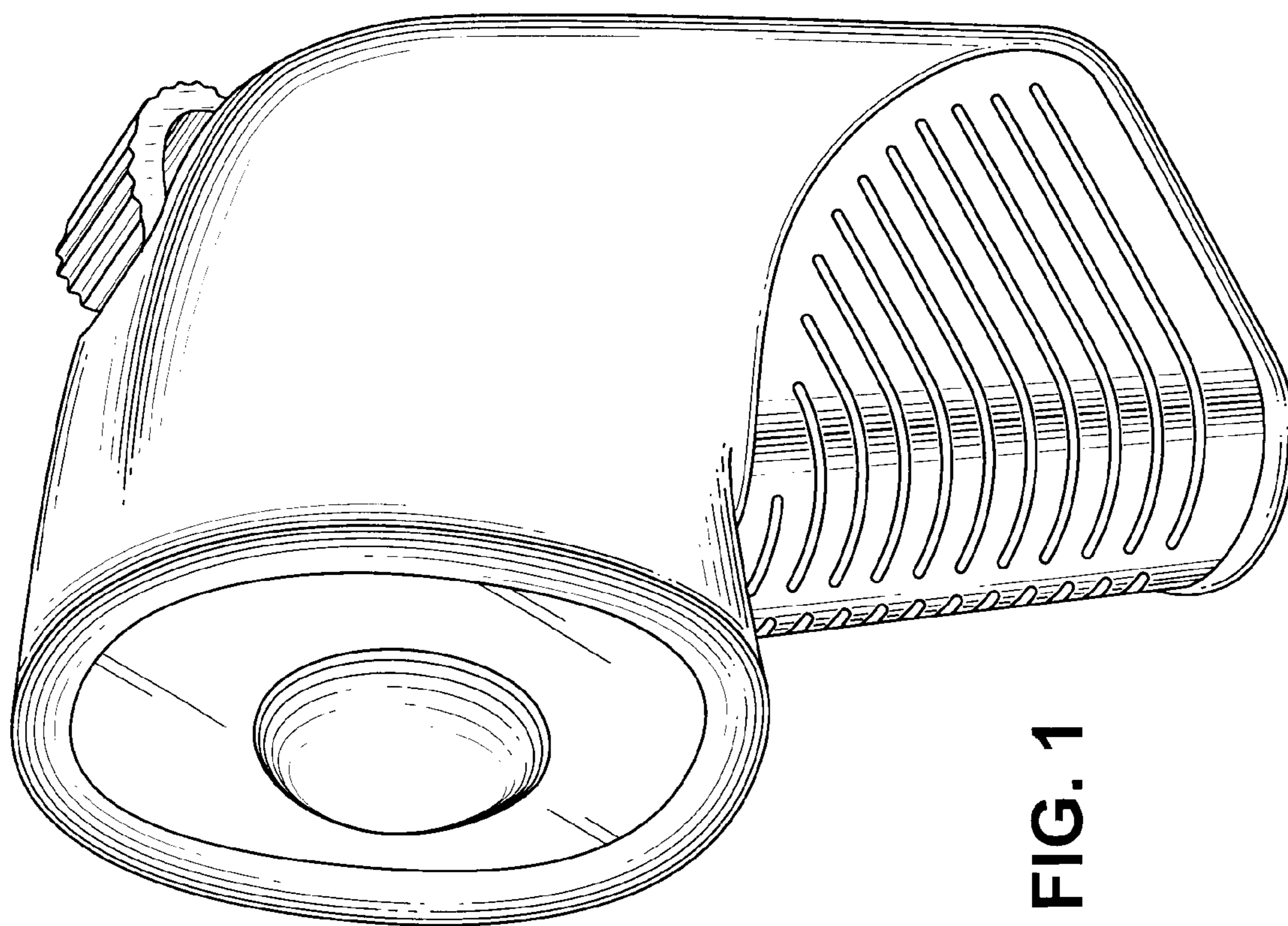


FIG. 1

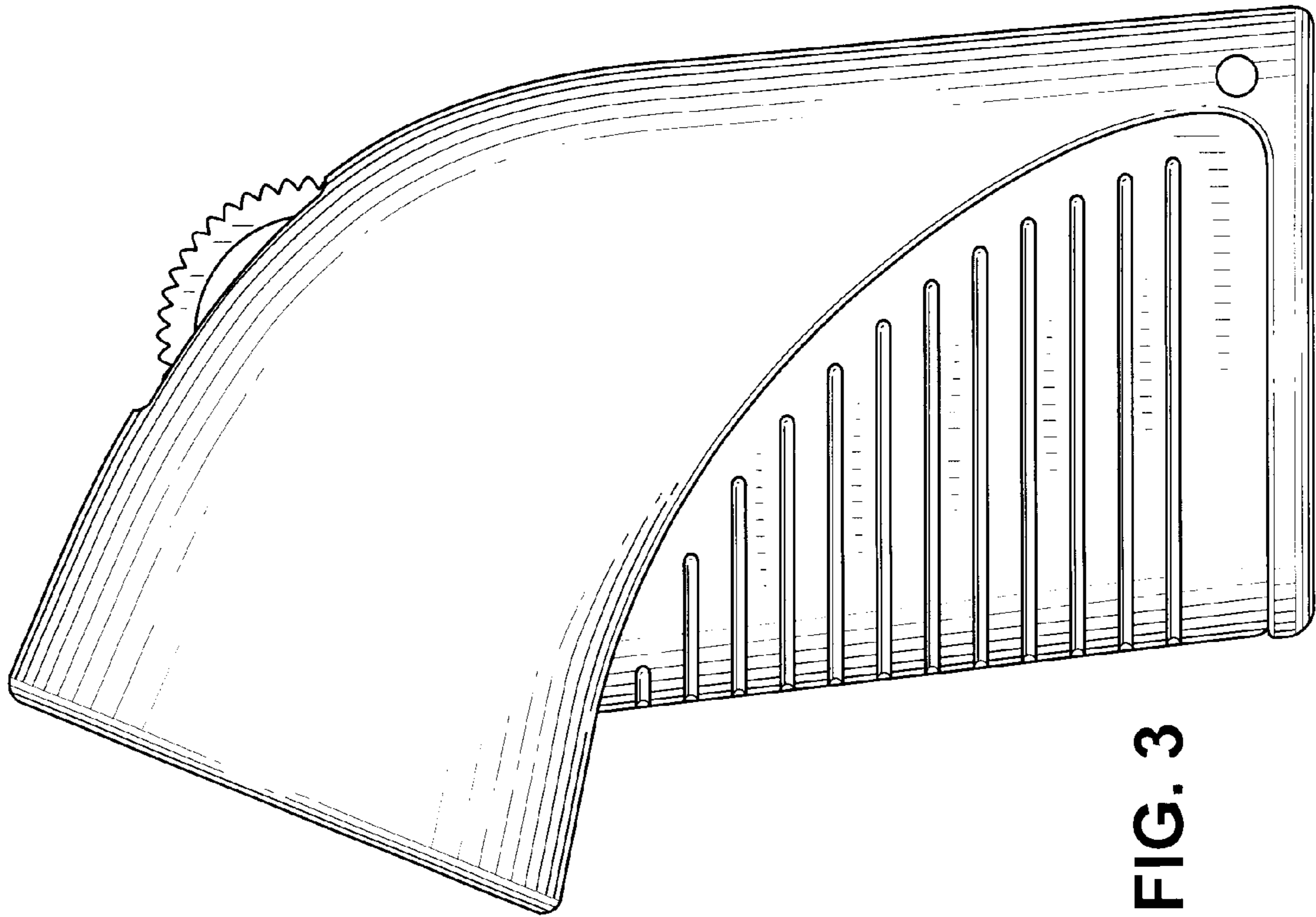


FIG. 3

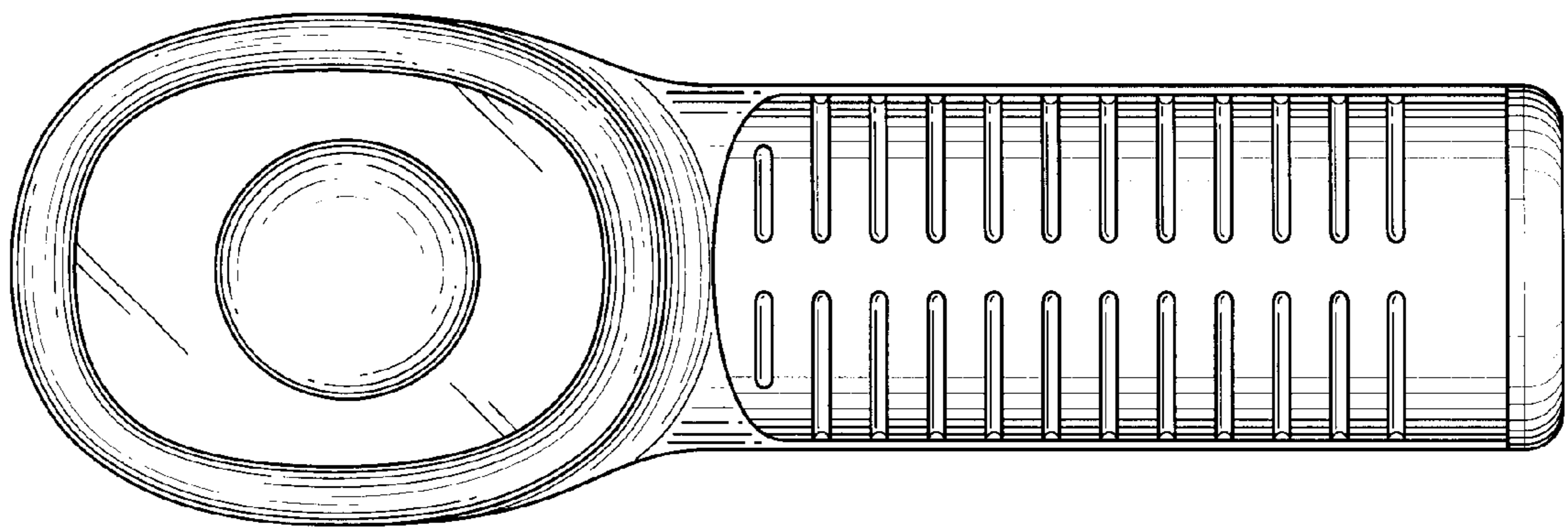


FIG. 2

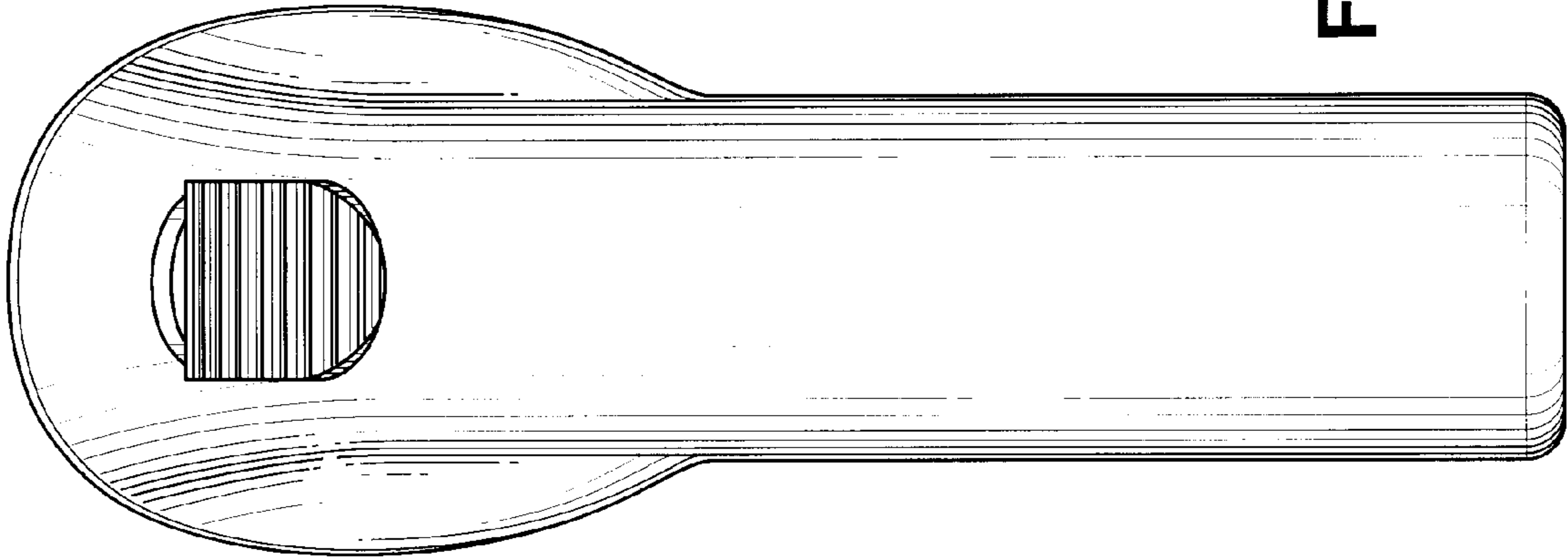


FIG. 5

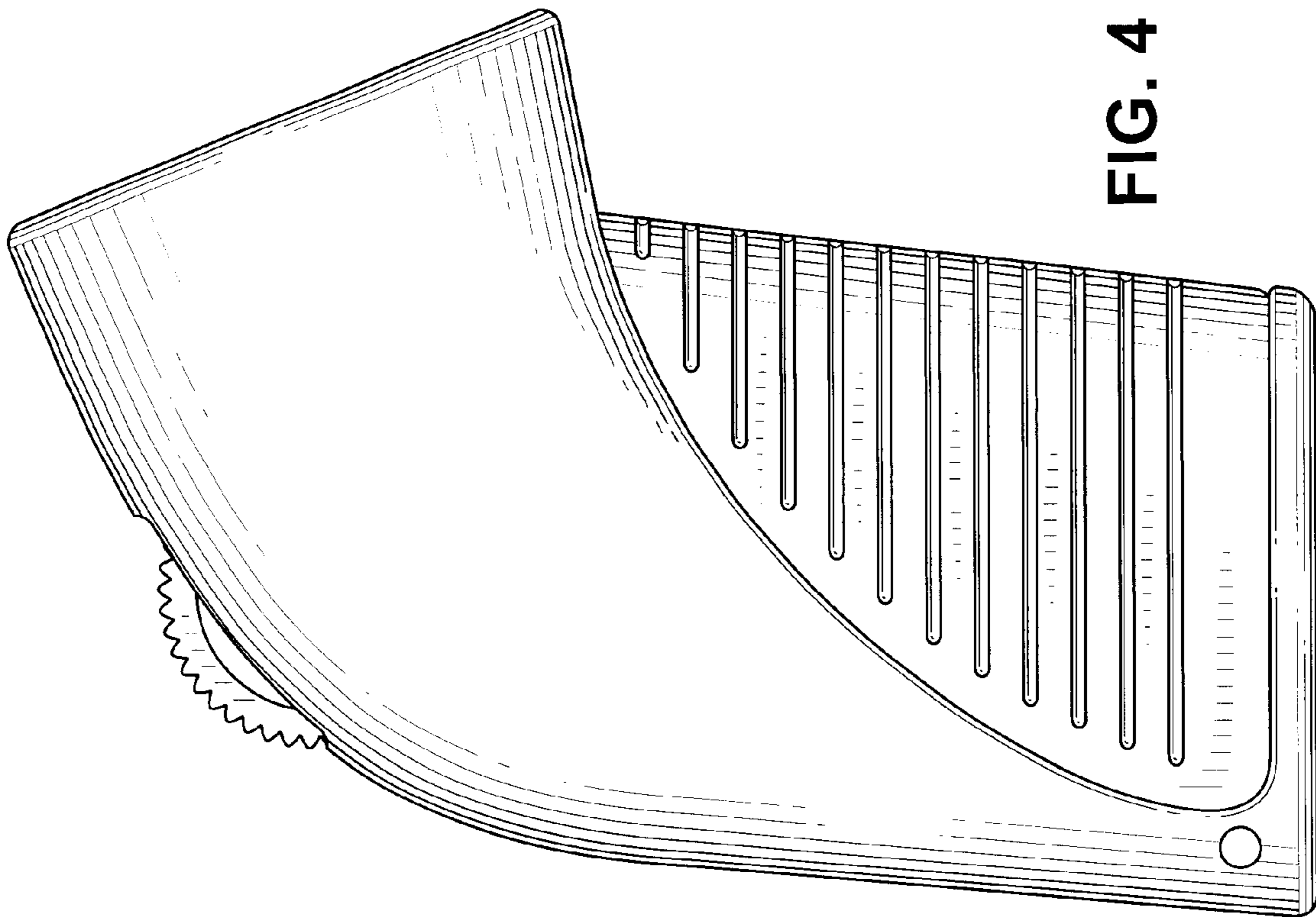


FIG. 4

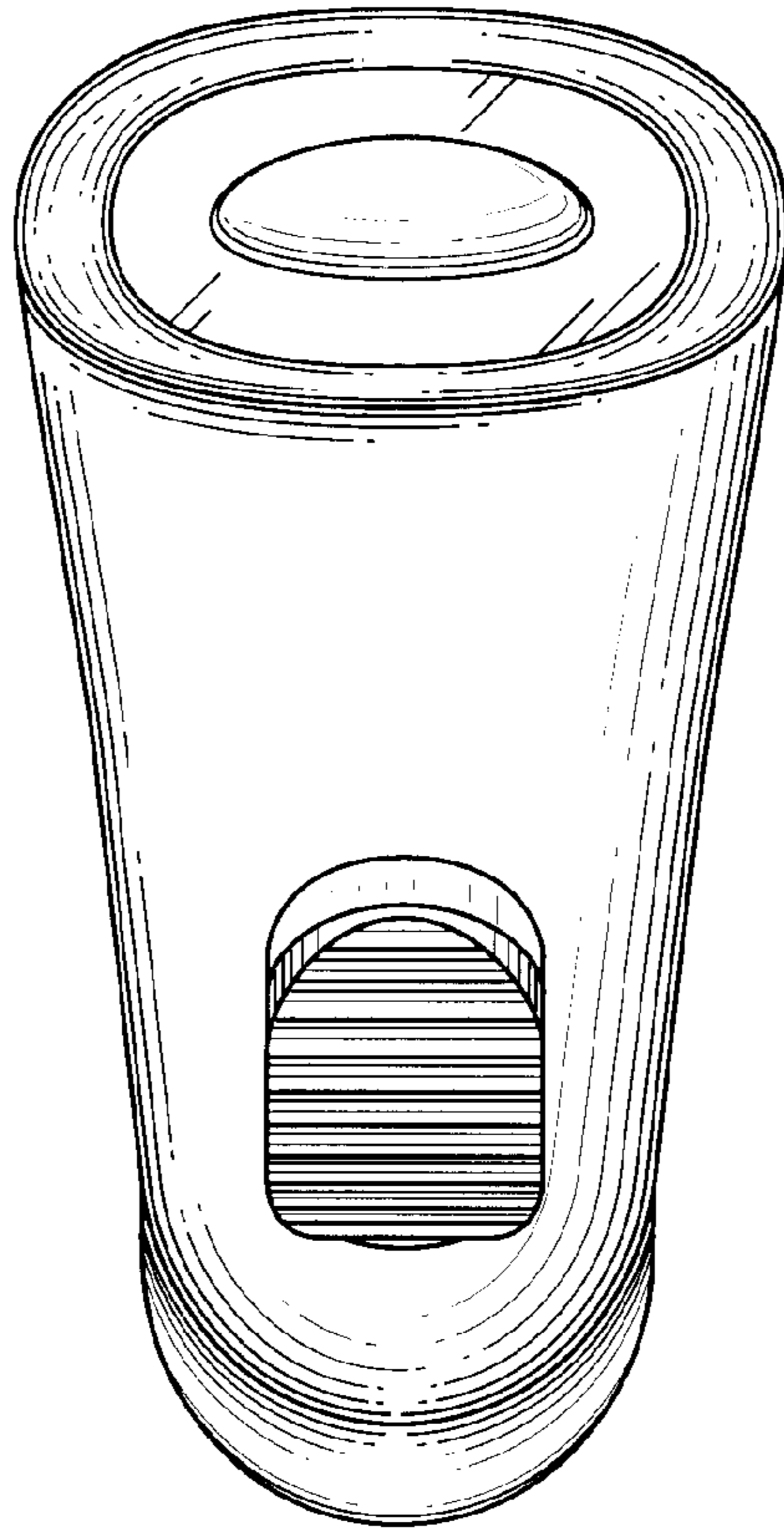


FIG. 7

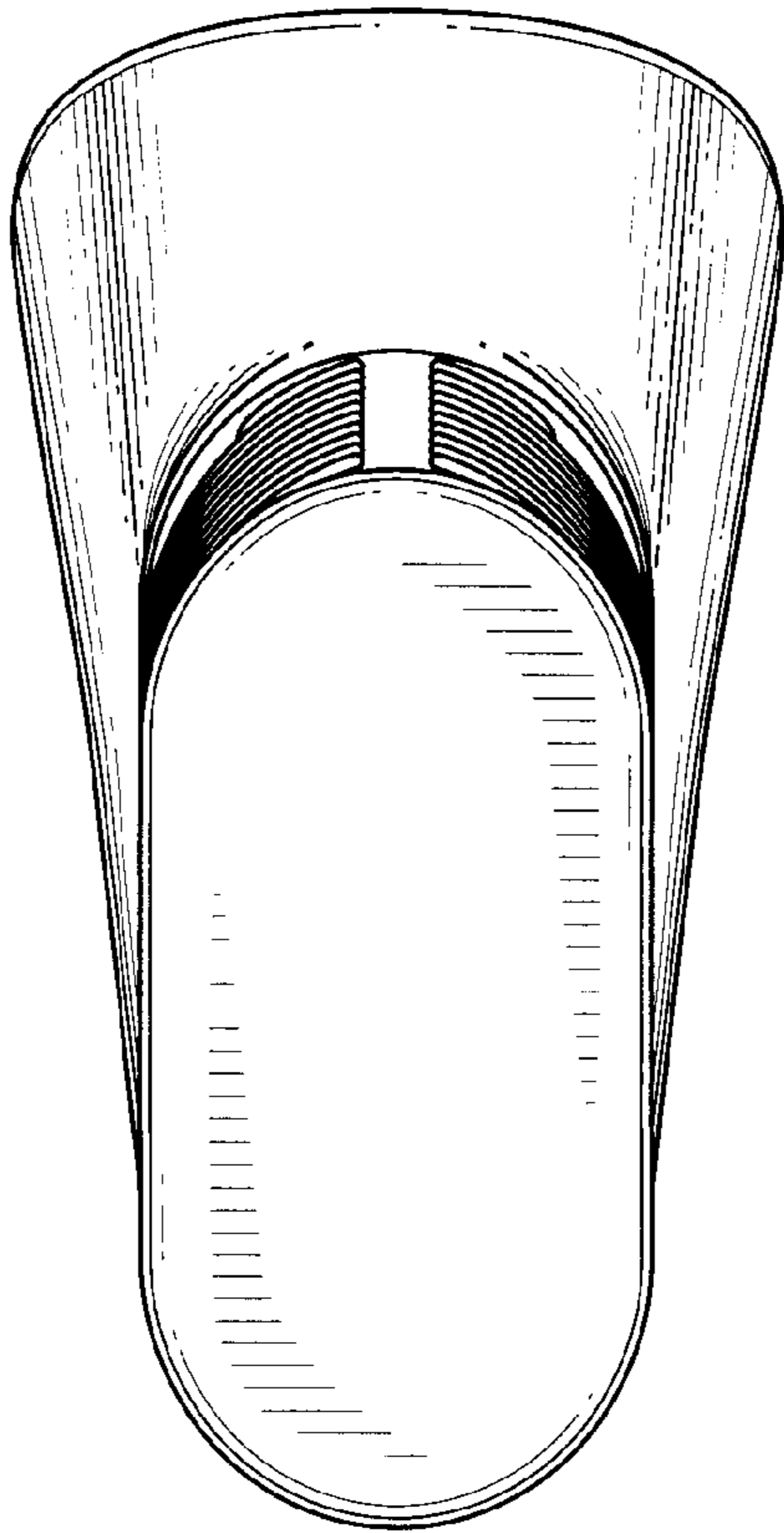


FIG. 6