



US00D527128S

(12) **United States Design Patent**
Lo et al.

(10) **Patent No.:** **US D527,128 S**

(45) **Date of Patent:** **** Aug. 22, 2006**

(54) **LANTERN**

(75) Inventors: **Eddie Ying-Hoi Lo**, Tsuen Wan (HK);
Victor Tin-Shun Au Yeung, Tsuen Wan (HK)

(73) Assignee: **Lomak Industrial Co., Ltd.**, Hong Kong (CN)

(**) Term: **14 Years**

(21) Appl. No.: **29/229,020**

(22) Filed: **May 3, 2005**

(51) **LOC (8) Cl.** **26-02**

(52) **U.S. Cl.** **D26/40**

(58) **Field of Classification Search** D26/37-50;
362/157, 158, 171-174, 183-208
See application file for complete search history.

(56) **References Cited**

U.S. PATENT DOCUMENTS

D424,726 S * 5/2000 Petterson et al. D26/40

D442,306 S * 5/2001 Shing D26/40
D468,039 S * 12/2002 Poon D26/40
D485,385 S * 1/2004 Lo D26/40
D486,598 S * 2/2004 Lo D26/40
D509,921 S * 9/2005 Lam D26/40

* cited by examiner

Primary Examiner—Marcus A. Jackson

(74) *Attorney, Agent, or Firm*—Buchanan Ingersoll PC

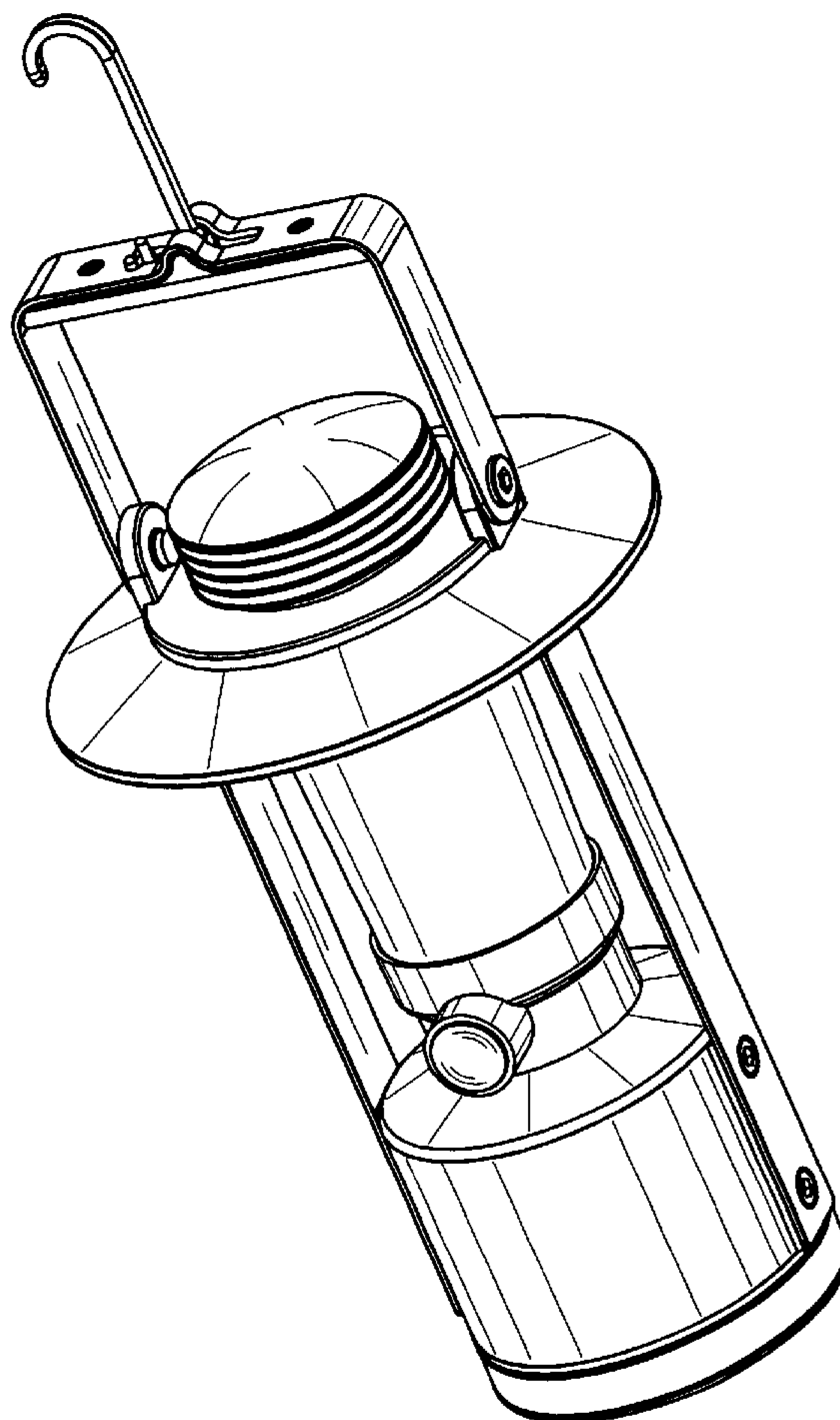
(57) **CLAIM**

The ornamental design for a “lantern”, as shown and described.

DESCRIPTION

FIG. 1 is a front view of a “lantern” showing our design;
FIG. 2 is a rear view thereof;
FIG. 3 is a right side view thereof;
FIG. 4 is a left side view thereof;
FIG. 5 is a top plan view thereof;
FIG. 6 is a bottom view thereof; and,
FIG. 7 is a perspective view thereof.

1 Claim, 3 Drawing Sheets



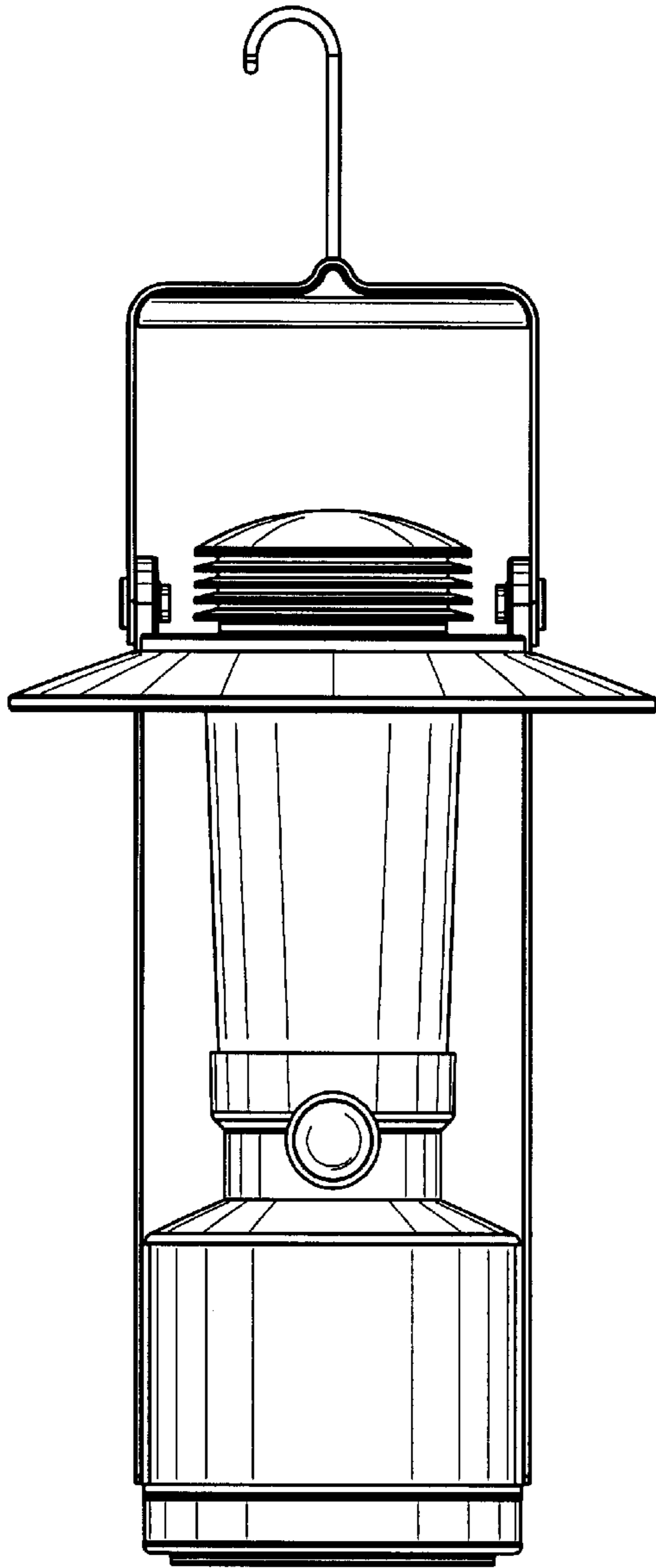


Fig. 1

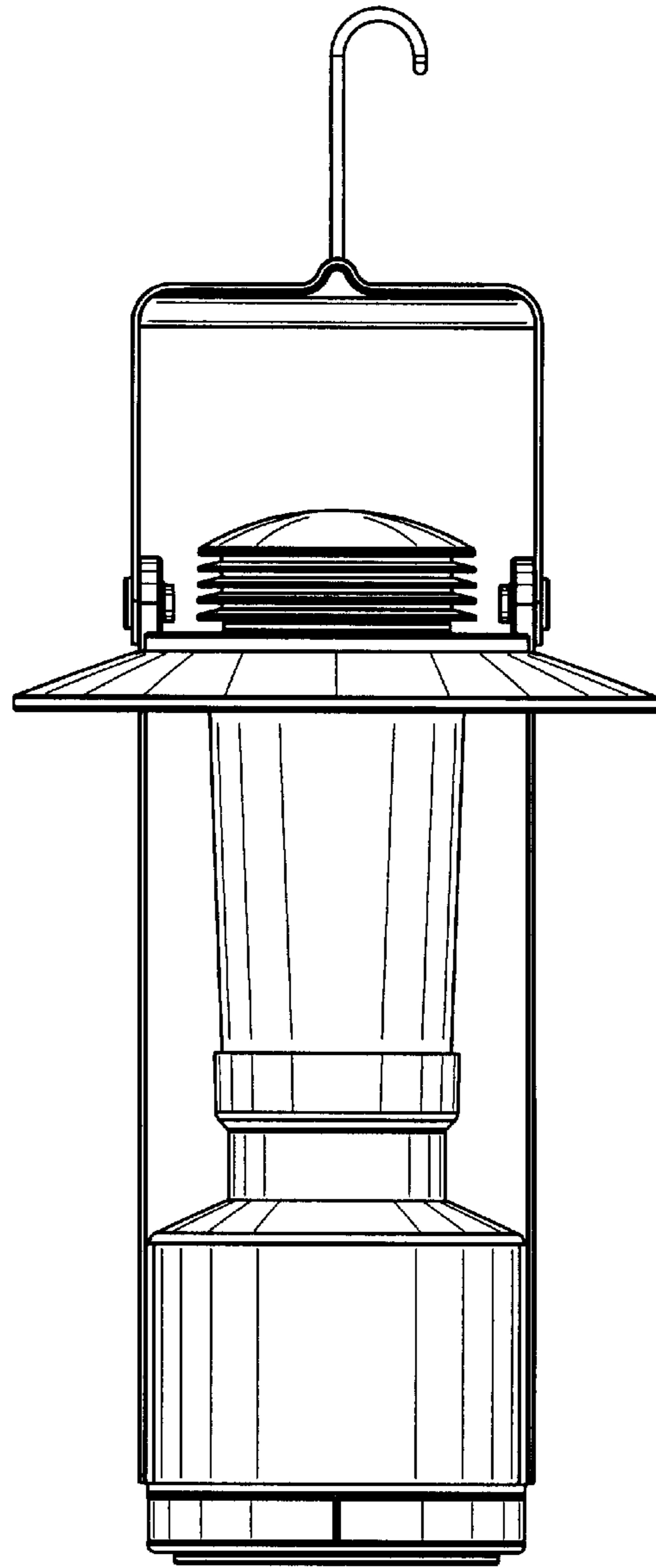


Fig. 2

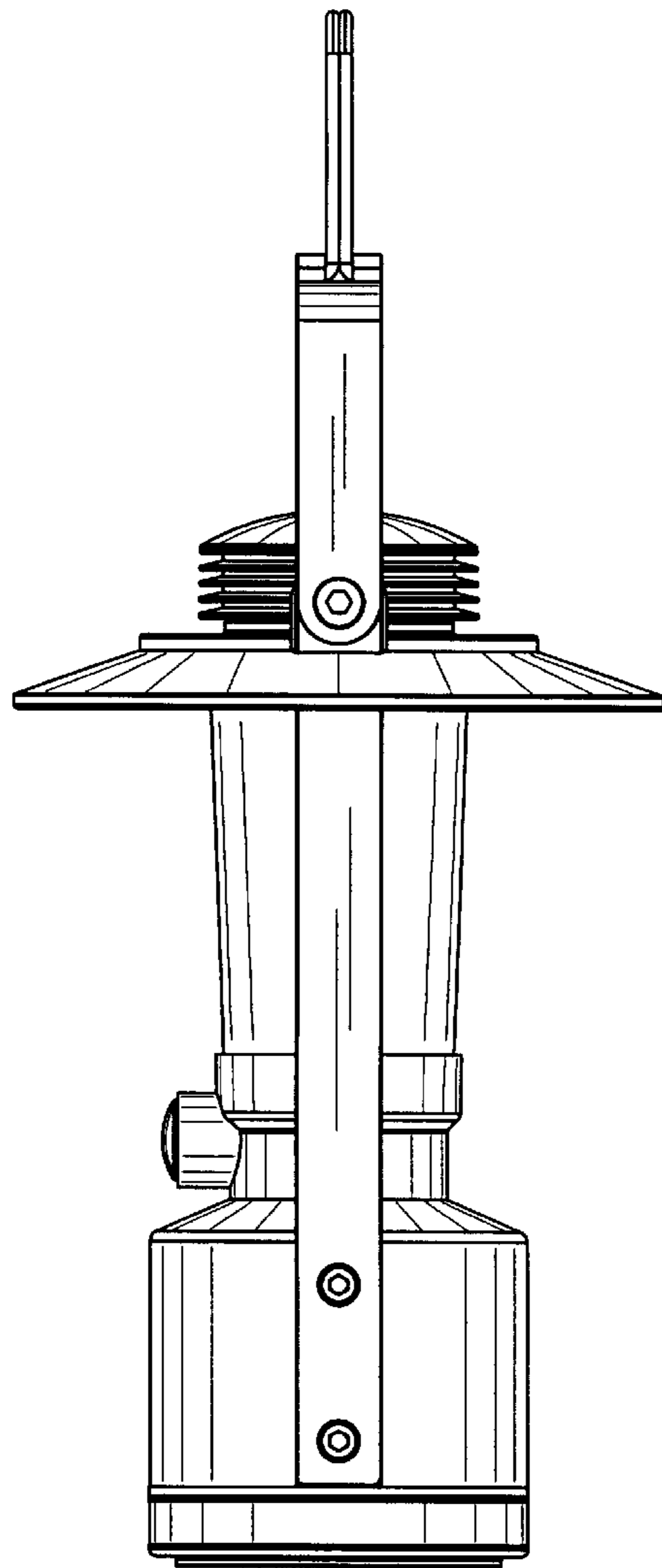


Fig. 3

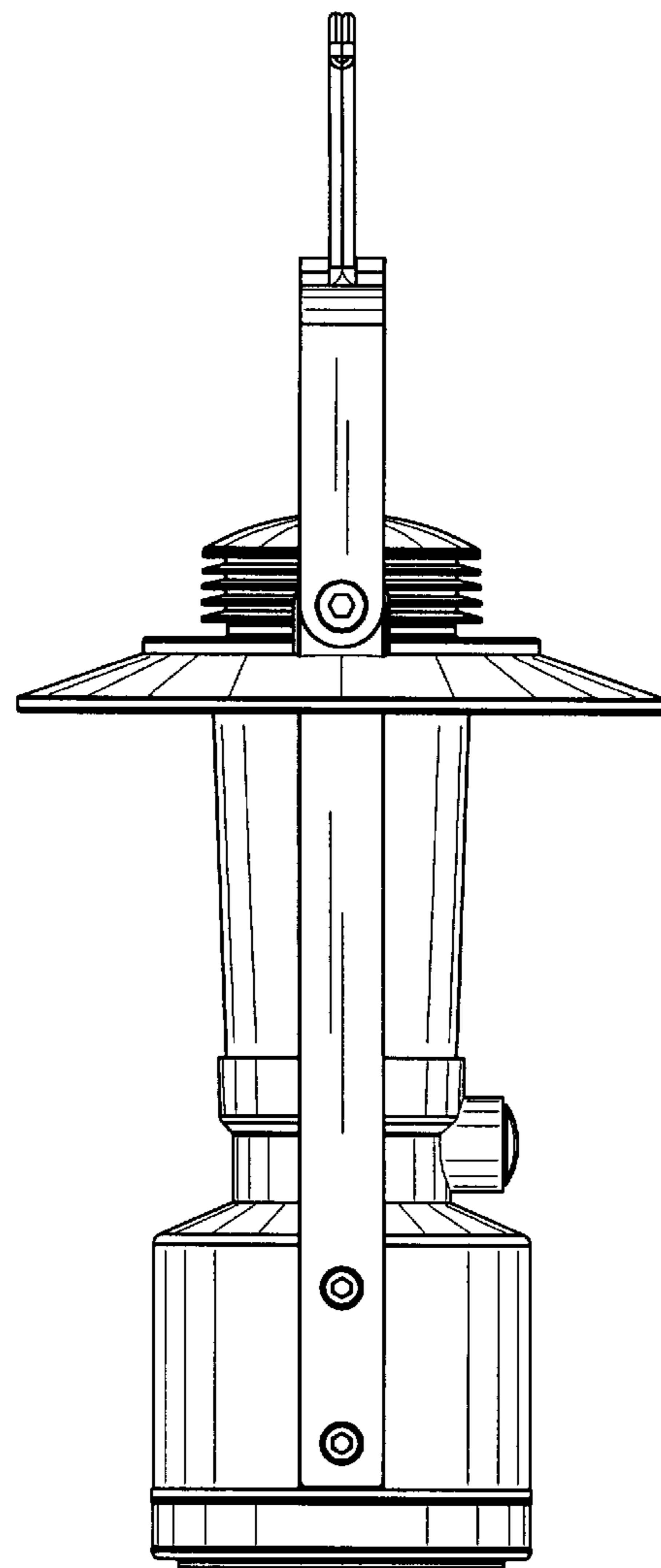


Fig. 4

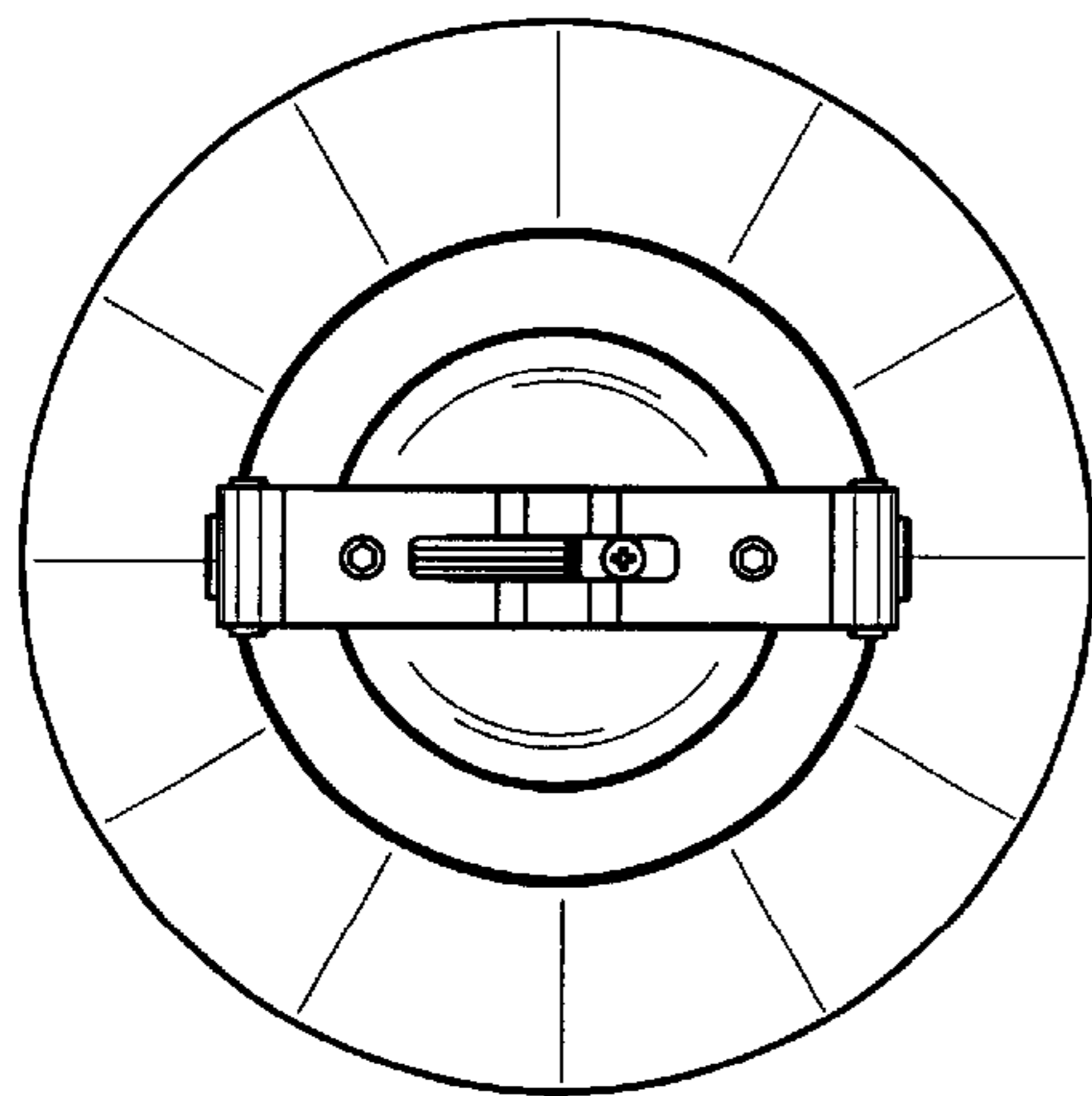


Fig. 5

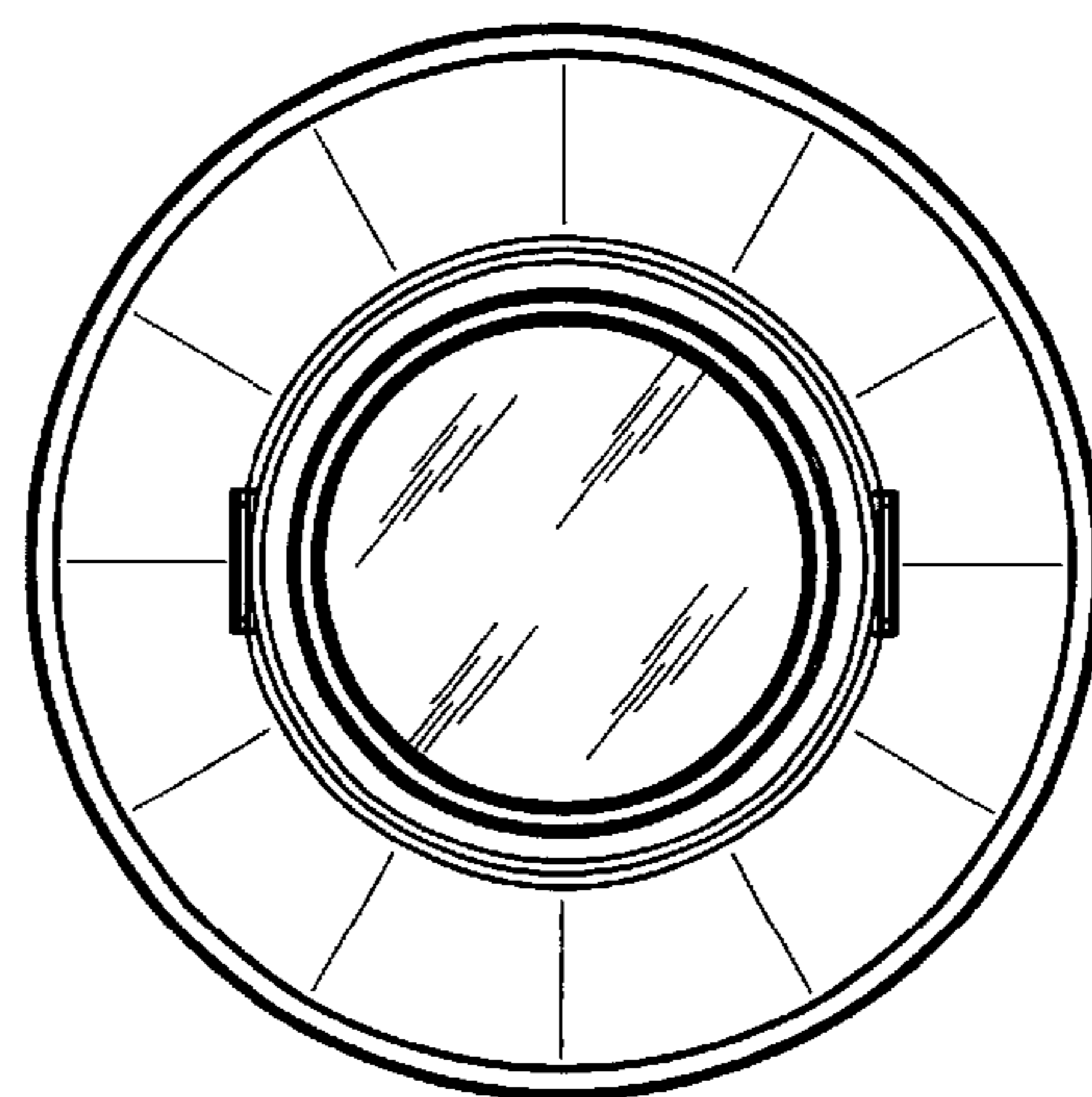


Fig. 6

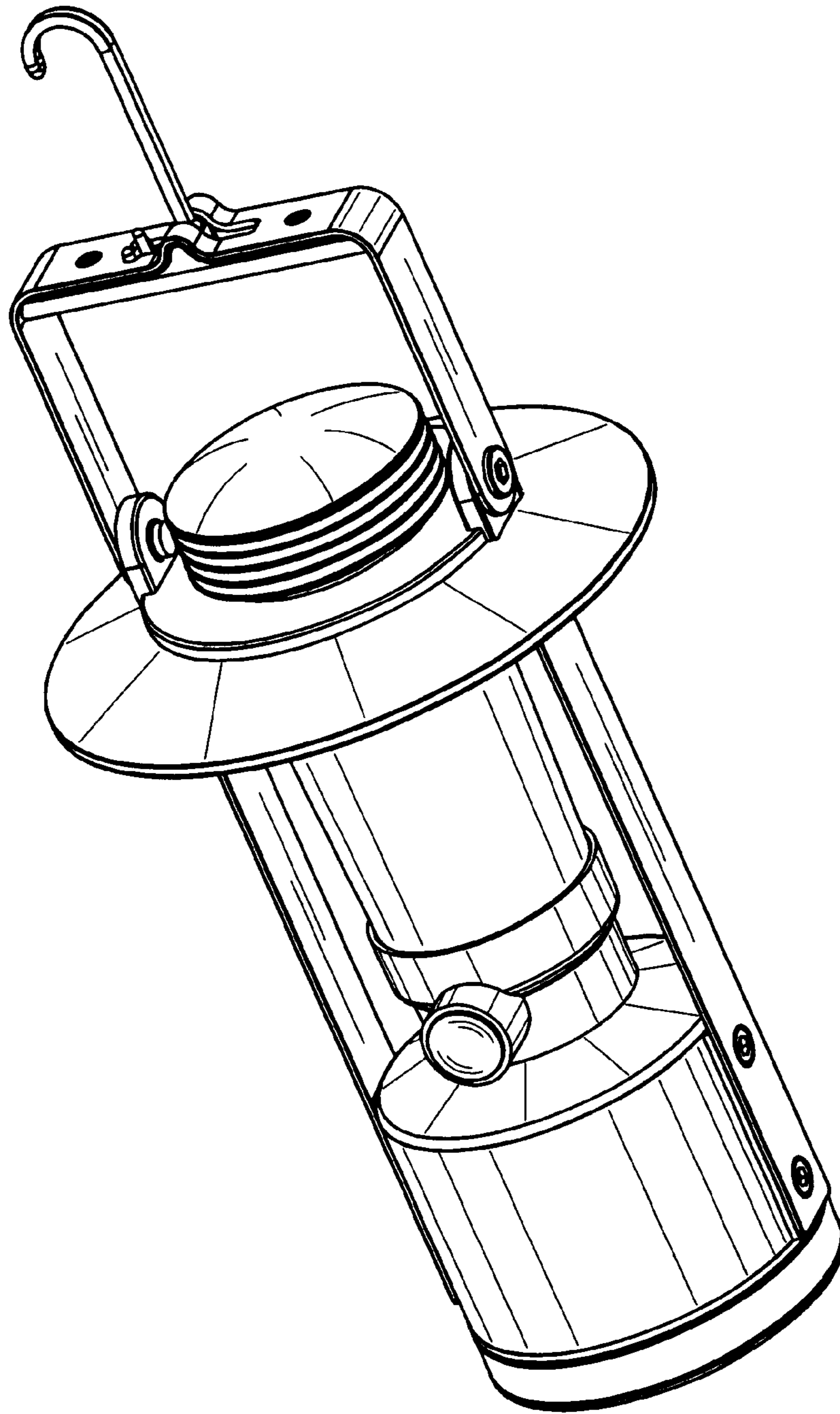


Fig. 7