

US00D527125S

(12) **United States Design Patent** (10) **Patent No.:** **US D527,125 S**  
**Lai** (45) **Date of Patent:** **\*\* Aug. 22, 2006**

(54) **SURFACE CONFIGURATION OF A FRONT LIGHT FOR A VEHICLE**

*Primary Examiner*—Marcus A. Jackson  
(74) *Attorney, Agent, or Firm*—Crowell & Moring LLP

(75) Inventor: **Pinky Lai**, Koenigsbach-Stein (DE)

(57) **CLAIM**

(73) Assignee: **Dr. Ing. h.c.F. Porsche Aktiengesellschaft**, Stuttgart (DE)

The ornamental design for a surface configuration of a front light for a vehicle, as shown and described.

(\*\*) Term: **14 Years**

**DESCRIPTION**

(21) Appl. No.: **29/237,753**

(22) Filed: **Sep. 7, 2005**

(30) **Foreign Application Priority Data**

Mar. 8, 2005	(DE)	.....	4 05 01 298
Mar. 8, 2005	(DE)	.....	4 05 01 305
Mar. 8, 2005	(DE)	.....	4 05 01 310
Mar. 8, 2005	(DE)	.....	4 05 01 299

This application is related to the following co-pending applications, of the inventor, filed on even date herewith: application Ser. No. 29/237,713, entitled “Surface Configuration of a Vehicle, Toy, and/or Other Replicas”; and application Ser. No. 29/237,726, entitled “Surface Configuration of a Front Portion of a Vehicle, Toy, and/or Other Replicas”. FIG. 1 is a front view of a first embodiment of a surface configuration of a front light for a vehicle according to my novel design; and

(51) **LOC (8) Cl.** ..... **26-06**

(52) **U.S. Cl.** ..... **D26/28**

(58) **Field of Classification Search** ..... D26/28–36;  
362/459–468, 475–478, 485–487  
See application file for complete search history.

FIG. 2 is a perspective view thereof.

FIG. 3 is a front view of a second embodiment of the surface configuration of a front light for a vehicle according to my novel design; and,

(56) **References Cited**

U.S. PATENT DOCUMENTS

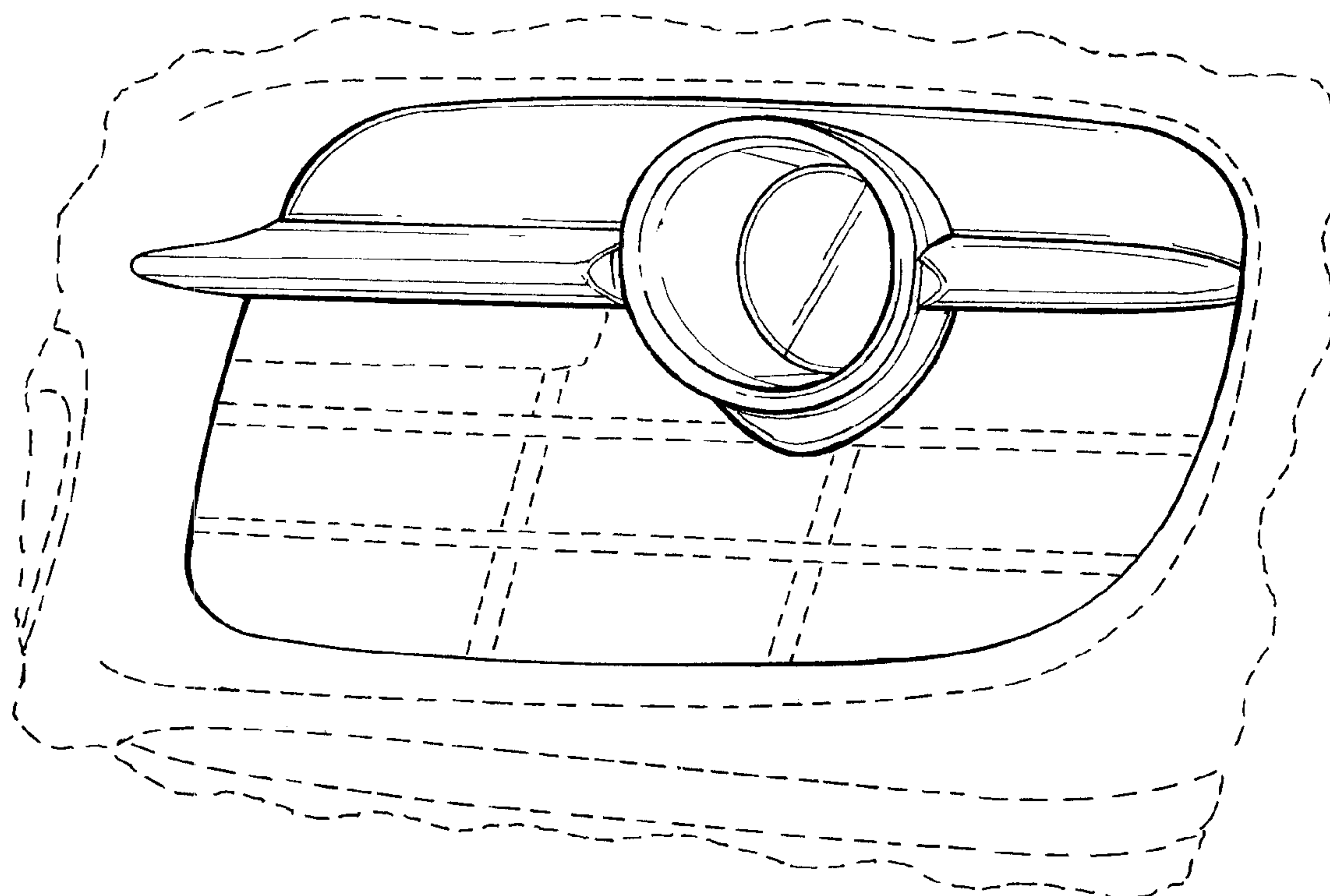
D498,548 S	*	11/2004	Kawashima et al.	.....	D26/28
D506,844 S	*	6/2005	Lin	.....	D26/28
D508,137 S	*	8/2005	Numata	.....	D26/28

FIG. 4 is a perspective view thereof.

The broken lines are for illustrative purposes only and form no part of the claimed design. Also enclosed is a set of photographs of an embodiment of the design.

\* cited by examiner

**1 Claim, 2 Drawing Sheets**



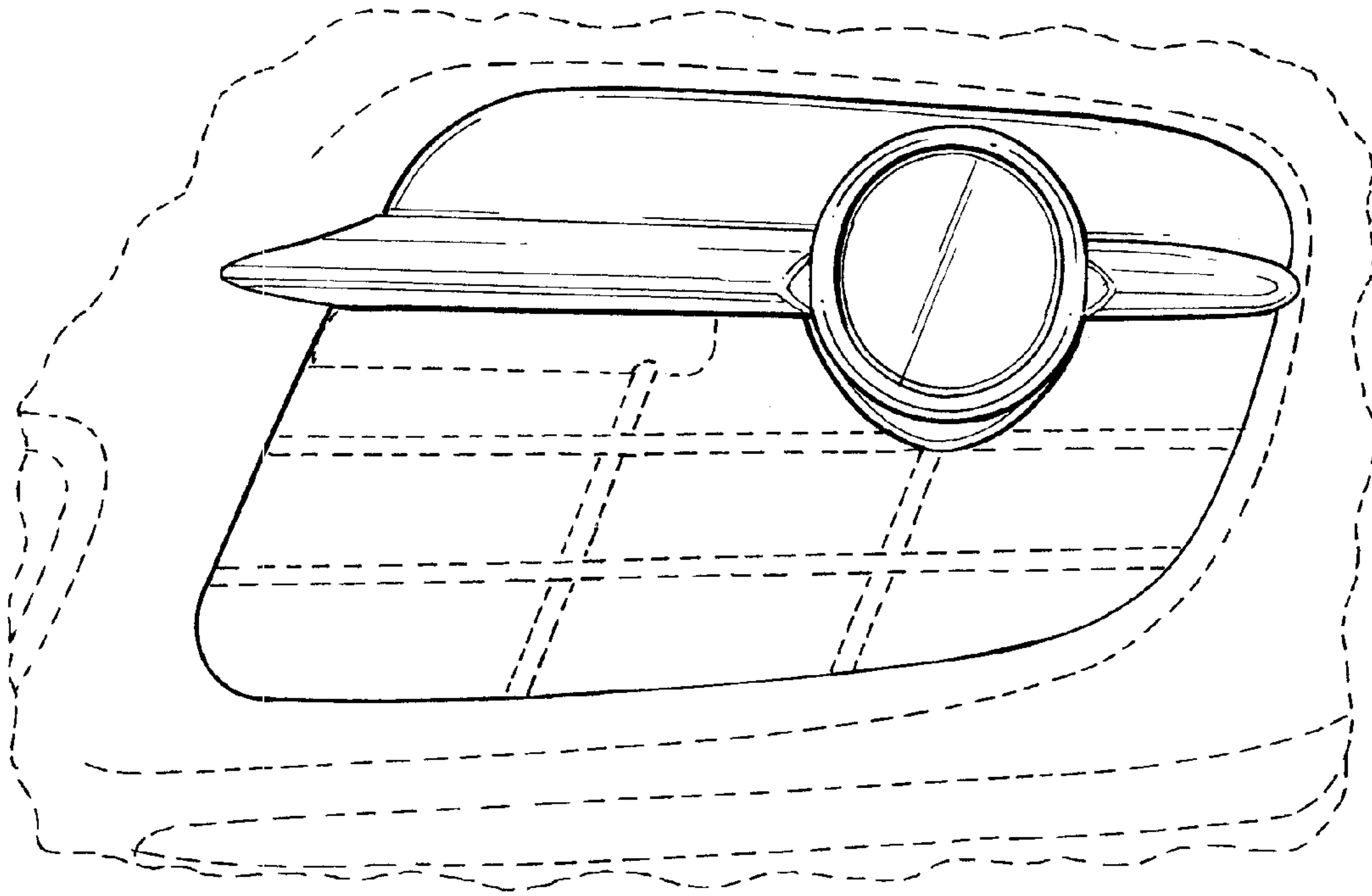


FIG. 1

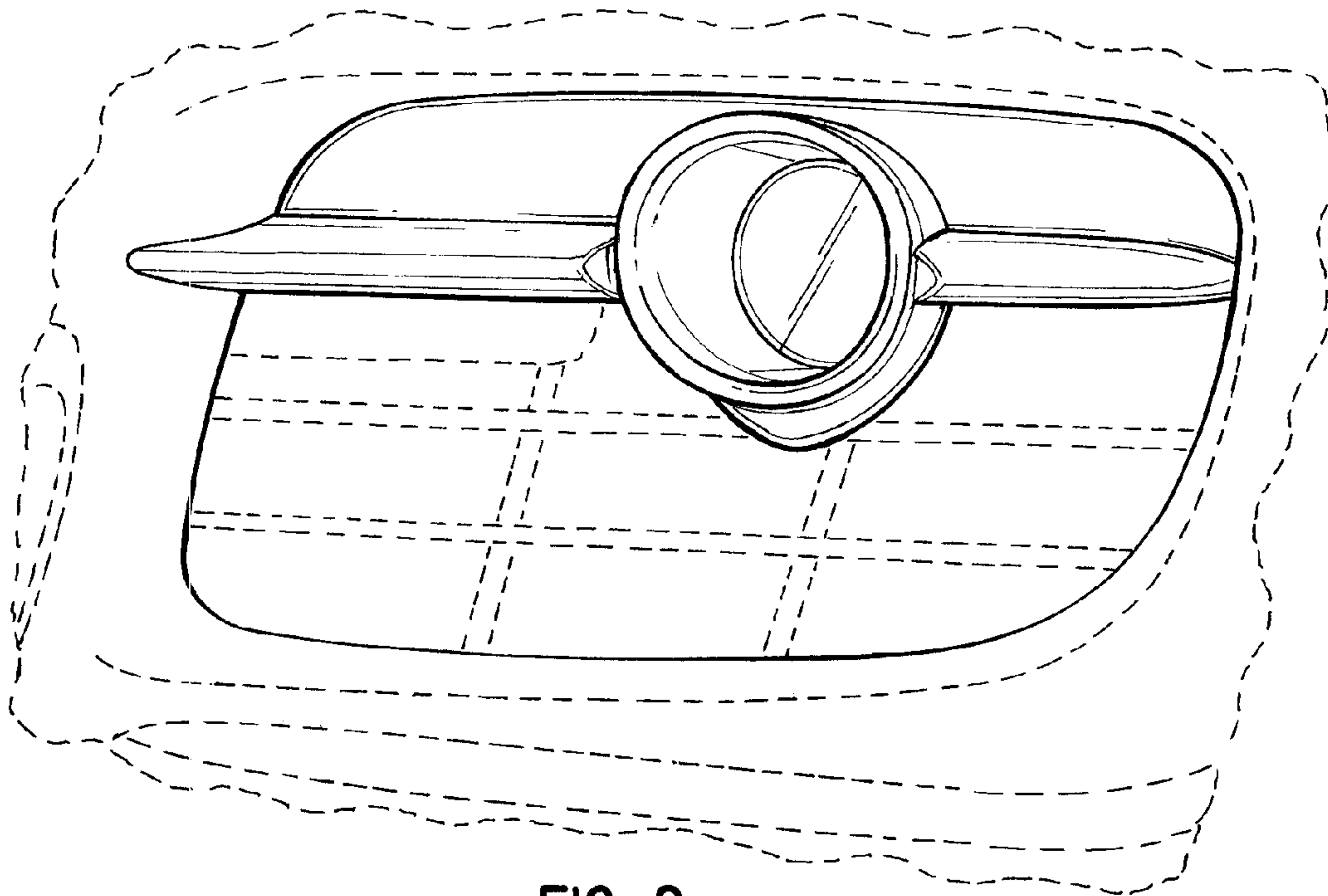


FIG. 2

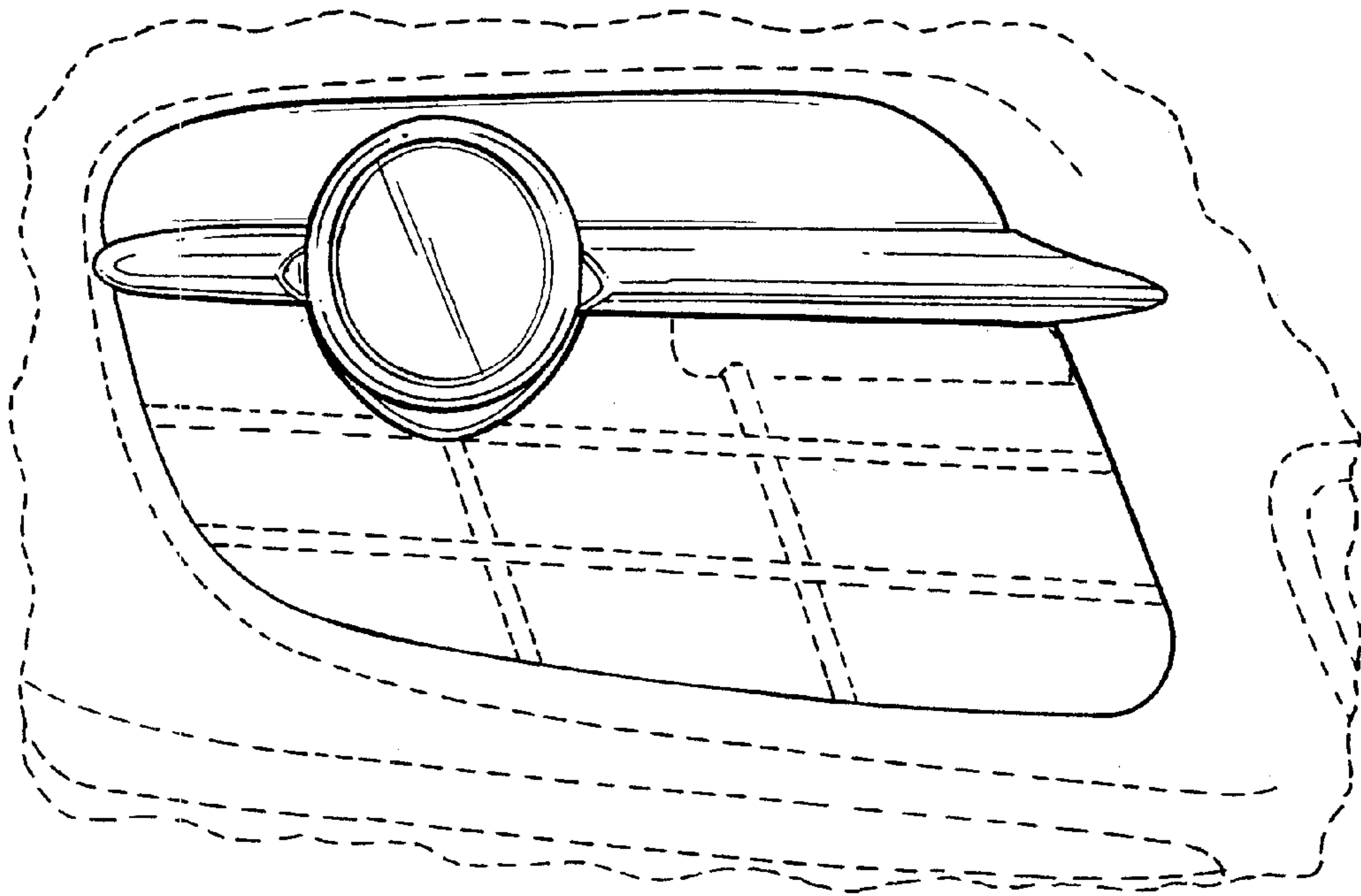


FIG. 3

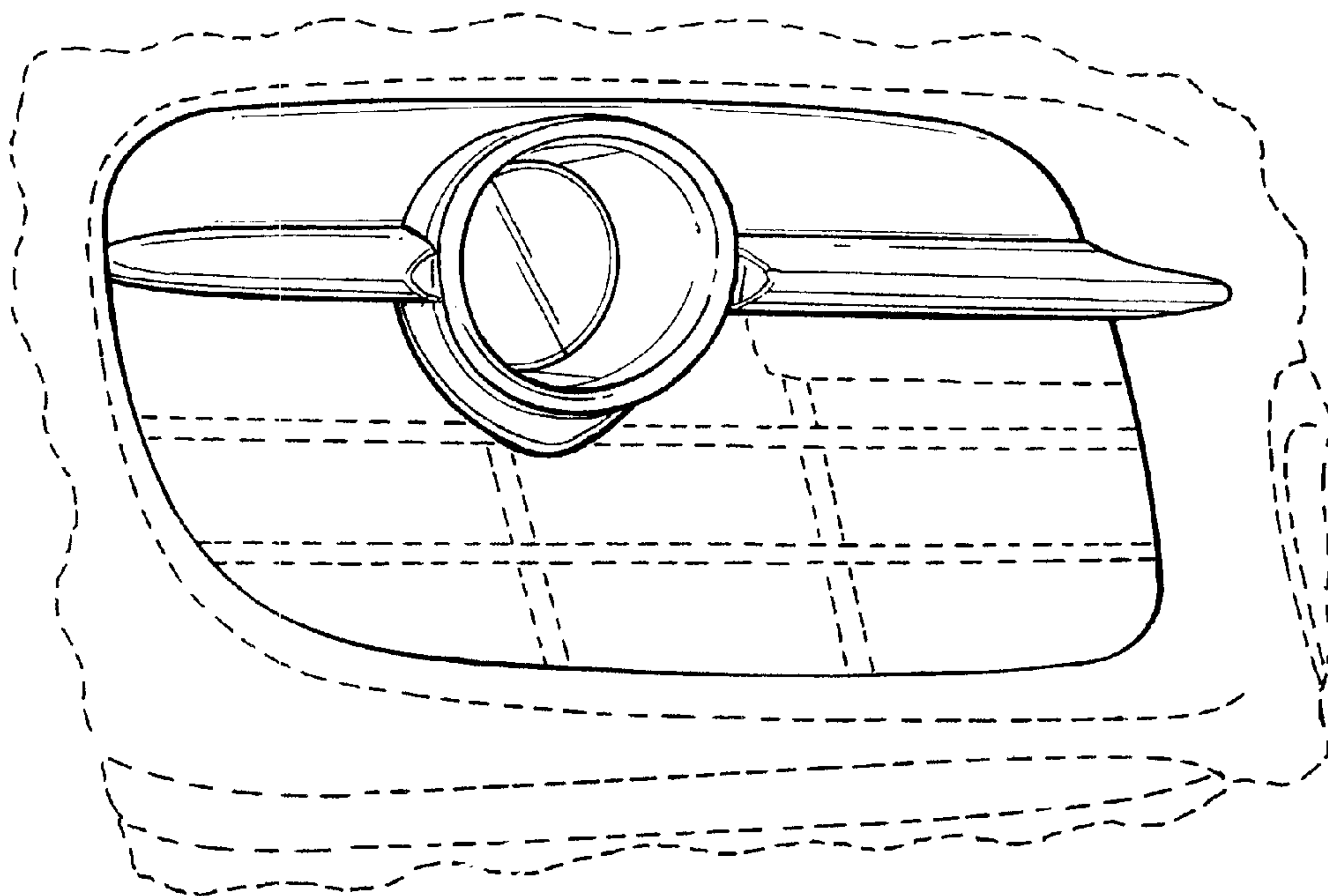


FIG. 4