



US00D527122S

(12) **United States Design Patent**
Chuang

(10) **Patent No.:** **US D527,122 S**

(45) **Date of Patent:** **** Aug. 22, 2006**

(54) **REAR COMBINATION LAMPS FOR AN AUTOMOBILE BODY**

(75) Inventor: **Yung-Yi Chuang**, Taipei (TW)

(73) Assignee: **LasterTech Corporation Ltd.**,
Chungho (TW)

(**) Term: **14 Years**

(21) Appl. No.: **29/229,868**

(22) Filed: **May 13, 2005**

(51) **LOC (8) Cl.** **26-06**

(52) **U.S. Cl.** **D26/28**

(58) **Field of Classification Search** D26/28-36;
362/459-468, 475-478, 485-487
See application file for complete search history.

(56) **References Cited**

U.S. PATENT DOCUMENTS

- D472,004 S * 3/2003 Pfeiffer et al. D26/28
- D472,657 S * 4/2003 Pfeiffer et al. D26/28
- D490,170 S * 5/2004 Metros et al. D26/28
- D491,299 S * 6/2004 Simmons et al. D26/28

- D494,294 S * 8/2004 Pfeiffer D26/28
- D510,634 S * 10/2005 Platto et al. D26/28

* cited by examiner

Primary Examiner—Marcus A. Jackson

(74) *Attorney, Agent, or Firm*—Winston Hsu

(57) **CLAIM**

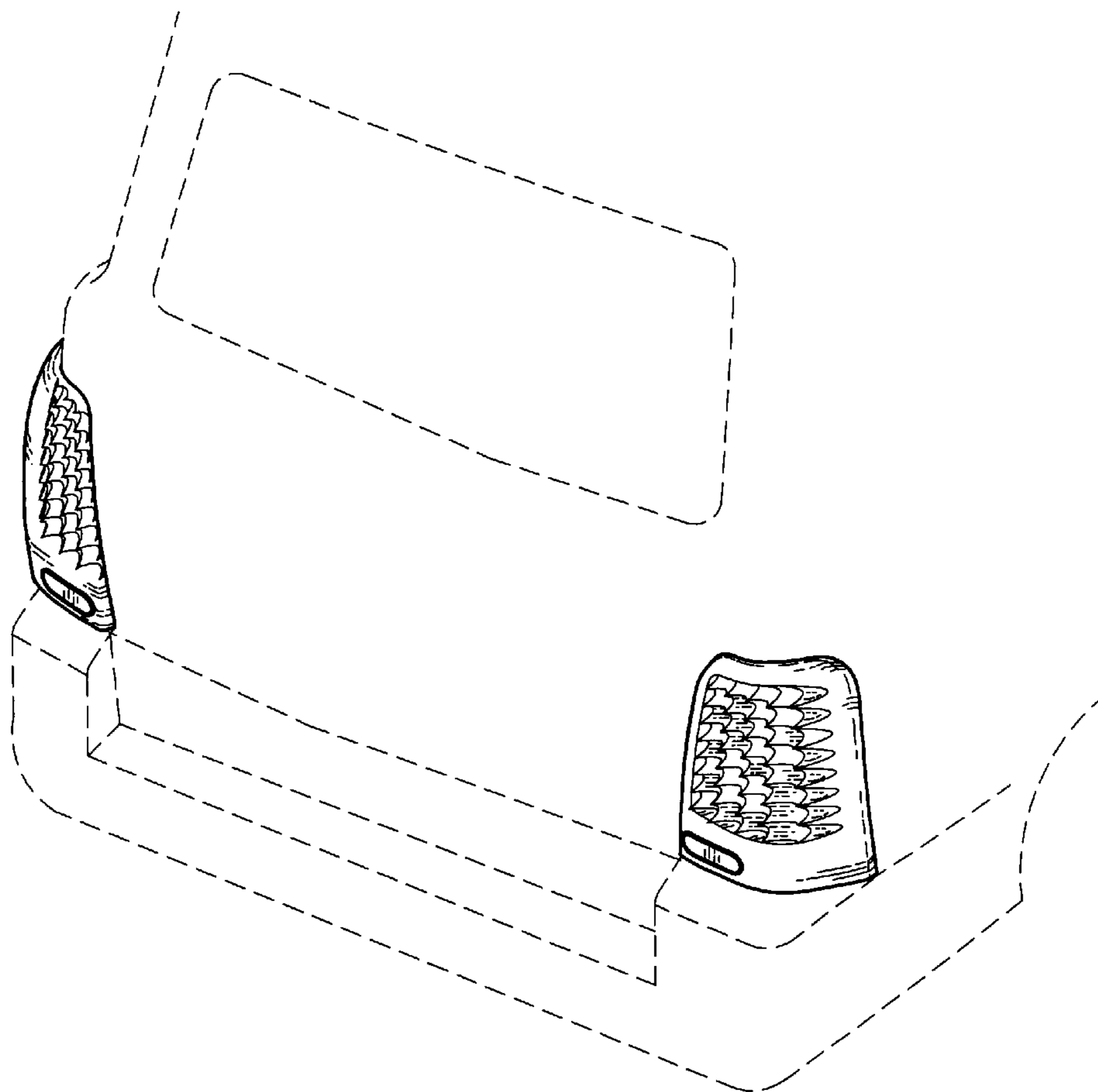
The ornamental design for rear combination lamps for an automobile body, as shown and described.

DESCRIPTION

FIG. 1 is a front view of rear combination lamps for an automobile body showing the new design; FIG. 2 is a left side view thereof; FIG. 3 is a right side view thereof; FIG. 4 is a top view thereof; and, FIG. 5 is a perspective view thereof.

The transparent/translucent external covers (not shown) of the rear combination lamps for an automobile body form no part of the claimed design. In addition, the broken line showing the automobile body is only for illustrative purposes and forms no part of the claimed design.

1 Claim, 5 Drawing Sheets



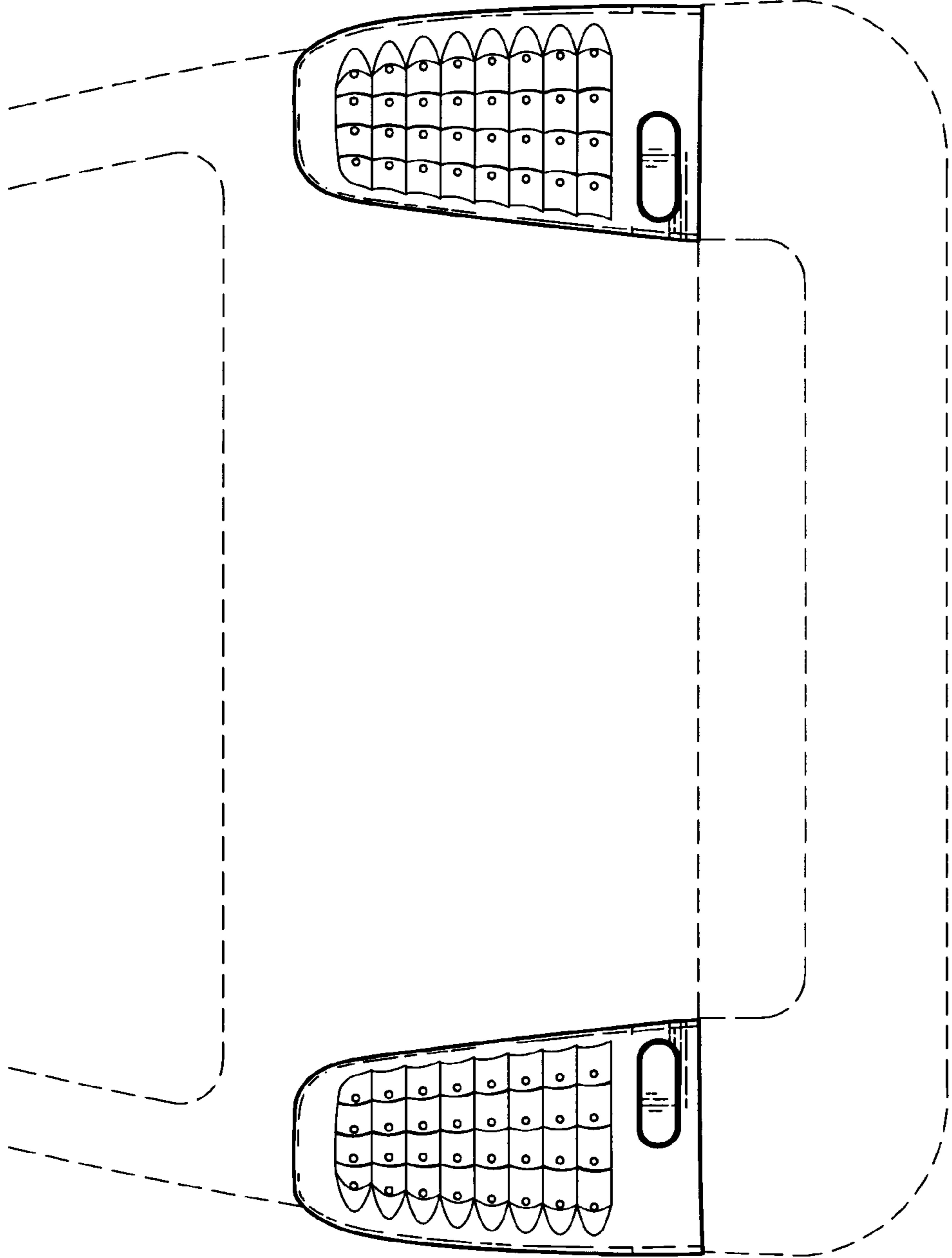


Fig. 1

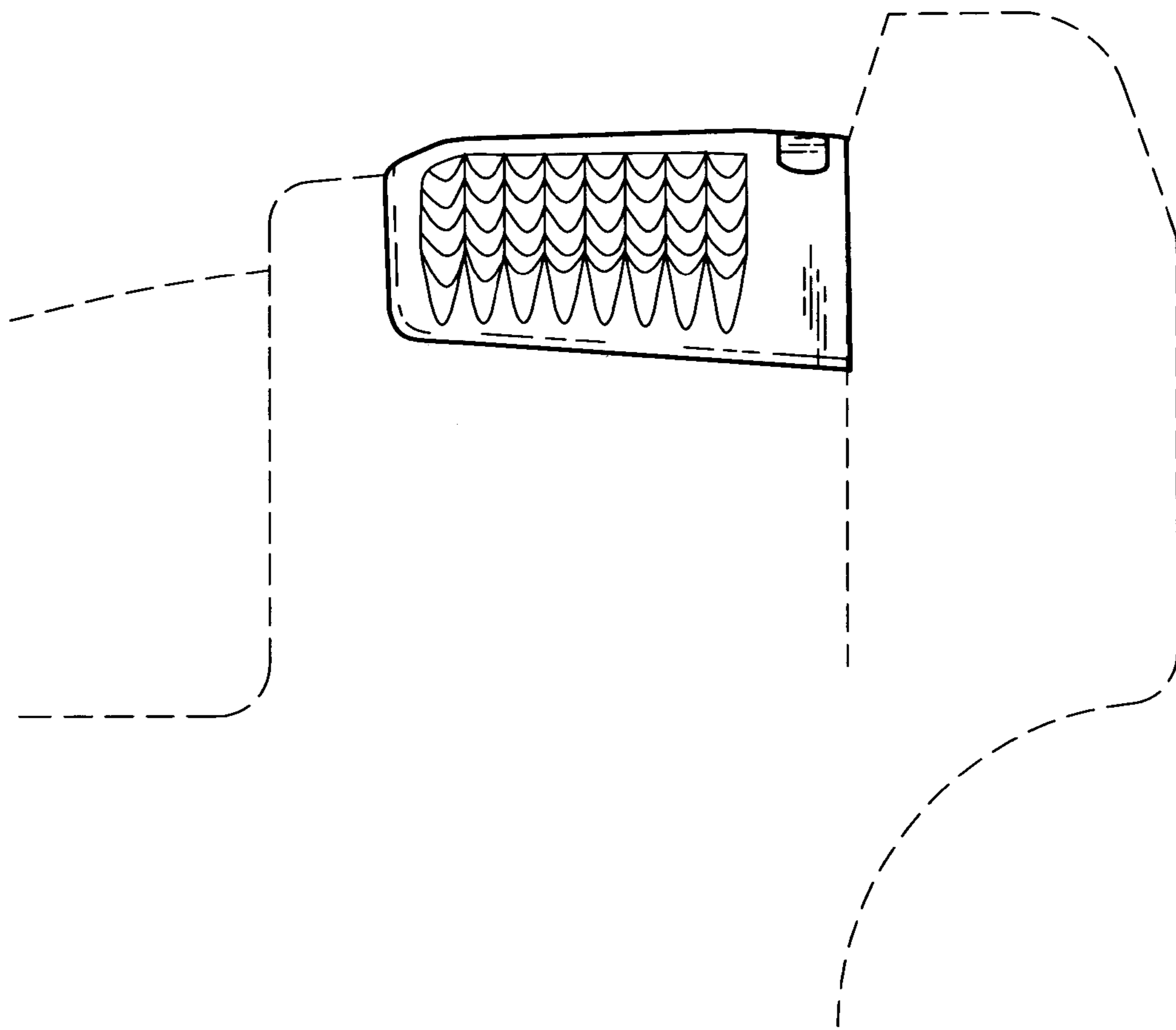


Fig. 2

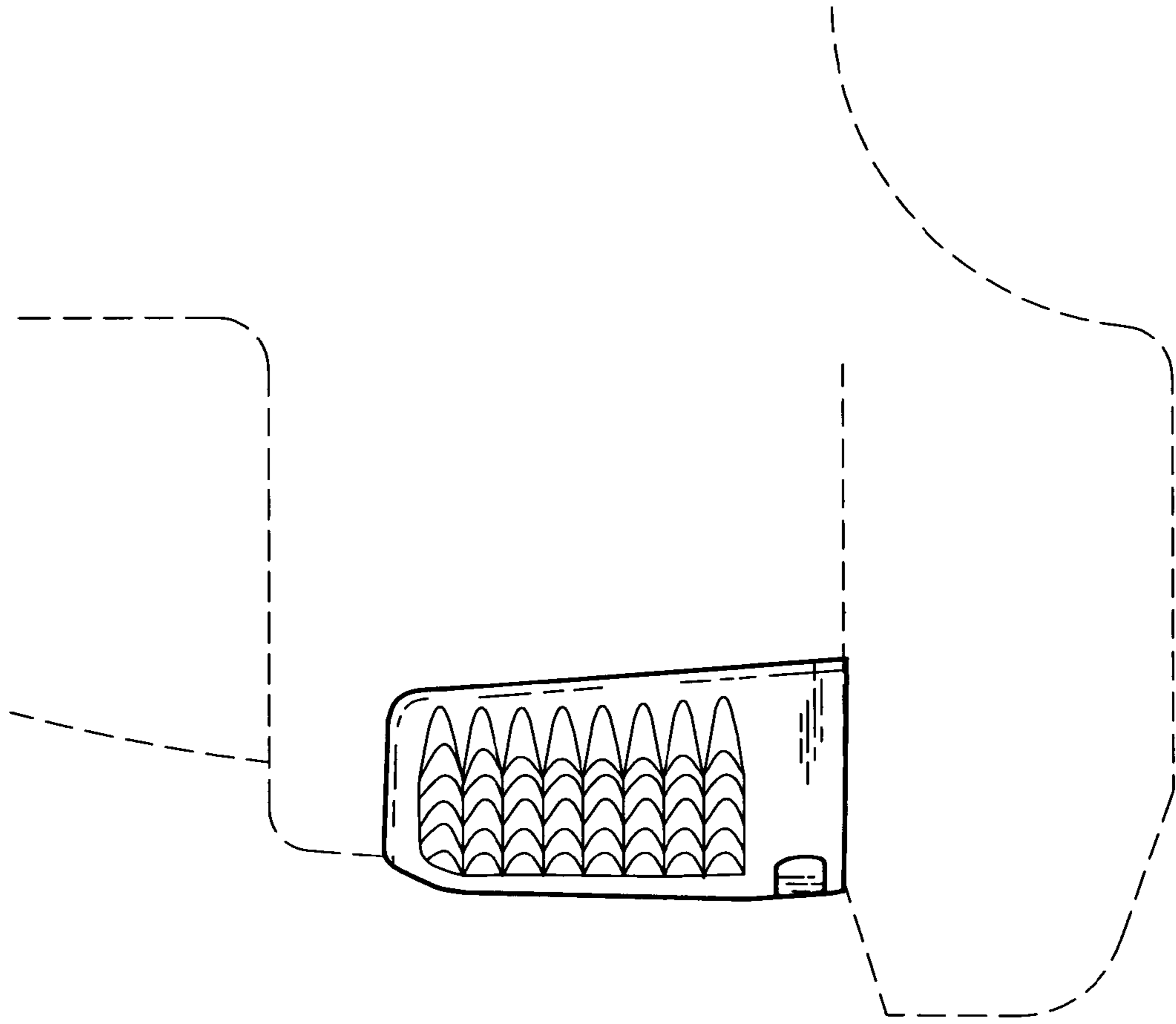


Fig. 3

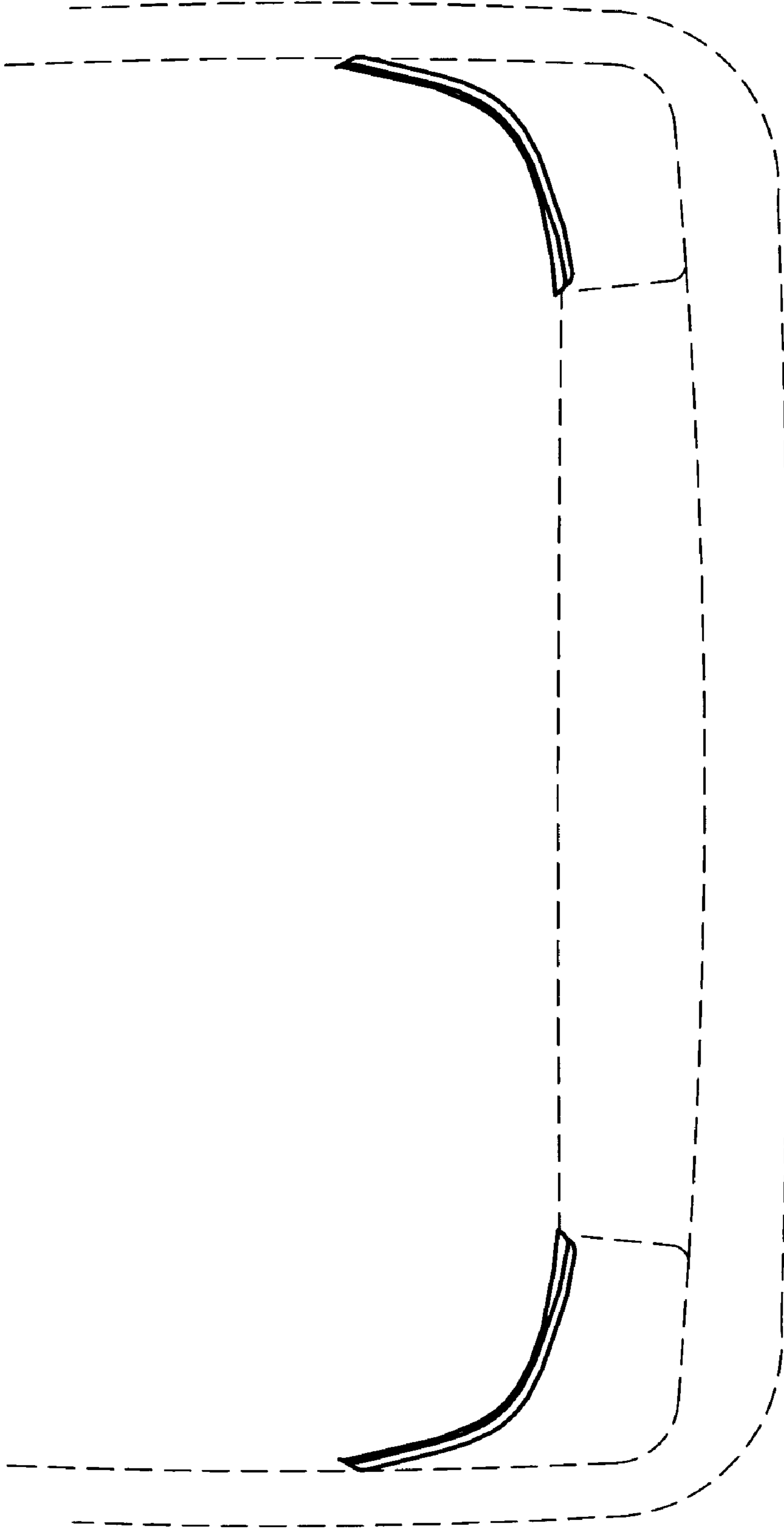


Fig. 4

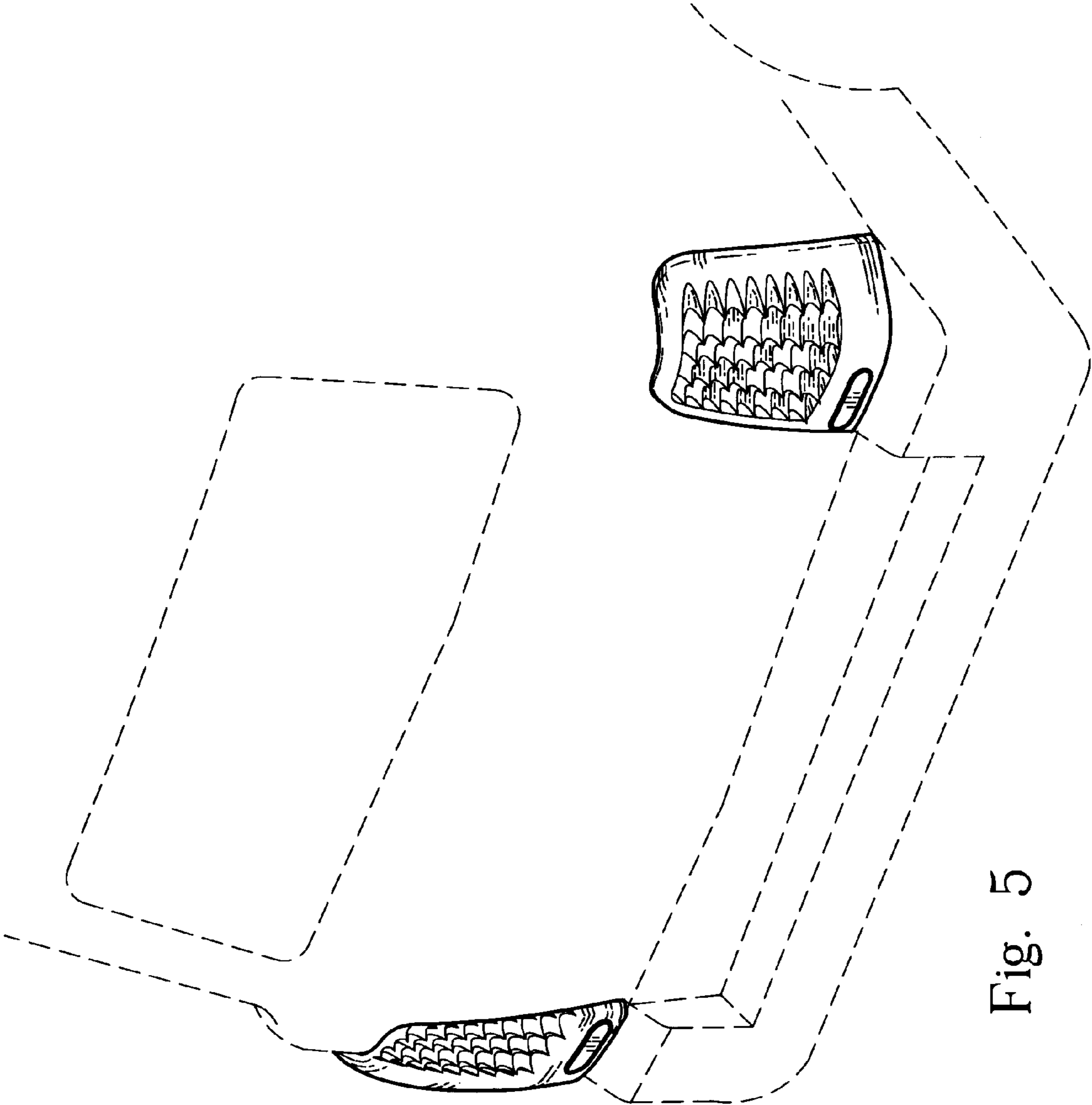


Fig. 5