



US00D527120S

(12) **United States Design Patent**
Konkle, Jr.

(10) **Patent No.:** **US D527,120 S**

(45) **Date of Patent:** **** Aug. 22, 2006**

(54) **OIL LAMP**

(75) Inventor: **Stephen A. Konkle, Jr.**, Kirkland, WA (US)

(73) Assignee: **Foremost Groups, Inc.**, East Hanover, NJ (US)

(**) Term: **14 Years**

(21) Appl. No.: **29/223,674**

(22) Filed: **Feb. 16, 2005**

(51) **LOC (8) Cl.** **26-01**

(52) **U.S. Cl.** **D26/11**

(58) **Field of Classification Search** D26/9-11;
431/288, 291, 125-6
See application file for complete search history.

(56) **References Cited**

U.S. PATENT DOCUMENTS

D318,927 S	*	8/1991	Cleminshaw et al.	D26/11
D371,212 S	*	6/1996	Hardy et al.	D26/9
D394,513 S	*	5/1998	Davis	D26/6
D472,985 S	*	4/2003	Longsdorf et al.	D26/11

* cited by examiner

Primary Examiner—Robin Webster

(74) *Attorney, Agent, or Firm*—Seed IP Law Group PLLC

(57) **CLAIM**

The ornamental design for an oil lamp, as shown and described.

DESCRIPTION

FIG. 1 is a front, isometric view of an oil lamp showing my new design according to one illustrated embodiment.

FIG. 2 is a front, isometric view of an oil lamp showing my new design according to another illustrated embodiment.

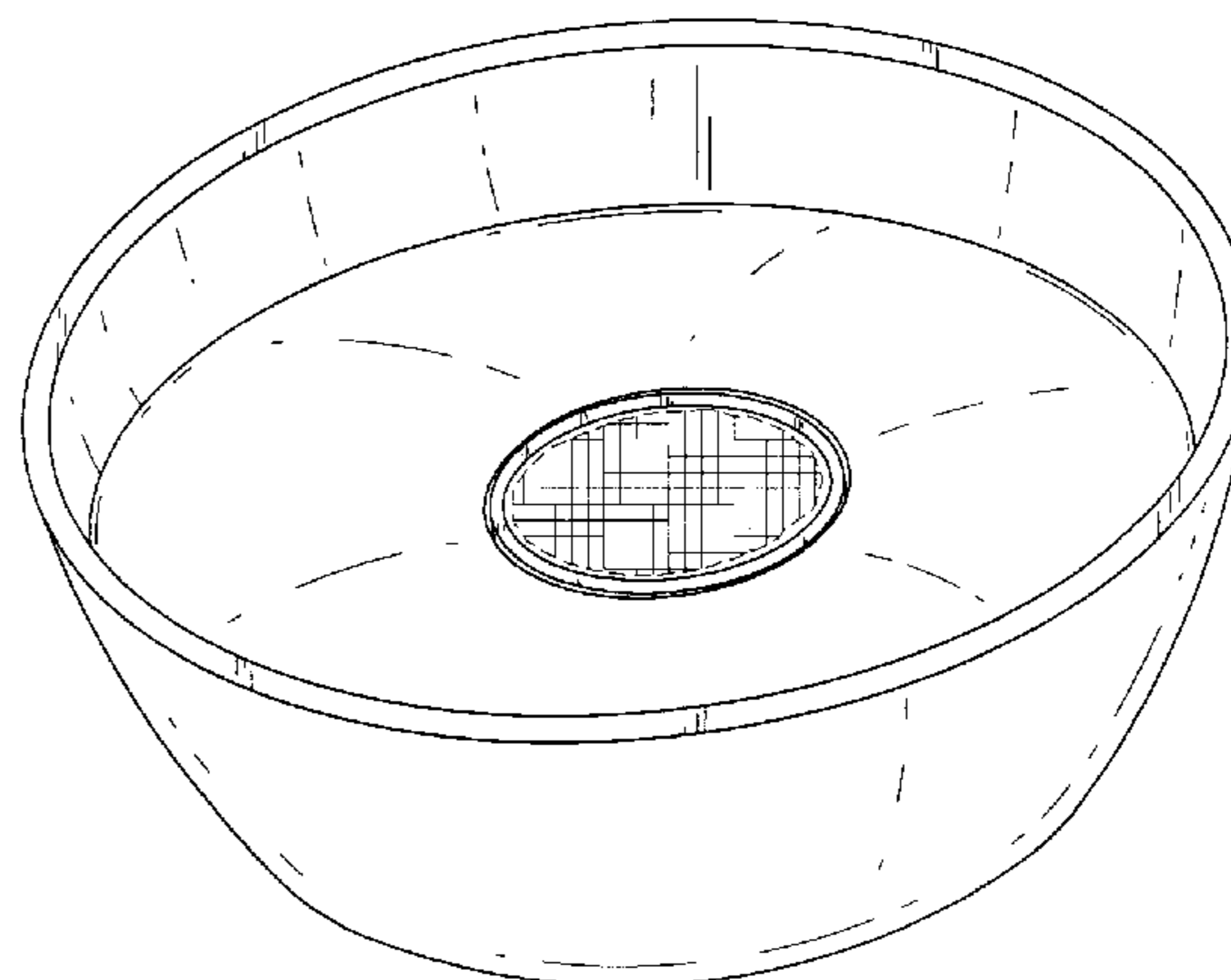
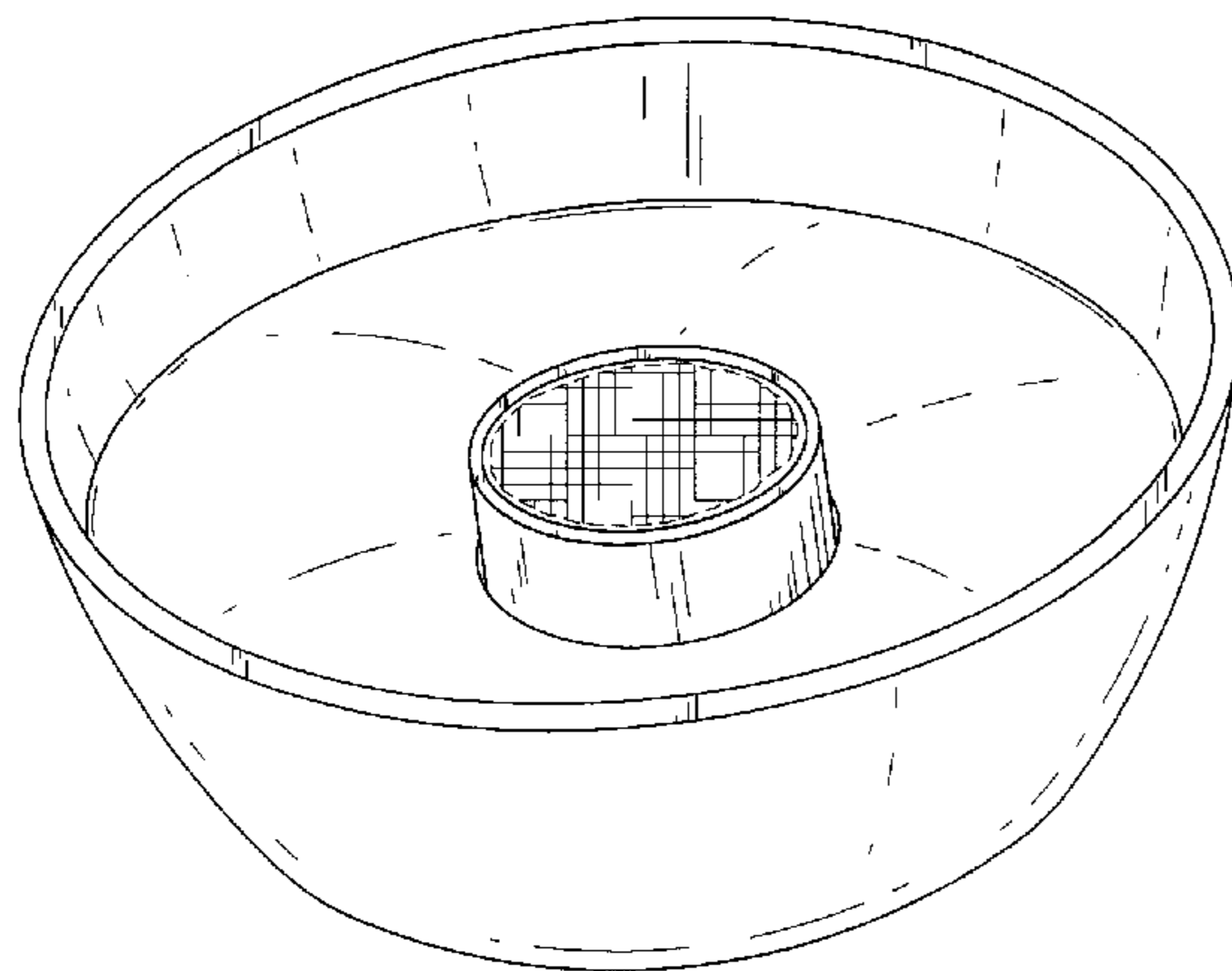
FIG. 3 is a front elevational view of the oil lamp of either FIG. 1 or FIG. 2; the rear, left side, and right side elevational views are identical.

FIG. 4 is a top plan view of the oil lamp of either FIG. 1 or FIG. 2; and,

FIG. 5 is a bottom plan view of the oil lamp of either FIG. 1 or FIG. 2.

The broken lines in the figures are for illustrative purposes only and form no part of the claimed design. In FIG. 4, the area within the broken line represents a wick, which forms no part of the claimed design. In FIG. 5, the area within the broken line represents a support region of the oil lamp, and forms no part of the claimed design.

1 Claim, 3 Drawing Sheets



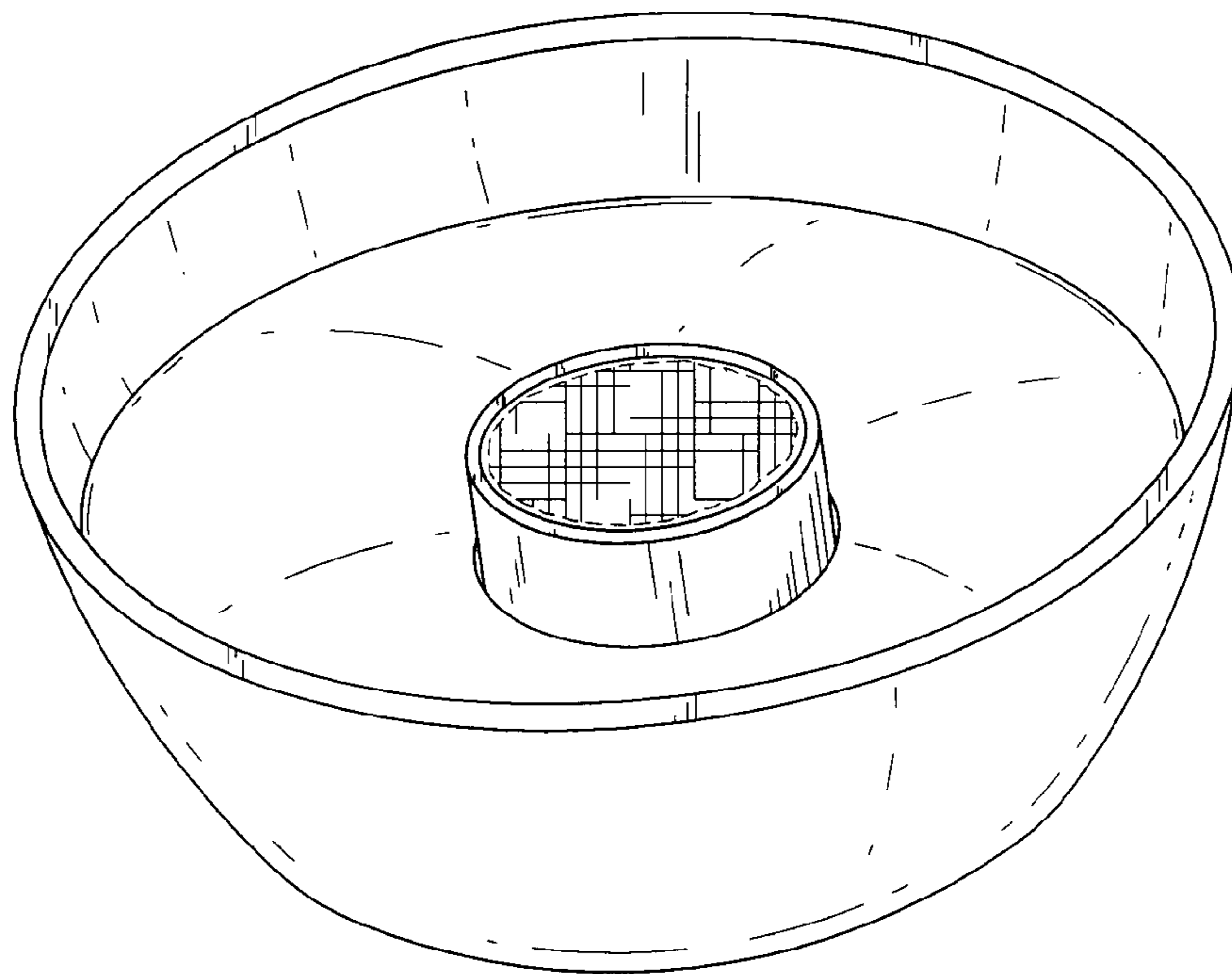


FIG. 1

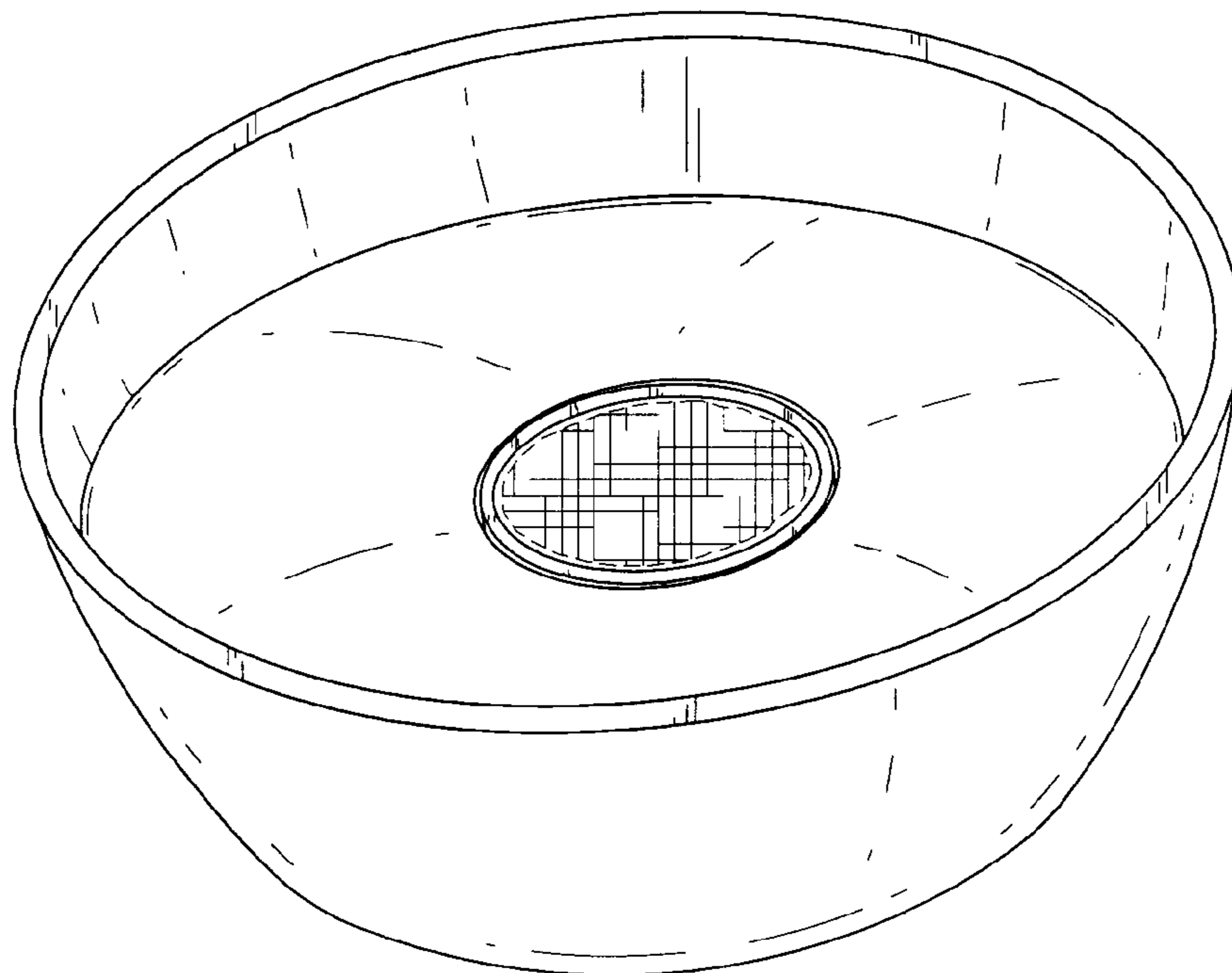


FIG. 2

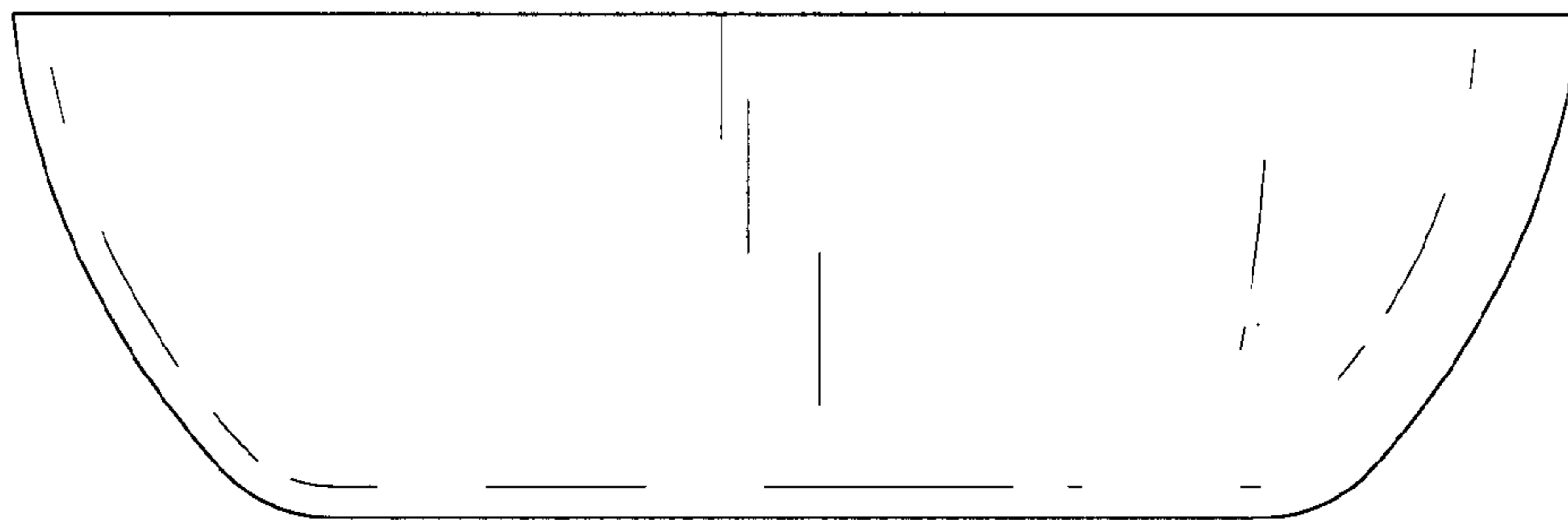


FIG. 3

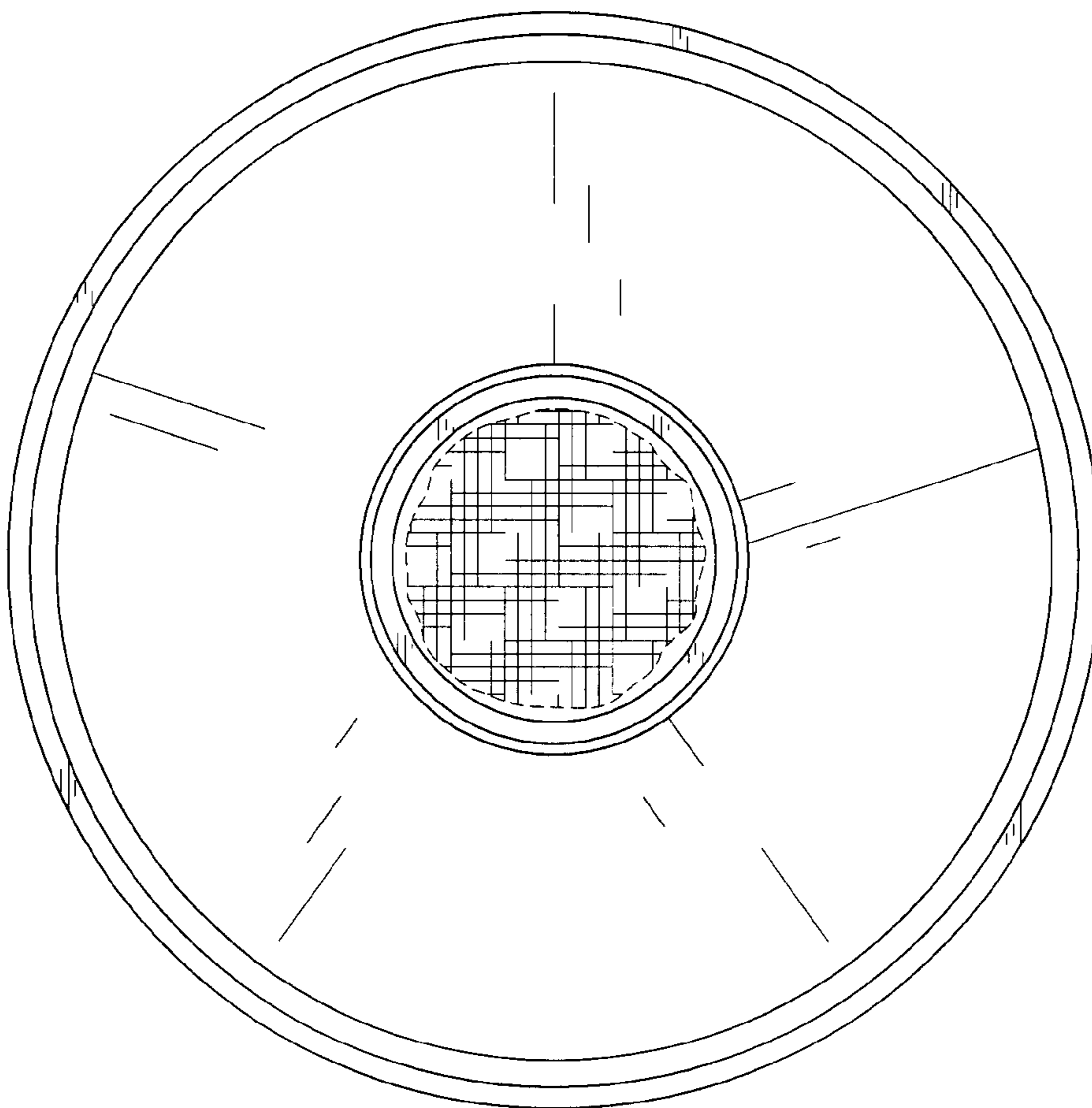


FIG. 4

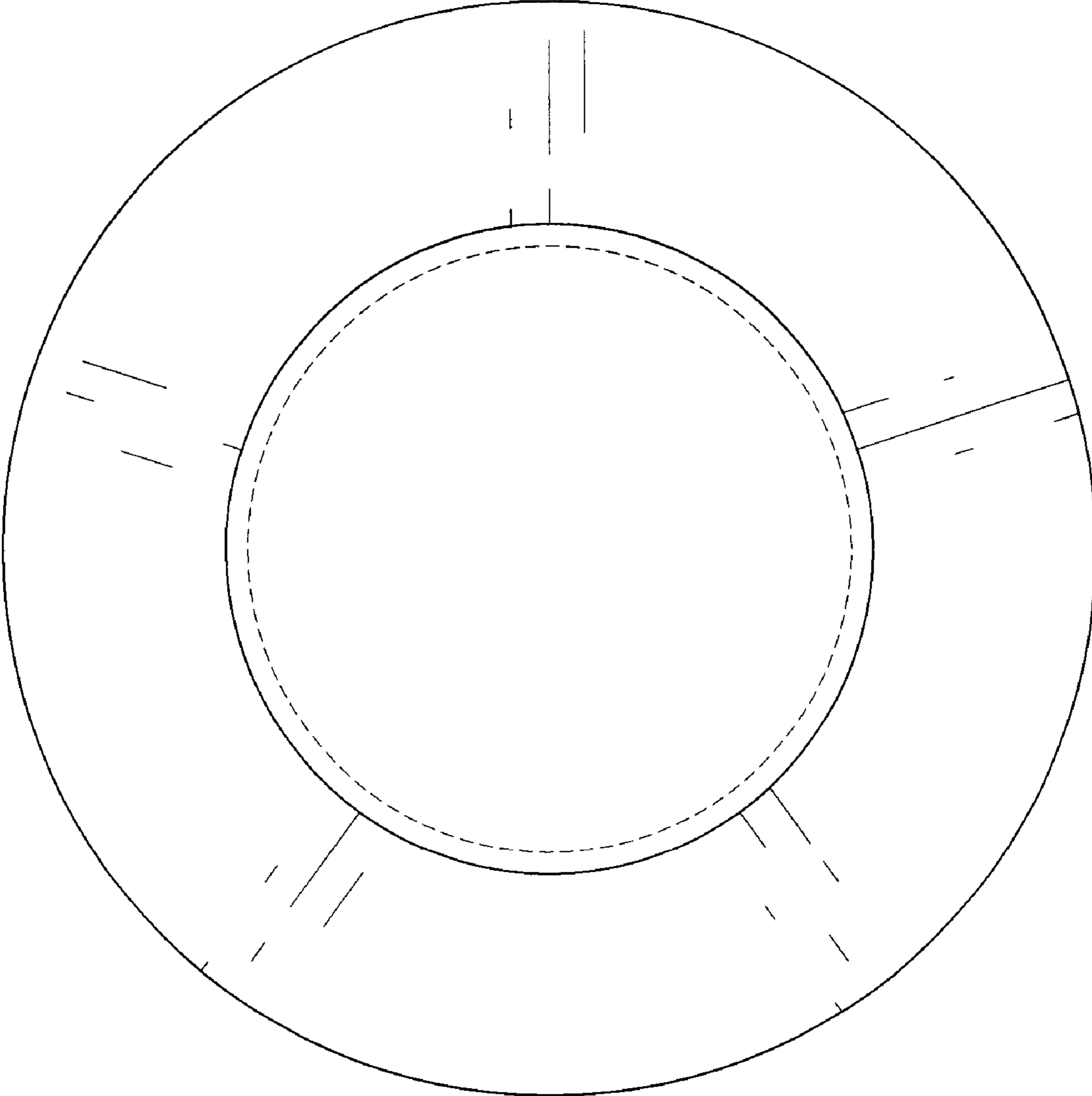


FIG. 5