

US00D527107S

(12) **United States Design Patent**
Baker et al.

(10) **Patent No.:** **US D527,107 S**

(45) **Date of Patent:** **** Aug. 22, 2006**

(54) **HALOGENLATED AGENTS DETECTOR**

5,826,575 A * 10/1998 Lall 128/205.27
5,850,833 A * 12/1998 Kotliar 128/205.12
6,799,573 B1 * 10/2004 Bonner 128/205.27

(75) Inventors: **Jeff Baker**, Pewaukee, WI (US); **Dave Donars**, New Berlin, WI (US)

* cited by examiner

(73) Assignee: **Smiths Medical PM, Inc.**, Waukesha, WI (US)

Primary Examiner—Louis S. Zarfaz

Assistant Examiner—Daniel Yu

(**) Term: **14 Years**

(74) *Attorney, Agent, or Firm*—Louis Woo

(21) Appl. No.: **29/214,030**

(57) **CLAIM**

(22) Filed: **Sep. 28, 2004**

The ornamental design for halogenlated agents detector, as shown and described.

(51) **LOC (8) Cl.** **24-04**

DESCRIPTION

(52) **U.S. Cl.** **D24/164**

(58) **Field of Classification Search** D24/162,
D24/164; 210/348, 445, 446, 448, 497.01;
D10/81; 128/204.22, 205.12, 205.27, 205.28
See application file for complete search history.

FIG. 1 is a front view of a halogenlated agents detector;
FIG. 2 is a perspective bottom view thereof;
FIG. 3 is a right side view thereof;
FIG. 4 is a left side view thereof;
FIG. 5 is a back view thereof;
FIG. 6 is a top view thereof; and,
FIG. 7 is a bottom view thereof.

(56) **References Cited**

U.S. PATENT DOCUMENTS

4,108,172 A * 8/1978 Moore, Jr. 128/205.12
4,465,485 A * 8/1984 Kashmer et al. 128/205.12
5,109,838 A * 5/1992 Elam 128/205.12

The broken line showing is for illustrative purposes only and forms no part of the claimed design.

1 Claim, 3 Drawing Sheets

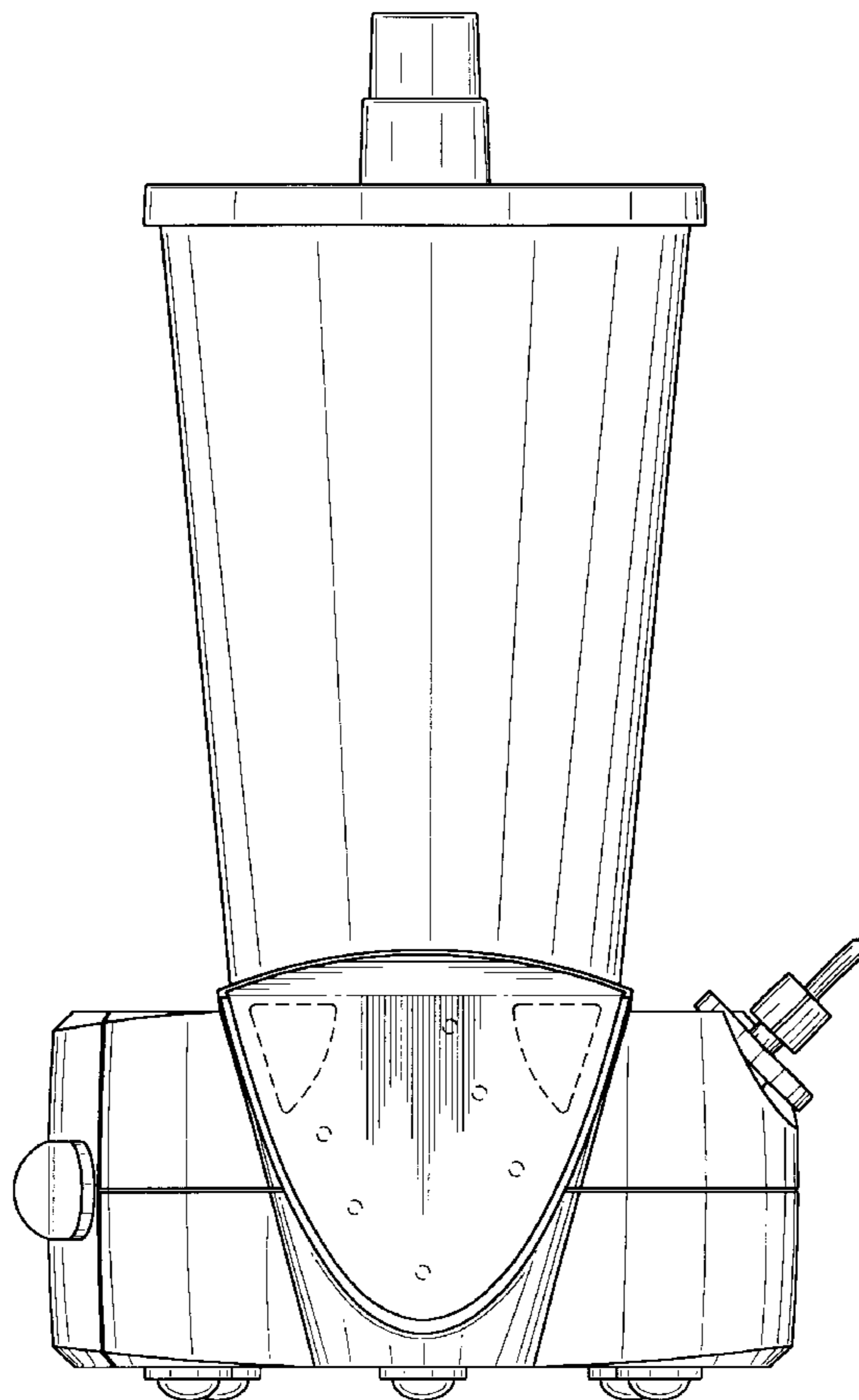


FIG.2

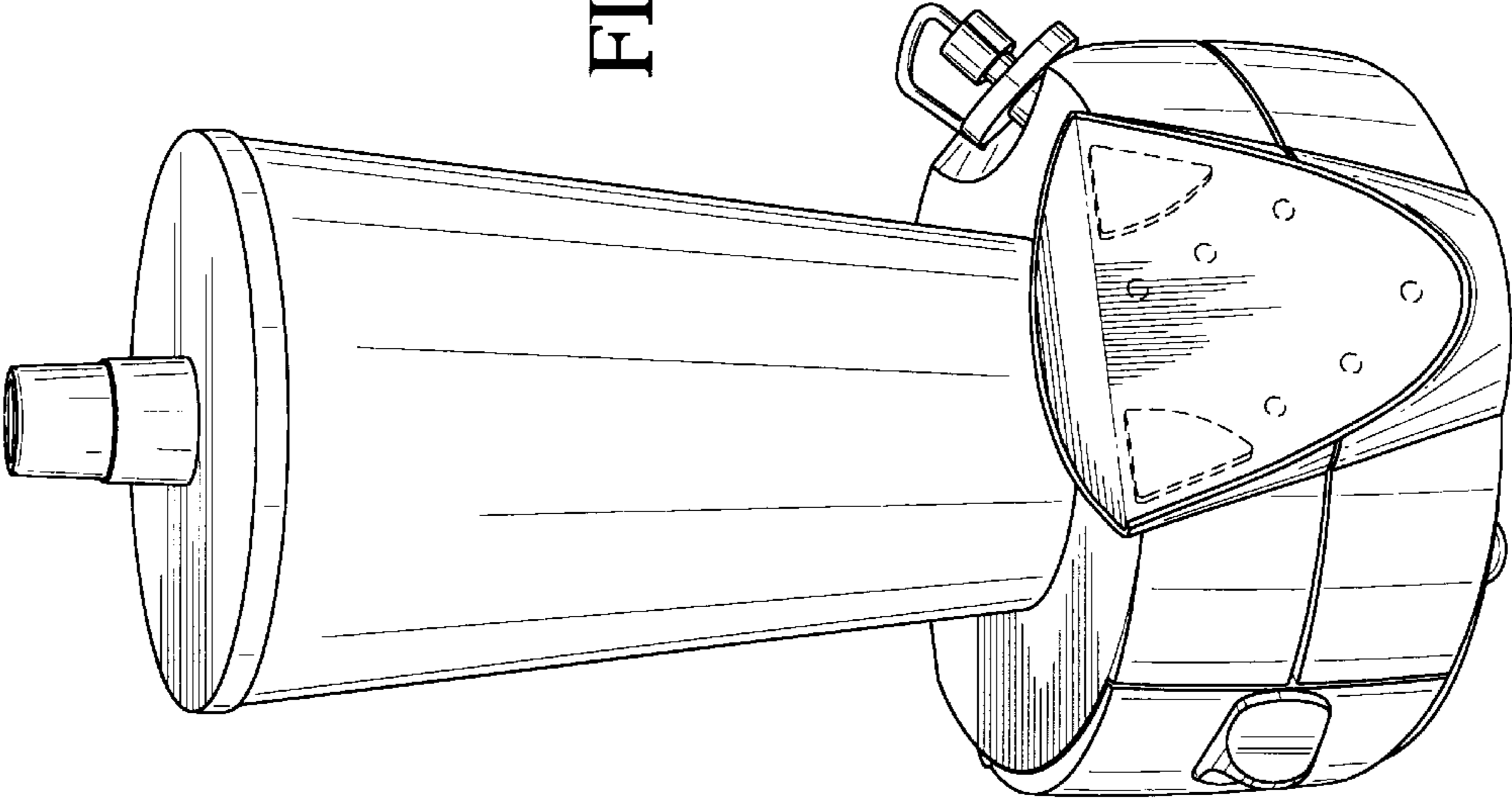
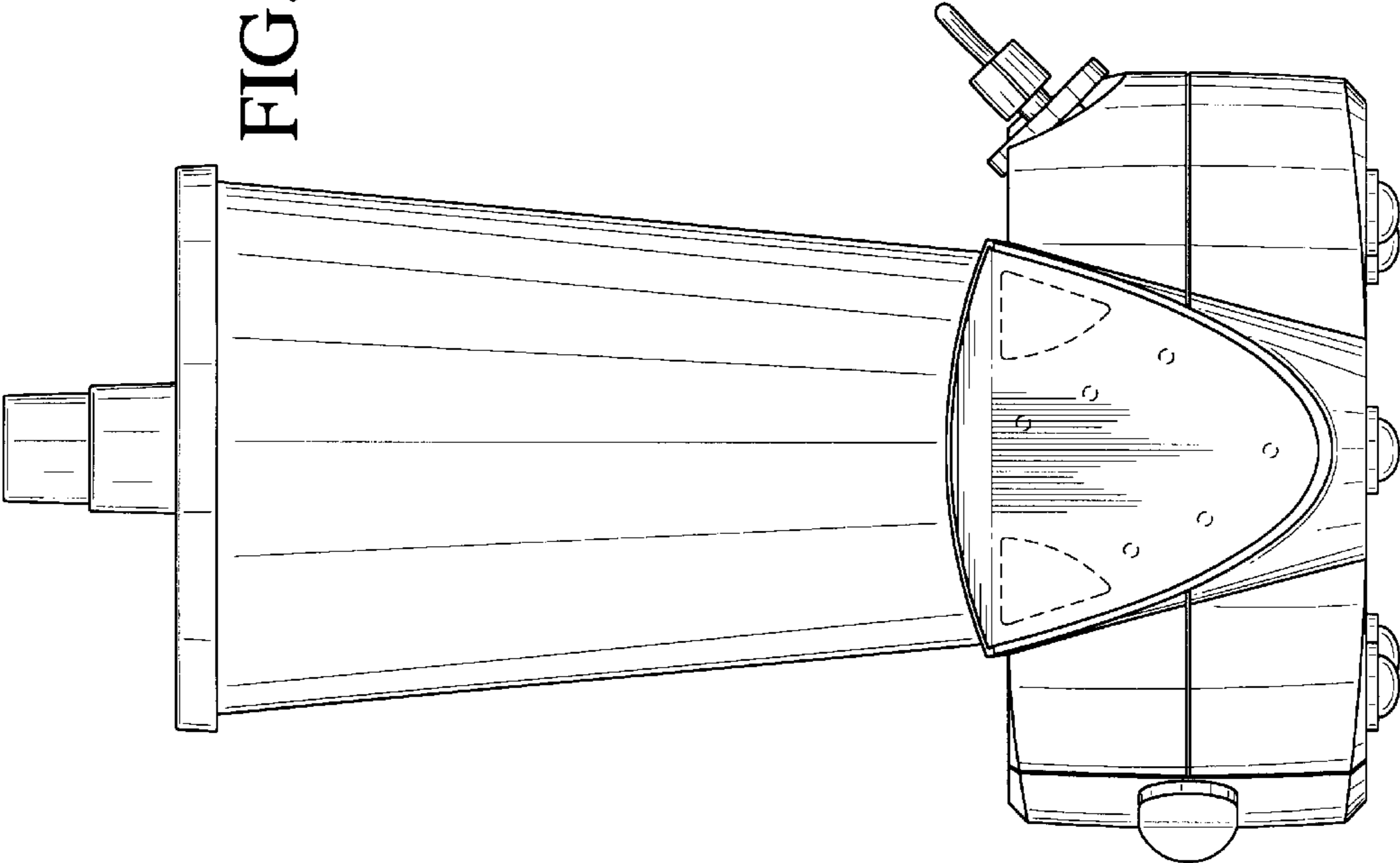


FIG.1



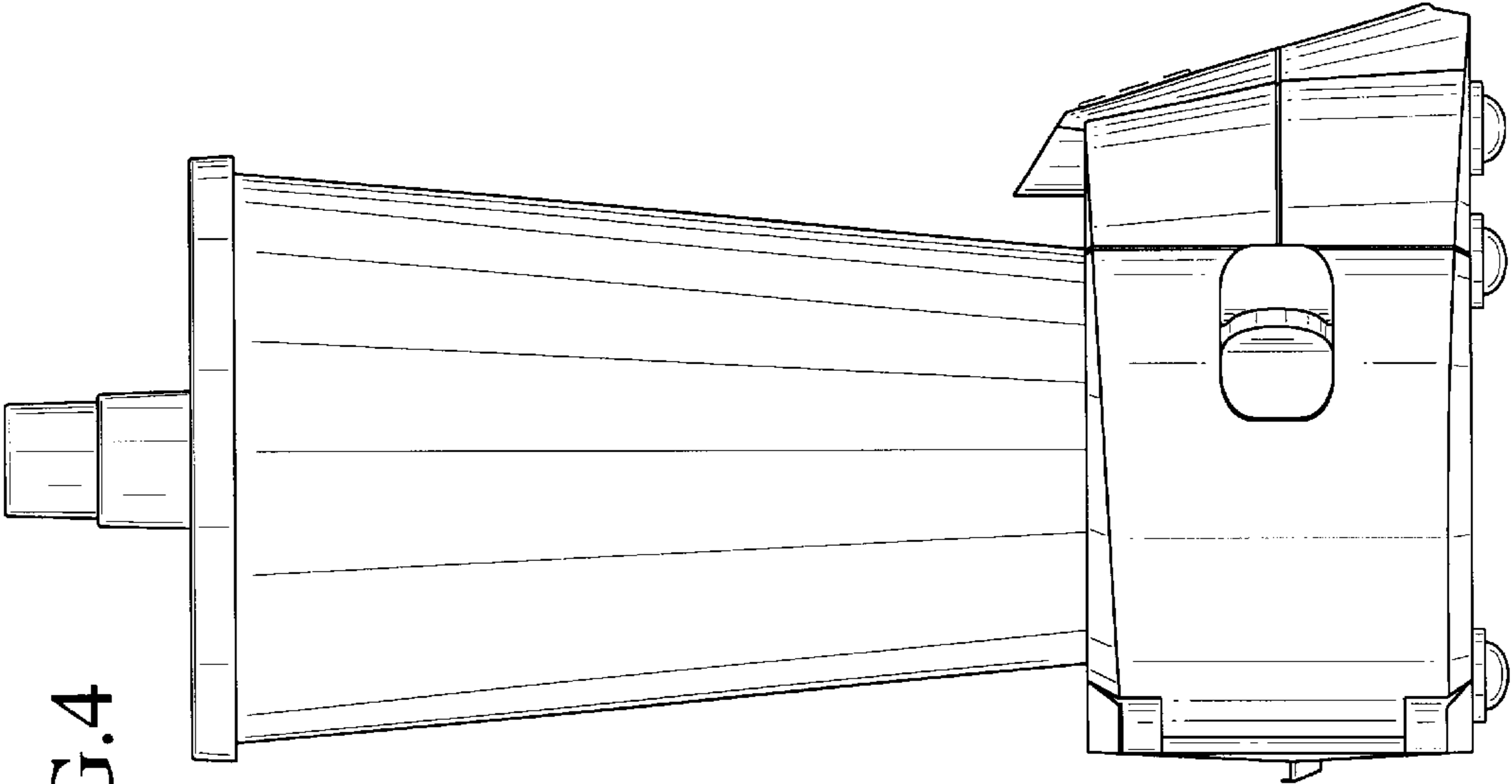


FIG. 4

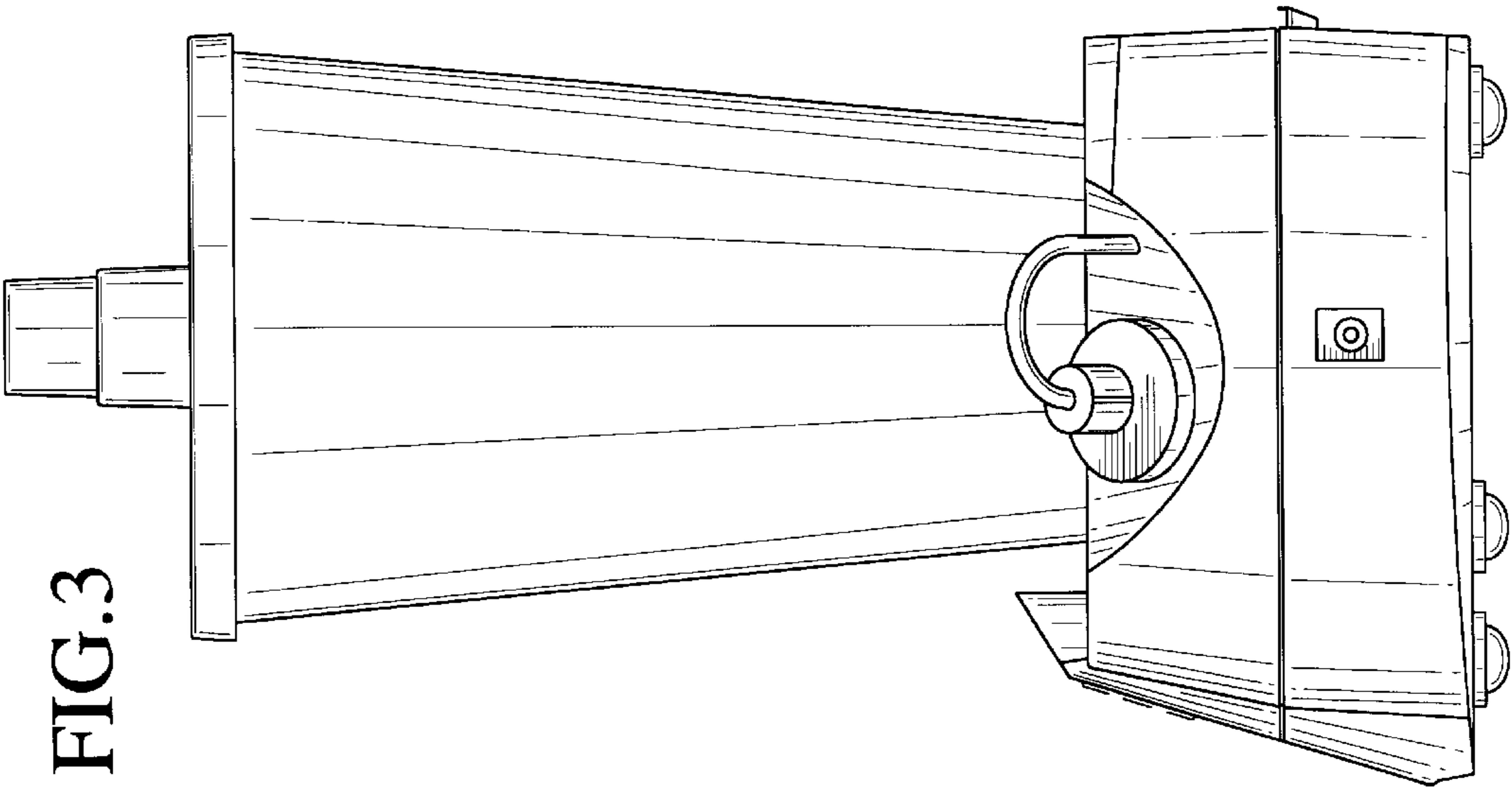


FIG. 3

FIG.6

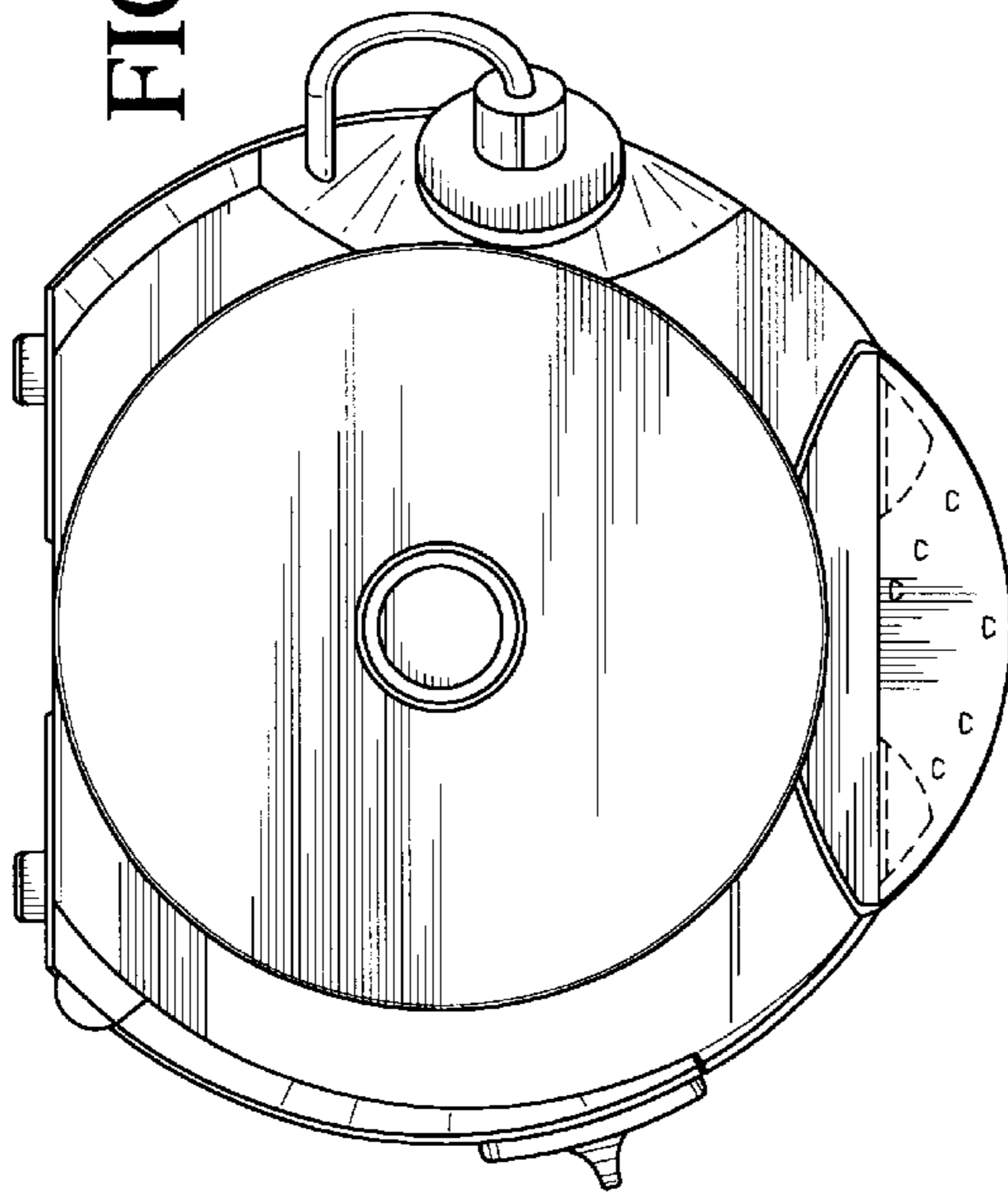


FIG.7

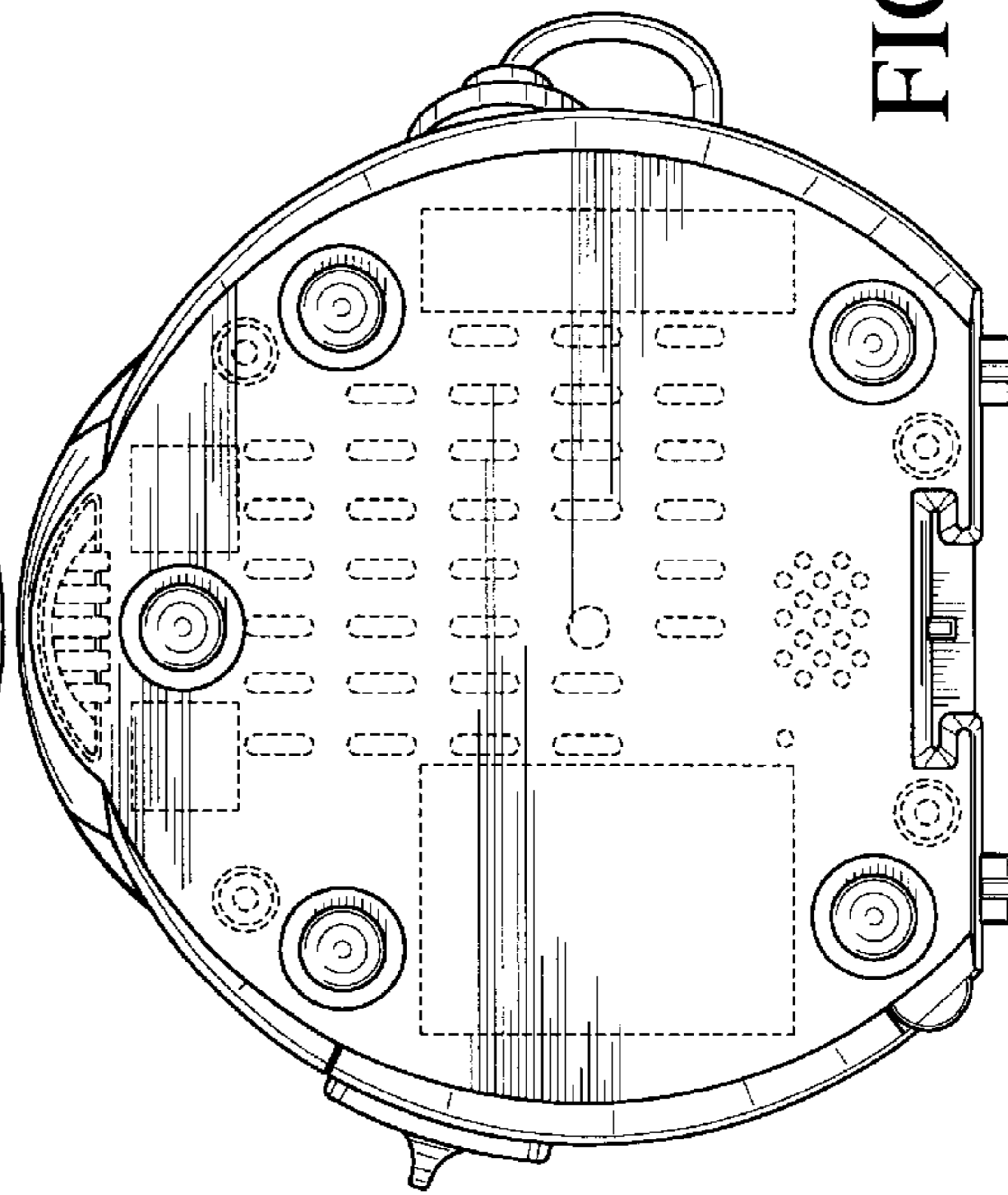


FIG.5

