

US00D527106S

(12) **United States Design Patent**  
**Baker et al.**

(10) **Patent No.:** **US D527,106 S**

(45) **Date of Patent:** **\*\* Aug. 22, 2006**

(54) **DETECTOR BASE**

5,826,575 A \* 10/1998 Lall ..... 128/205.12

(75) Inventors: **Jeff Baker**, Pewaukee, WI (US); **Dave Donars**, New Berlin, WI (US)

\* cited by examiner

*Primary Examiner*—Louis S. Zarfes

*Assistant Examiner*—Daniel Yu

(73) Assignee: **Smiths Medical PM, Inc.**, Mauresha, WI (US)

(74) *Attorney, Agent, or Firm*—Louis Woo

(\*\*) Term: **14 Years**

(57) **CLAIM**

The ornamental design for a detector base, as shown and described.

(21) Appl. No.: **29/214,005**

(22) Filed: **Sep. 28, 2004**

**DESCRIPTION**

(51) **LOC (8) Cl.** ..... **24-04**

FIG. 1 is a front view of a detector base;

FIG. 2 is a right side view thereof;

(52) **U.S. Cl.** ..... **D24/164**

FIG. 3 is a left side view thereof;

(58) **Field of Classification Search** ..... D24/162,

FIG. 4 is a back view thereof;

D24/164; 210/348, 445, 446, 448, 497.01;

FIG. 5 is a top left perspective view thereof;

D10/81; 128/204.22, 205.12, 205.27, 205.28

FIG. 6 is a top right perspective view thereof;

See application file for complete search history.

FIG. 7 is a top view thereof; and,

FIG. 8 is a bottom view thereof.

(56) **References Cited**

The broken line showing is for illustrative purposes only and forms no part of the claimed design.

**U.S. PATENT DOCUMENTS**

5,109,838 A \* 5/1992 Elam ..... 128/205.12

**1 Claim, 2 Drawing Sheets**

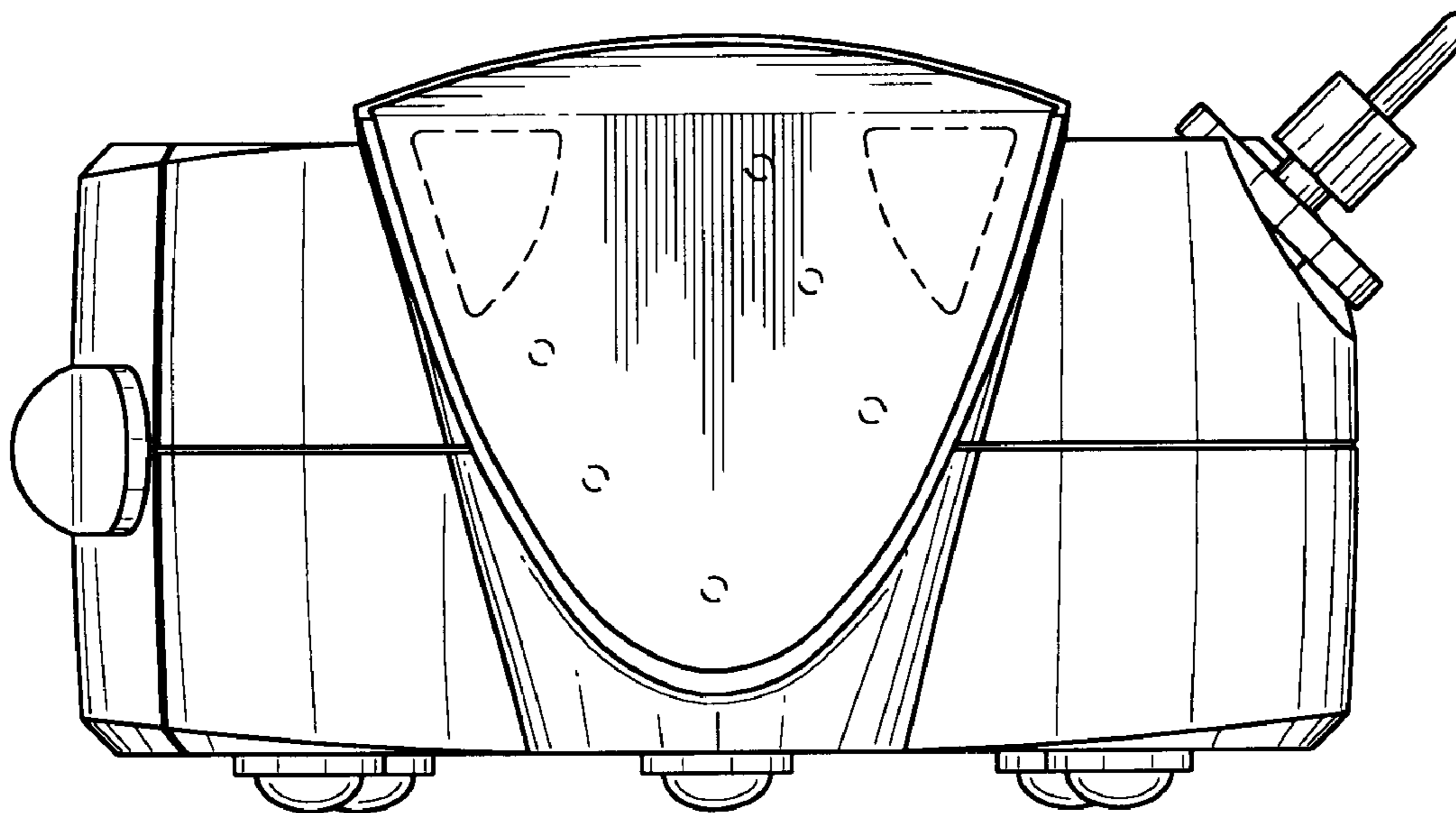


FIG.3

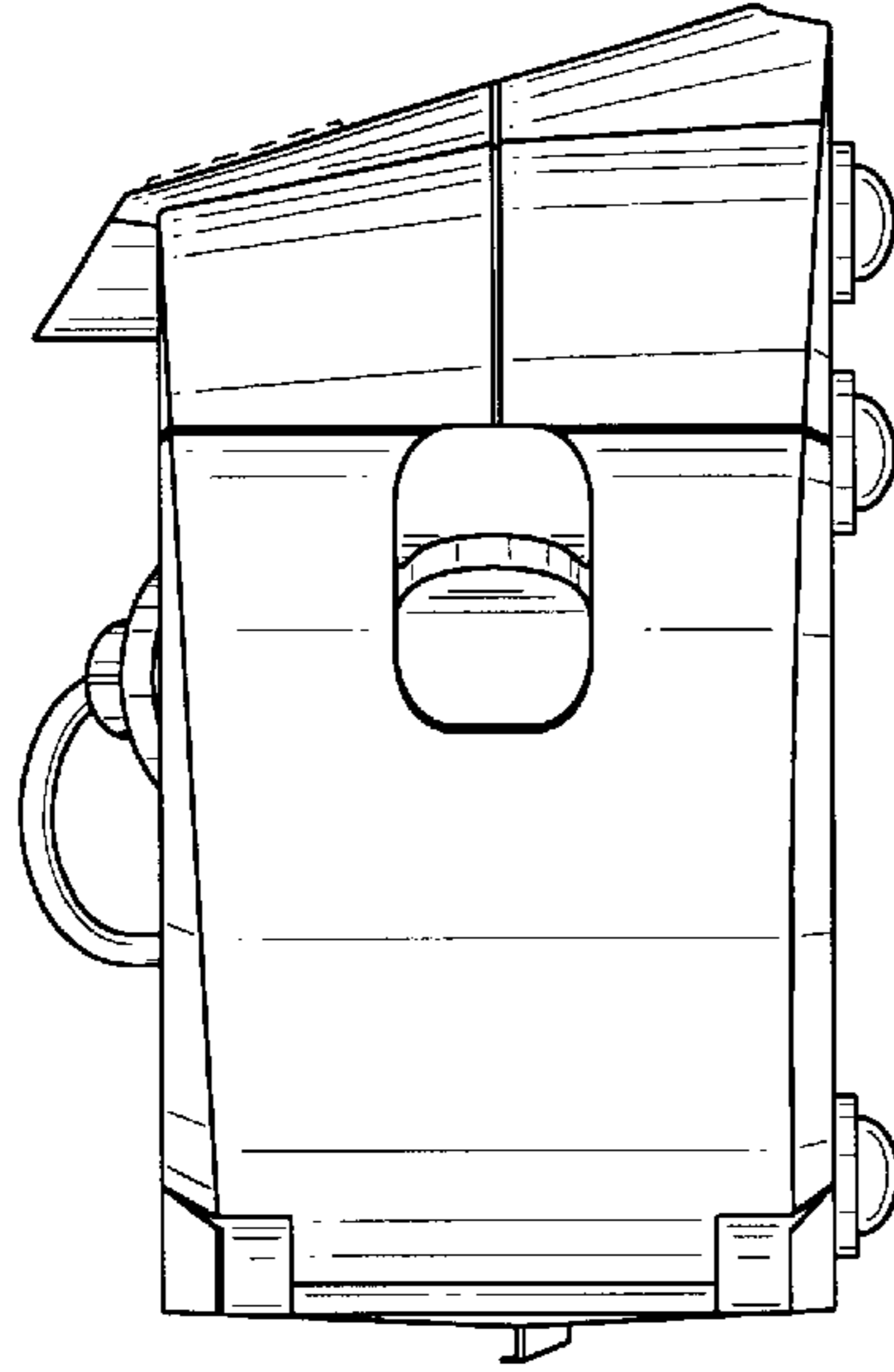


FIG.4

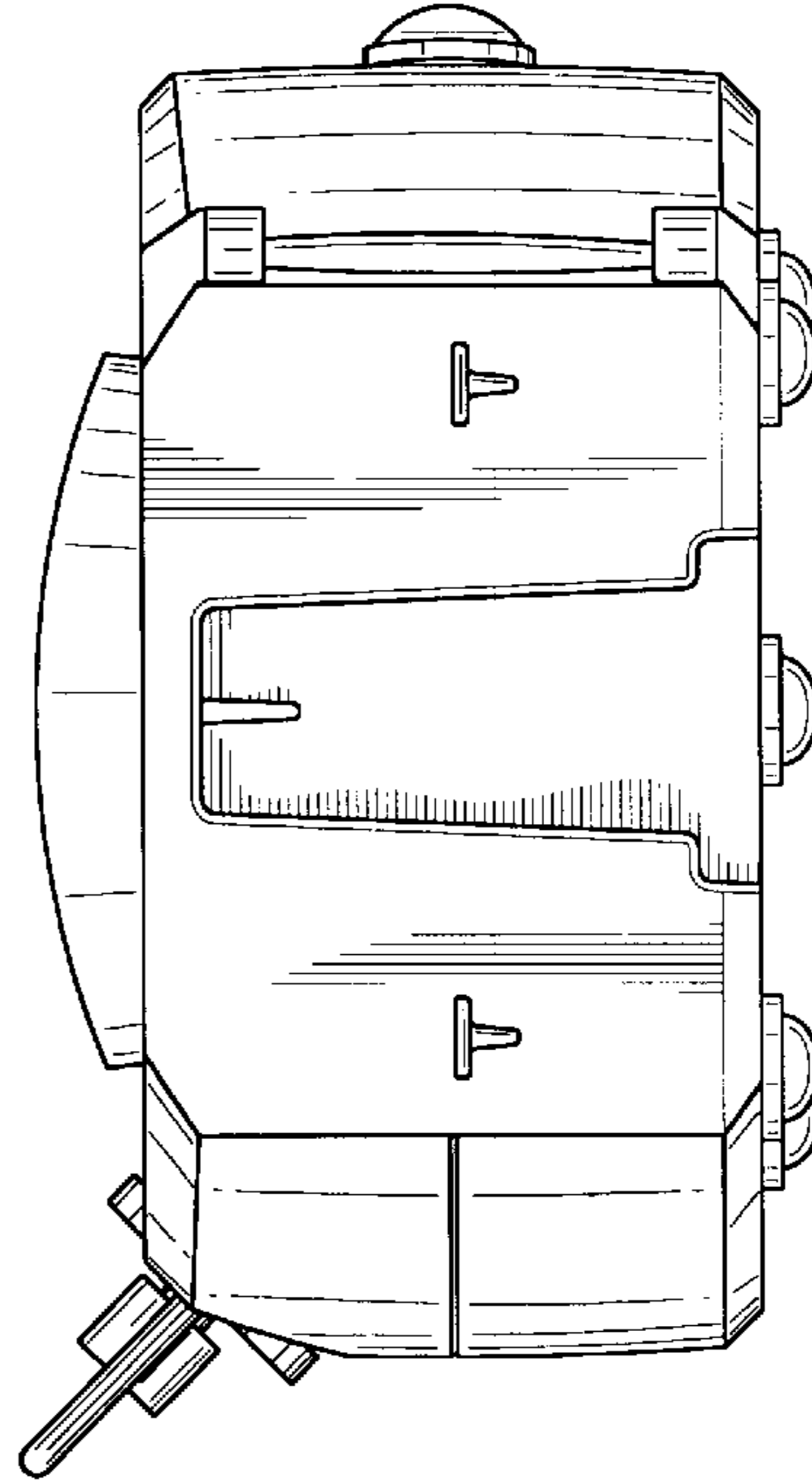


FIG.1

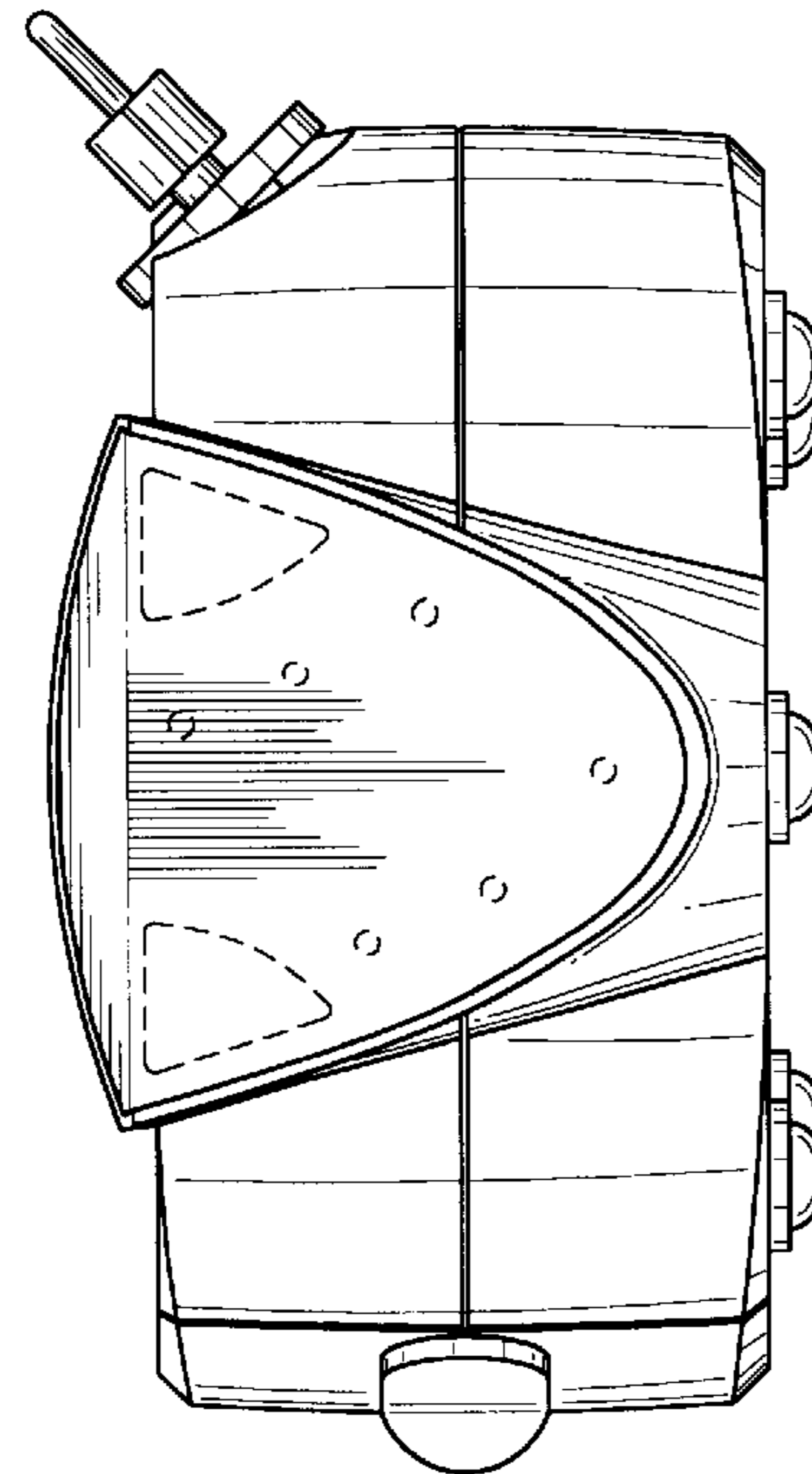


FIG.2

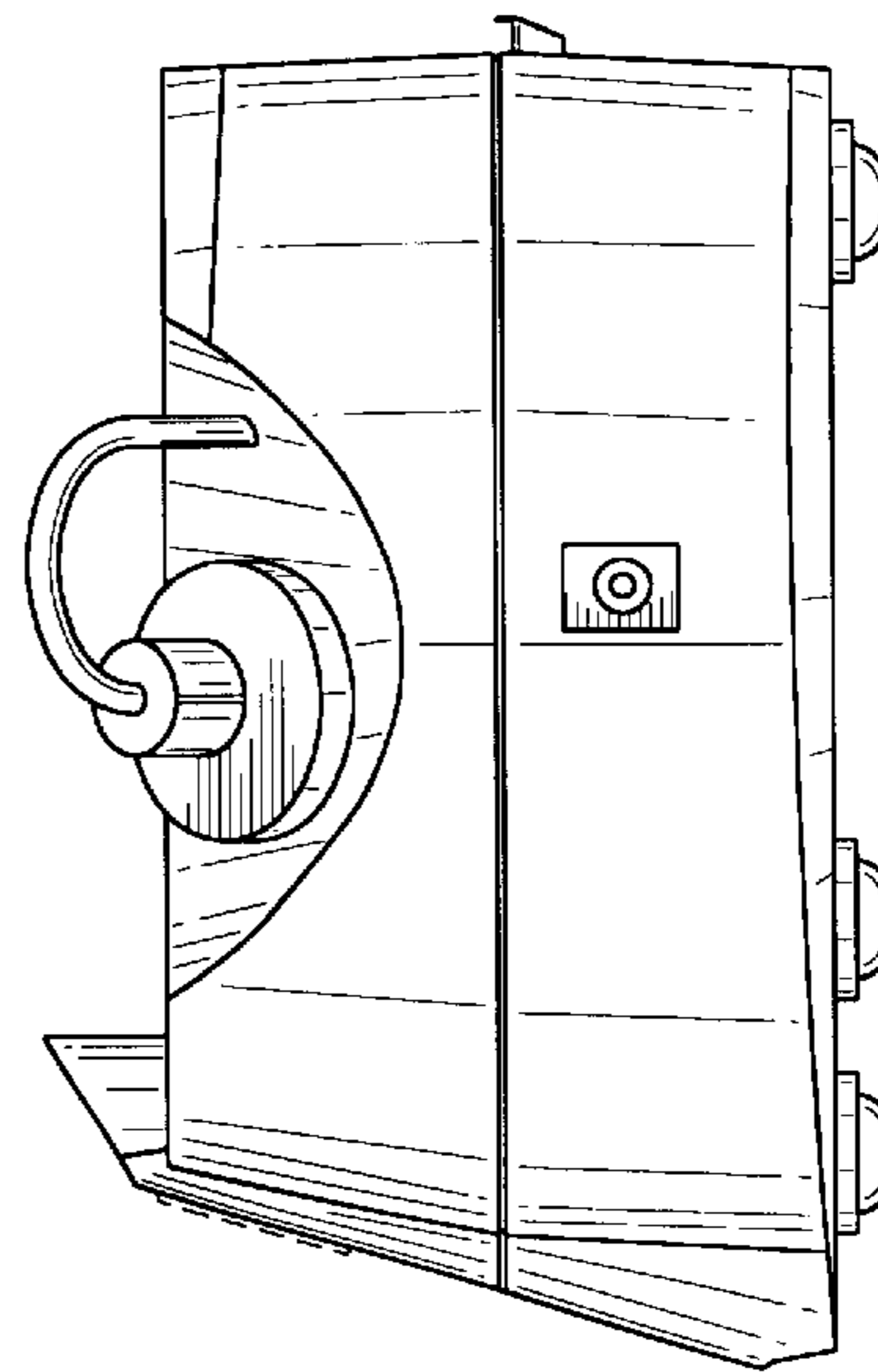


FIG.7

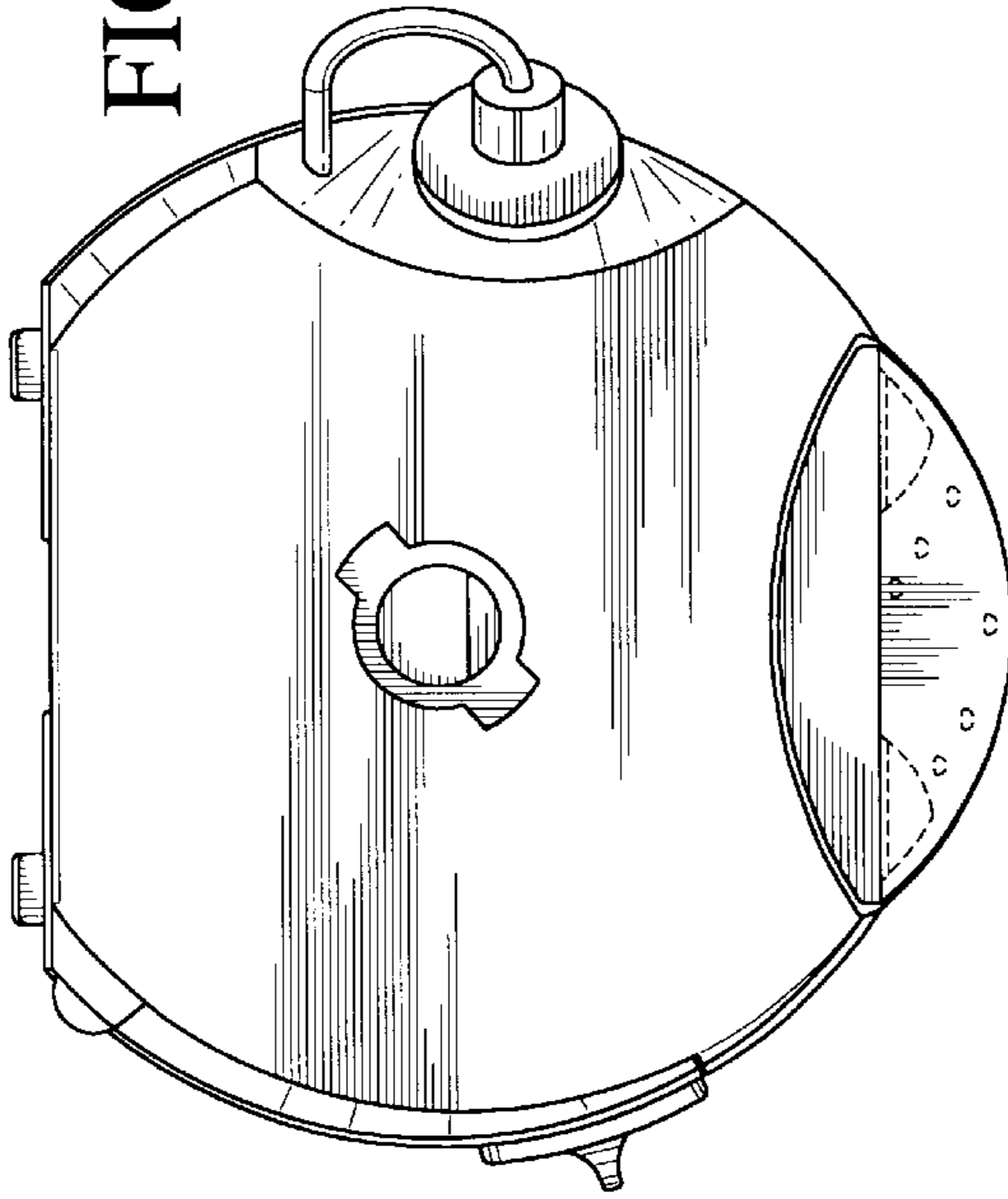


FIG.8

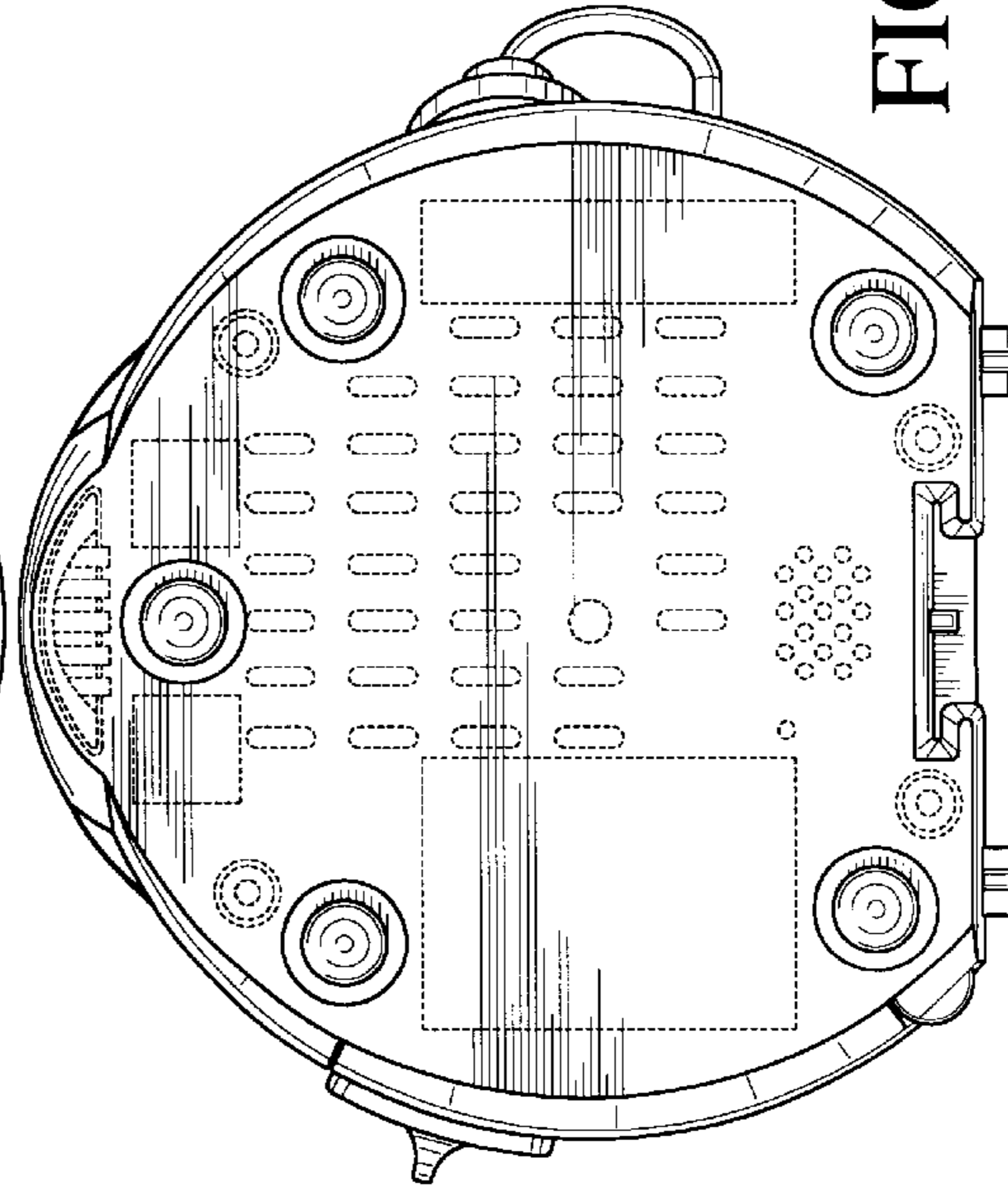


FIG.5

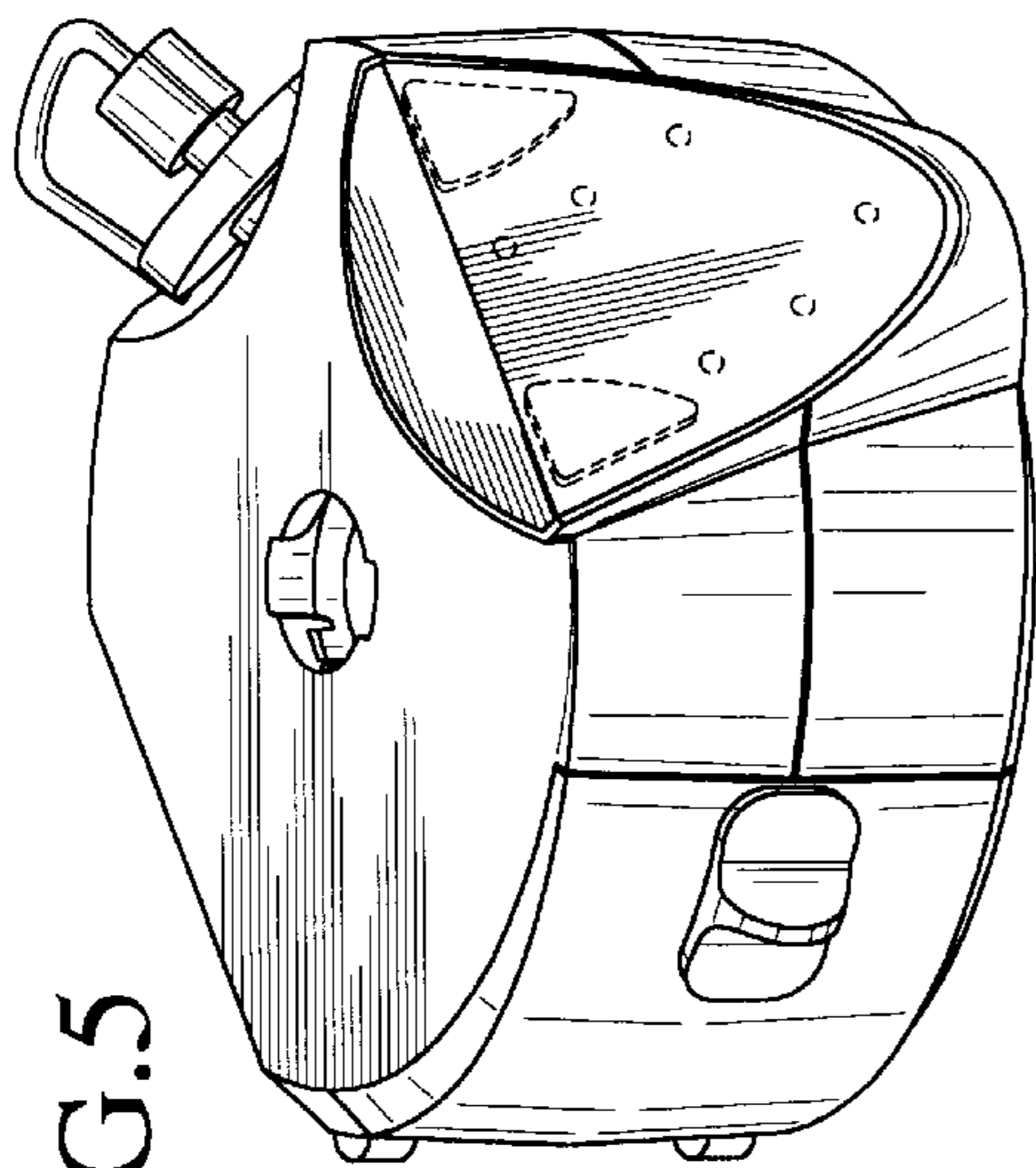


FIG.6

