



US00D527105S

(12) **United States Design Patent**
Kitayama et al.

(10) **Patent No.:** **US D527,105 S**

(45) **Date of Patent:** **** Aug. 22, 2006**

(54) **SCANNER FOR X-RAY TOMOGRAPHY
DIAGNOSIS APPARATUS WITH A NUCLEAR
MEDICAL DIAGNOSTIC IMAGING
APPARATUS**

6,898,263 B1 * 5/2005 Avinash et al. 378/4

FOREIGN PATENT DOCUMENTS

JP	971818	1/1997
JP	1041164	6/1999
JP	1066784	4/2000
JP	1067895	4/2000

(75) Inventors: **Masahiko Kitayama**, Mitaka (JP);
Shigeru Usuda, Moka (JP)

OTHER PUBLICATIONS

(73) Assignees: **Kabushiki Kaisha Toshiba** (JP);
Toshiba Medical Systems Corporation
(JP)

“Discovery LS, PET-CT Imaging Scanner”, GE Medical
Systems, Dec. 26, 2003.

(**) Term: **14 Years**

* cited by examiner

(21) Appl. No.: **29/213,417**

Primary Examiner—Louis S. Zarfaz

(22) Filed: **Sep. 17, 2004**

Assistant Examiner—Daniel Yu

(30) **Foreign Application Priority Data**

(74) *Attorney, Agent, or Firm*—Banner & Witcoff, Ltd.

Apr. 7, 2004 (JP) 2004-010742

(51) **LOC (8) Cl.** **24-01**

(52) **U.S. Cl.** **D24/158**

(58) **Field of Classification Search** D24/158,
D24/159, 183; 378/4, 15, 17, 19, 20, 21–27
See application file for complete search history.

(57) **CLAIM**

The ornamental design for a scanner for x-ray tomography
diagnosis apparatus with a nuclear medical diagnostic imag-
ing apparatus, as shown and described.

DESCRIPTION

(56) **References Cited**

U.S. PATENT DOCUMENTS

D270,182 S	*	8/1983	Wagner	D24/159
D323,386 S	*	1/1992	Perusek	D24/159
D345,606 S	*	3/1994	Perusek	D24/159
D364,927 S	*	12/1995	Murakami et al.	D24/159
D399,958 S		10/1998	Hiramatsu		
D414,868 S	*	10/1999	Baars	D24/158
D417,734 S	*	12/1999	Benders	D24/158
D420,134 S		2/2000	Kitayama		

FIG. 1 is a front, top and left side perspective view of a
scanner for x-ray tomography diagnosis apparatus with a
nuclear medical diagnostic imaging apparatus, showing our
new design;

FIG. 2 is a front elevational view thereof; the opposite side
being a mirror image thereof;

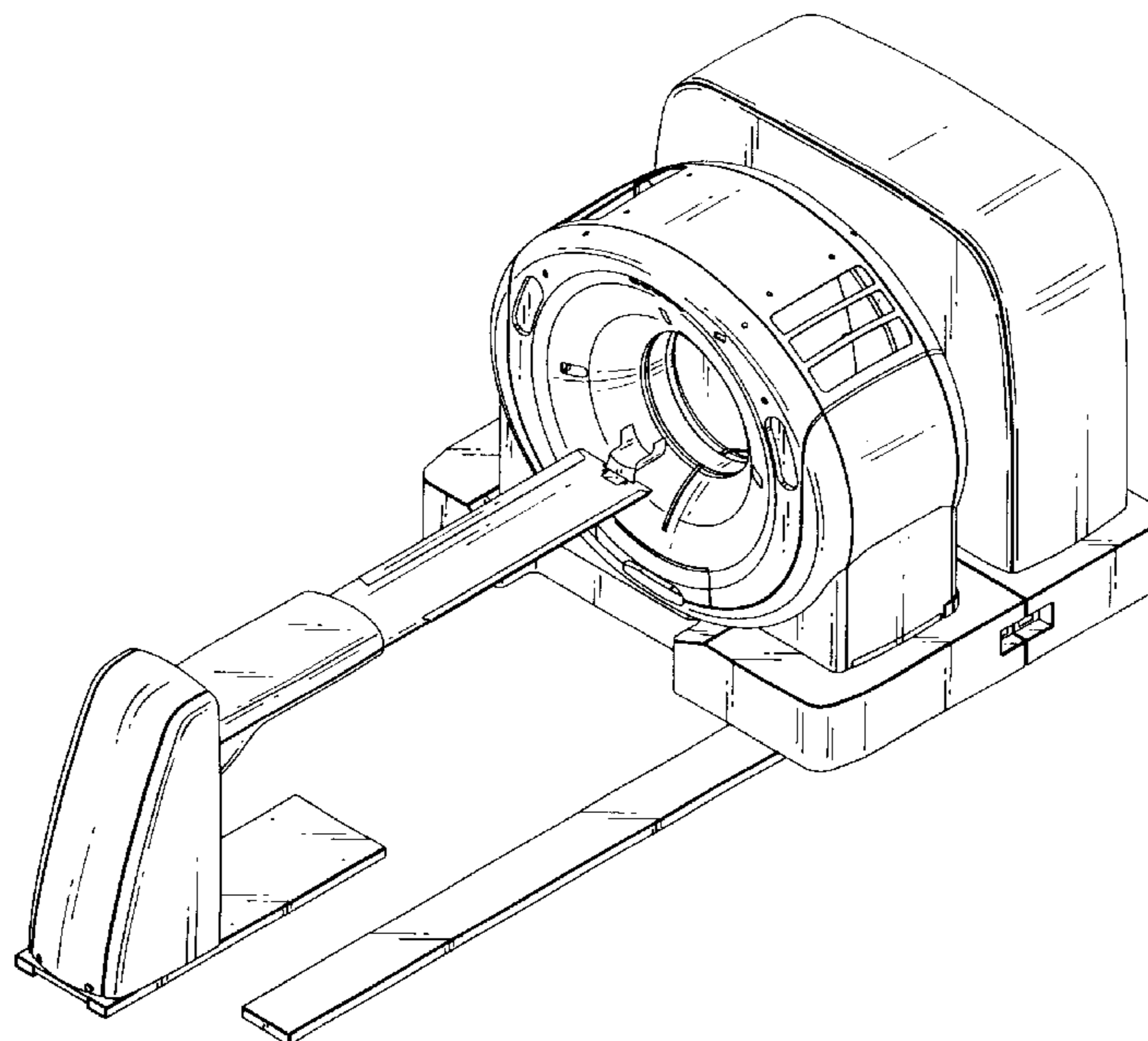
FIG. 3 is a top plan view thereof;

FIG. 4 is a bottom plan view thereof;

FIG. 5 is a left side elevational view thereof; and,

FIG. 6 is a right side elevational view thereof.

1 Claim, 2 Drawing Sheets



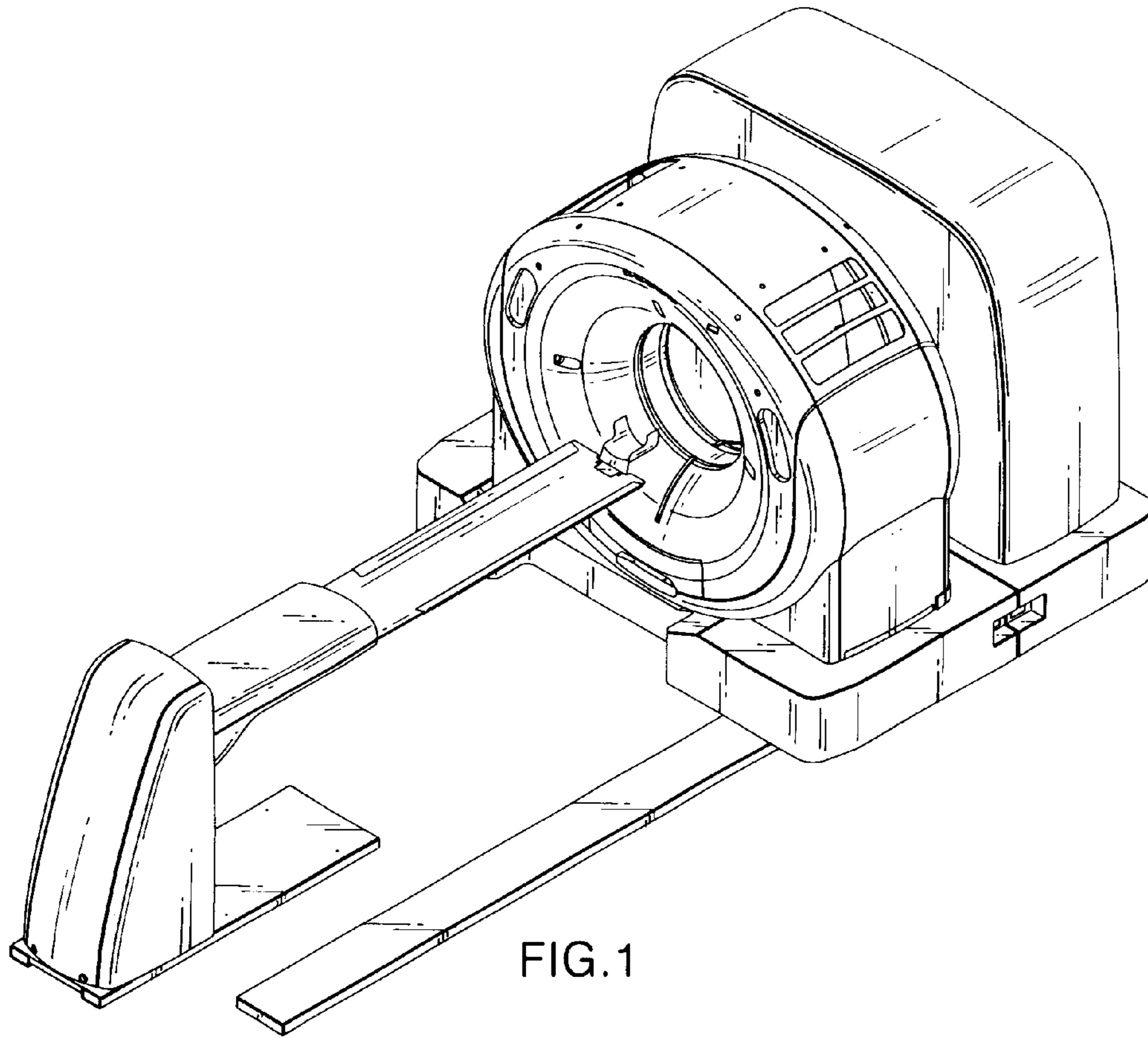


FIG. 1

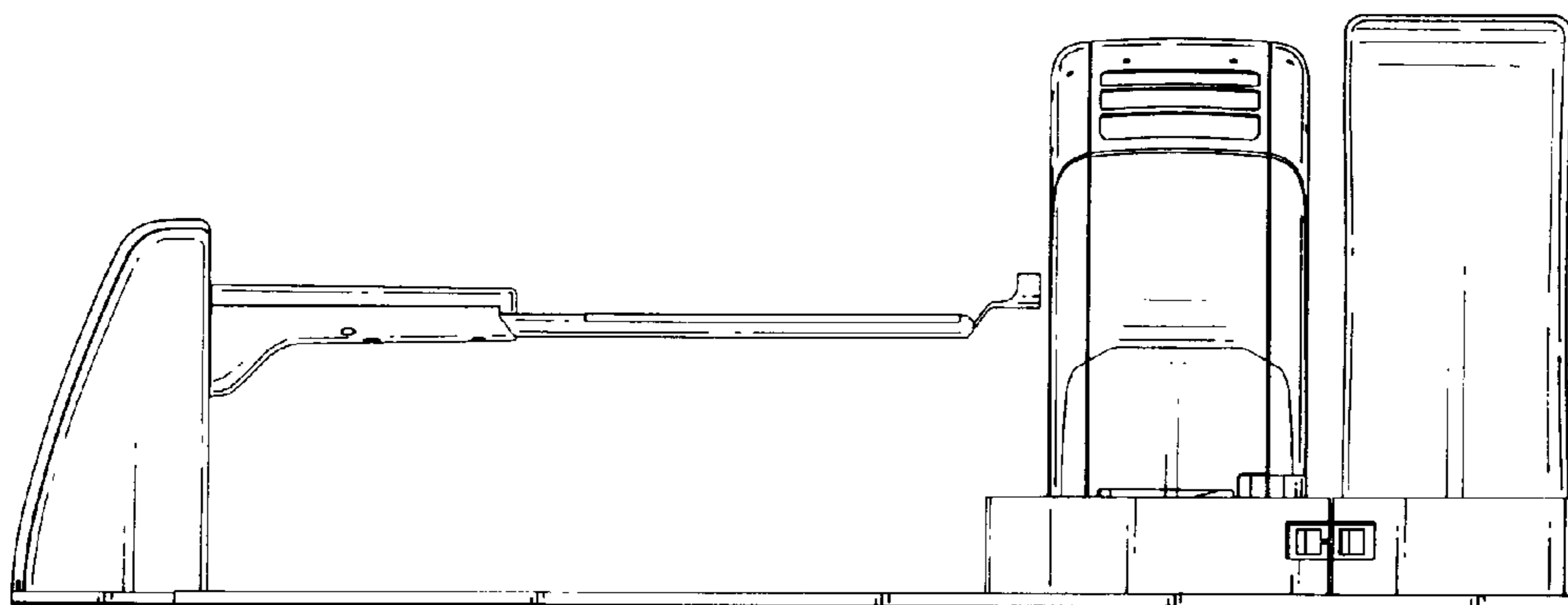


FIG. 2

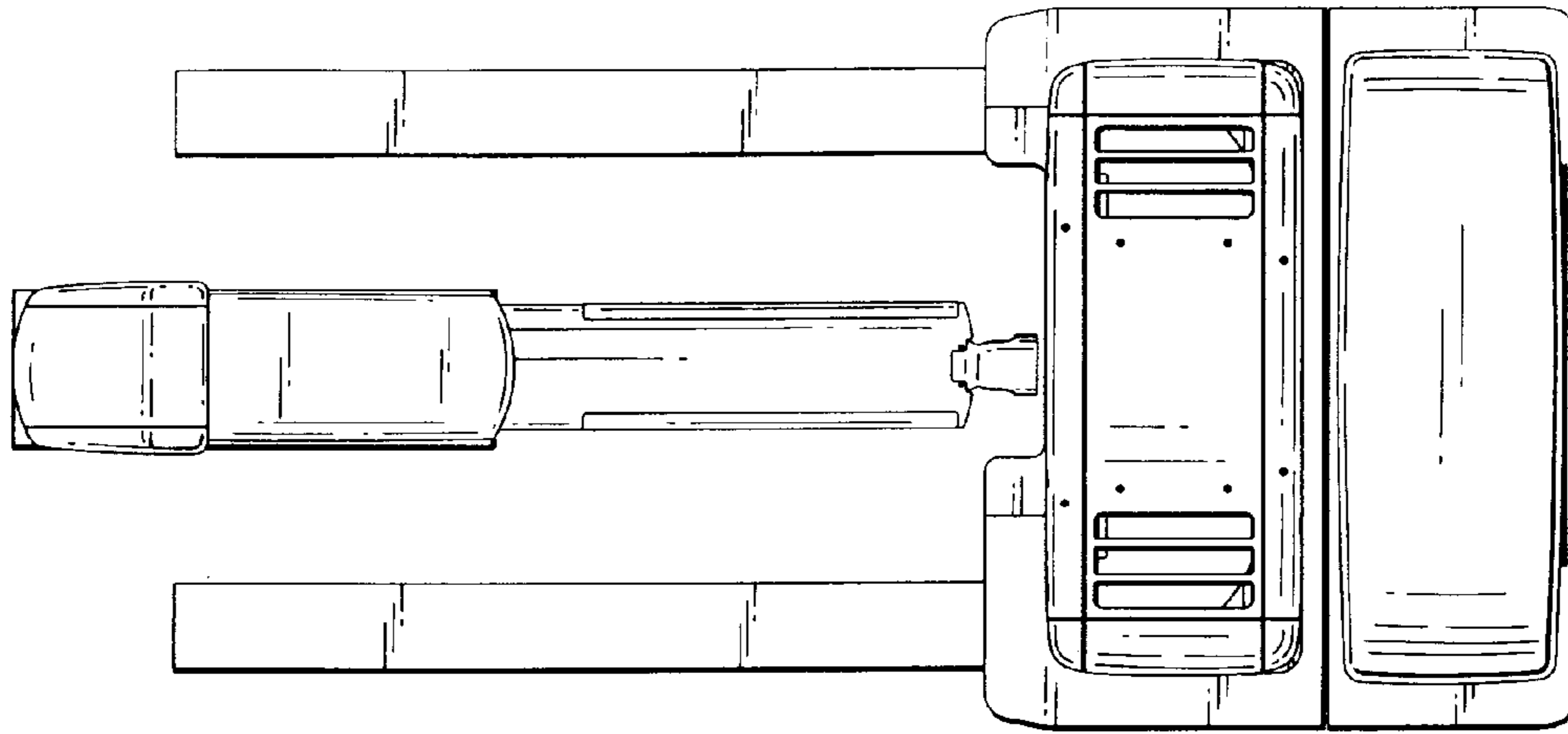


FIG. 3

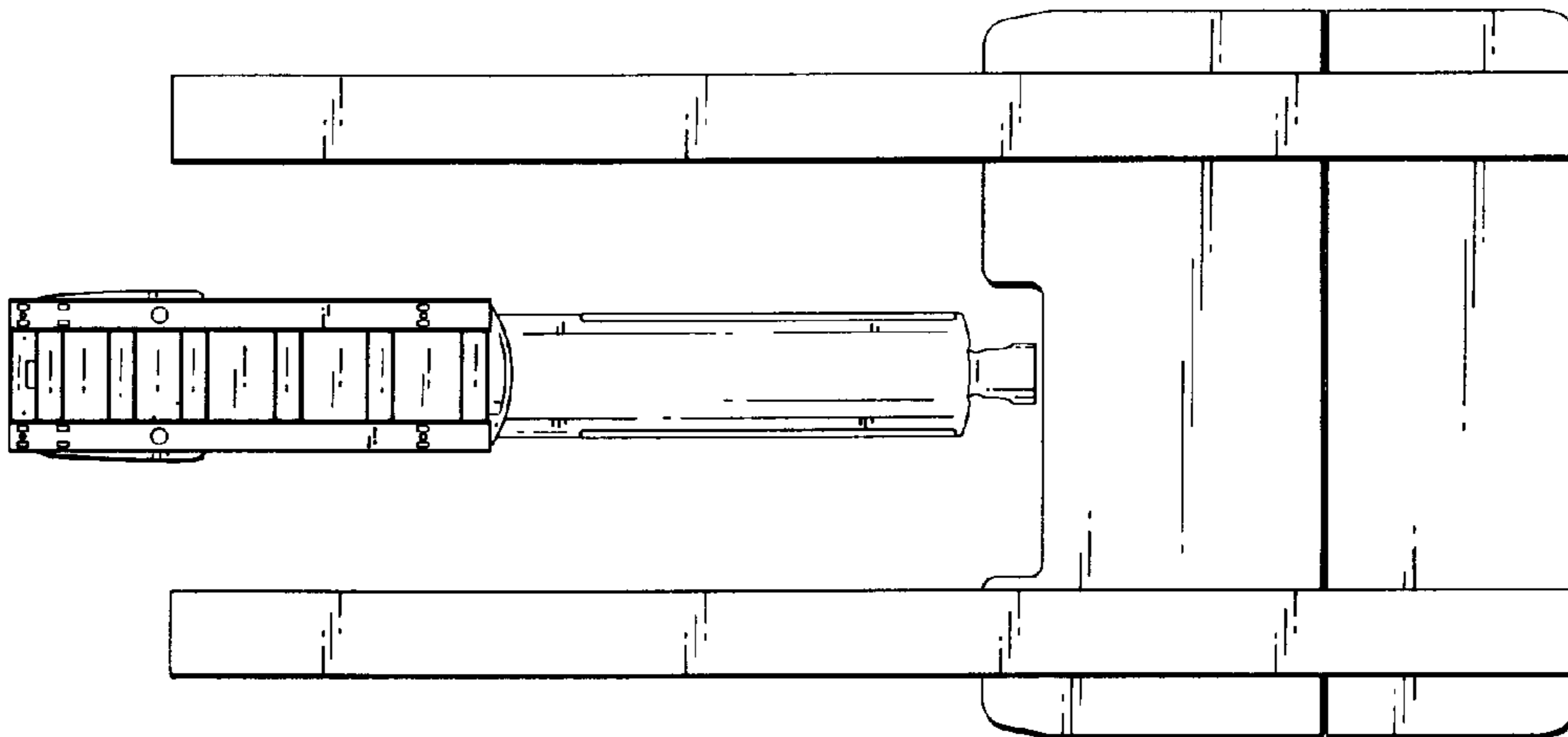


FIG. 4

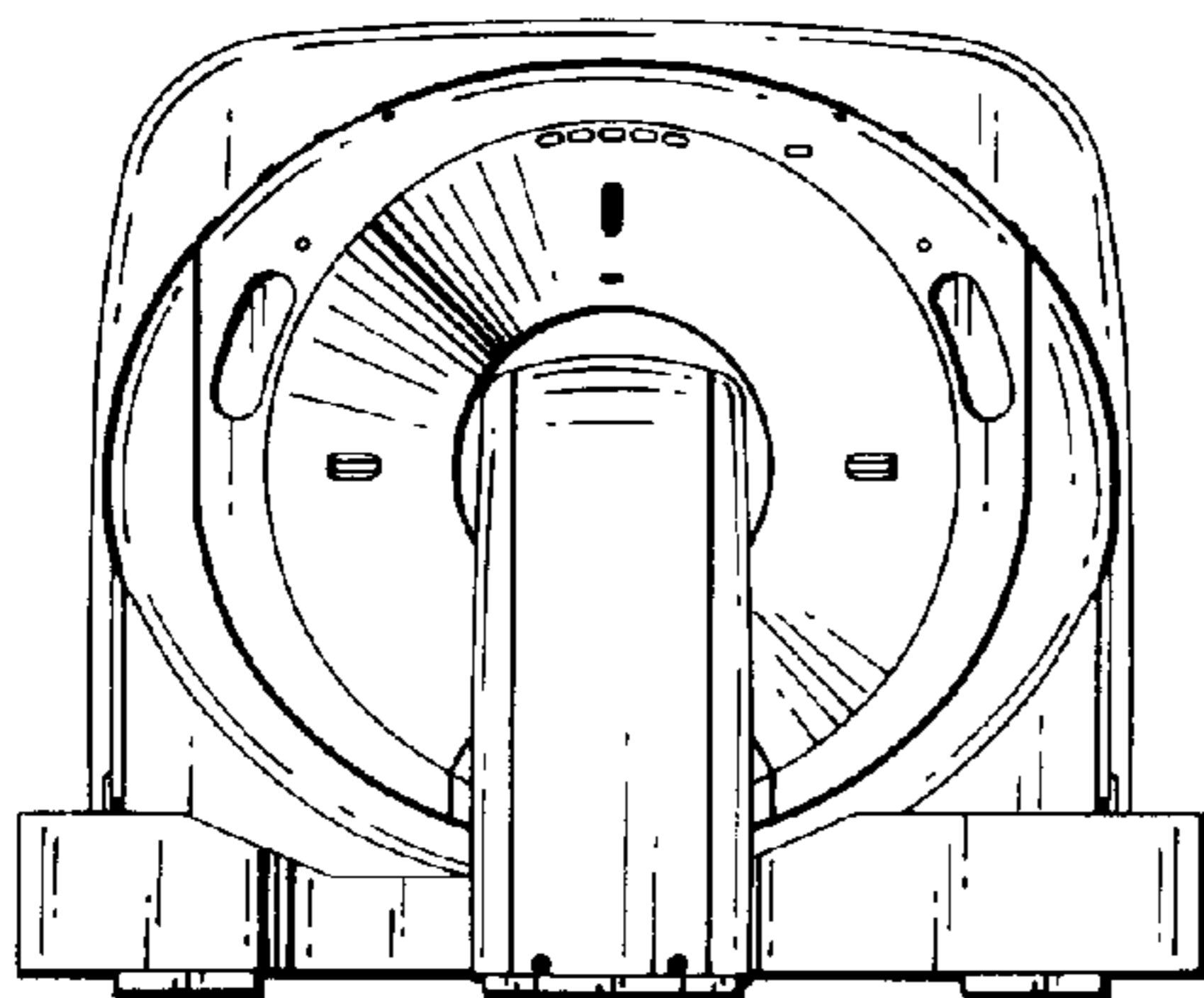


FIG. 5

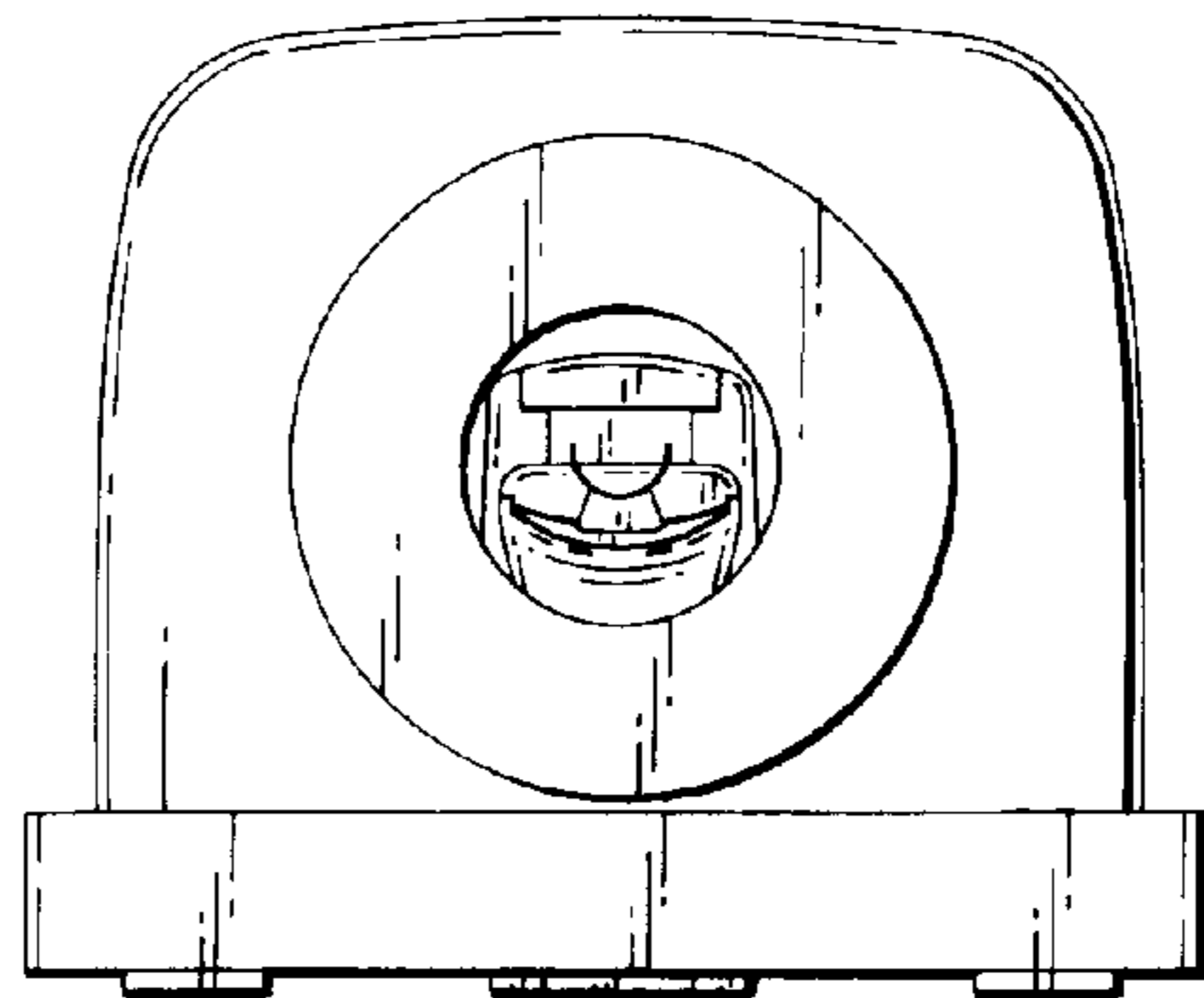


FIG. 6