



US00D527103S

(12) **United States Design Patent**
Nahavandi

(10) **Patent No.:** **US D527,103 S**
(45) **Date of Patent:** **** Aug. 22, 2006**

(54) **OXYGEN BOTTLE HOLDER**

D496,785 S 10/2004 Hussaini et al.

(75) Inventor: **Kurosh Nahavandi**, Portage, MI (US)

* cited by examiner

(73) Assignee: **Stryker Corporation**, Kalamazoo, MI (US)

Primary Examiner—Louis S. Zarfaz

Assistant Examiner—Daniel Yu

(**) Term: **14 Years**

(74) *Attorney, Agent, or Firm*—Flynn, Thiel, Boutell & Tanis, P.C.

(21) Appl. No.: **29/215,617**

(57) **CLAIM**

(22) Filed: **Oct. 21, 2004**

The ornamental design for an oxygen bottle holder, as shown and described.

(51) **LOC (8) Cl.** **24-04**

(52) **U.S. Cl.** **D24/128**

(58) **Field of Classification Search** D24/128,
D24/107, 110, 164, 230; D29/130; D3/202,
D3/229; 220/737; 224/250, 603, 258, 643,
224/644, 652, 656; 248/205.2; 128/200.24,
128/205.22; 5/503.1, 507.1

See application file for complete search history.

DESCRIPTION

(56) **References Cited**

U.S. PATENT DOCUMENTS

4,383,528	A	*	5/1983	Eppolito	128/205.22
4,979,659	A	*	12/1990	Boyd	128/205.22
D319,898	S	*	9/1991	Whitworth	D23/206
5,147,079	A	*	9/1992	Heather	224/148.6
5,259,372	A		11/1993	Gross et al.		
5,622,346	A	*	4/1997	Story, Jr.	248/205.2
D410,770	S		6/1999	Bergara		
D486,945	S		2/2004	Brock et al.		
D492,821	S		7/2004	Bergeron		

FIG. 1 is a perspective view of the oxygen bottle holder according to the invention.

FIG. 2 is a front elevational view of the oxygen bottle holder according to the invention.

FIG. 3 is a rear elevational view of the oxygen bottle holder according to the invention.

FIG. 4 is a left side elevational view of the oxygen bottle holder according to the invention.

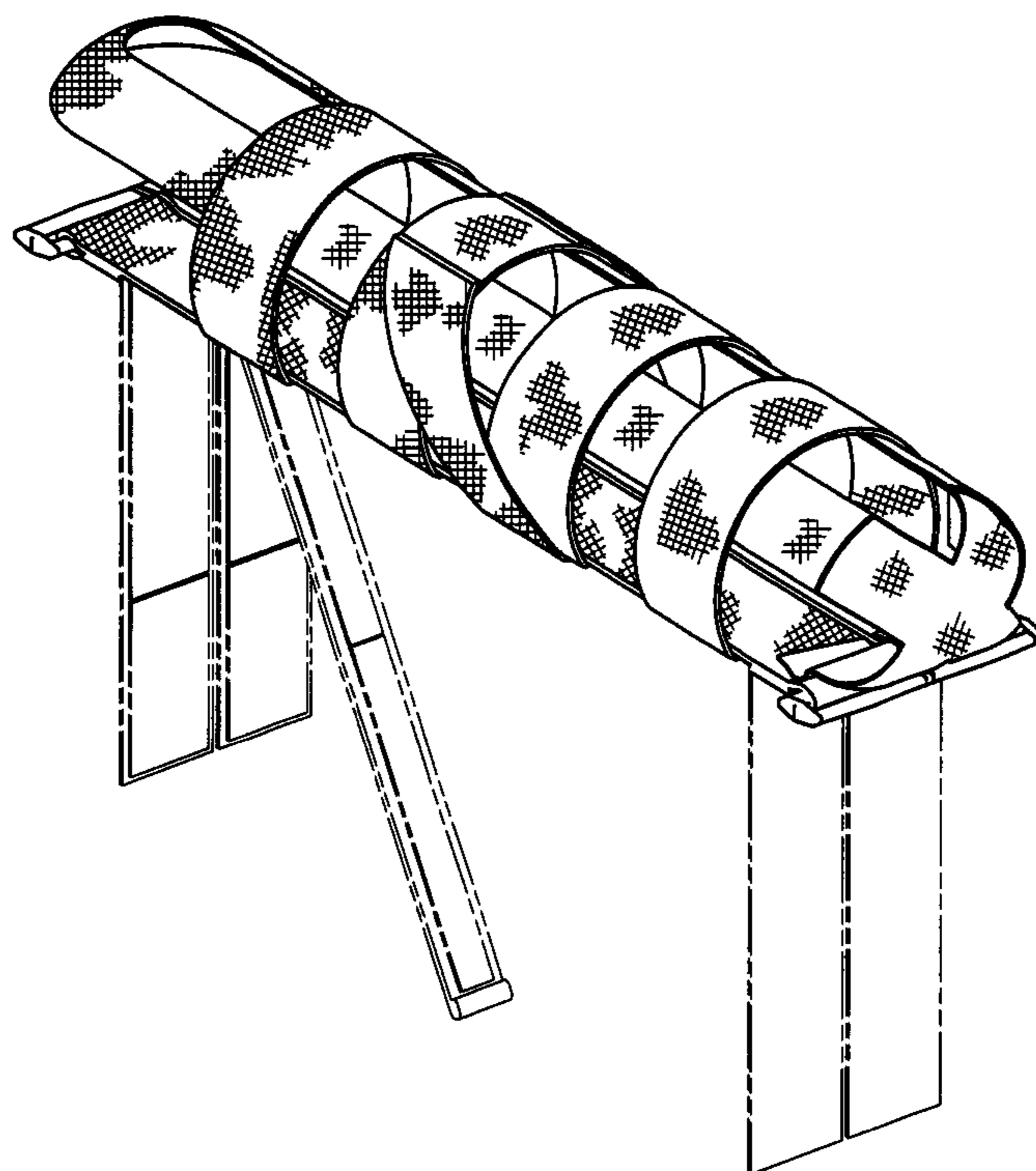
FIG. 5 is a right side elevational view of the oxygen bottle holder according to the invention.

FIG. 6 is a top plan view of the oxygen bottle holder according to the invention; and,

FIG. 7 is a bottom plan view of the oxygen bottle holder according to the invention.

The broken line showing of securement straps is for illustrative purposes only and form no part of the claimed design.

1 Claim, 6 Drawing Sheets



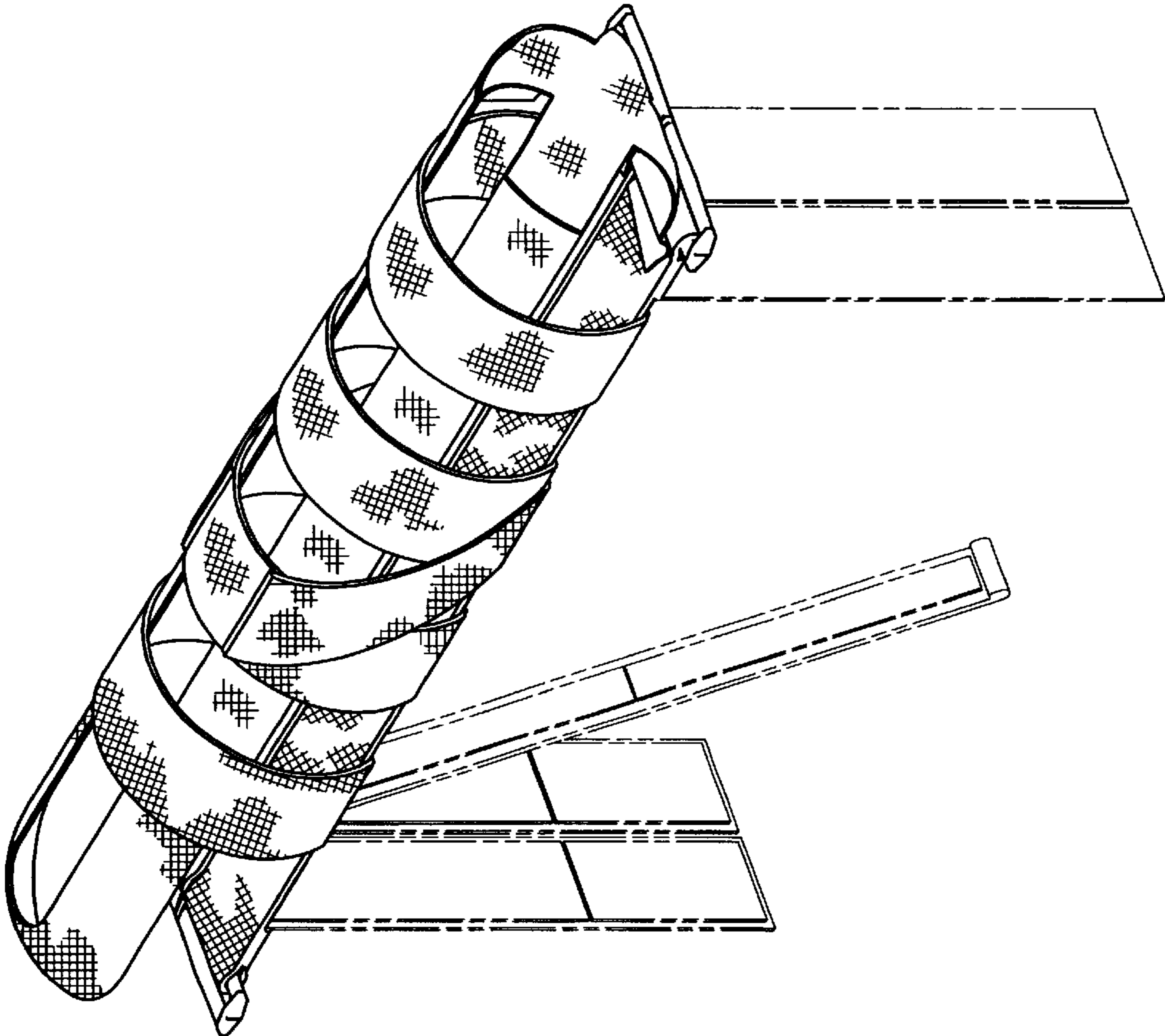


FIG. 1

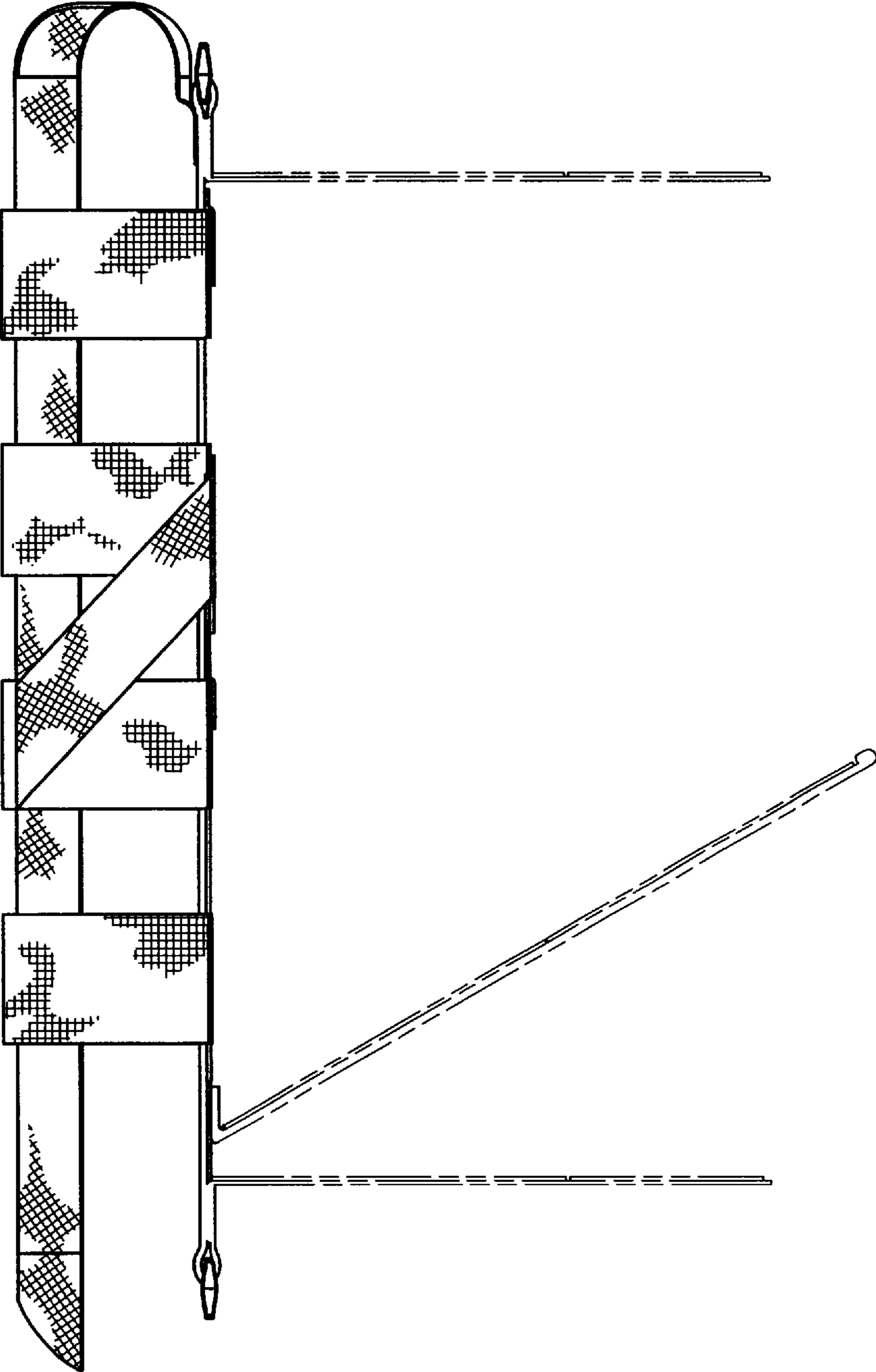


FIG. 2

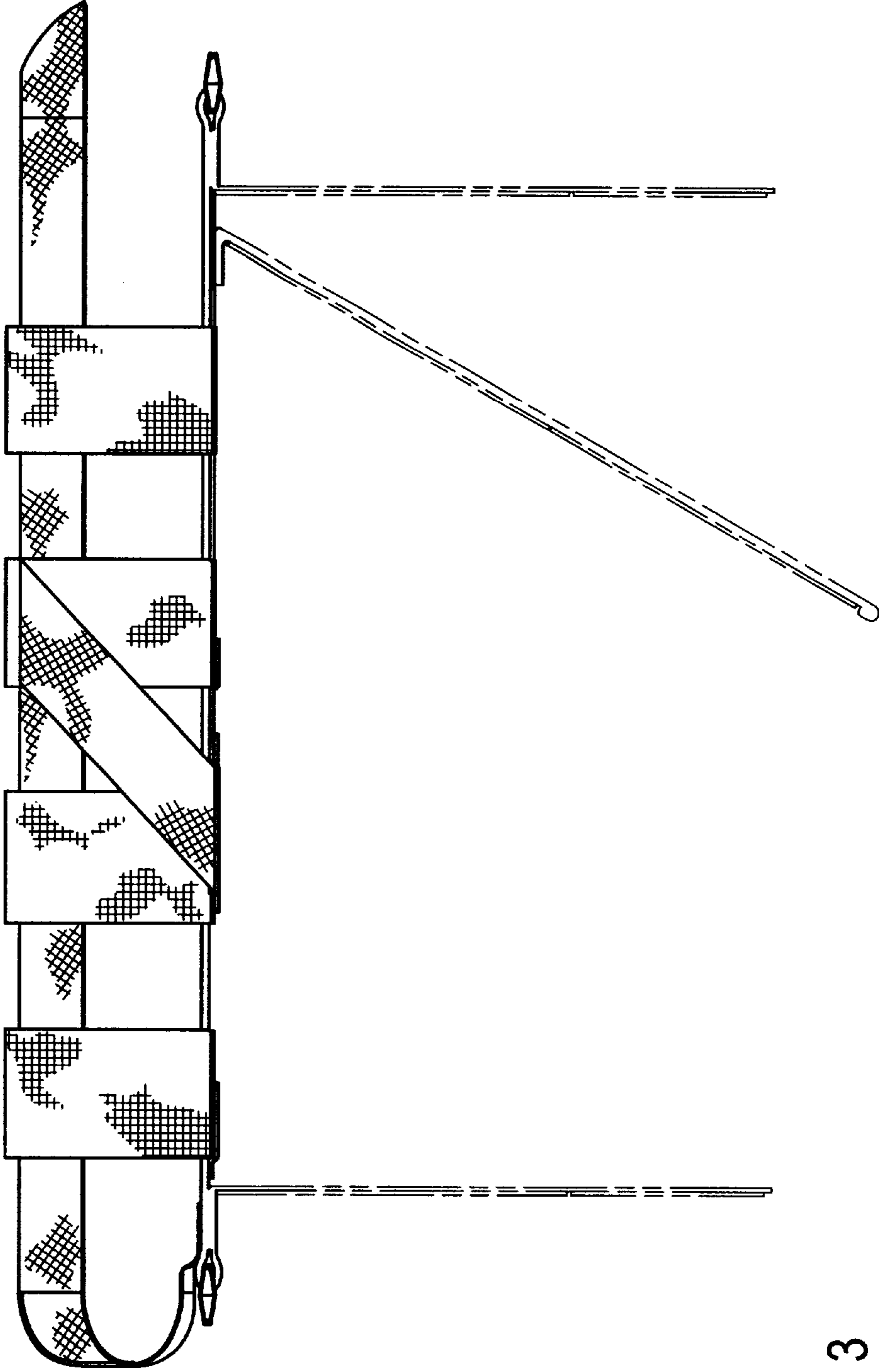


FIG. 3

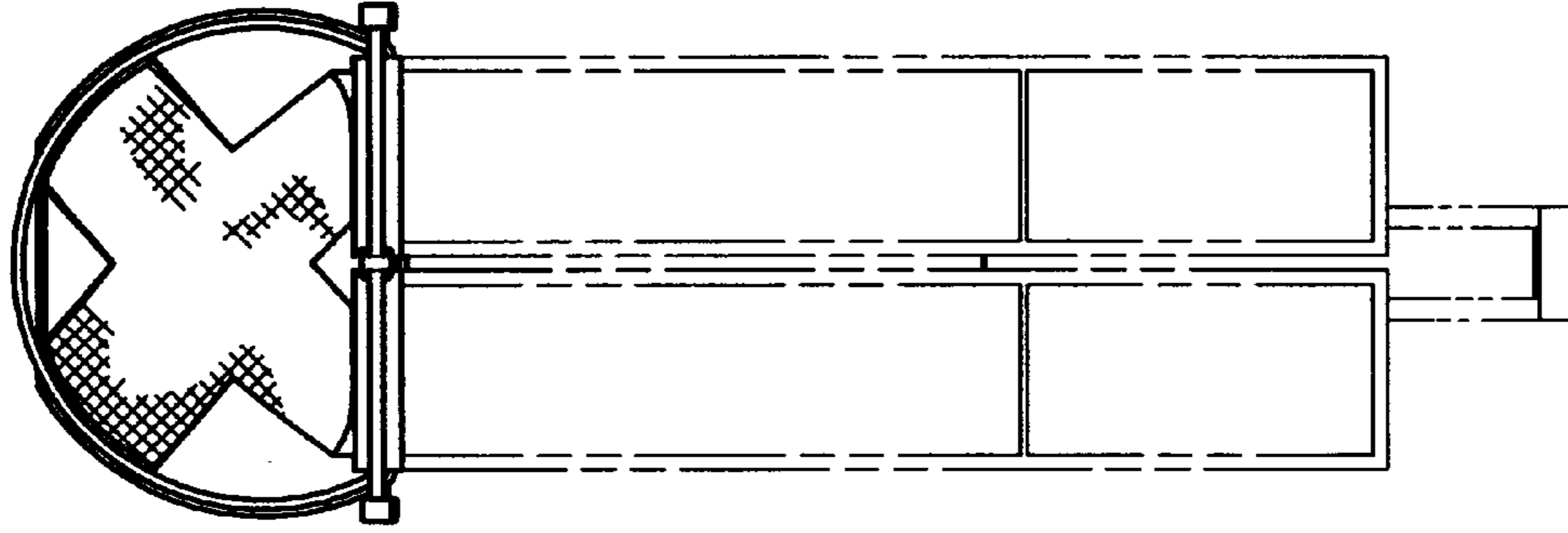


FIG. 5

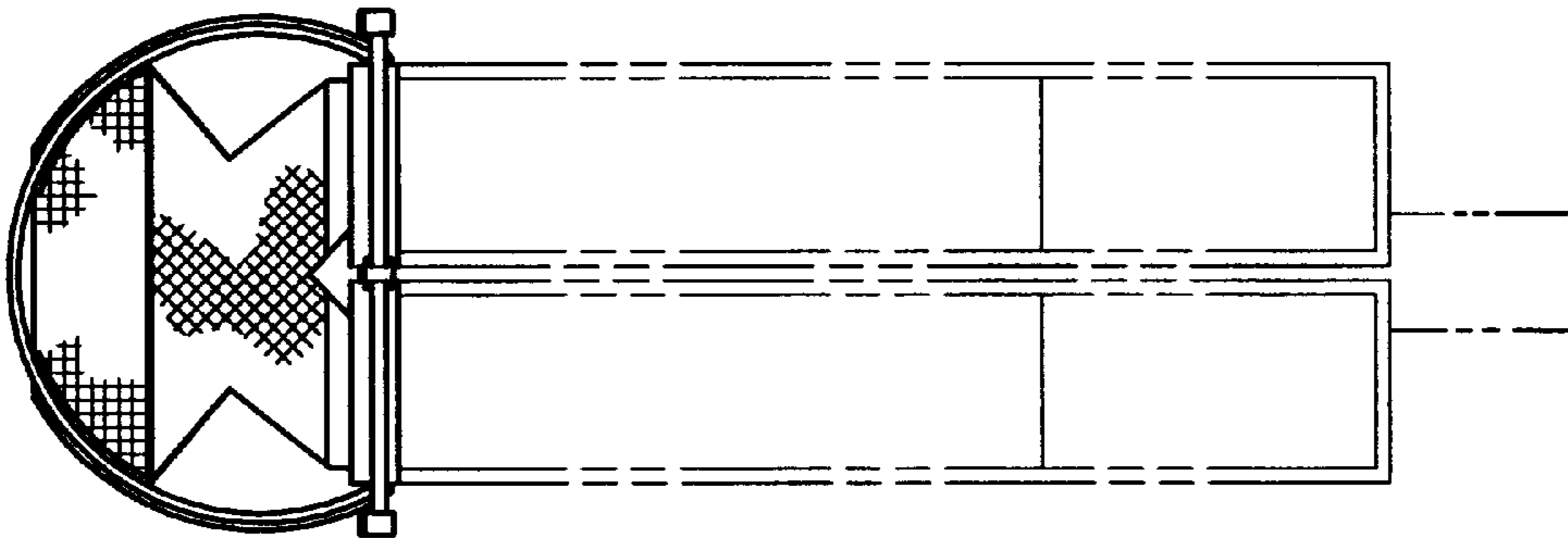


FIG. 4

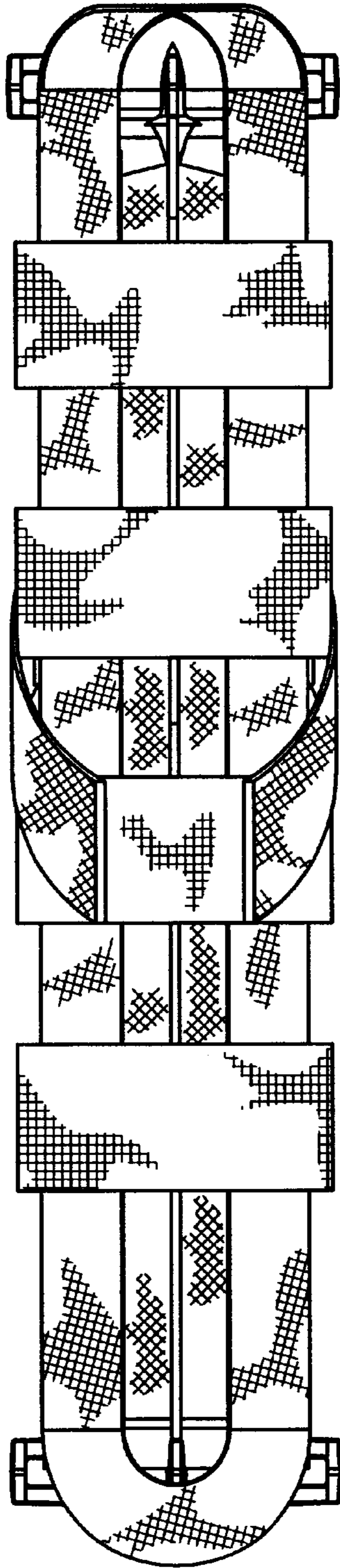


FIG. 6

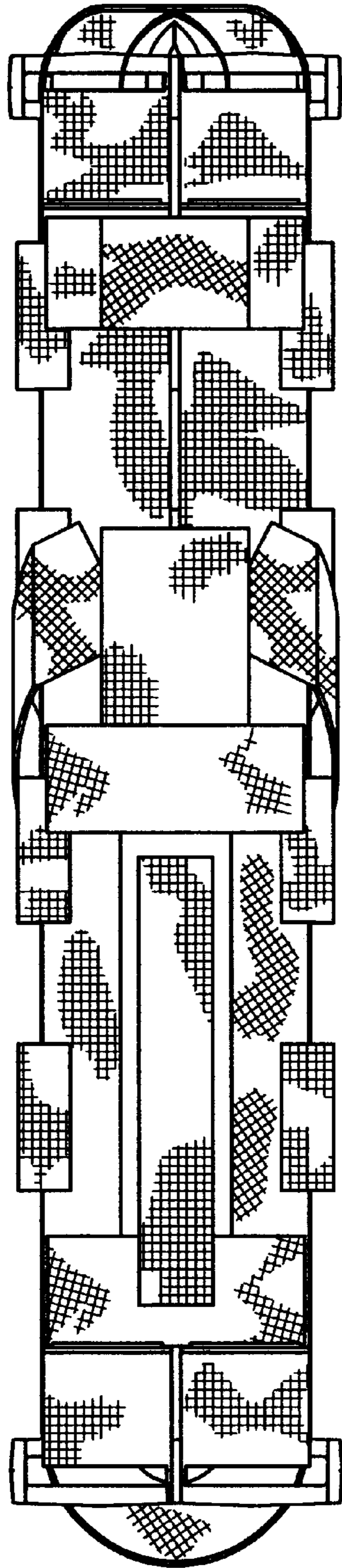


FIG. 7