



US00D527099S

(12) **United States Design Patent**  
**Dantanarayana et al.**

(10) **Patent No.:** **US D527,099 S**

(45) **Date of Patent:** **\*\* Aug. 22, 2006**

(54) **HEADGEAR FOR RESPIRATORY MASK**

(75) Inventors: **Muditha Pradeep Dantanarayana**,  
Cherrybrook (AU); **Anthony Michael**  
**Ging**, Summer Hill (AU); **Gregory**  
**Scott Smart**, Randwick (AU); **David**  
**John Worboys**, Belrose (AU)

(73) Assignee: **ResMed Limited**, North Ryde (AU)

(\*\*) Term: **14 Years**

(21) Appl. No.: **29/209,437**

(22) Filed: **Jul. 16, 2004**

(51) **LOC (8) Cl.** ..... **29-02**

(52) **U.S. Cl.** ..... **D24/110.1**

(58) **Field of Classification Search** ..... D24/110.1,  
D24/110; 128/207.17, 207.11, 205.25, 206.27,  
128/207.13

See application file for complete search history.

(56) **References Cited**

**U.S. PATENT DOCUMENTS**

2,928,387	A	3/1960	Layne	
3,013,556	A	12/1961	Galleher, Jr.	
3,457,584	A *	7/1969	Holloway	2/8
4,671,271	A	6/1987	Bishop et al.	
5,038,776	A	8/1991	Harrison et al.	
D335,367	S *	5/1993	Mieskoski	D16/339
5,481,763	A	1/1996	Brostrom et al.	
5,542,128	A *	8/1996	Lomas	2/173
6,119,693	A *	9/2000	Kwok et al.	128/207.11
6,119,694	A	9/2000	Correa et al.	
6,148,817	A	11/2000	Bryant et al.	
D440,652	S *	4/2001	Pollard	D24/110.1
6,269,814	B1	8/2001	Blaszczykiewicz et al.	

6,418,929	B1	7/2002	Norfleet	
6,422,238	B1	7/2002	Lithgow	
6,470,886	B1	10/2002	Jestrabek-Hart	
6,494,207	B1	12/2002	Kwok	
6,536,435	B1	3/2003	Fecteau et al.	
D485,905	S	1/2004	Moore et al.	
D496,726	S	9/2004	Amarasinghe et al.	
6,805,117	B1	10/2004	Ho et al.	
D505,489	S *	5/2005	Sleeper	D24/110.1
2002/0174868	A1 *	11/2002	Kwok et al.	128/205.25
2003/0050732	A1 *	3/2003	Rivaito	700/237

\* cited by examiner

*Primary Examiner*—Ian Simmons

*Assistant Examiner*—Christopher Lee

(74) *Attorney, Agent, or Firm*—Nixon & Vanderhye P.C.

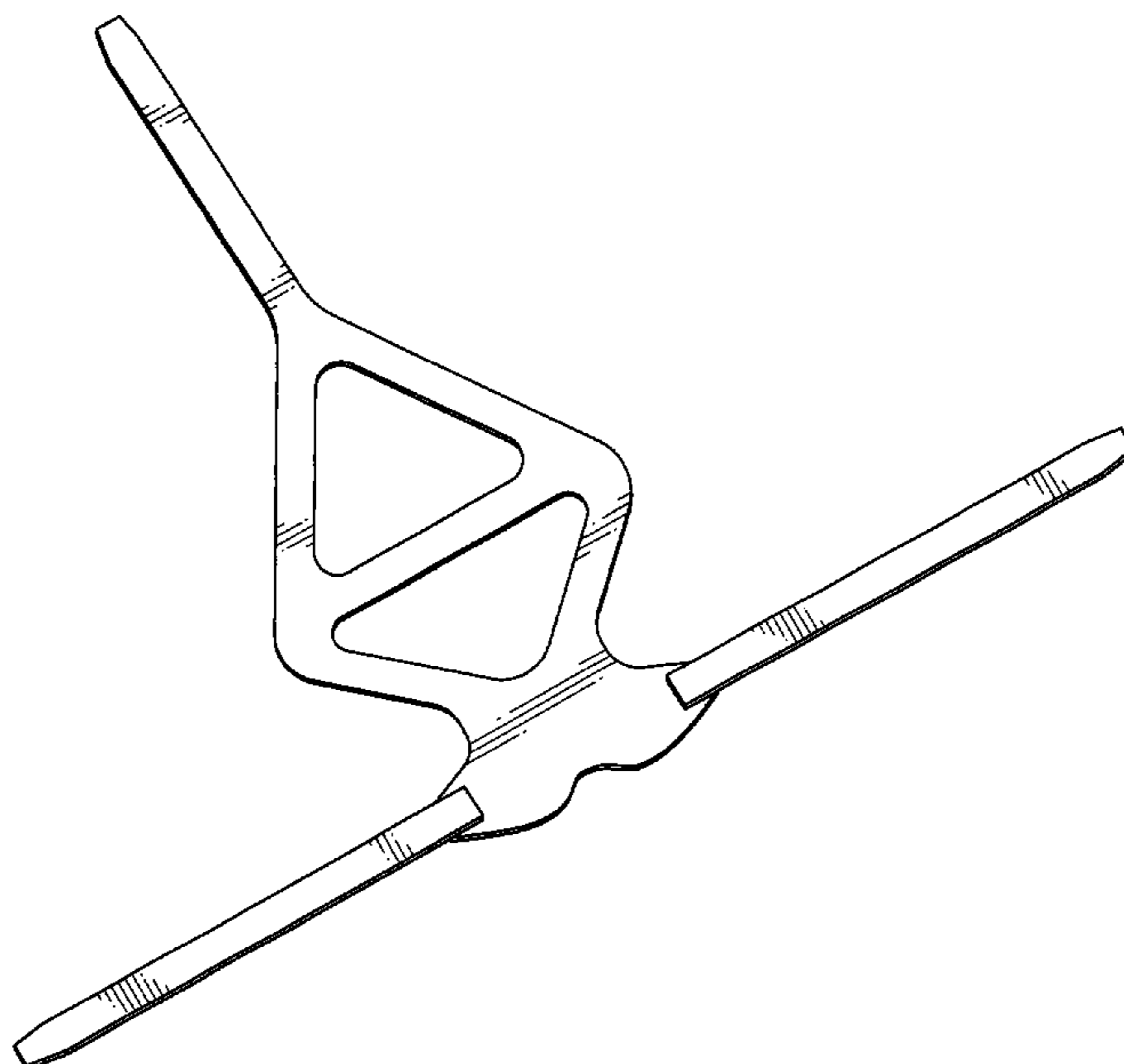
(57) **CLAIM**

The ornamental design for a headgear for respiratory mask, as shown and described.

**DESCRIPTION**

FIG. 1 is a perspective view of headgear for a respiratory mask according to an embodiment of our design;  
 FIG. 2 is a front view thereof;  
 FIG. 3 is a rear view thereof;  
 FIG. 4 is a right side view thereof, with the left side view thereof being a mirror image thereof;  
 FIG. 5 is a top view thereof;  
 FIG. 6 is a bottom view thereof; and,  
 FIG. 7 is a rear perspective view of the headgear on a model patient's head.  
 Where included, broken lines showing environment or structure are for illustrative purposes only and form no part of the claimed design.

**1 Claim, 6 Drawing Sheets**



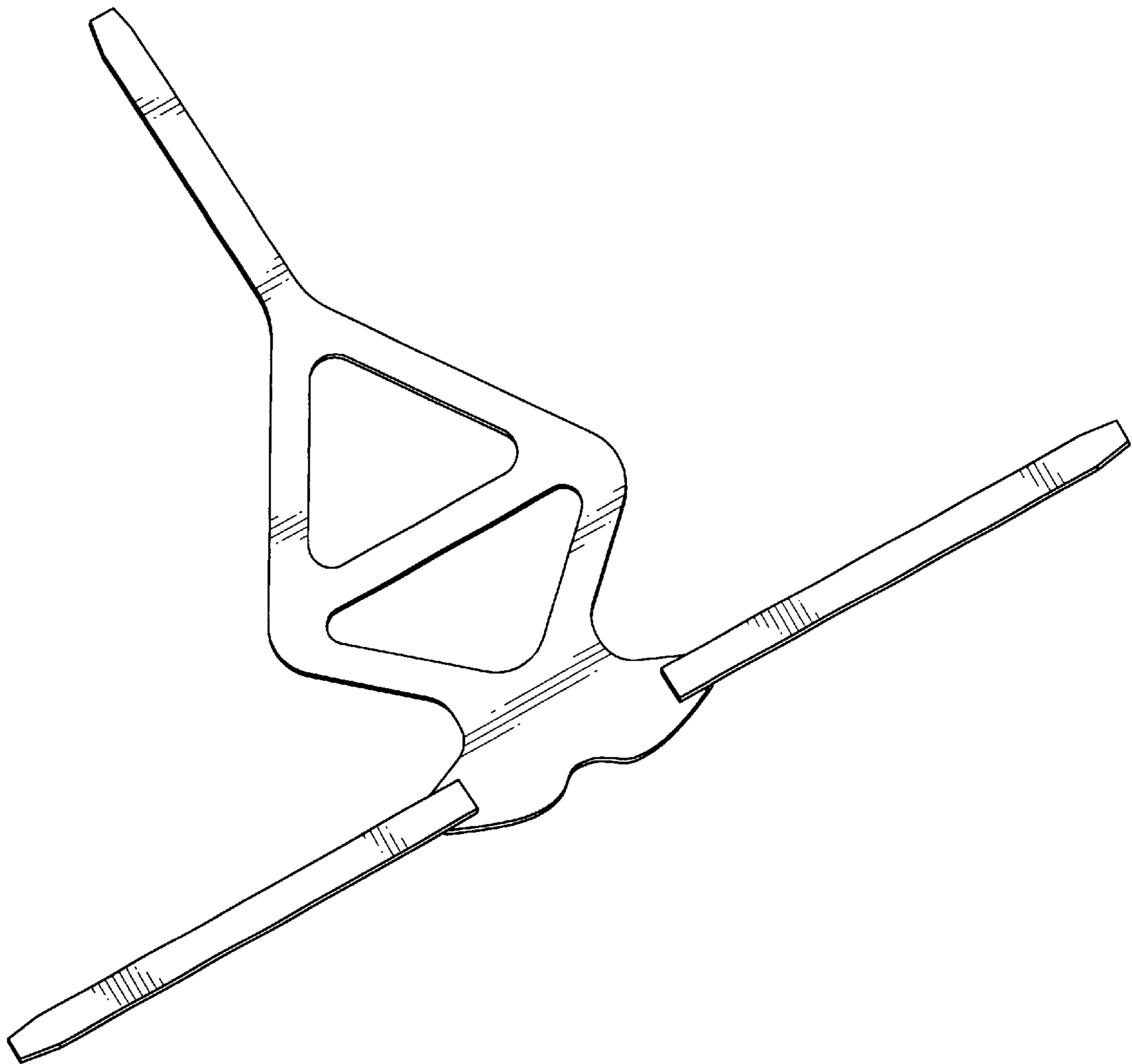


Fig. 1

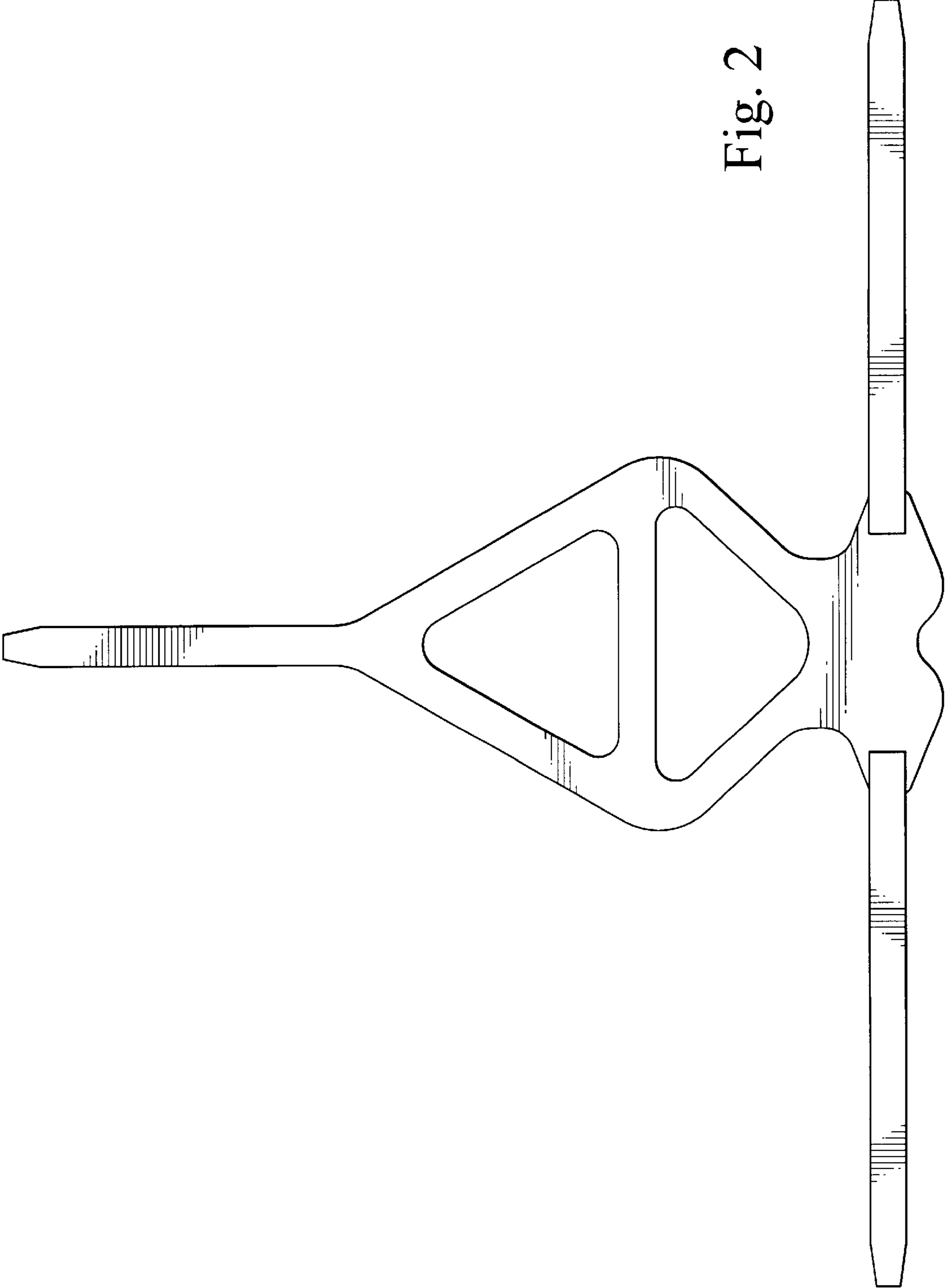


Fig. 2

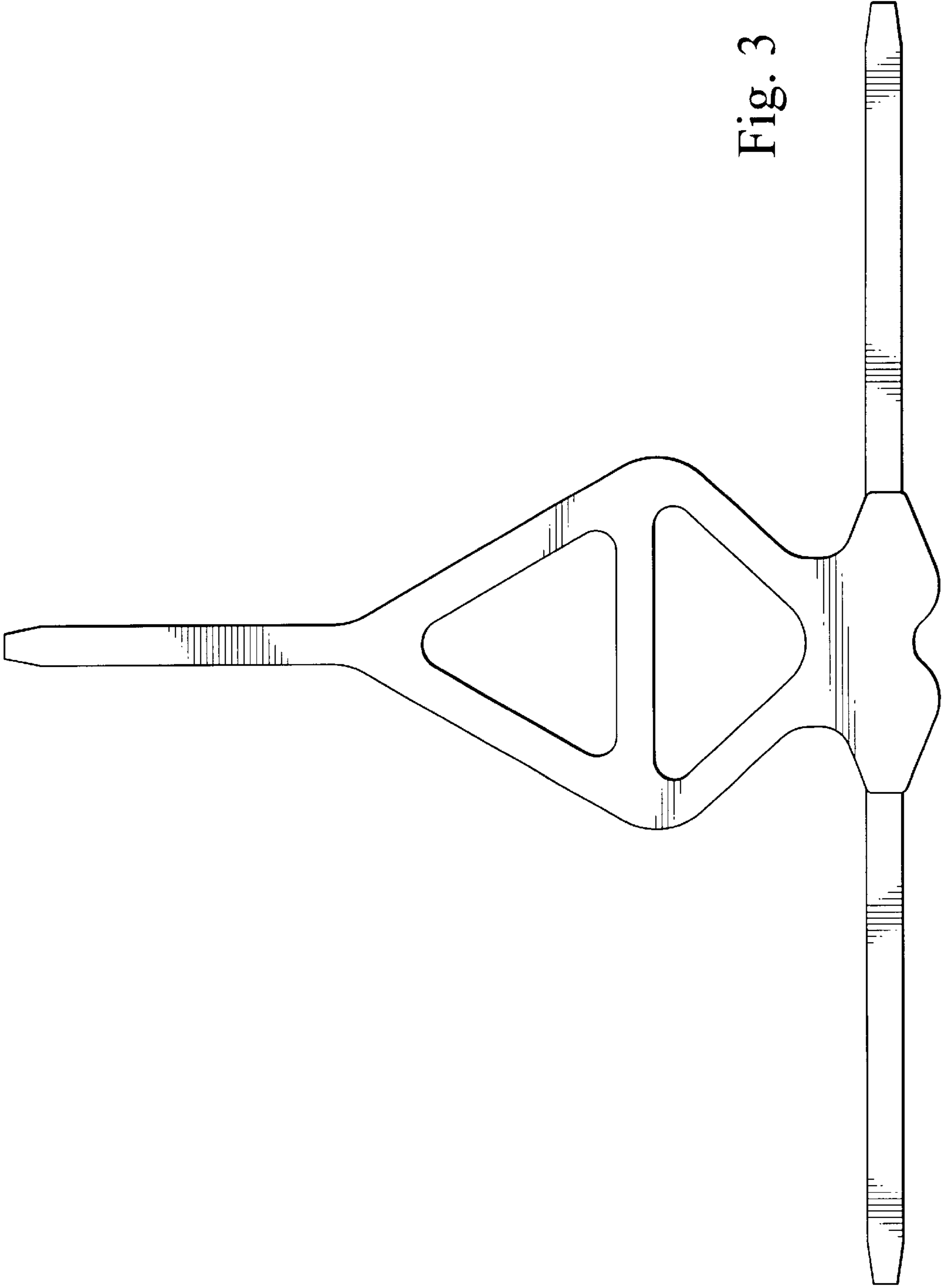


Fig. 3



Fig. 4



Fig. 5



Fig. 6

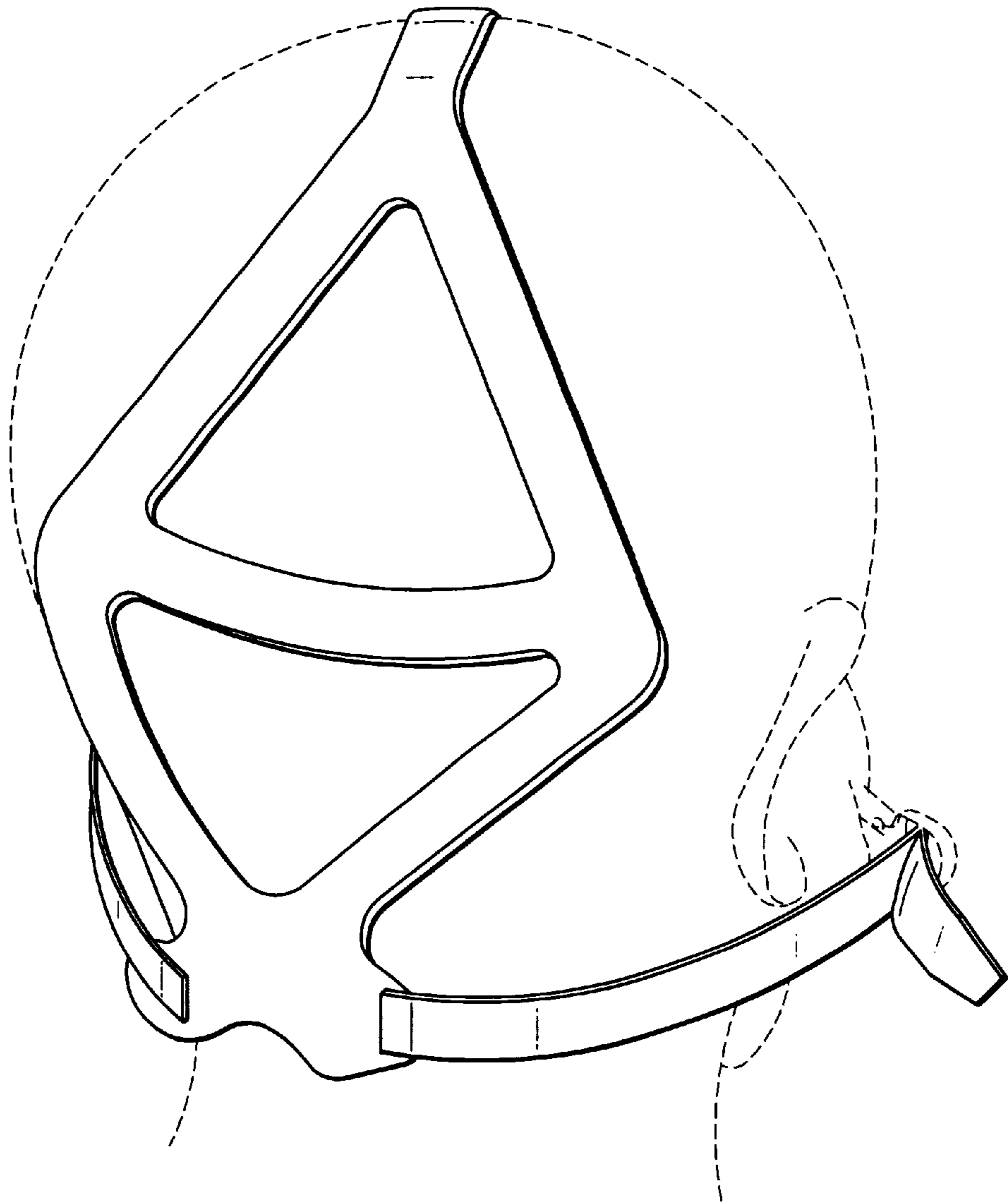


Fig. 7