



US00D527095S

(12) **United States Design Patent** (10) **Patent No.:** **US D527,095 S**
Ertze (45) **Date of Patent:** **** Aug. 22, 2006**

(54) **BLADE IRON**

(75) Inventor: **Pablo J. Ertze**, Rancho Cucamonga, CA (US)

(73) Assignee: **Landmark Enterprise, Inc.** (BN)

(**) Term: **14 Years**

(21) Appl. No.: **29/239,684**

(22) Filed: **Oct. 3, 2005**

(51) **LOC (8) Cl.** **23-04**

(52) **U.S. Cl.** **D23/411**

(58) **Field of Classification Search** D23/411,
D23/377, 379, 385, 413; 416/5, 210 R
See application file for complete search history.

(56) **References Cited**

U.S. PATENT DOCUMENTS

D454,632 S * 3/2002 Huang D23/411
D508,127 S * 8/2005 Graham D23/411

* cited by examiner

Primary Examiner—Lisa Lichtenstein

(74) *Attorney, Agent, or Firm*—Parsons & Goltry; Michael W. Goltry; Robert A. Parsons

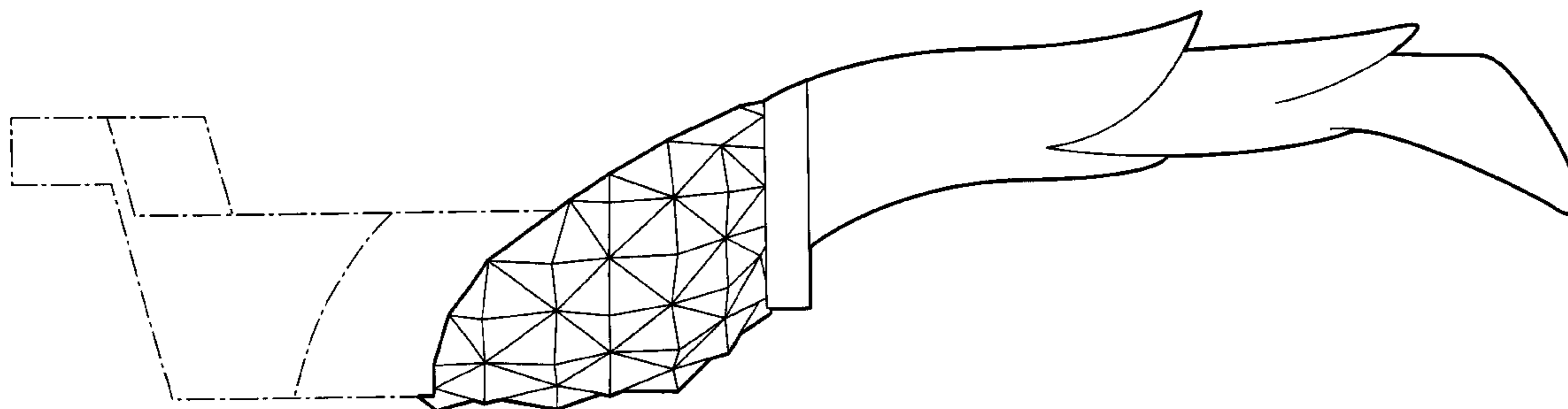
(57) **CLAIM**

The ornamental design for a blade iron, as shown and described.

DESCRIPTION

FIG. 1 is a right side elevational view of a blade iron showing my new design;
FIG. 2 is a left side elevational view thereof;
FIG. 3 is a front elevational view thereof;
FIG. 4 is a bottom plan view thereof;
FIG. 5 is a top plan view thereof;
FIG. 6 is a top perspective view thereof; and,
FIG. 7 is a bottom perspective view thereof.
The broken lines in the views show environmental features, which are for illustrative purposes only and form part of the claimed design.

1 Claim, 7 Drawing Sheets



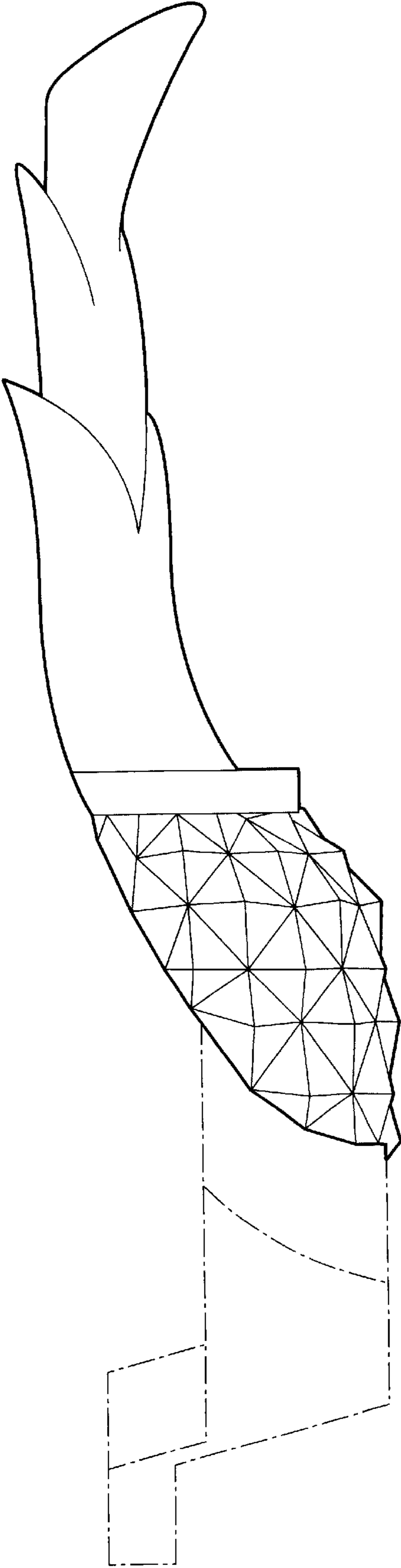


FIG. 1

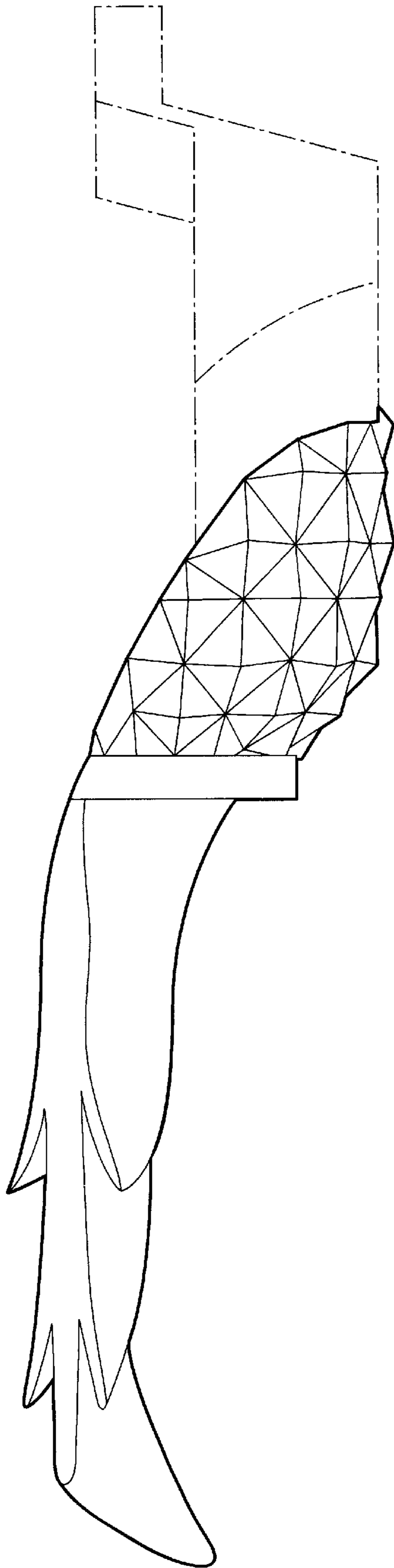


FIG. 2

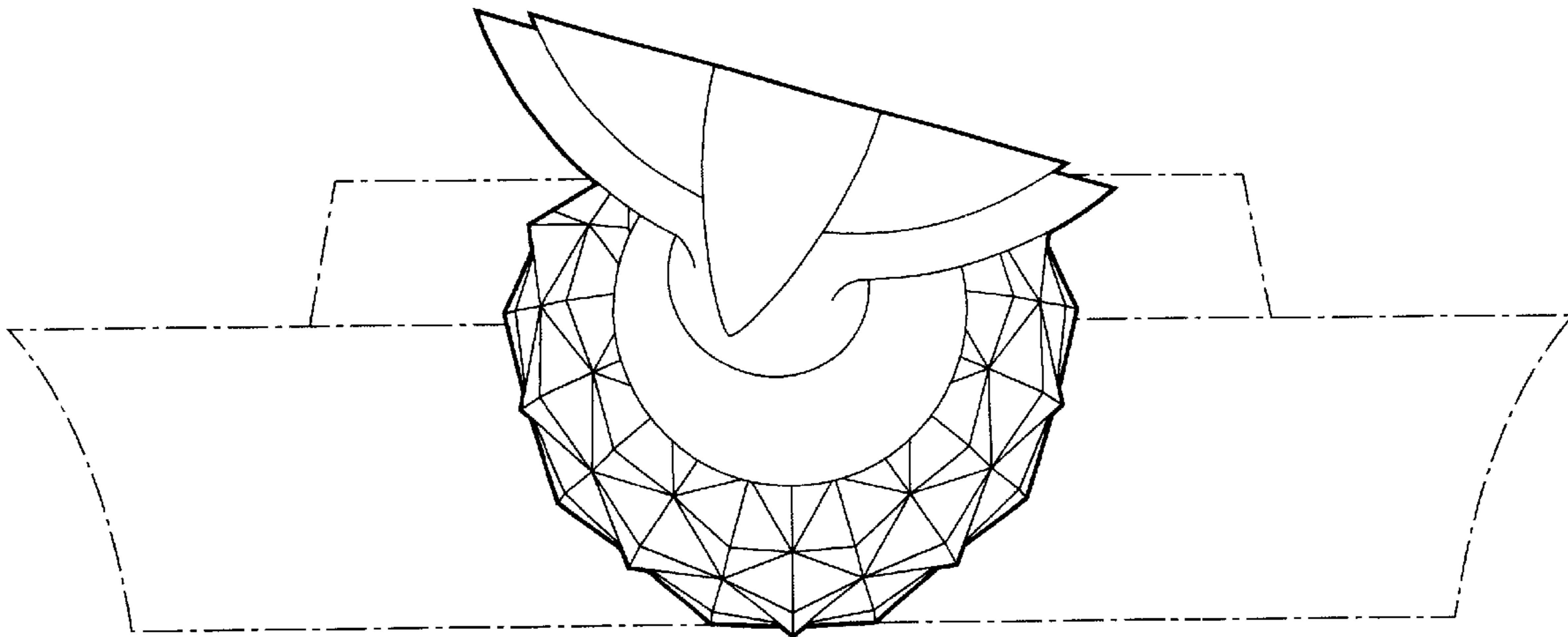


FIG. 3

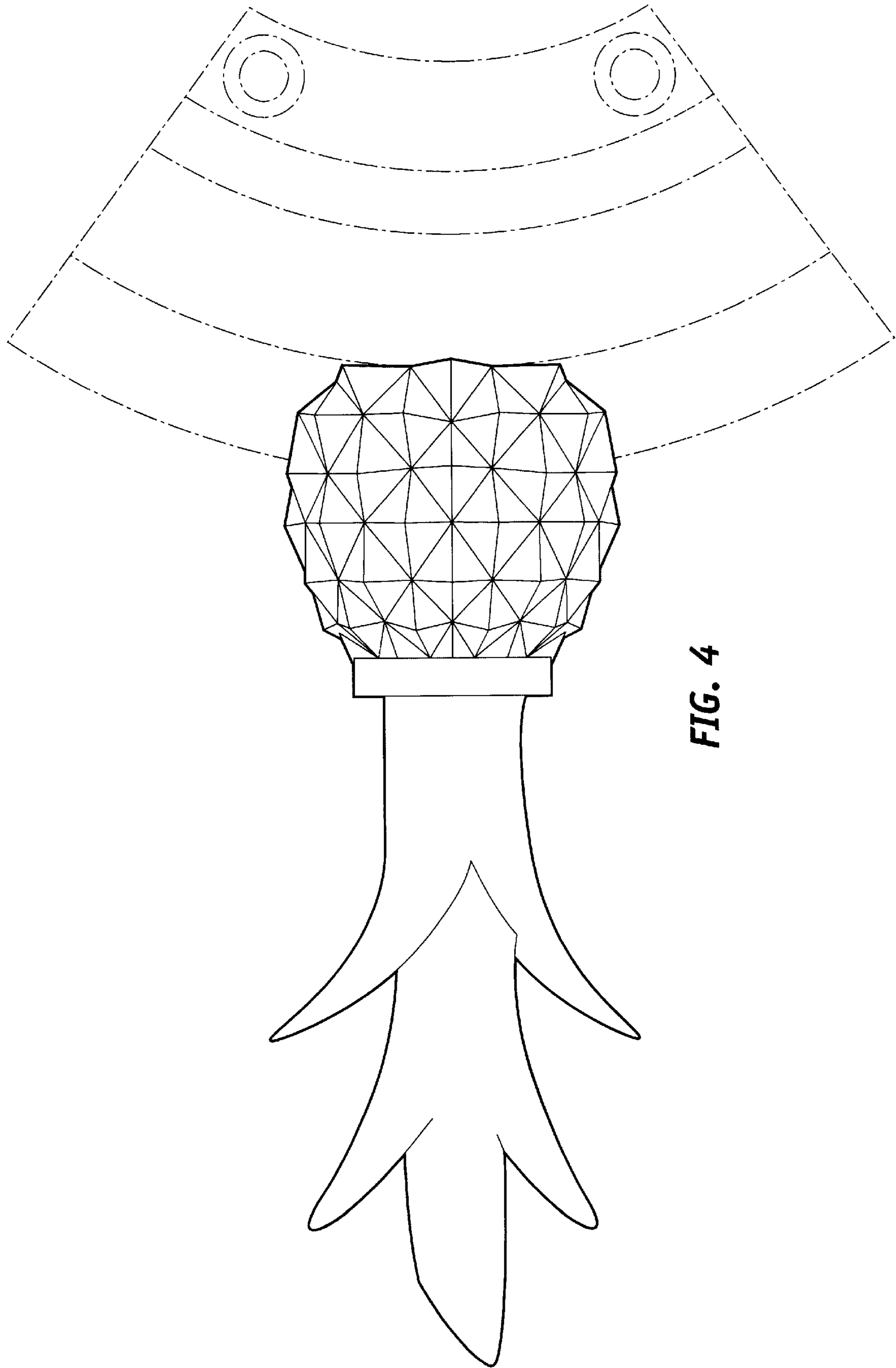


FIG. 4

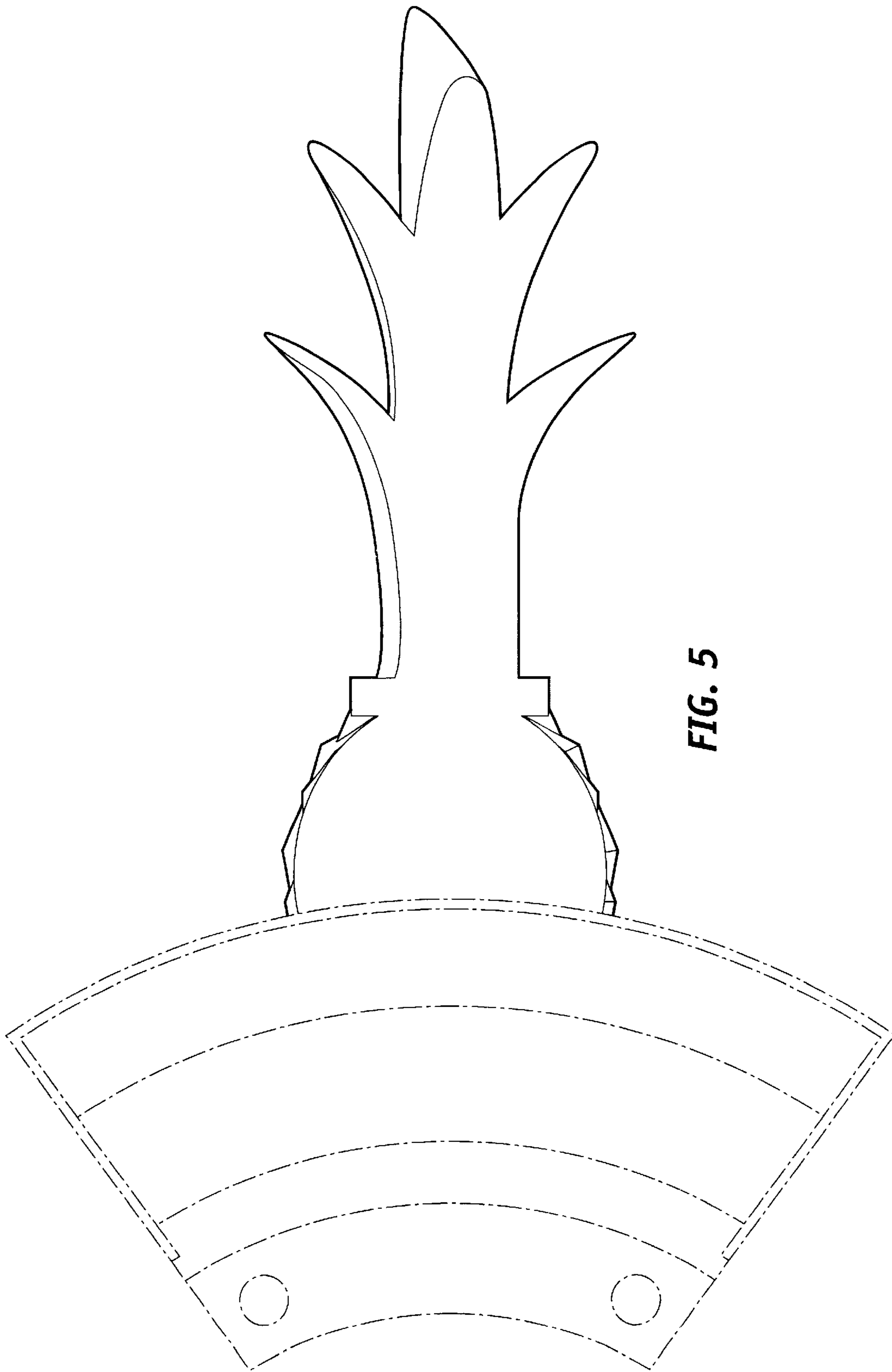


FIG. 5

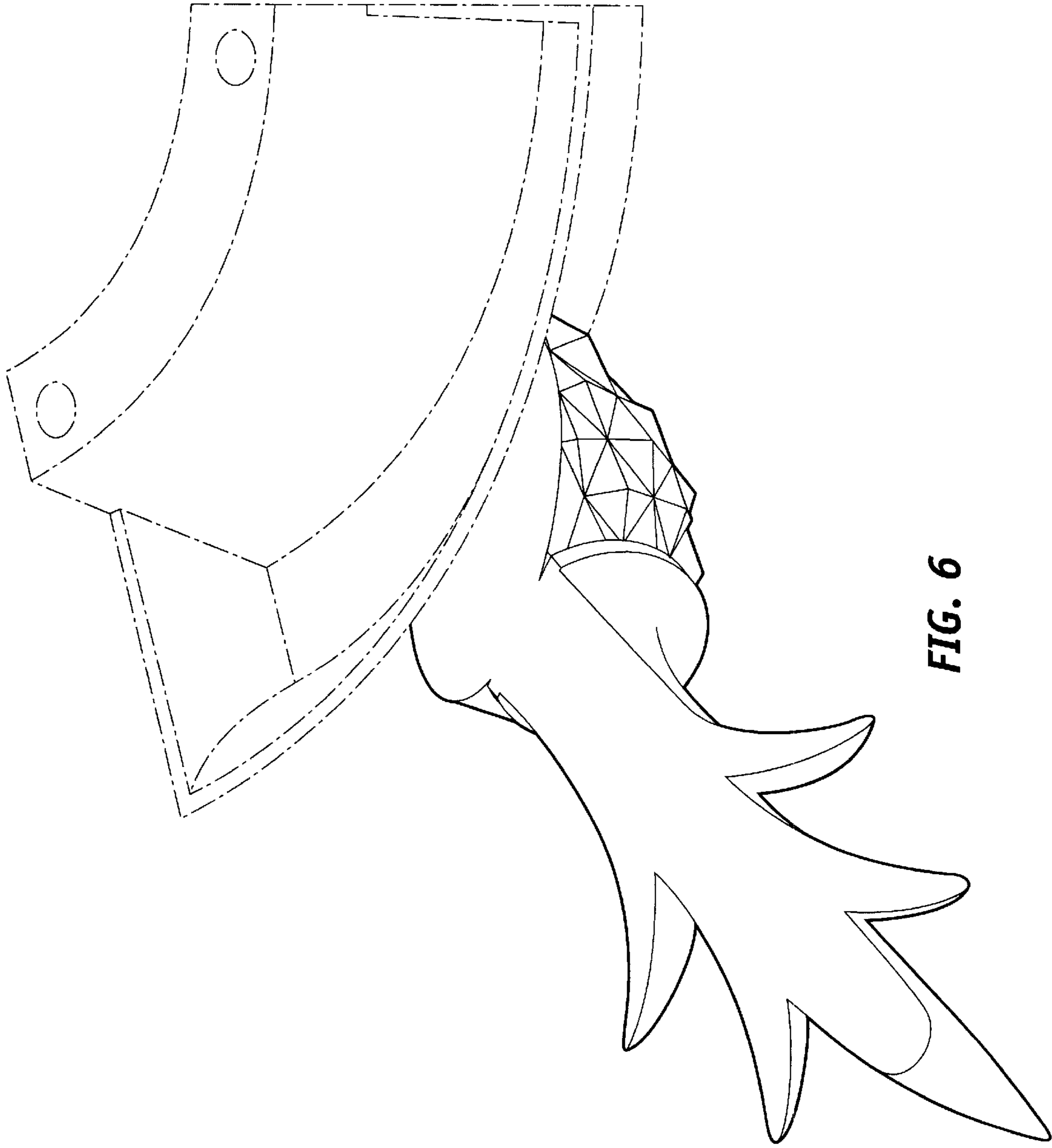


FIG. 6

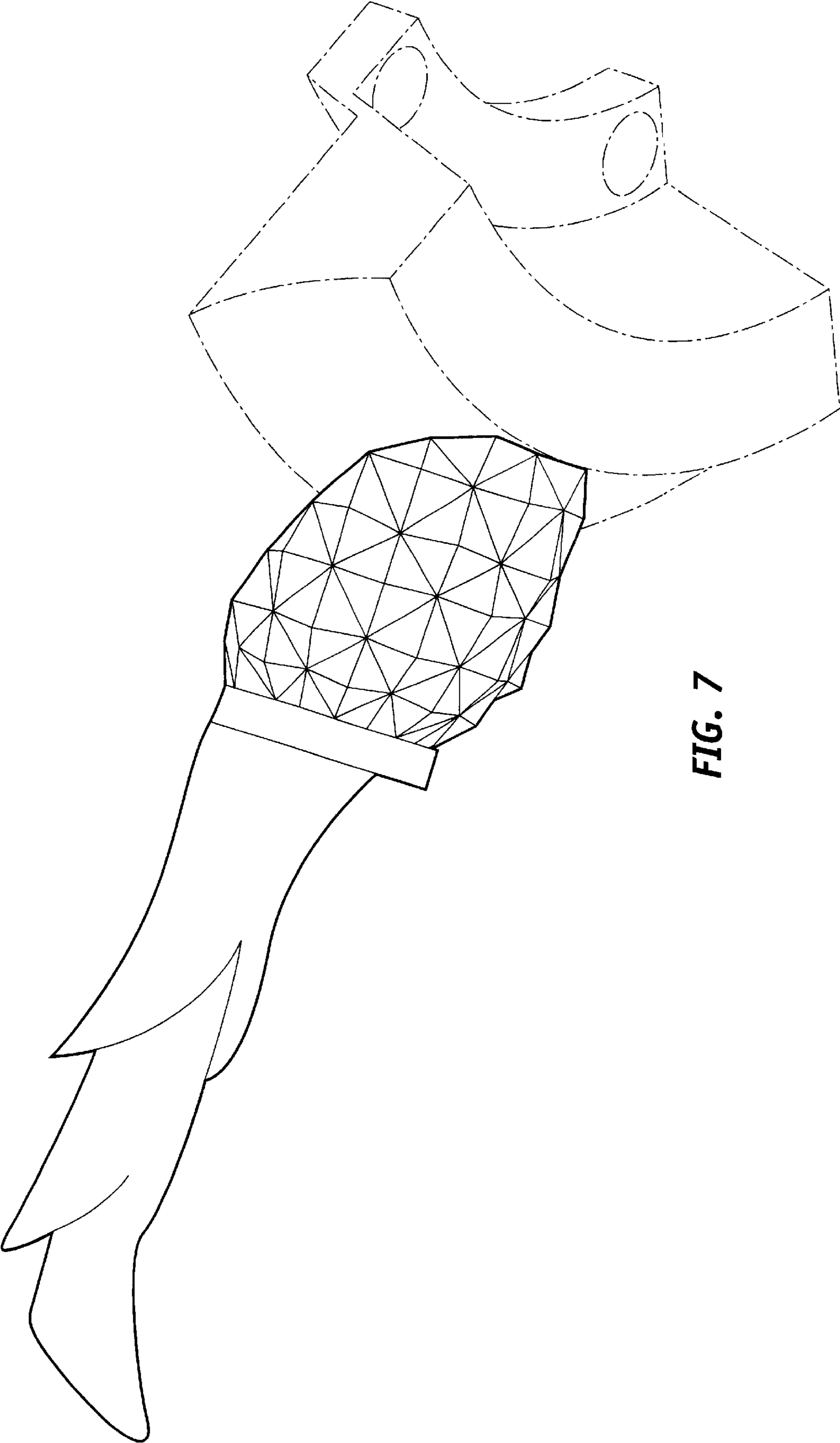


FIG. 7