



US00D527091S

(12) **United States Design Patent**
Stout, Jr.

(10) **Patent No.:** **US D527,091 S**

(45) **Date of Patent:** **** Aug. 22, 2006**

- (54) **DUCT WITH AN INDENTED END**
 - (75) Inventor: **William K. Stout, Jr.**, Mason, OH (US)
 - (73) Assignee: **Eastern Sheet Metal LLC**, Cincinnati, OH (US)
 - (**) Term: **14 Years**
 - (21) Appl. No.: **29/138,781**
 - (22) Filed: **Mar. 20, 2001**
 - (51) **LOC (8) Cl.** **23-04**
 - (52) **U.S. Cl.** **D23/393**
 - (58) **Field of Classification Search** D23/257, D23/260, 262, 263, 266, 386, 391, 393, 399; 235/117, 424, 123.15, 110, 374, 347, 123.16, 235/232-234, 122.1, 123.1, 124.1, 125.2, 235/133.11, 133.21, 133.6, 136.1, 141.1, 235/148.22, 148.24, 187, 148.18, 148.23, 235/133.1, 123.3-123.7, 123.9; 138/111-117, 138/140, 149, DIG. 4; 454/230, 231, 243, 454/270, 905
- See application file for complete search history.

(56) **References Cited**

U.S. PATENT DOCUMENTS

D25,709 S	6/1896	Pratt	
690,778 A *	1/1902	Schroth	126/314
1,565,918 A	12/1925	Fitzgerald	
1,570,974 A	1/1926	Stevens	
2,314,386 A	3/1943	Brend	
2,544,108 A	3/1951	Richardson	
2,616,728 A *	11/1952	Pitt	285/47
2,930,635 A	3/1960	Woodling	
3,015,510 A	1/1962	Bates	
D197,200 S *	12/1963	Miller	D23/386

(Continued)

FOREIGN PATENT DOCUMENTS

DE 2840962 4/1979

DK 150025 B 11/1986

(Continued)

OTHER PUBLICATIONS

Ducts and Fittings Product Brochure, Lindab Ltd., Northampton, Great Britain (undated), front and back covers and pp. 3-52.

(Continued)

Primary Examiner—Stella Reid

Assistant Examiner—C. Tuttle

(74) *Attorney, Agent, or Firm*—Dinsmore & Shohl LLP

(57) **CLAIM**

The ornamental design for a duct with an indented end, as shown and described.

DESCRIPTION

FIG. 1 is a front view of a first embodiment of the duct with an indented end;

FIG. 2 is a right side view of the duct of FIG. 1; the left side view being a mirror image of FIG. 2;

FIG. 3 is a top view of the duct of FIG. 1;

FIG. 4 is a front right perspective view of the first embodiment of the duct; the front left perspective view being a mirror image of FIG. 4;

FIG. 5 is a front view of a second embodiment of the duct with an indented end;

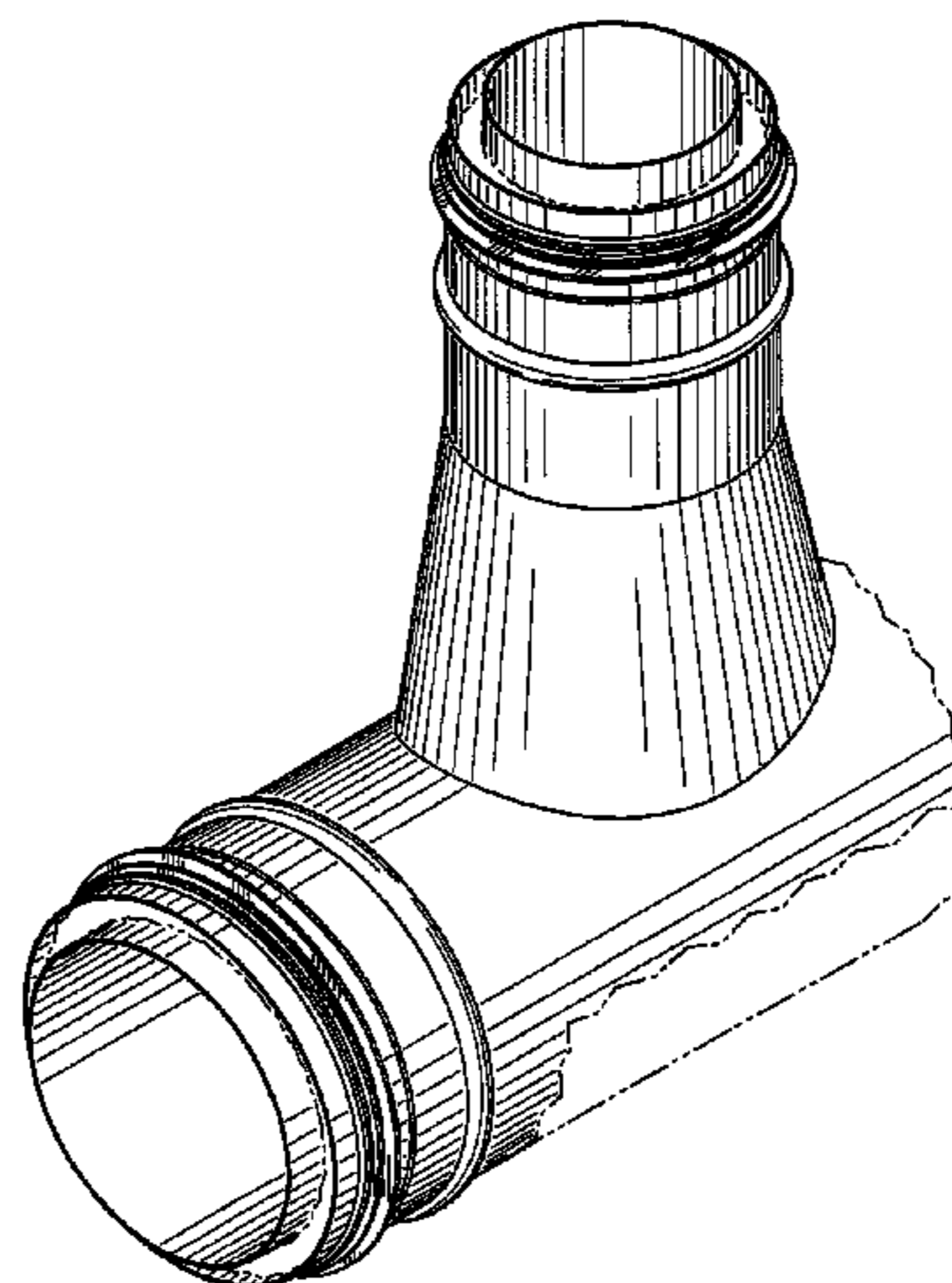
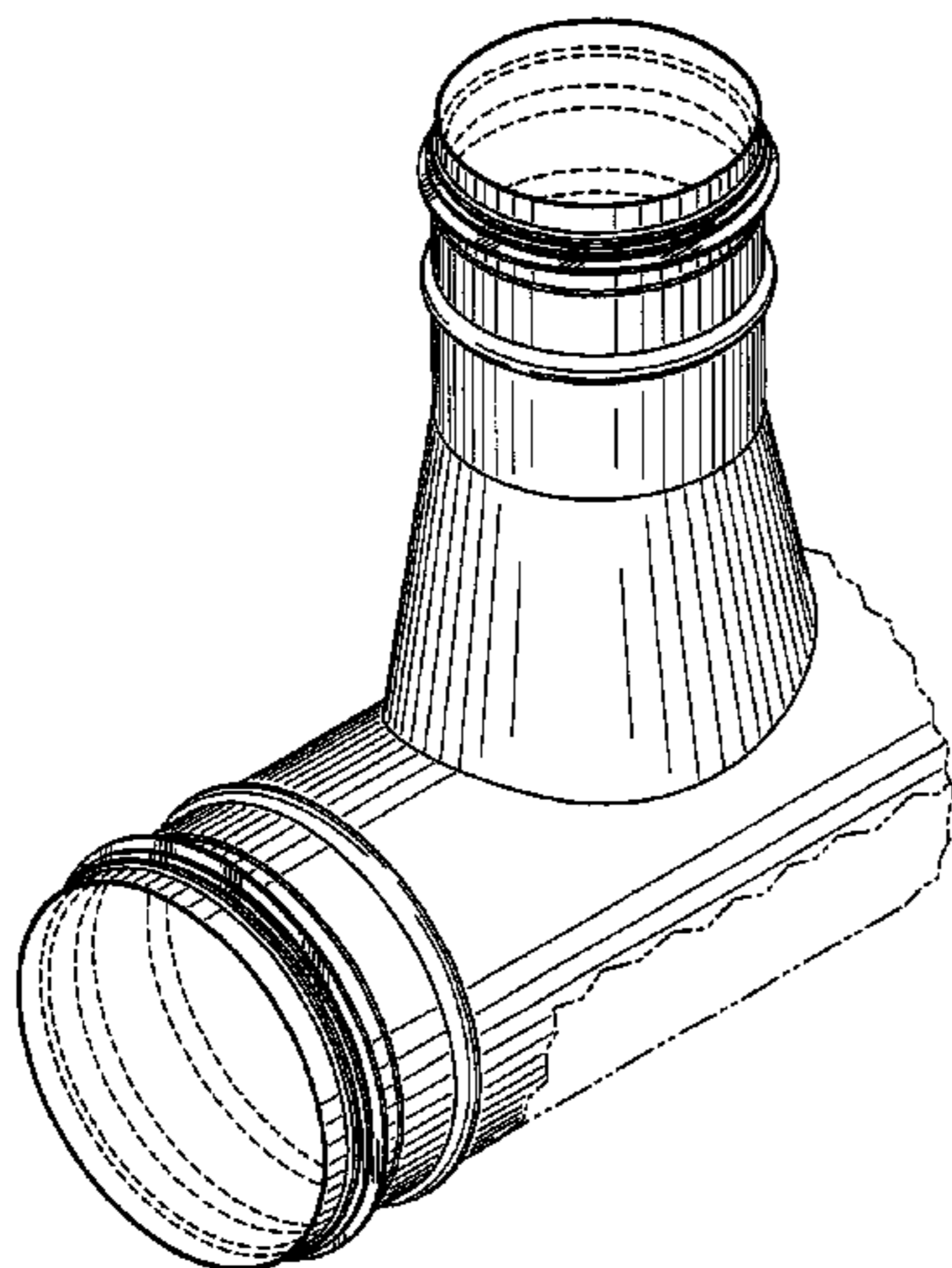
FIG. 6 is a right side view of the duct of FIG. 5; the left side view being a mirror image of FIG. 6;

FIG. 7 is a top view of the duct of FIG. 5; and,

FIG. 8 is a front right perspective view of the second embodiment of the duct; the front left perspective view being a mirror image of FIG. 8.

The broken lines shown in FIGS. 2-4 and 6-8 immediately adjacent the shaded areas define the bounds of the claimed design; all other broken lines shown in the figures are for illustrative purposes only. None of the broken lines in the figures form a part of the claimed design.

1 Claim, 8 Drawing Sheets



U.S. PATENT DOCUMENTS

D234,847	S	4/1975	Hoffman	
3,955,834	A	5/1976	Ahlrot	
4,007,941	A	2/1977	Stancati	
4,050,703	A	9/1977	Tuvelsson et al.	
4,193,246	A	3/1980	Schiefer et al.	
4,216,981	A	8/1980	Jensen	
4,369,159	A	1/1983	Irmer	
D273,702	S	5/1984	Widerby et al.	
4,664,421	A	5/1987	Jones	
5,080,403	A	* 1/1992	Paoluccio	285/229
5,390,961	A	* 2/1995	Guthrie	285/41
5,405,174	A	4/1995	Sondén et al.	
5,407,122	A	4/1995	Stefansson et al.	
D360,018	S	7/1995	Sondén et al.	
D360,019	S	7/1995	Sondén et al.	
D360,020	S	7/1995	Sondén et al.	
D360,021	S	7/1995	Sondén et al.	
D361,829	S	8/1995	Sondén et al.	
D362,299	S	9/1995	Sondén et al.	
D362,300	S	9/1995	Sondén et al.	
D363,115	S	10/1995	Lennartsson	
5,473,815	A	12/1995	Sonden et al.	
D367,316	S	2/1996	Sondén et al.	
D368,304	S	3/1996	Morrison	
5,531,460	A	7/1996	Stefansson et al.	
D377,829	S	2/1997	Andresen	
5,599,600	A	2/1997	Rau	
5,624,140	A	* 4/1997	Allen et al.	285/133.1
5,649,662	A	7/1997	Krichau et al.	
D383,053	S	9/1997	Schrader et al.	
D383,195	S	9/1997	Sondén et al.	
D383,196	S	9/1997	Sondén et al.	
D386,246	S	11/1997	Sondén et al.	
D402,354	S	12/1998	Strong et al.	
D407,802	S	4/1999	Hatfield et al.	
D427,667	S	7/2000	Stout, Jr.	
D427,668	S	7/2000	Stout, Jr.	
D427,673	S	7/2000	Stout, Jr.	
D430,482	S	9/2000	Stout, Jr.	
D431,634	S	* 10/2000	Mantz	D23/263
D435,090	S	12/2000	Stout, Jr.	
D437,034	S	1/2001	Stout, Jr.	
6,170,883	B1	1/2001	Mattsson et al.	
D447,223	S	8/2001	Mattsson et al.	
6,322,111	B1	* 11/2001	Brady	285/370

FOREIGN PATENT DOCUMENTS

EP	092881	A2	11/1983
EP	0273221	B1	7/1988
EP	0389462	A1	9/1990

EP	0758066	B1	2/1997
FR	2015241		4/1970
GB	1587018		3/1981
IT	1285018		3/1998
NO	174861		4/1994
SE	13987		1/1974
SE	17788		4/1976
SE	19819		4/1977
SE	25473		4/1980
SE	25610		4/1980
SE	26059		7/1980
SE	26995		12/1980
WO	WO 9415133		7/1994

OTHER PUBLICATIONS

“Sistema Di Tenuta Ring”, Issued by Climovent System, an Italian Company; pp. 1–6 (Undated).
 “Veloduct” catalog 1997, ABB Ventilation Products AB, Division Veloduct.
 Hallstroms Verkstader 2 page advertisement and an English translation of portions thereof: Mar. 21, 2000.
 U.S. Appl. No. 29/138,761.
 U.S. Appl. No. 29/138,838.
 U.S. Appl. No. 29/138,820.
 U.S. Appl. No. 29/138,847.
 U.S. Appl. No. 29/138,785.
 U.S. Appl. No. 29/138,839.
 U.S. Appl. No. 29/138,830.
 U.S. Appl. No. 29/138,819.
 U.S. Appl. No. 29/138,818.
 U.S. Appl. No. 29/138,782.
 U.S. Appl. No. 29/138,790.
 U.S. Appl. No. 29/138,783.
 U.S. Appl. No. 29/138,786.
 U.S. Appl. No. 29/138,771.
 U.S. Appl. No. 29/138,760.
 U.S. Appl. No. 29/138,836.
 U.S. Appl. No. 29/138,764.
 U.S. Appl. No. 29/138,668.
 U.S. Appl. No. 29/138,772.
 U.S. Appl. No. 29/138,784.
 U.S. Appl. No. 29/138,842.
 U.S. Appl. No. 29/138,837.
 U.S. Appl. No. 29/138,763.
 U.S. Appl. No. 29/138,829.
 U.S. Appl. No. 29/138,762.

* cited by examiner

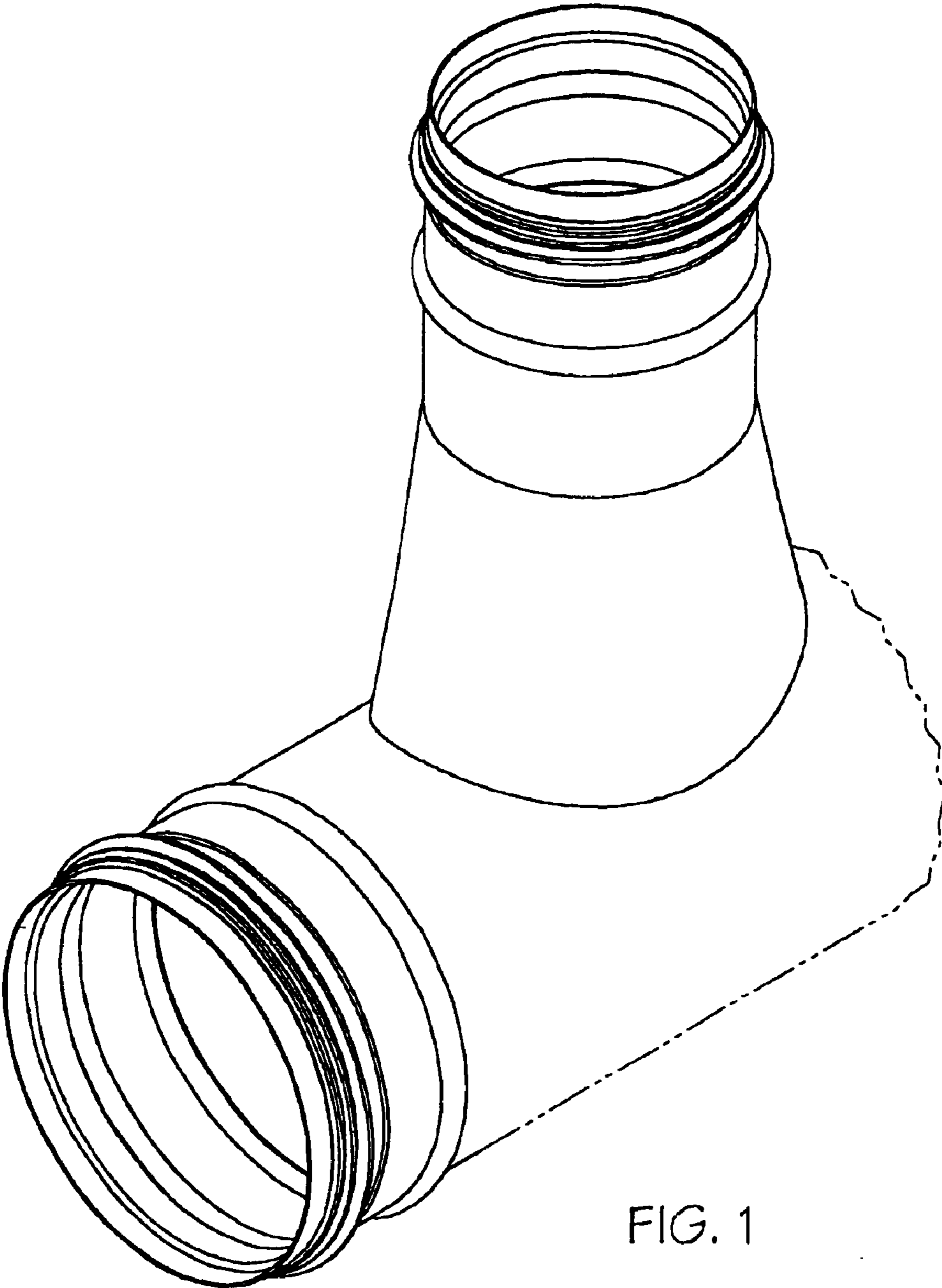


FIG. 1

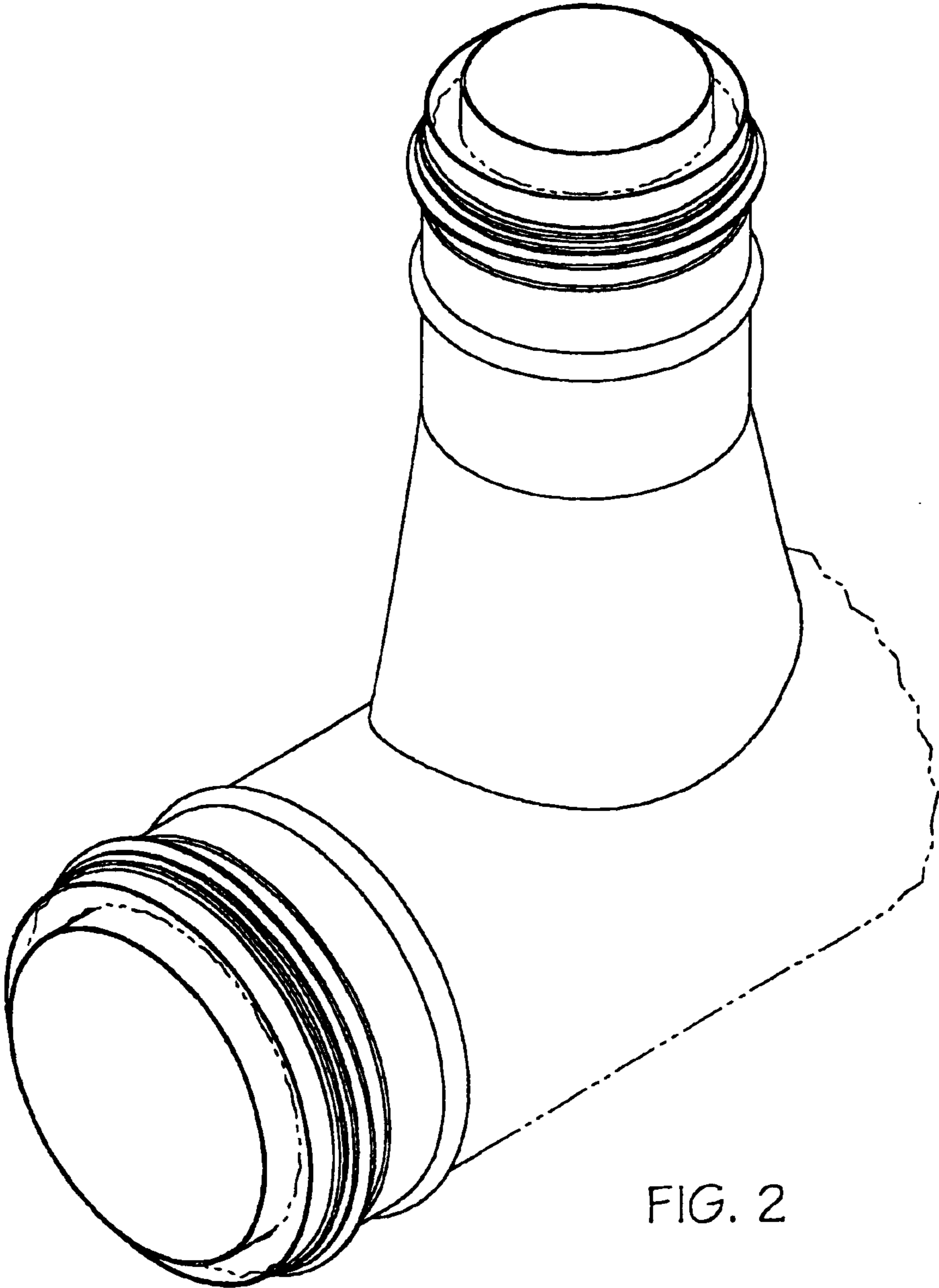


FIG. 2

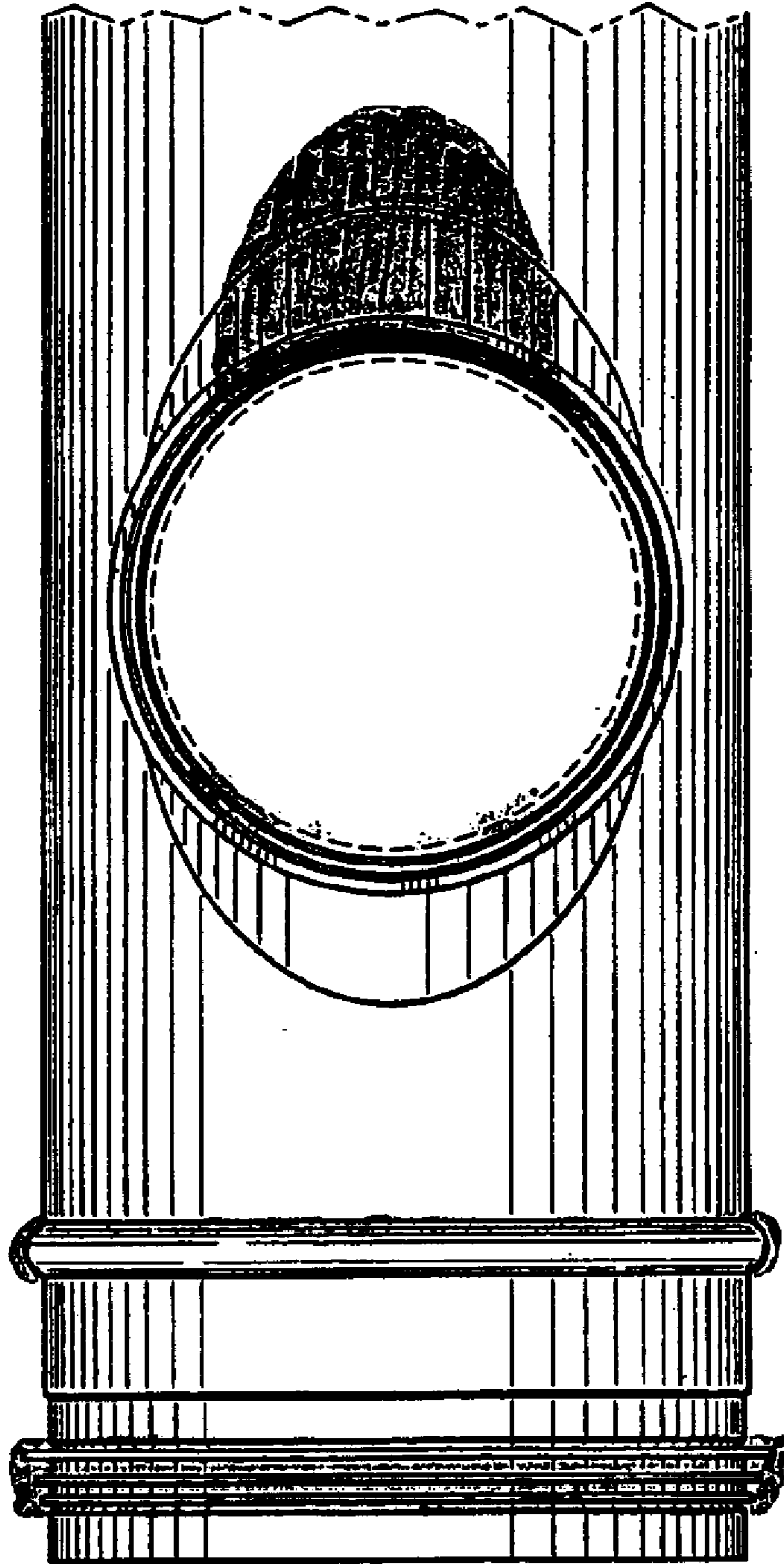


FIG. 3

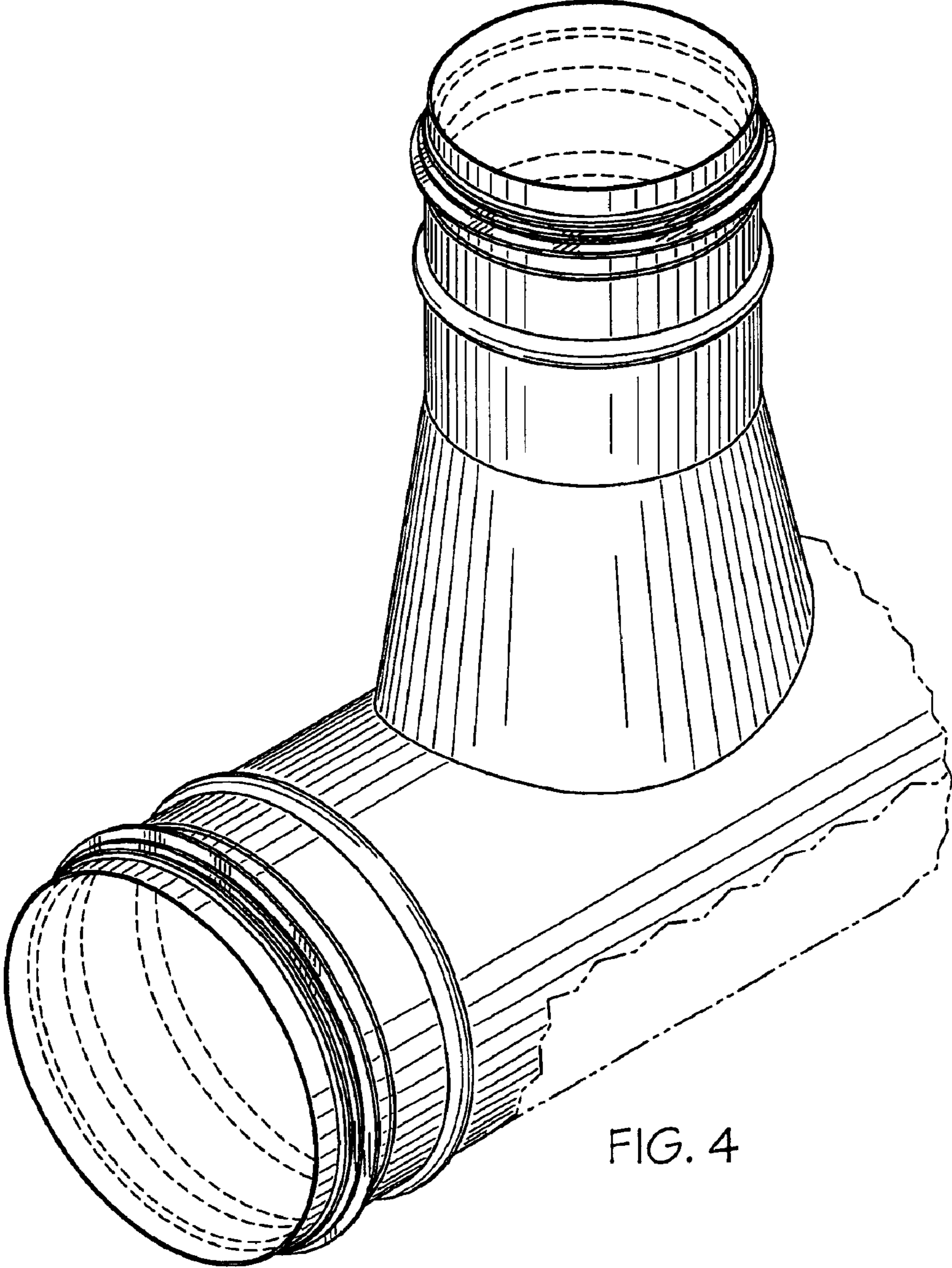


FIG. 4

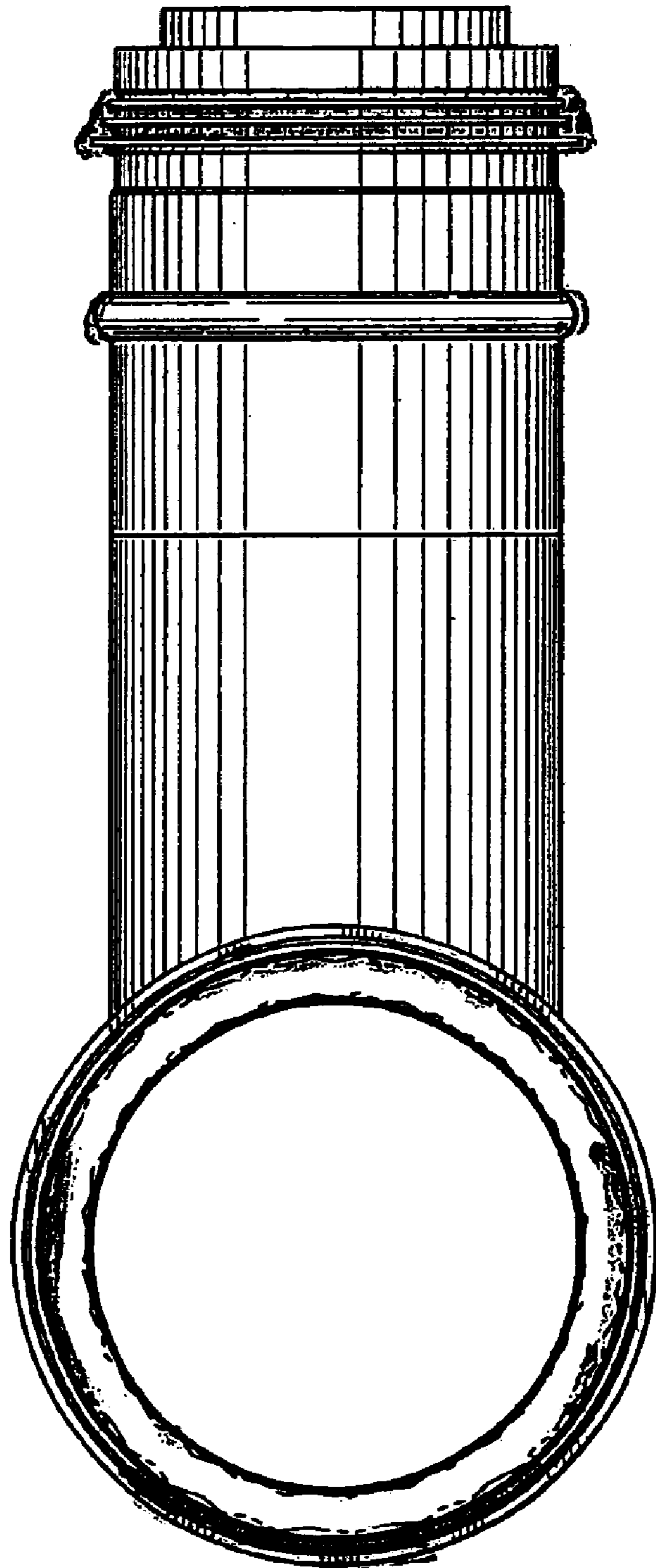


FIG. 5

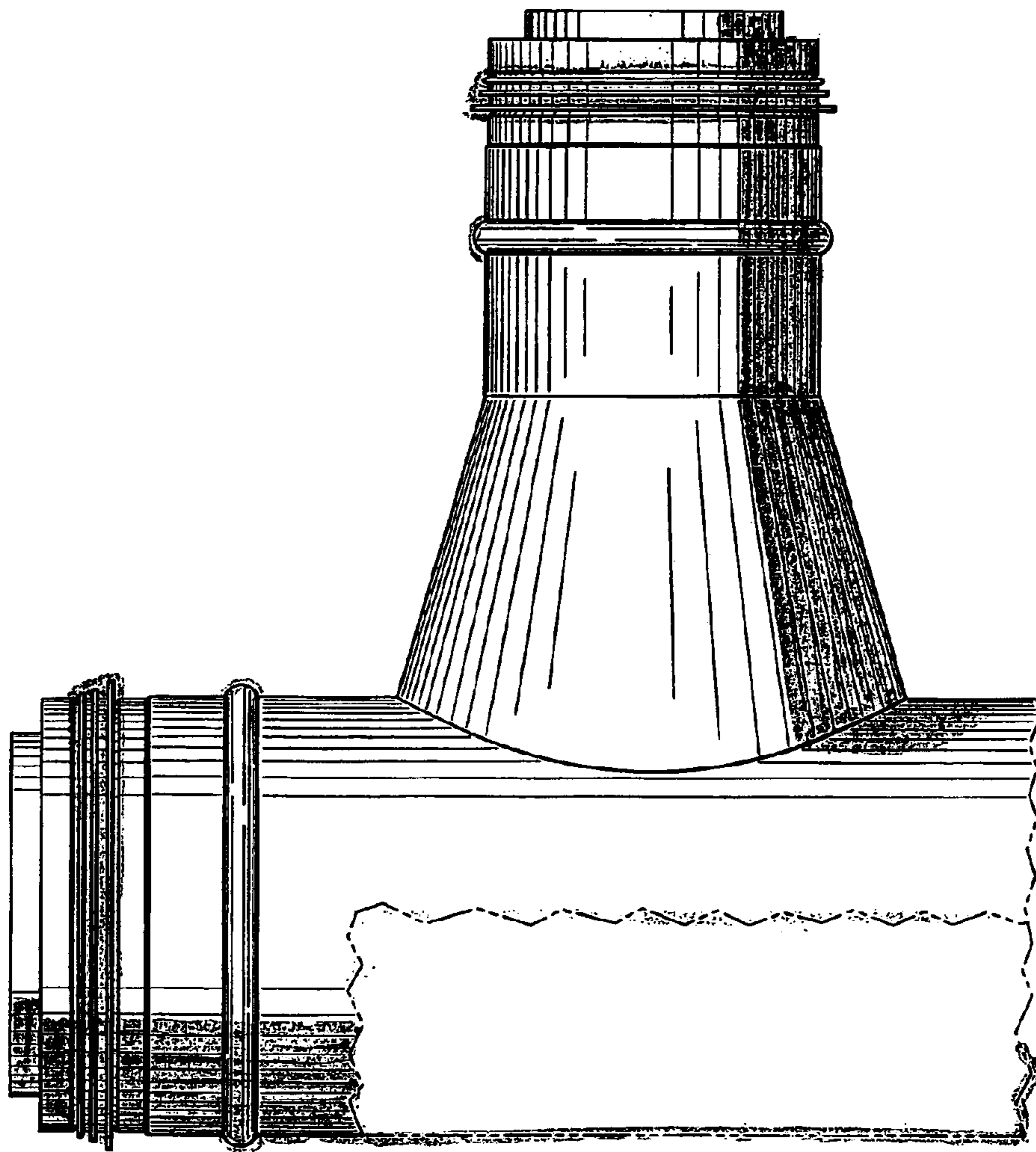


FIG. 6

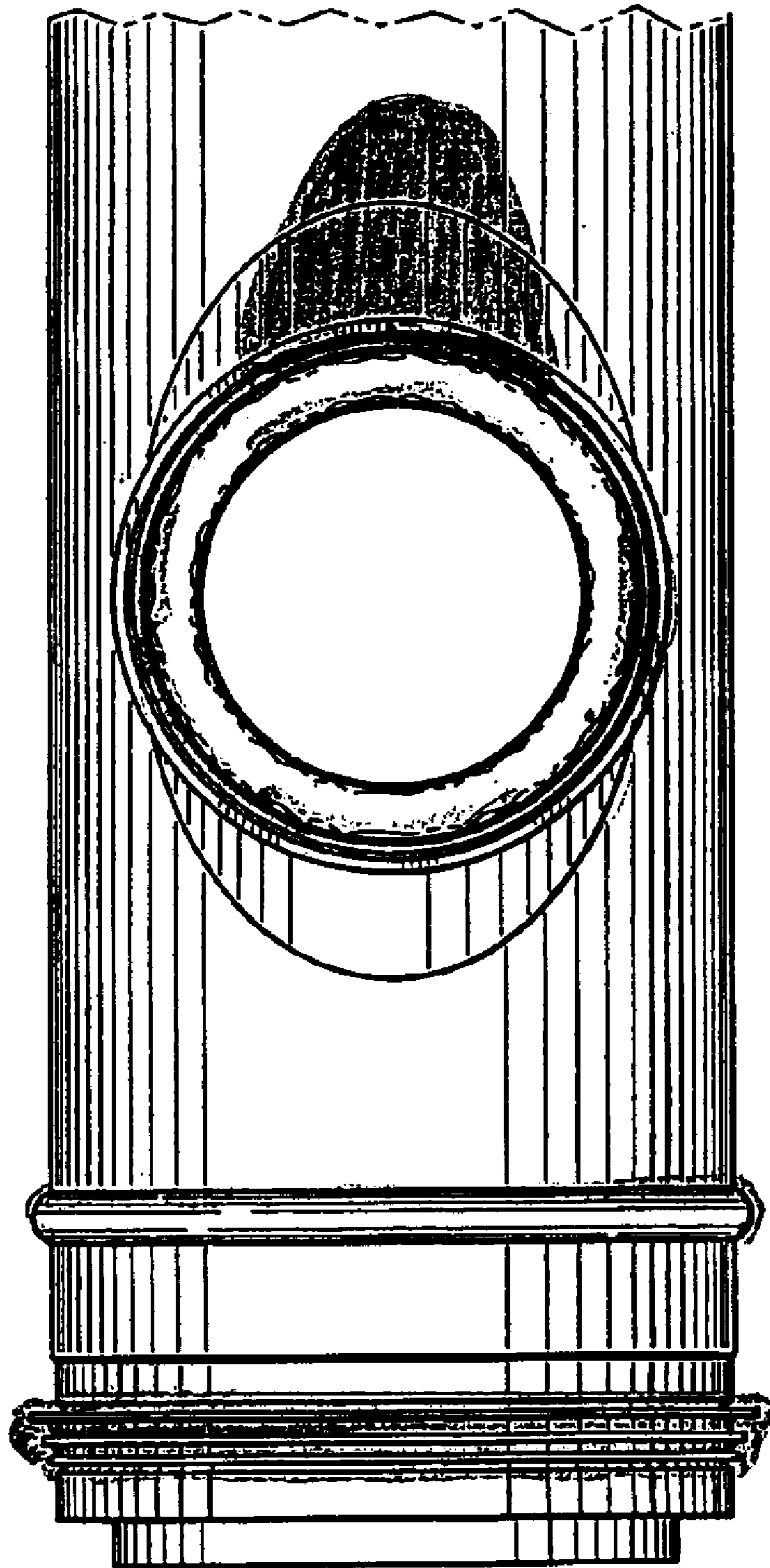


FIG. 7

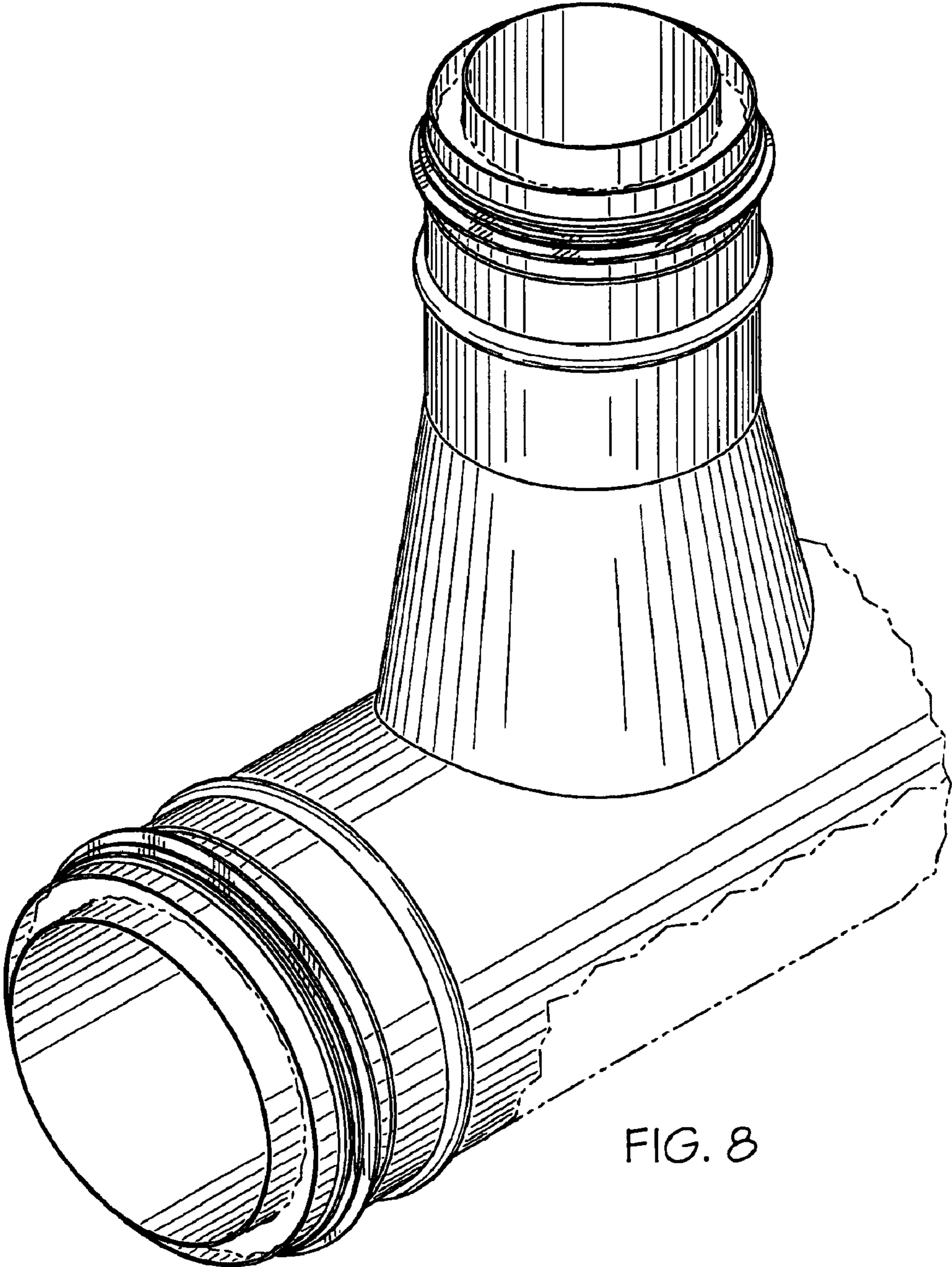


FIG. 8