

US00D527084S

(12) **United States Design Patent**
Helmetsie

(10) **Patent No.:** **US D527,084 S**

(45) **Date of Patent:** **** Aug. 22, 2006**

(54) **BATH SURROUND**

(75) Inventor: **Eugene A. Helmetsie**, Spencer, NY
(US)

(73) Assignee: **American Shower & Bath Corporation**, Moorestown, NJ (US)

(**) Term: **14 Years**

(21) Appl. No.: **29/221,981**

(22) Filed: **Jan. 25, 2005**

(51) **LOC (8) Cl.** **23-02**

(52) **U.S. Cl.** **D23/304**

(58) **Field of Classification Search** D23/273,
D23/277, 280.1–280.3, 303–306; 4/596,
4/605, 614, 538, 584

See application file for complete search history.

(56) **References Cited**

U.S. PATENT DOCUMENTS

D274,458 S * 6/1984 Doman D23/305

4,553,276 A * 11/1985 Paradis 4/596
D443,681 S * 6/2001 Primucci et al. D23/277
D480,126 S * 9/2003 Funk et al. D23/283

* cited by examiner

Primary Examiner—Robert A. Delehanty

(74) *Attorney, Agent, or Firm*—Niray D. Parikh; Lloyd D. Doigan

(57) **CLAIM**

The ornamental design for a bath surround, as shown and described.

DESCRIPTION

FIG. 1 is a perspective view of a bath surround showing my new design;

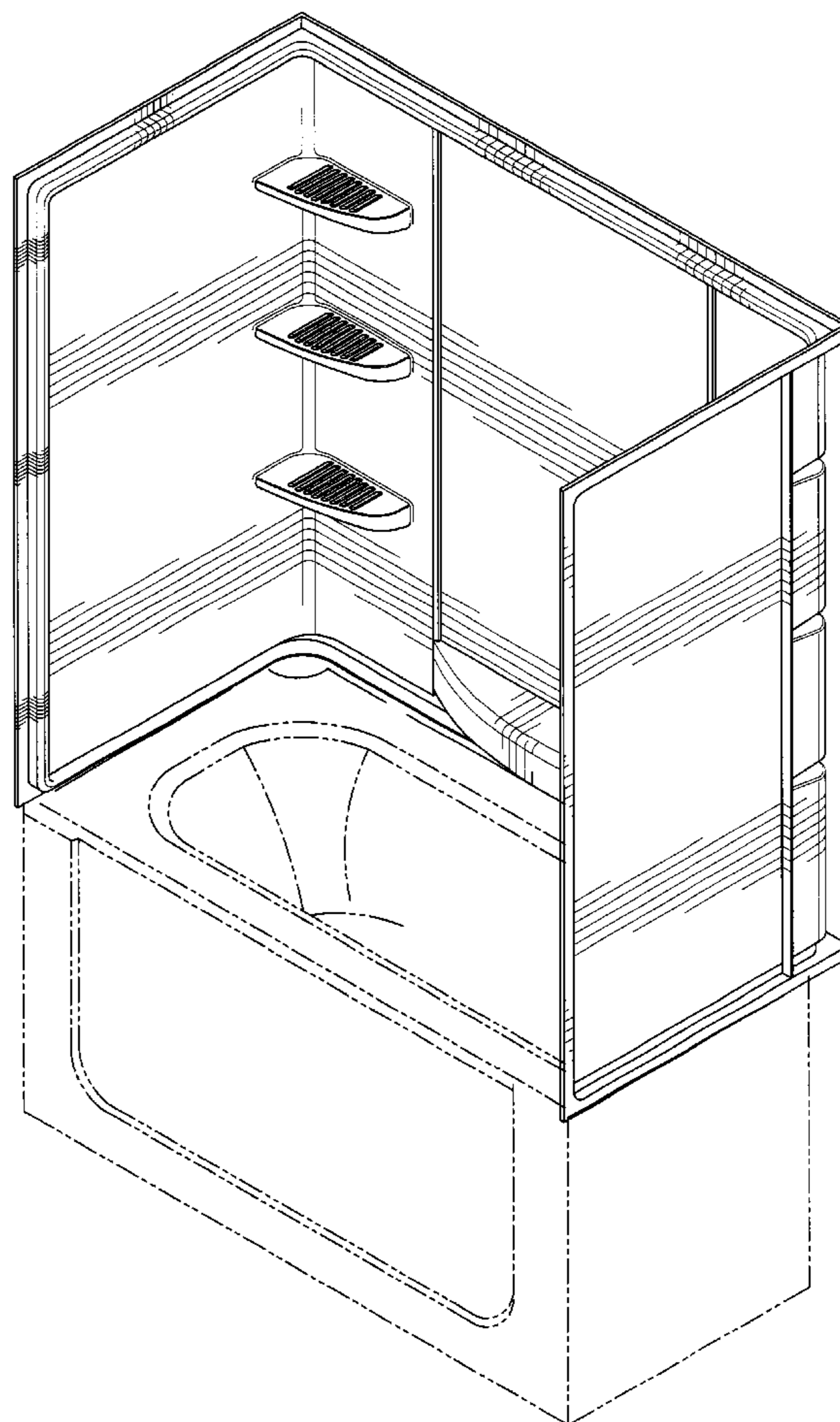
FIG. 2 is a front elevational view thereof;

FIG. 3 is a top plan view thereof; and,

FIG. 4 is a left side view with the right side being a mirror image thereof.

The broken lines showing of a bath tub is for illustration purposes only and forms no part of the claimed design.

1 Claim, 3 Drawing Sheets



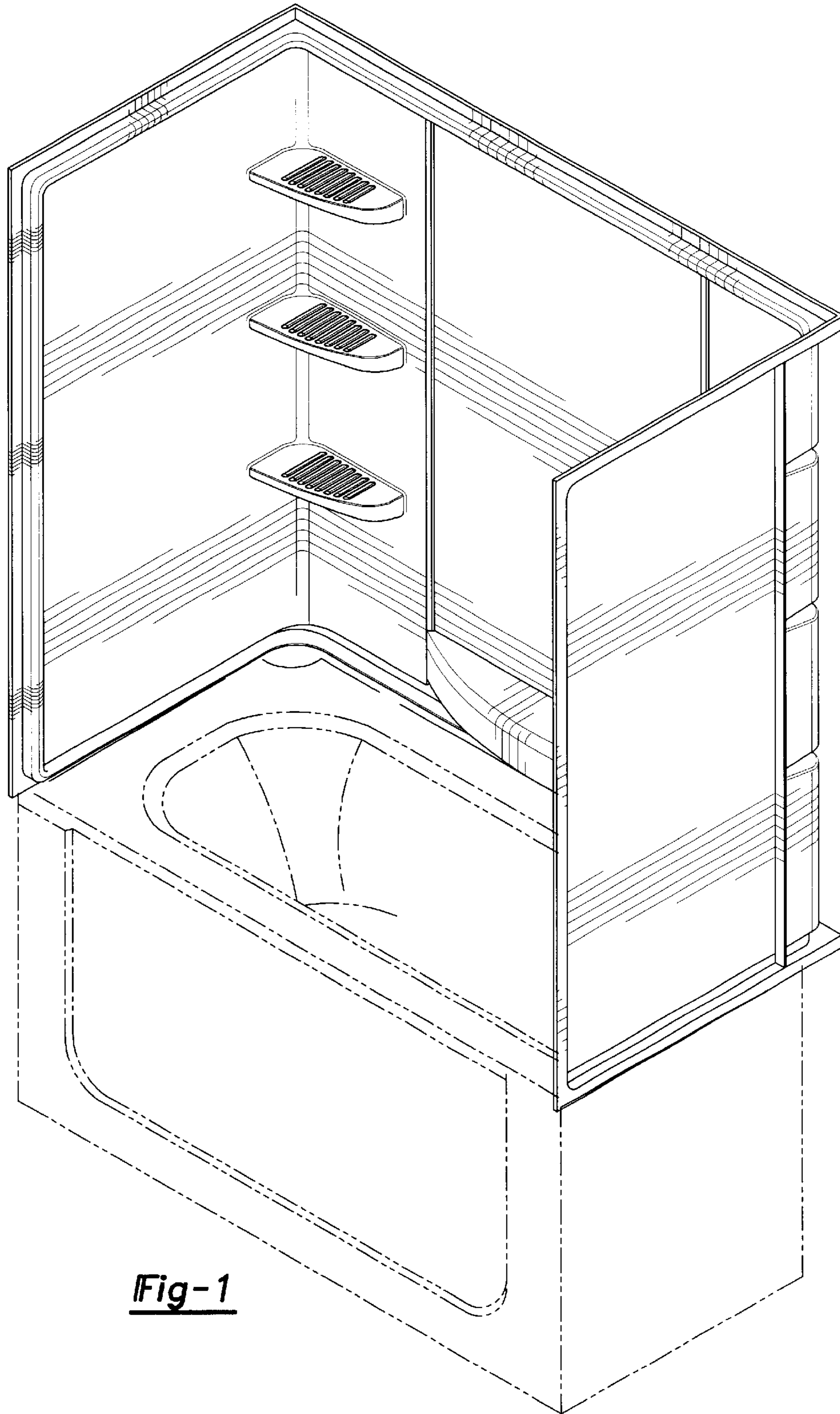


Fig-1

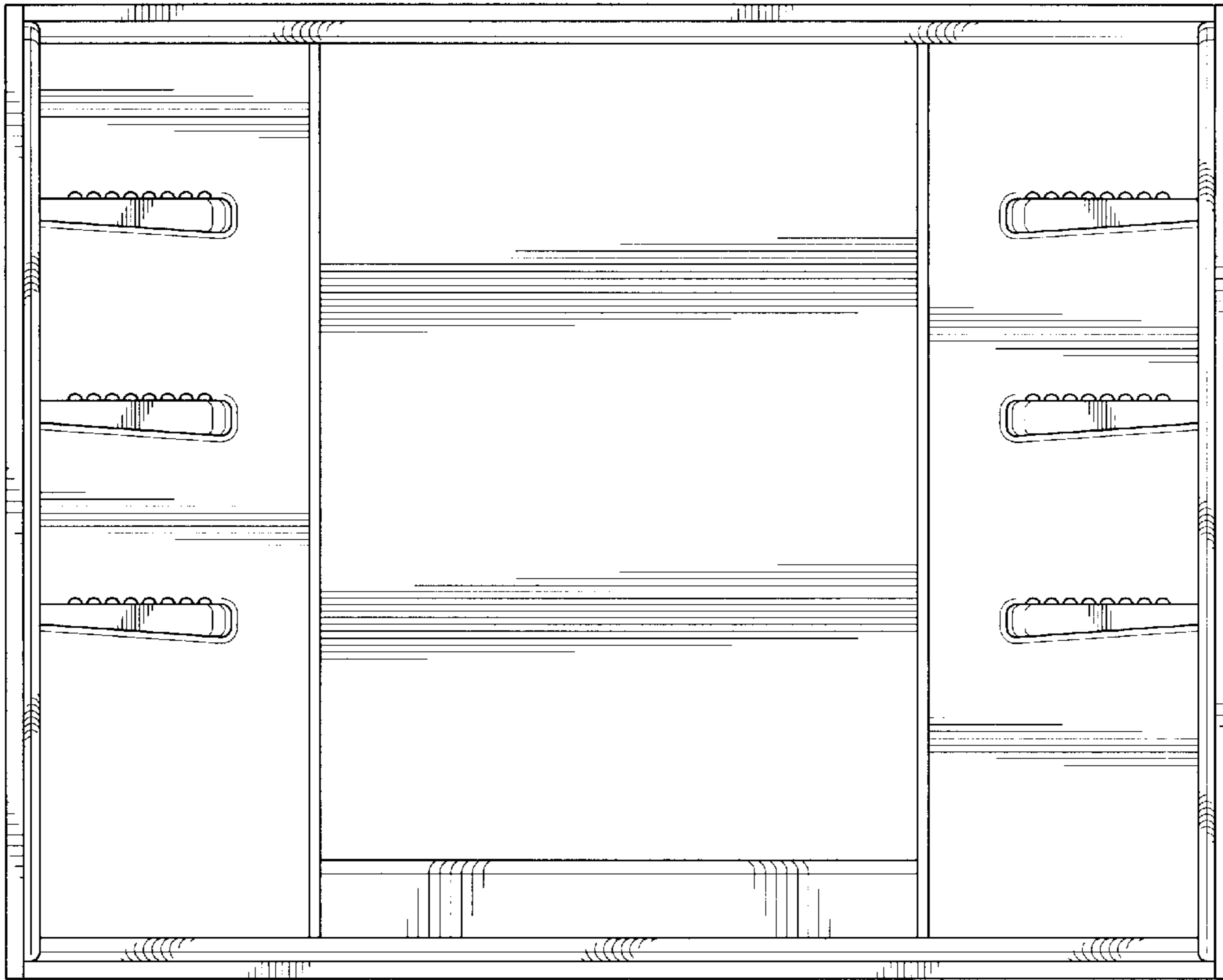


Fig-2

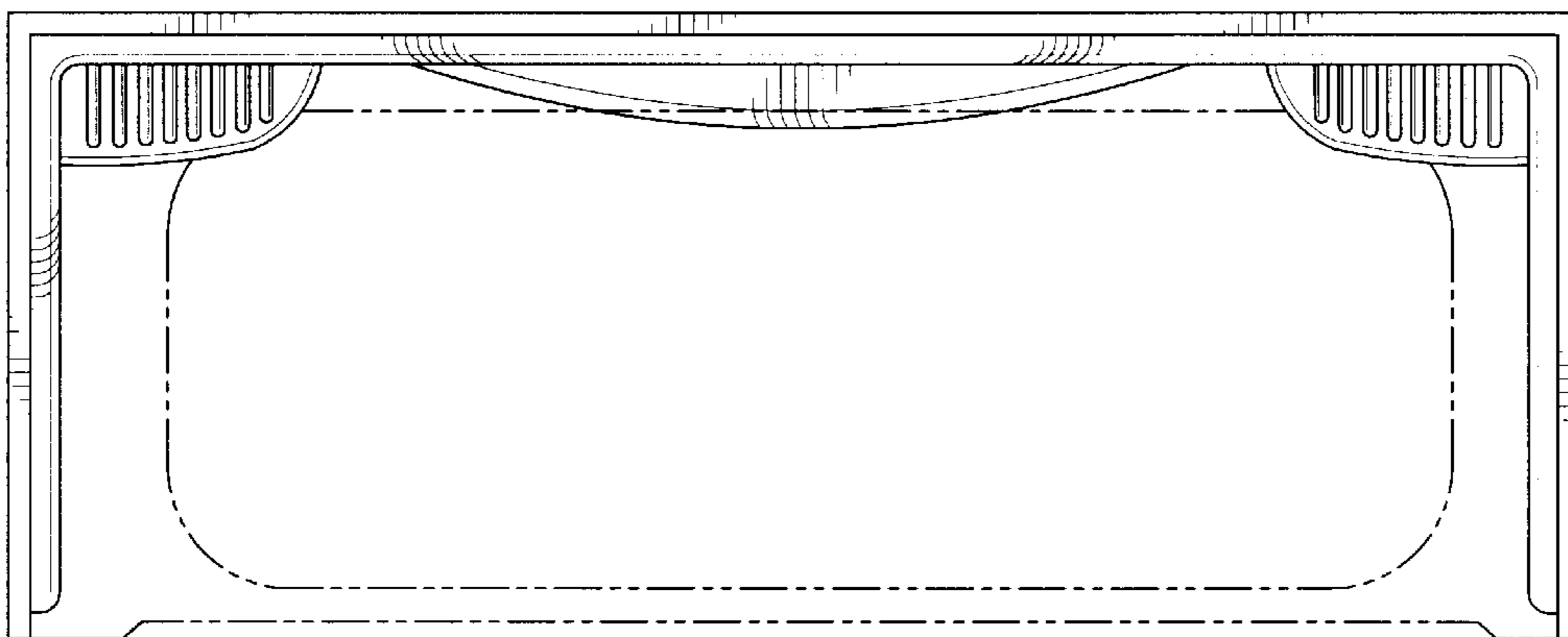


Fig-3

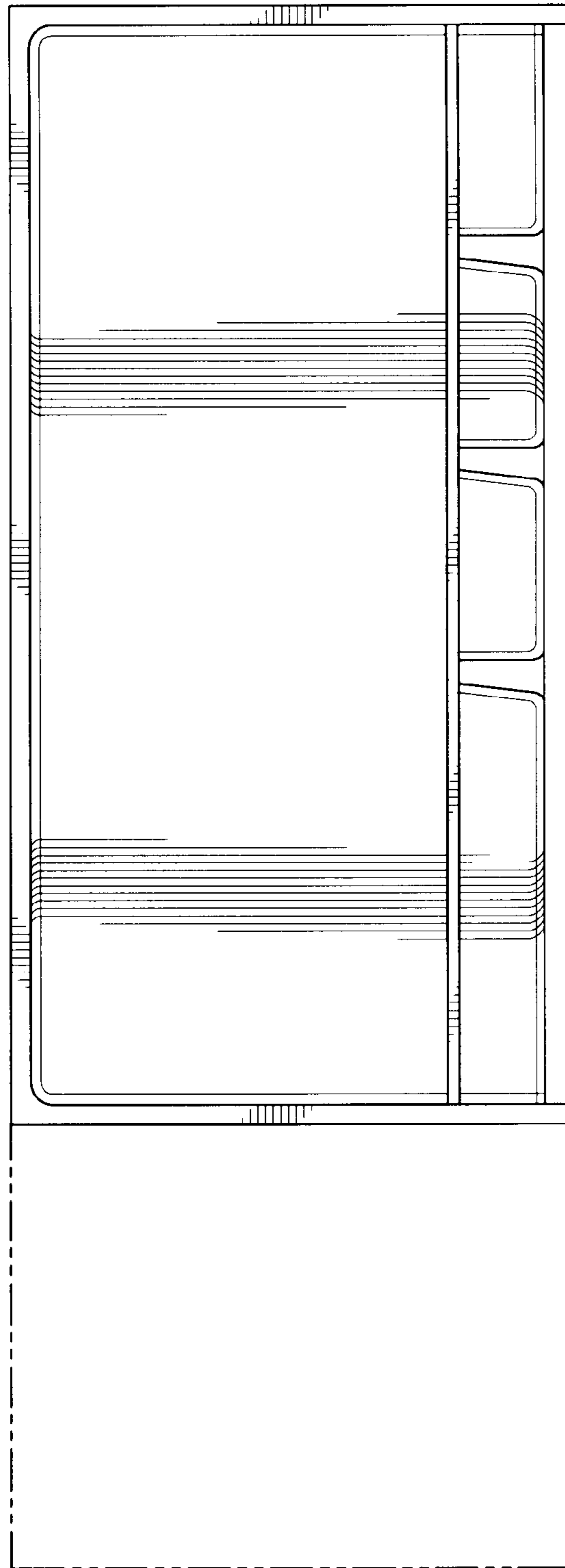


Fig-4