



US00D527082S

(12) **United States Design Patent**  
**Lebrun et al.**

(10) **Patent No.:** **US D527,082 S**

(45) **Date of Patent:** **\*\* Aug. 22, 2006**

(54) **BATHTUB**

(75) Inventors: **Bernard Lebrun**,  
Saint-Joseph-de-Lévis (CA); **Gabriel**  
**Boutin**, Saint-Jean-Chysostome (CA);  
**Bruno Côté**, Saint-Isidore (CA); **Steve**  
**Donnelly**, Saint-Antoine-de-Tilly (CA);  
**Sylvain Dufour**, Lachenaie (CA);  
**Nicolas Lebrun**, St-Isidore (CA); **John**  
**Penterman**, Montréal (CA); **Suzanne**  
**Ouellette**, Montréal (CA)

(73) Assignee: **Maax Canada Inc.**, Montreal (CA)

(\*\*) Term: **14 Years**

(21) Appl. No.: **29/223,911**

(22) Filed: **Feb. 23, 2005**

(30) **Foreign Application Priority Data**

Jun. 28, 2004 (CA) ..... 107400

(51) **LOC (8) Cl.** ..... **23-02**

(52) **U.S. Cl.** ..... **D23/280.1**

(58) **Field of Classification Search** ..... D23/273,  
D23/276-277, 280.1-280.3, 303-306, 284,  
D23/293.1, 308; D24/204-205; 4/538, 584

See application file for complete search history.

(56) **References Cited**

U.S. PATENT DOCUMENTS

505,041 A \* 9/1893 Fergeson ..... 4/584  
D266,692 S \* 10/1982 Harrison ..... D23/280.1  
D510,984 S \* 10/2005 Matthews et al. .... D23/280.1

\* cited by examiner

*Primary Examiner*—Robert A Delehanty

(57) **CLAIM**

The ornamental design of a bathtub, as shown and described.

**DESCRIPTION**

FIG. 1 is a front perspective view of the bathtub, showing our new design;

FIG. 2 is a top view thereof;

FIG. 3 is a bottom view thereof;

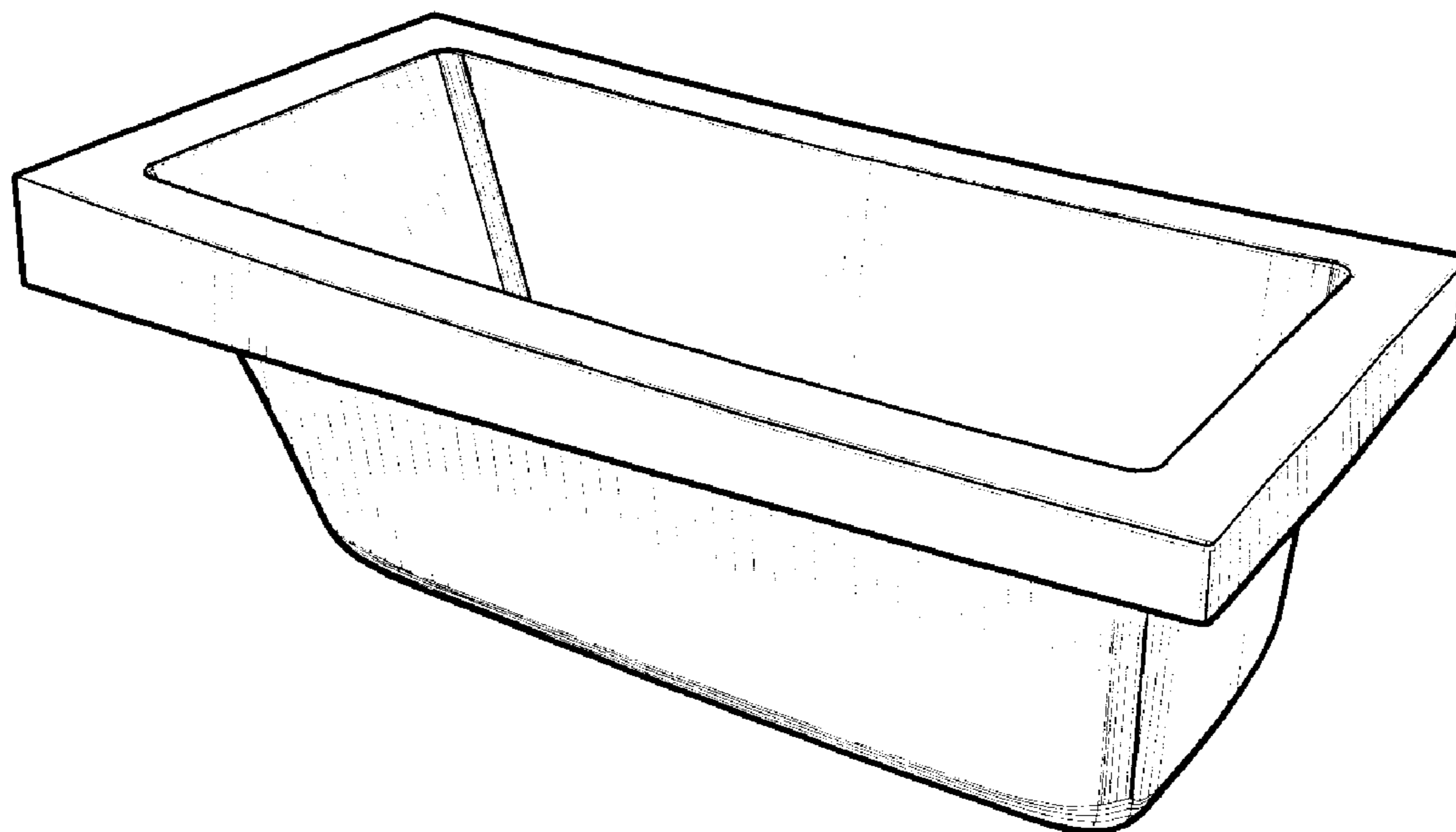
FIG. 4 is a front elevation view thereof;

FIG. 5 is a right side elevation view thereof;

FIG. 6 is a rear elevation view thereof; and,

FIG. 7 is a left side elevation view thereof.

**1 Claim, 2 Drawing Sheets**



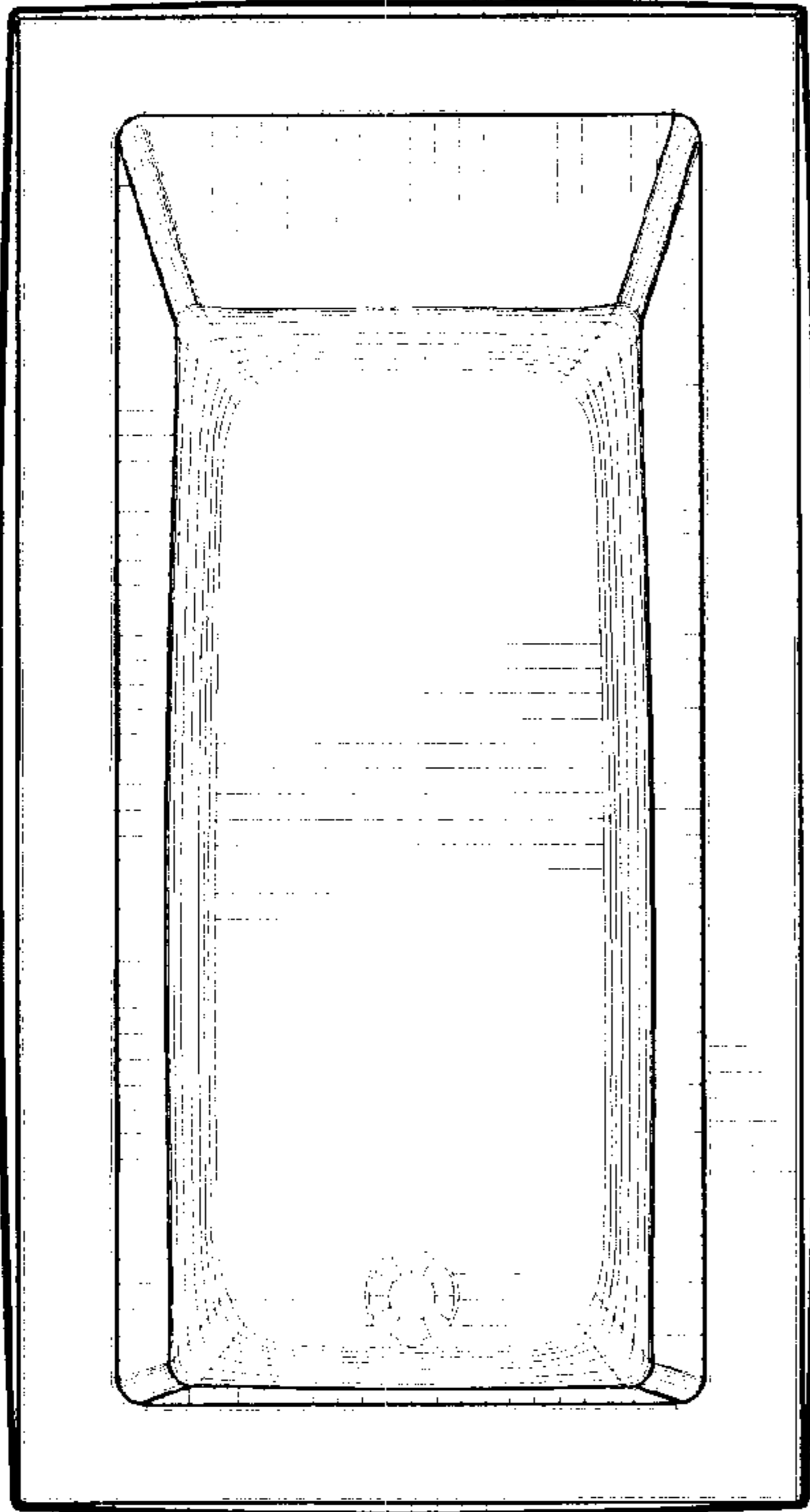


Fig. 2.

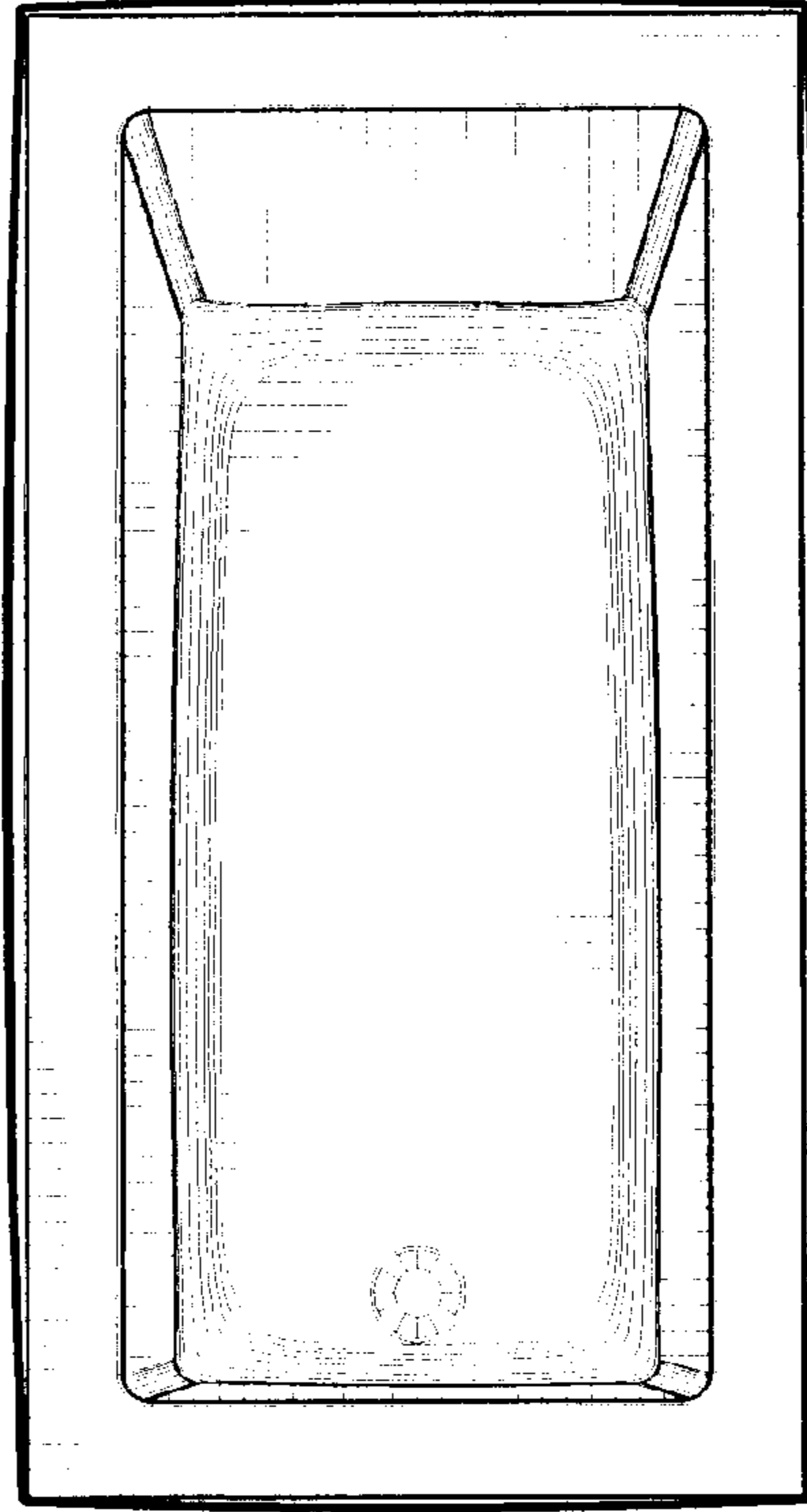


Fig. 3.

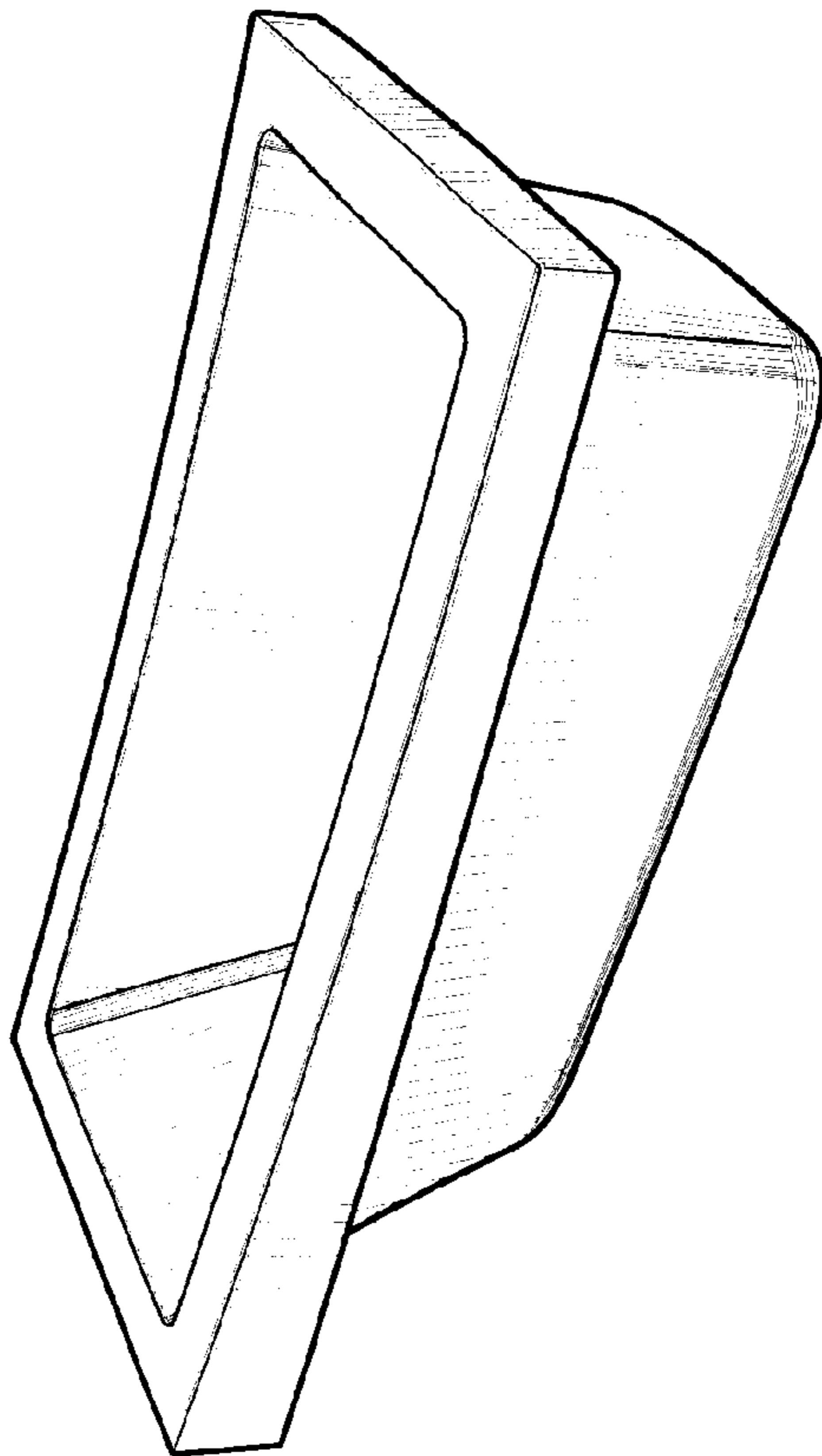


Fig. 1.

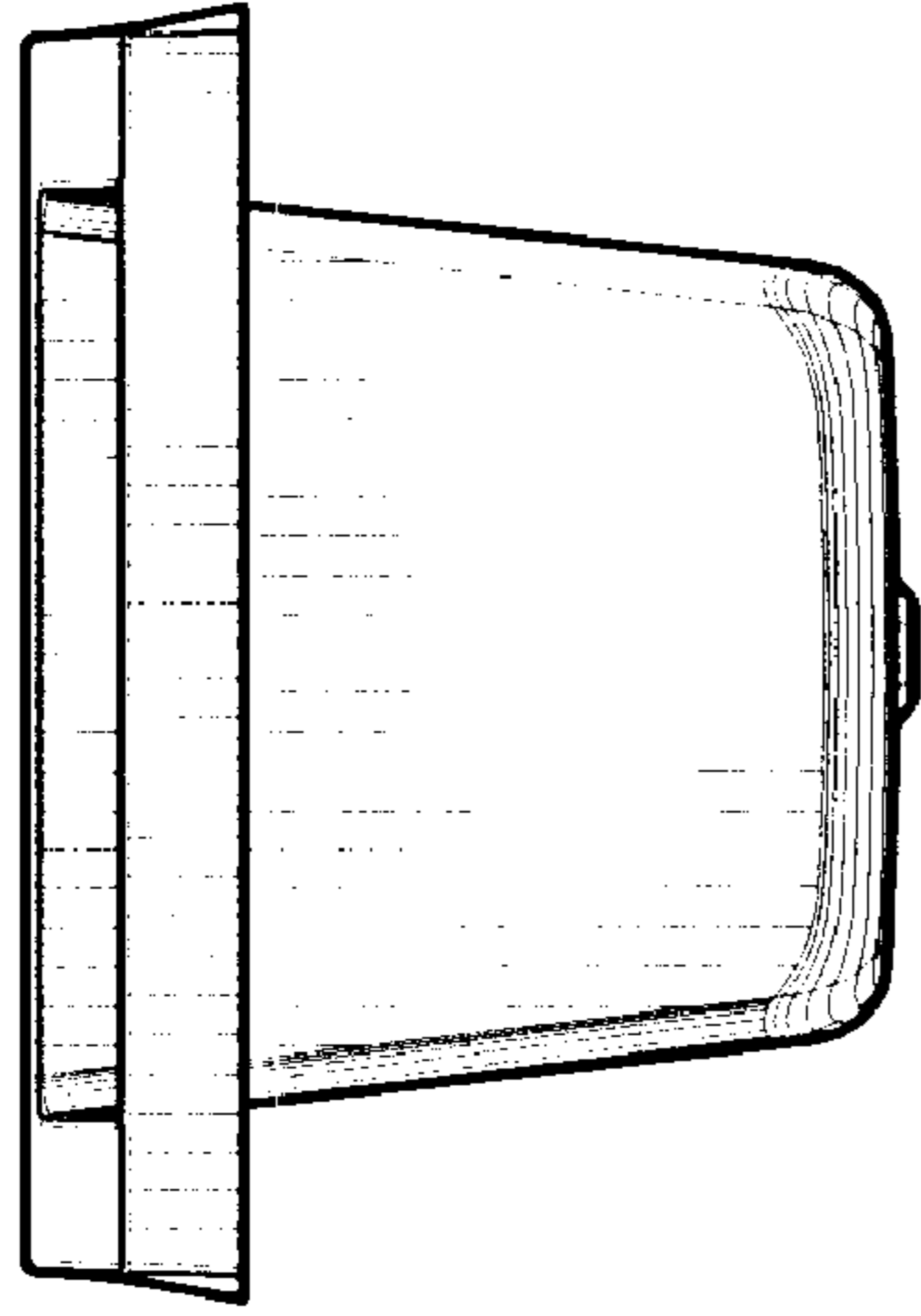


Fig. 5.

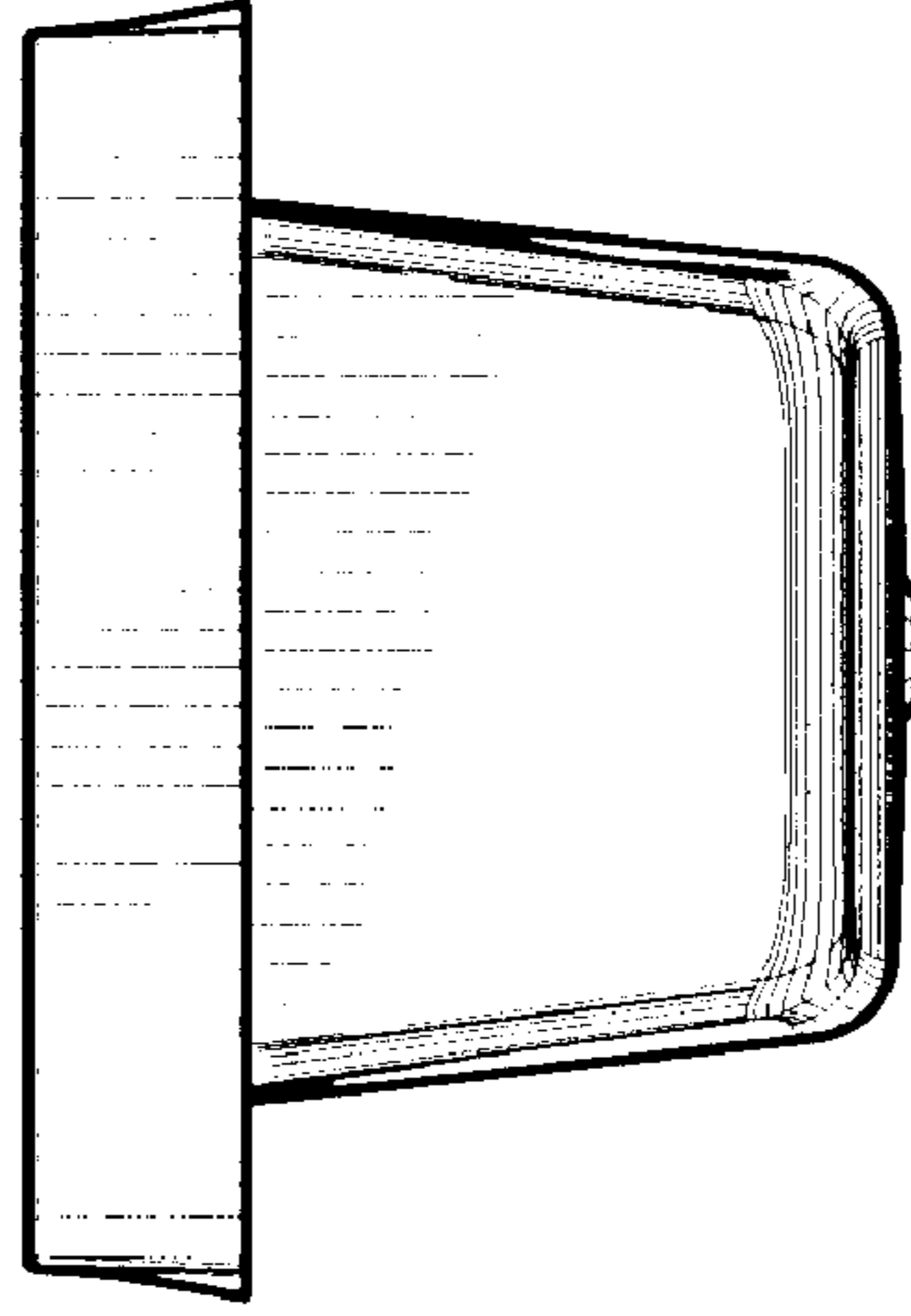


Fig. 7.

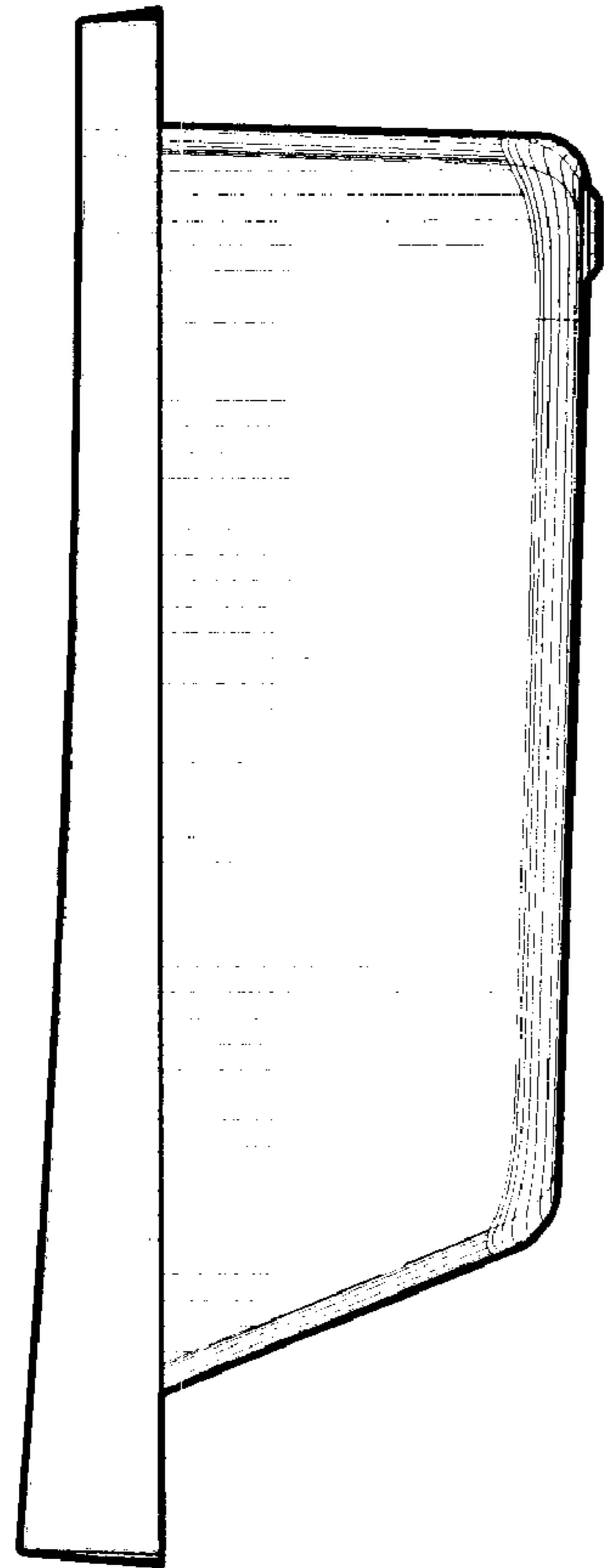


Fig. 4.

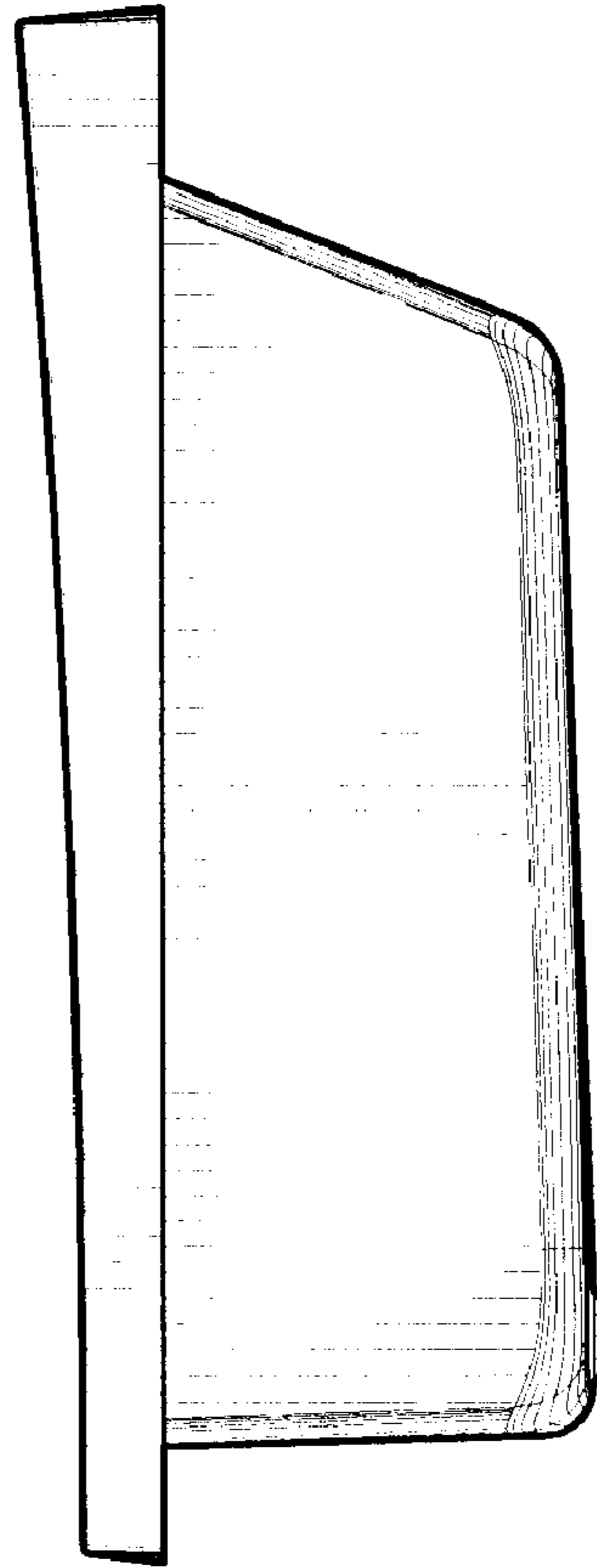


Fig. 6.