



US00D527081S

(12) **United States Design Patent**
Hatrack-Smith

(10) **Patent No.:** **US D527,081 S**
(45) **Date of Patent:** **** Aug. 22, 2006**

(54) **TUB FOR BATHING**

D485,603 S 1/2004 Lyons

(75) Inventor: **John A. Hatrick-Smith**, Auckland (NZ)

OTHER PUBLICATIONS

(73) Assignee: **Kohler Co.**, Kohler, WI (US)

Kohler Design Data Page, showing tub with similar appearance.

(**) Term: **14 Years**

Surrey and Suffolk website page, showing tub with similar appearance, dated Dec. 13, 2004.

(21) Appl. No.: **29/223,413**

* cited by examiner

(22) Filed: **Feb. 14, 2005**

Primary Examiner—Robert A Delehanty

(51) **LOC (8) Cl.** **23-02**

(74) *Attorney, Agent, or Firm*—Quarles & Brady LLP

(52) **U.S. Cl.** **D23/280.1**

(57) **CLAIM**

(58) **Field of Classification Search** D23/273,
D23/276–277, 280.1–280.3, 303–306; D24/204–205;
4/538, 584

The ornamental design for a tub for bathing, as shown and described.

See application file for complete search history.

DESCRIPTION

(56) **References Cited**

In a preferred embodiment, the nature of this product is as a plumbing fixture in the form of a bathing tub primary useful for washing the human body.

U.S. PATENT DOCUMENTS

FIG. 1 is a top, left, front perspective view of a tub for bathing embodying my new design;

D265,582 S	7/1982	Kohler, Jr.	
D269,460 S	6/1983	Kohler, Jr.	
D286,679 S	11/1986	D’Innocente et al.	
D318,720 S	7/1991	Dowse	
D334,054 S	3/1993	Levien	
D373,817 S	9/1996	Andronico	
D392,029 S	3/1998	Singla Palacin	
D393,697 S	4/1998	Hundley	
D394,696 S	5/1998	Hundley	
D395,698 S	6/1998	Singla Palacin	
D428,475 S	7/2000	Thomas	
D454,387 S	3/2002	Bertoli	
D456,064 S	4/2002	Soulier	
D468,813 S	1/2003	Kohler et al.	
D481,111 S	10/2003	Carey	
D482,763 S	* 11/2003	Thomas D23/280.1

FIG. 2 is a top plan view thereof;

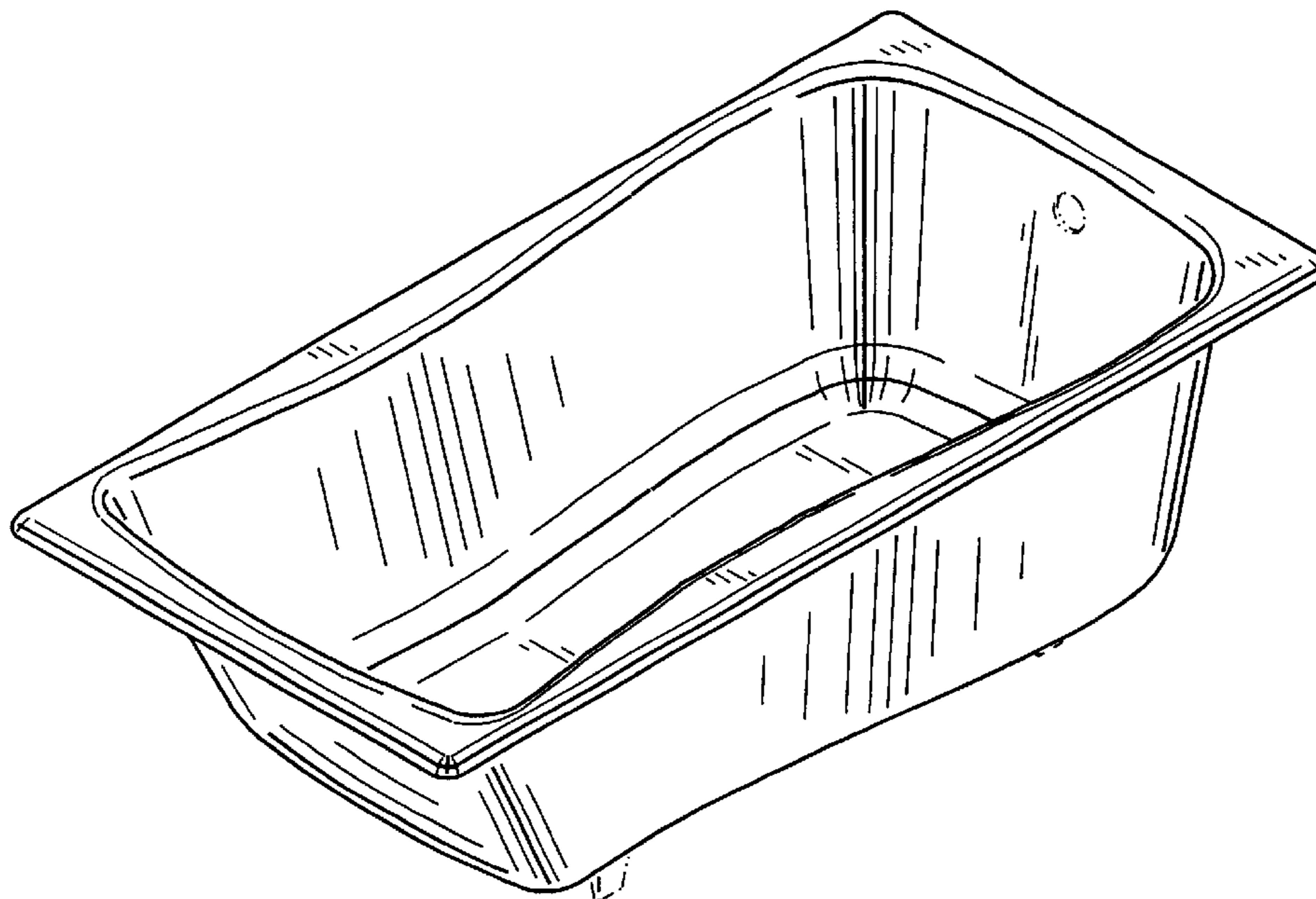
FIG. 3 is a front side elevational view thereof, the rear elevational view thereof being a mirror image of the front side shown;

FIG. 4 is a right side elevational view thereof; and,

FIG. 5 is a left side elevational view thereof.

The broken line representations of a drain in FIGS. 2–5 and an overflow/control opening in FIGS. 1–2 and 4 are for the purpose of illustration only, and form no part of the claimed design.

1 Claim, 2 Drawing Sheets



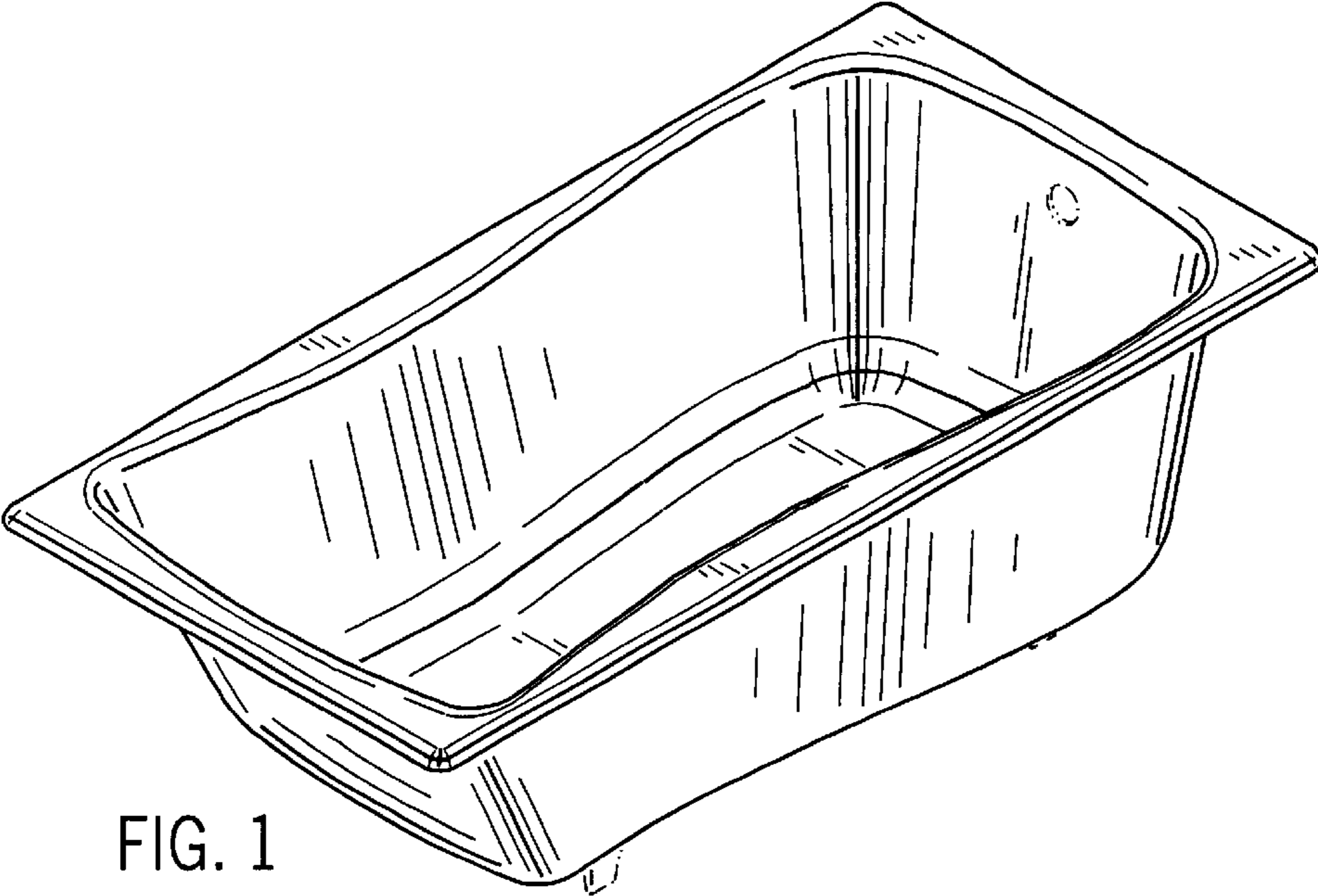


FIG. 1

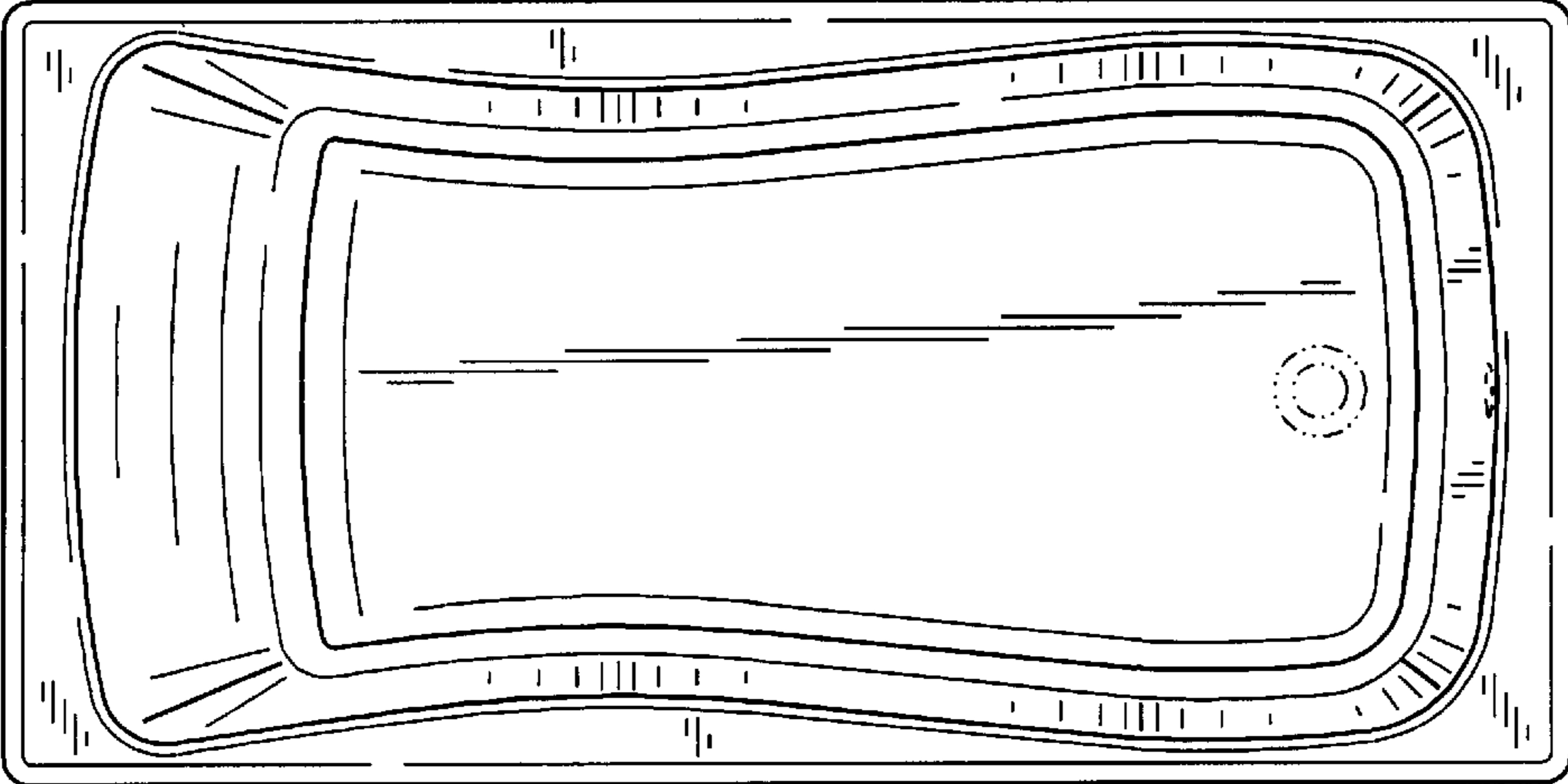


FIG. 2

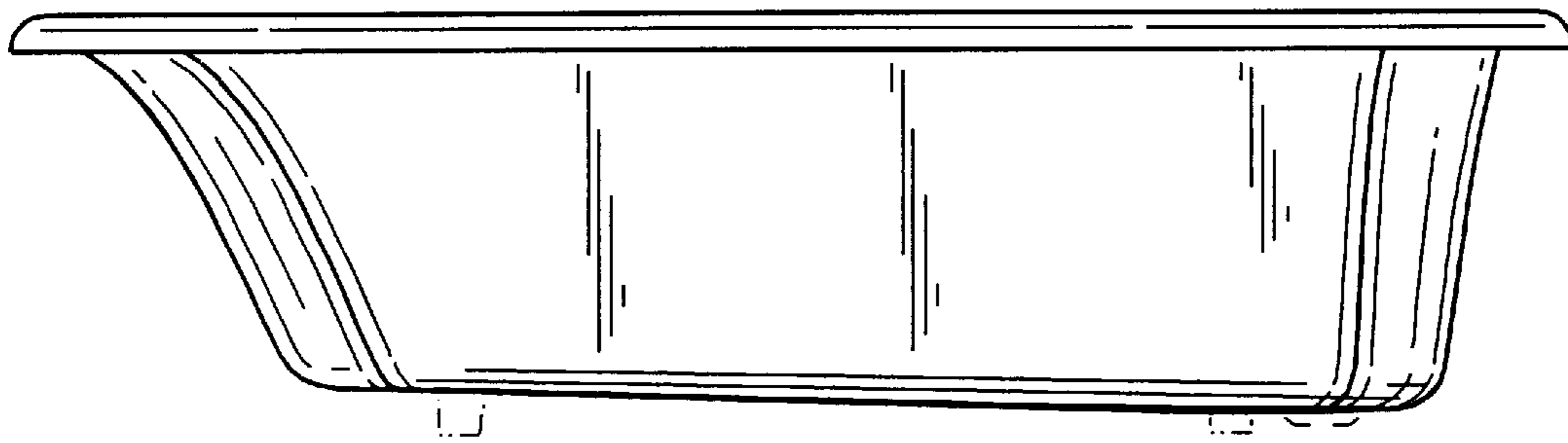


FIG. 3

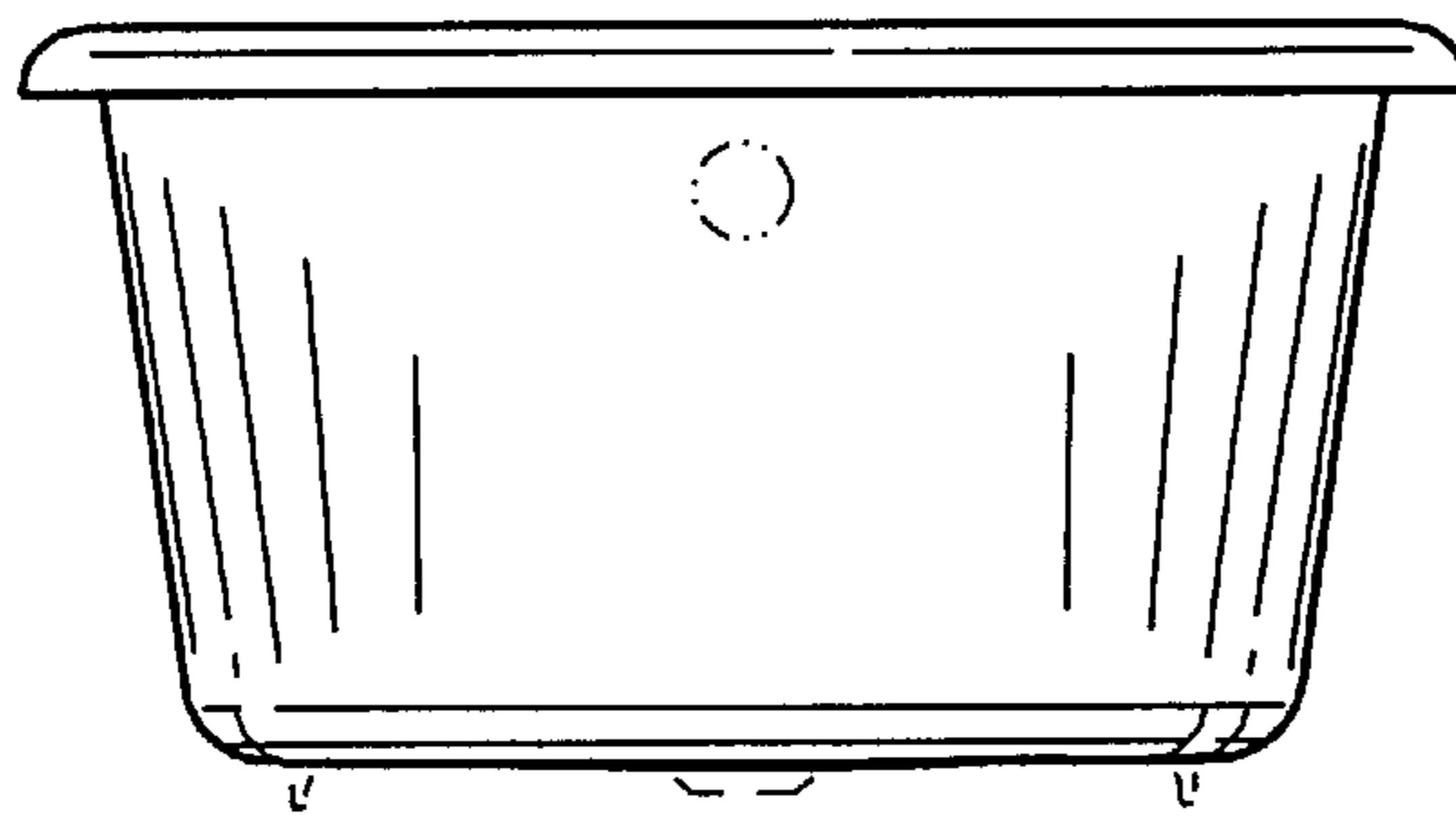


FIG. 4

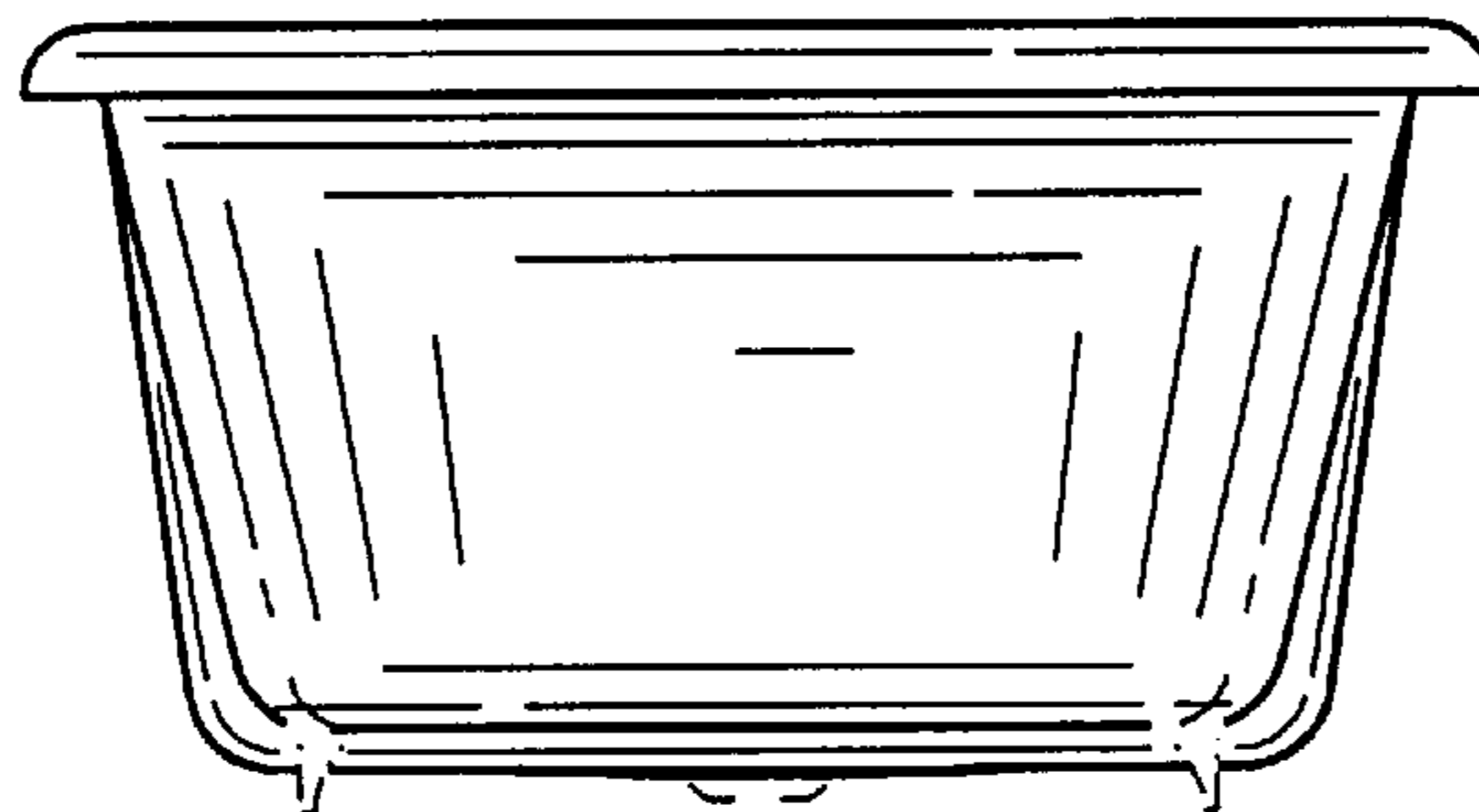


FIG. 5