



US00D527077S

(12) **United States Design Patent**
Chen

(10) **Patent No.:** **US D527,077 S**

(45) **Date of Patent:** **** Aug. 22, 2006**

(54) **GATE VALVE**

(76) Inventor: **Jianming Chen**, No. 1 Longgao Road
Meidong Section, Jingjiang Town,
Nanhai District, Foshan City,
Guangdong Province (CN), 528203

(**) Term: **14 Years**

(21) Appl. No.: **29/225,530**

(22) Filed: **Mar. 17, 2005**

(30) **Foreign Application Priority Data**

Sep. 20, 2004 (CN) 2004300753997

(51) **LOC (8) Cl.** **23-01**

(52) **U.S. Cl.** **D23/244**

(58) **Field of Classification Search** D23/233-237,
D23/244-249; 251/326-329, 305, 331
See application file for complete search history.

(56) **References Cited**

U.S. PATENT DOCUMENTS

D292,820 S * 11/1987 Kemp D23/244
D292,935 S * 11/1987 Kemp D23/244

D292,983 S * 12/1987 Kanoui D16/322
2003/0116742 A1 * 6/2003 Anderson et al. 251/326
2006/0038155 A1 * 2/2006 Lam 251/326

* cited by examiner

Primary Examiner—Terry A. Wallace

Assistant Examiner—Maurice Stevens

(74) *Attorney, Agent, or Firm*—Knobbe, Martens, Olson &
Bear LLP

(57) **CLAIM**

The ornamental design for a gate valve, as shown and
described.

DESCRIPTION

FIG. 1 is a perspective view showing the gate valve embody-
ing the new design;

FIG. 2 is a right side view of the design in FIG. 1;

FIG. 3 is a left side view of the design of FIG. 1;

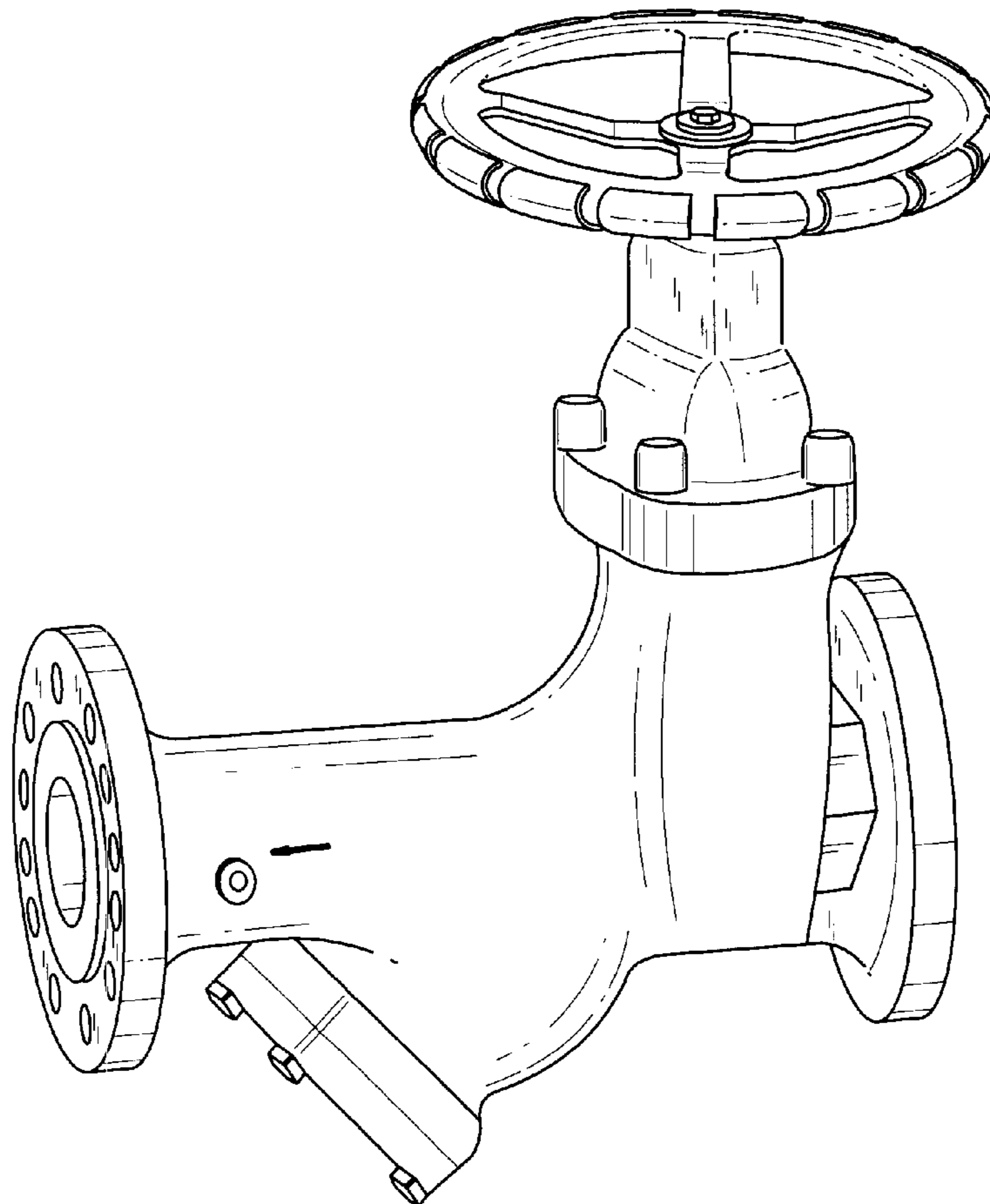
FIG. 4 is a bottom view of the design of FIG. 1;

FIG. 5 is a top view of the design of FIG. 1;

FIG. 6 is a front view of the design of FIG. 1; and,

FIG. 7 is a rear view of the design of FIG. 1.

1 Claim, 6 Drawing Sheets



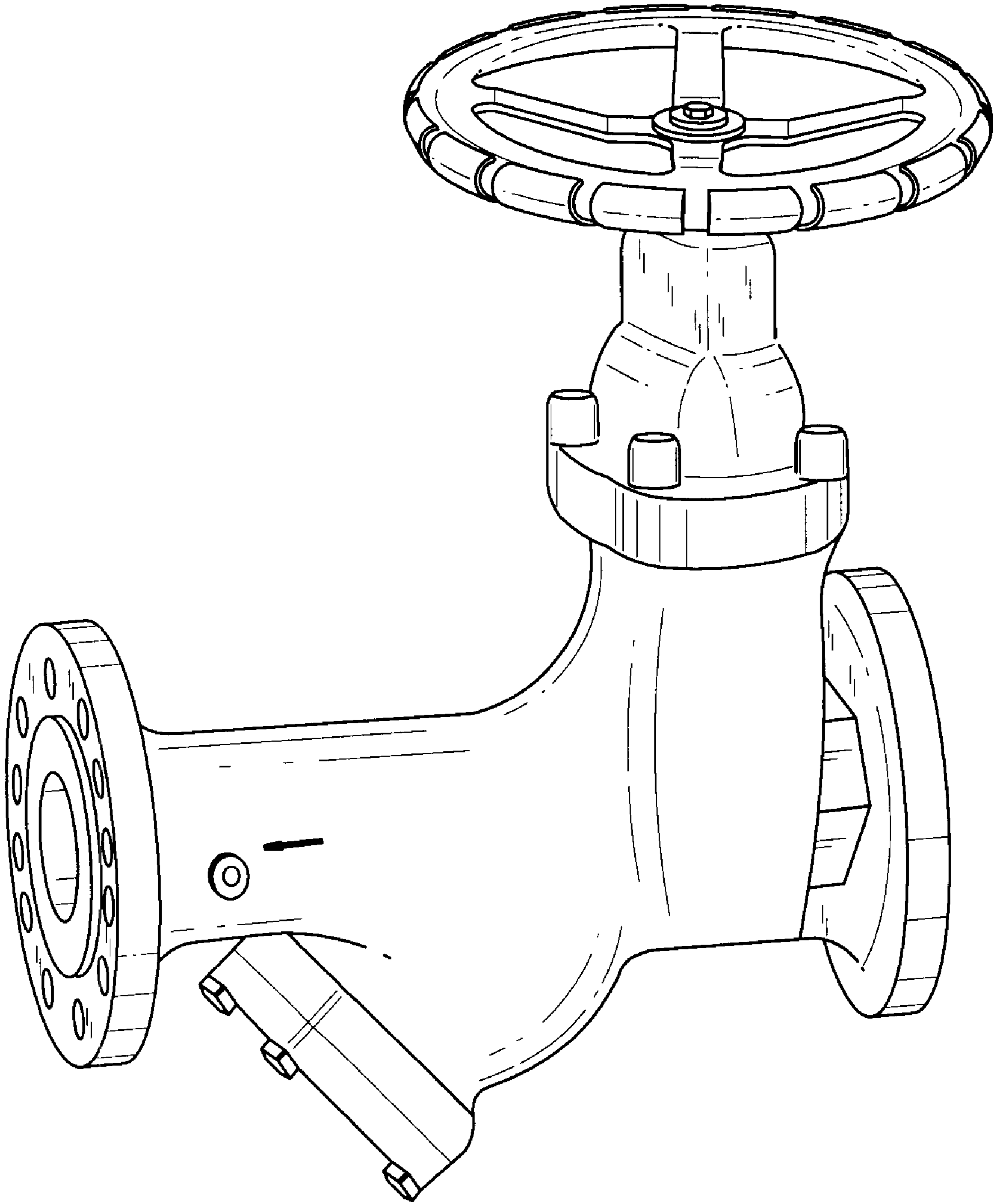


FIG.1

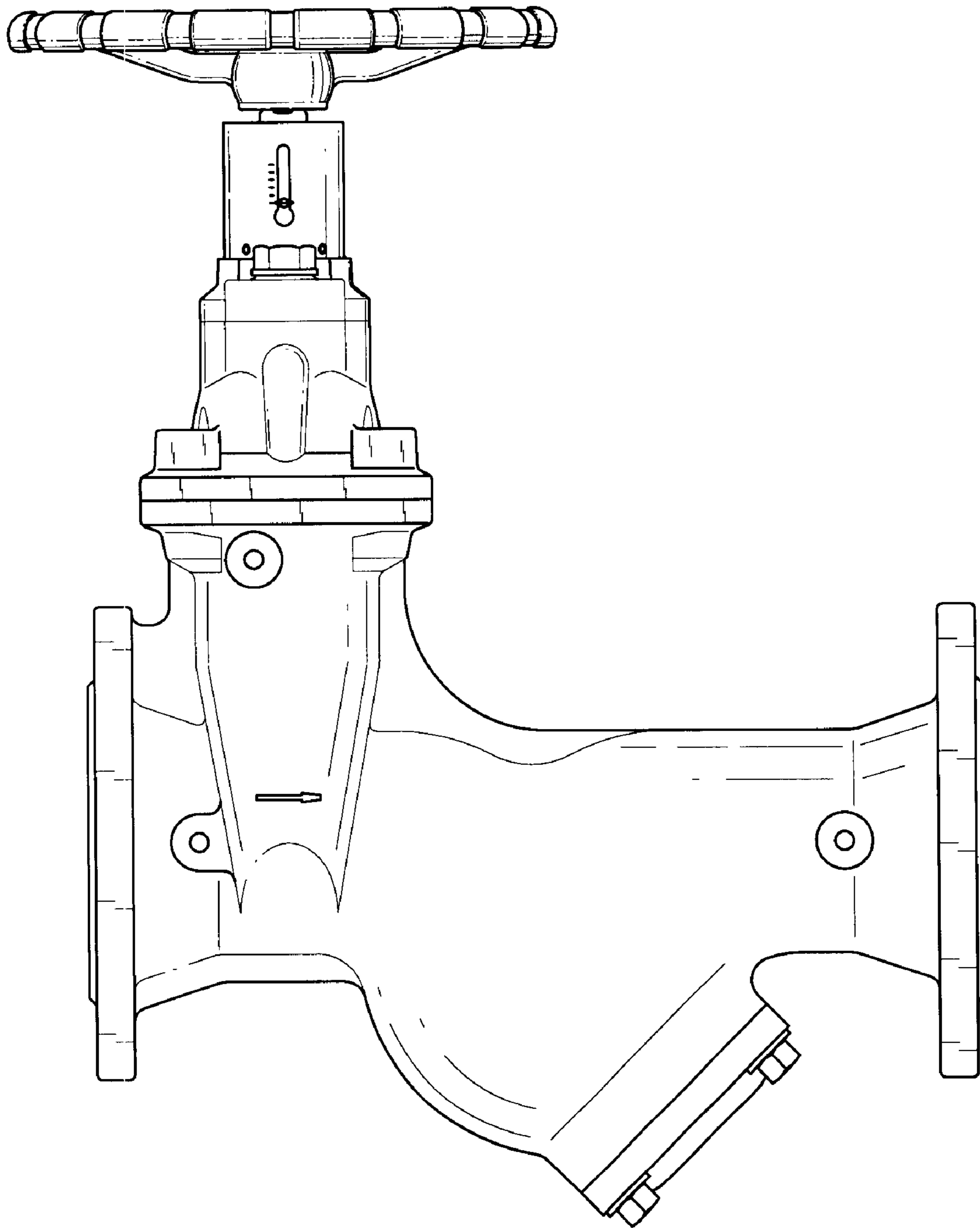


FIG. 2

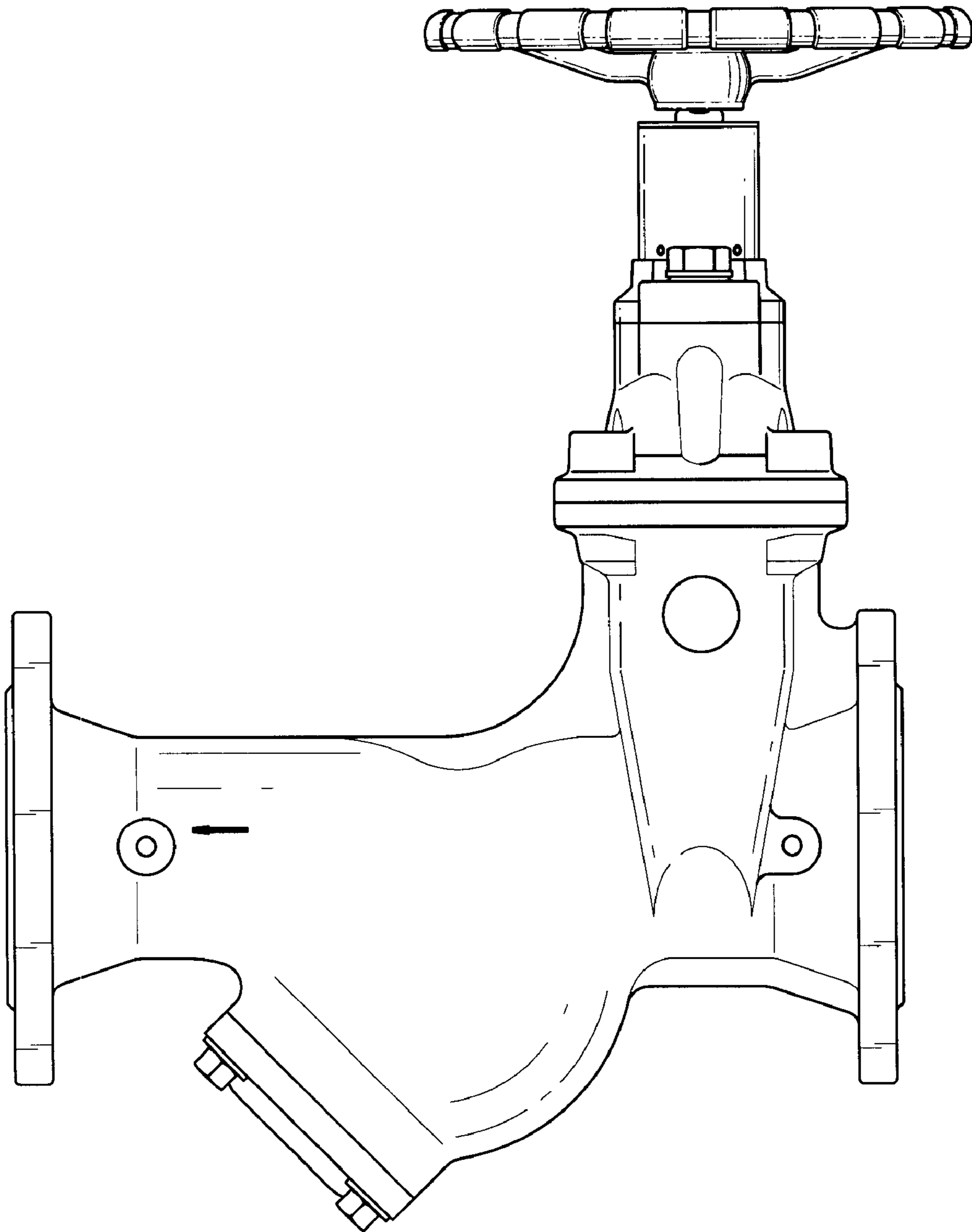


FIG. 3

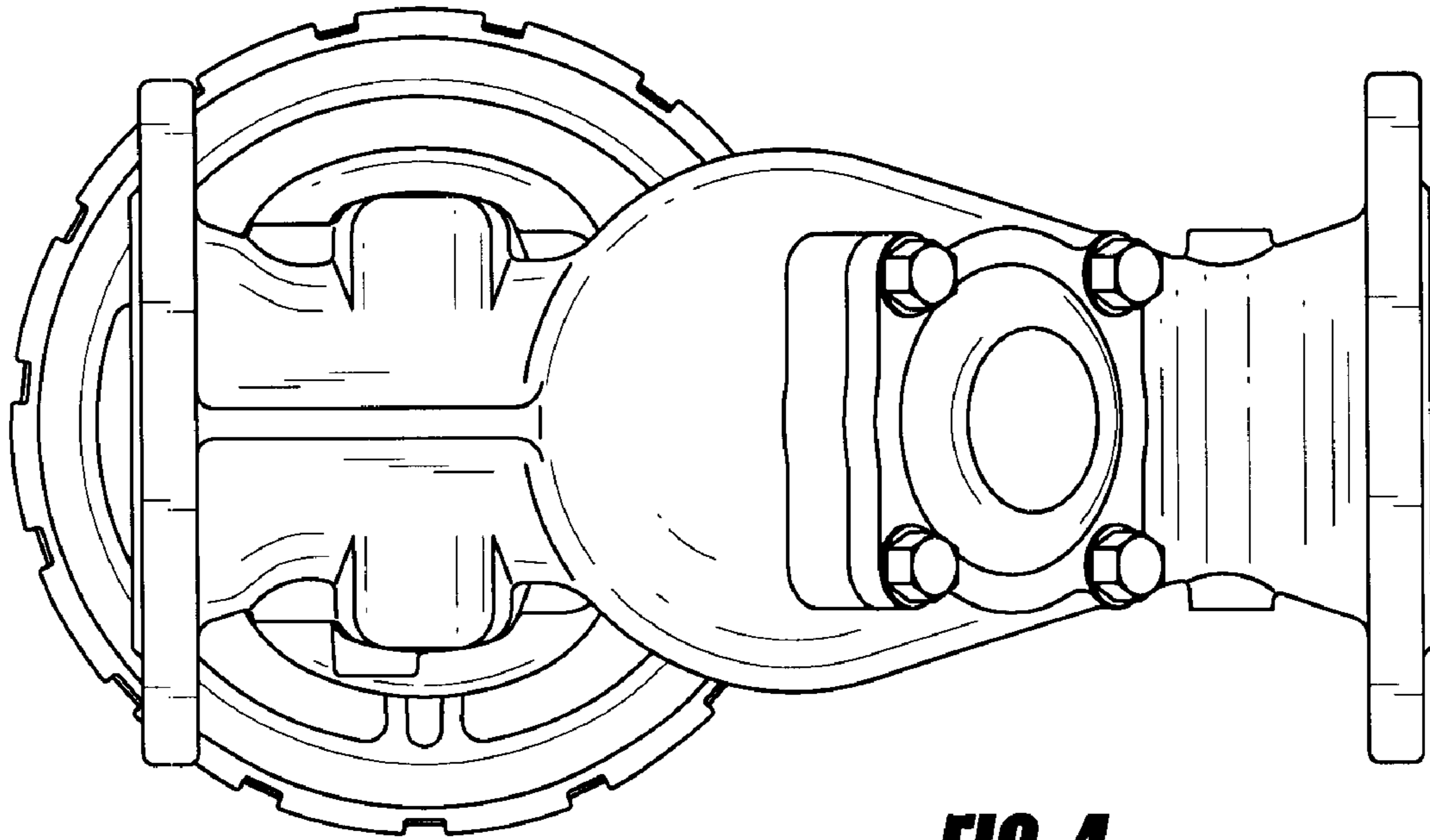


FIG. 4

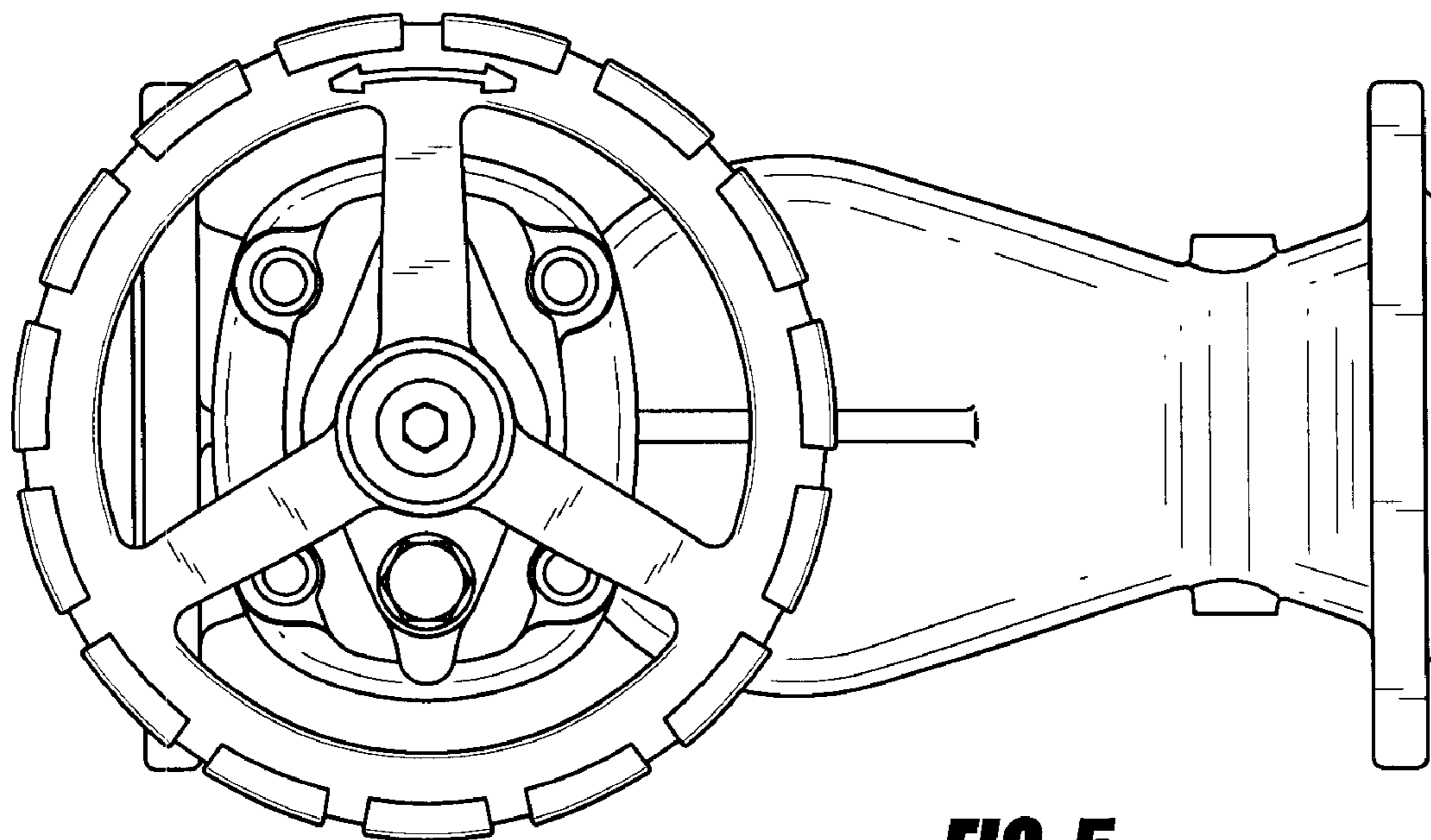


FIG. 5

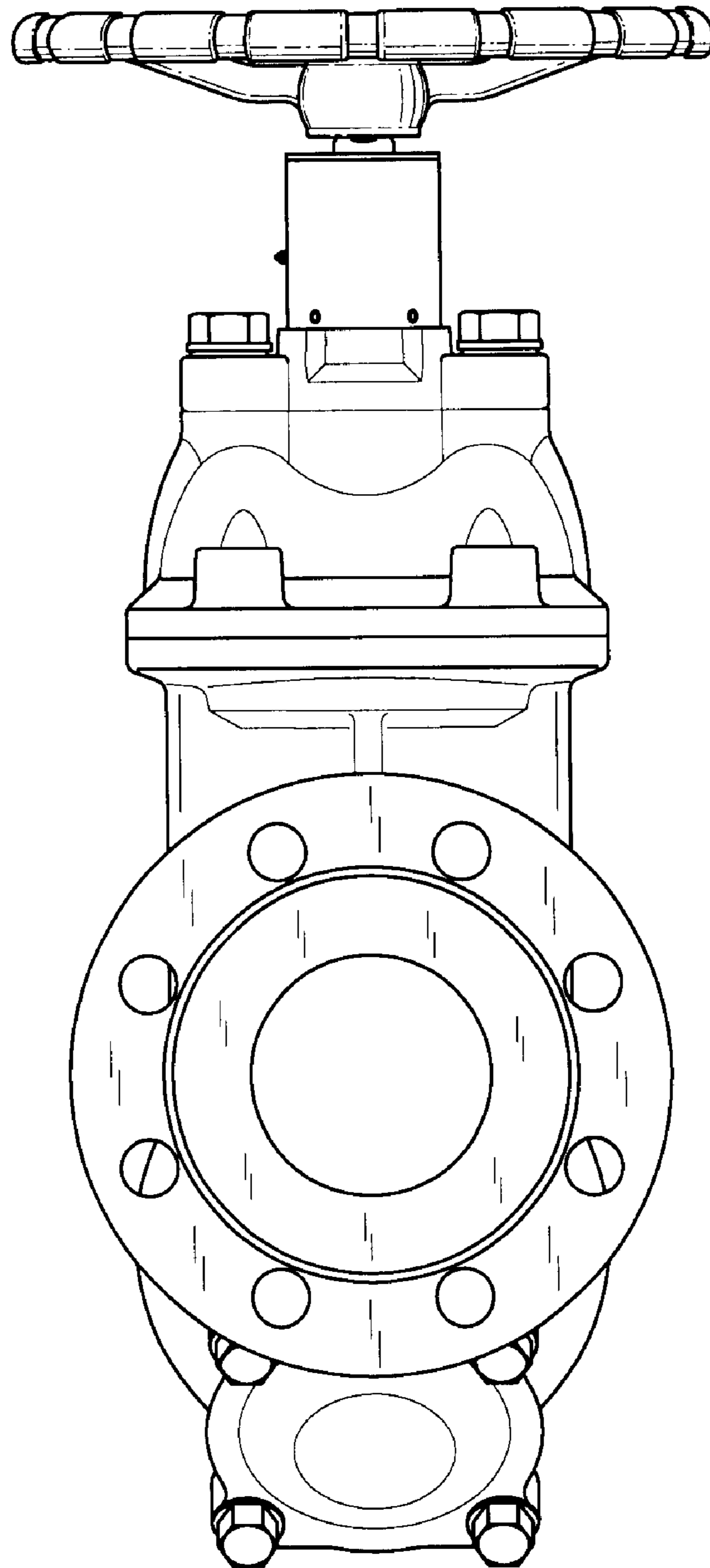


FIG. 6

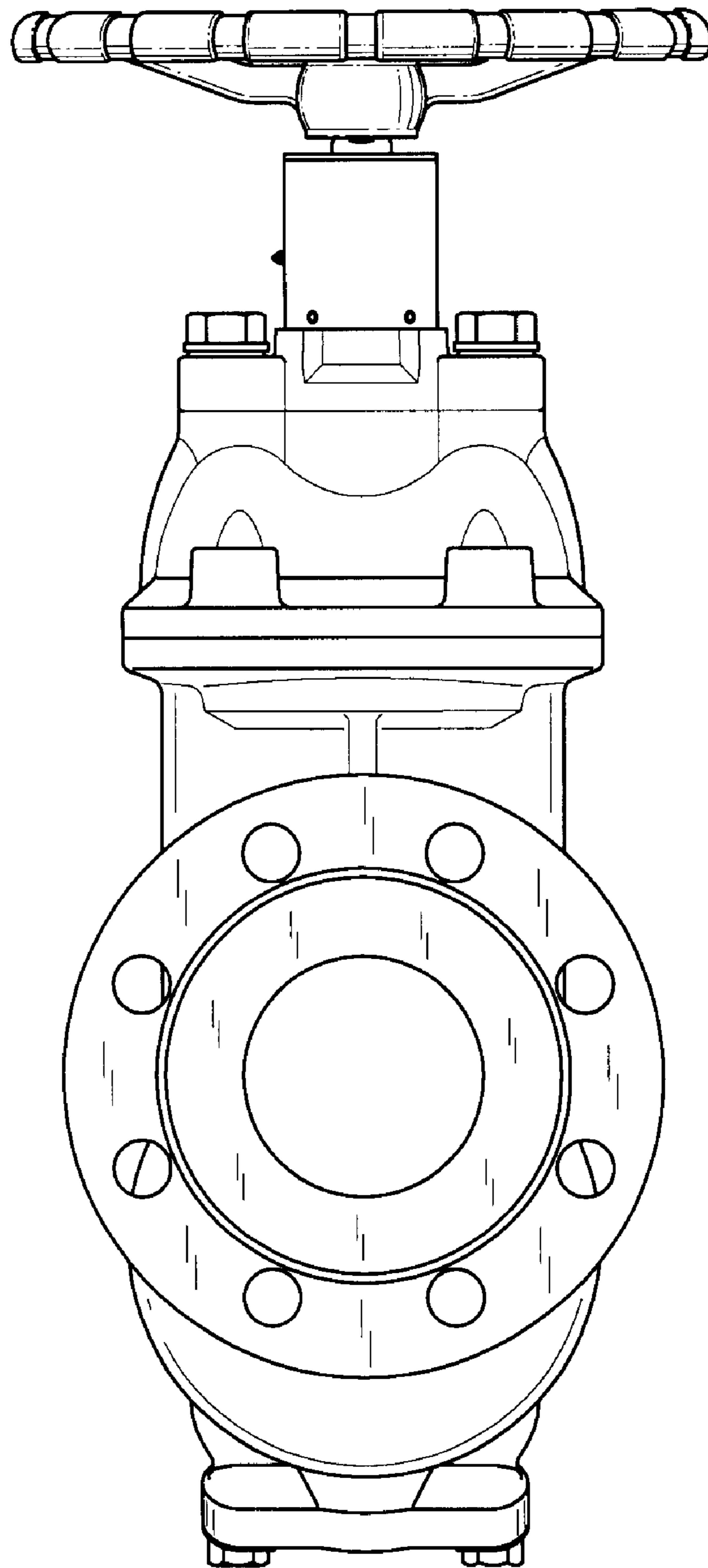


FIG. 7