



US00D527076S

(12) **United States Design Patent**
Kolin et al.

(10) **Patent No.:** **US D527,076 S**

(45) **Date of Patent:** **** Aug. 22, 2006**

(54) **FAUCET ASSEMBLY**

(75) Inventors: **Peter Kolin**, Schwabisch Gmund (DE);
Andreas Haug, Stuttgart (DE); **Tom Schonherr**, Stuttgart (DE); **Andreas Dimitriadis**, Lorch (DE)

(73) Assignee: **Hansgrohe AG** (DE)

(**) Term: **14 Years**

(21) Appl. No.: **29/222,456**

(22) Filed: **Jan. 31, 2005**

(30) **Foreign Application Priority Data**

Aug. 11, 2004 (EP) 000214952-0005

(51) **LOC (8) Cl.** **23-01**

(52) **U.S. Cl.** **D23/241; D23/242**

(58) **Field of Classification Search** D23/238-257;
4/675-678; 137/801

See application file for complete search history.

(56) **References Cited**

U.S. PATENT DOCUMENTS

D428,965 S * 8/2000 Slothower D23/238

D457,938 S * 5/2002 Lobermeier D23/238

D468,398 S * 1/2003 Ziemann D23/238

D469,157 S * 1/2003 Lobermeier D23/238

D479,579 S * 9/2003 Haug et al. D23/238

D513,526 S * 1/2006 Marshall D23/238

D516,171 S * 2/2006 Meylan D23/238

D517,652 S * 3/2006 Egli et al. D23/238

* cited by examiner

Primary Examiner—Louis S. Zarfes

Assistant Examiner—G. Andoll

(74) *Attorney, Agent, or Firm*—Kwadjo Adusei-Poku;

Lloyd D. Doigan

(57) **CLAIM**

The ornamental design for a faucet assembly, as shown and described.

DESCRIPTION

FIG. 1 is a front perspective view of a faucet assembly showing our new design;

FIG. 2 is a front elevational view thereof;

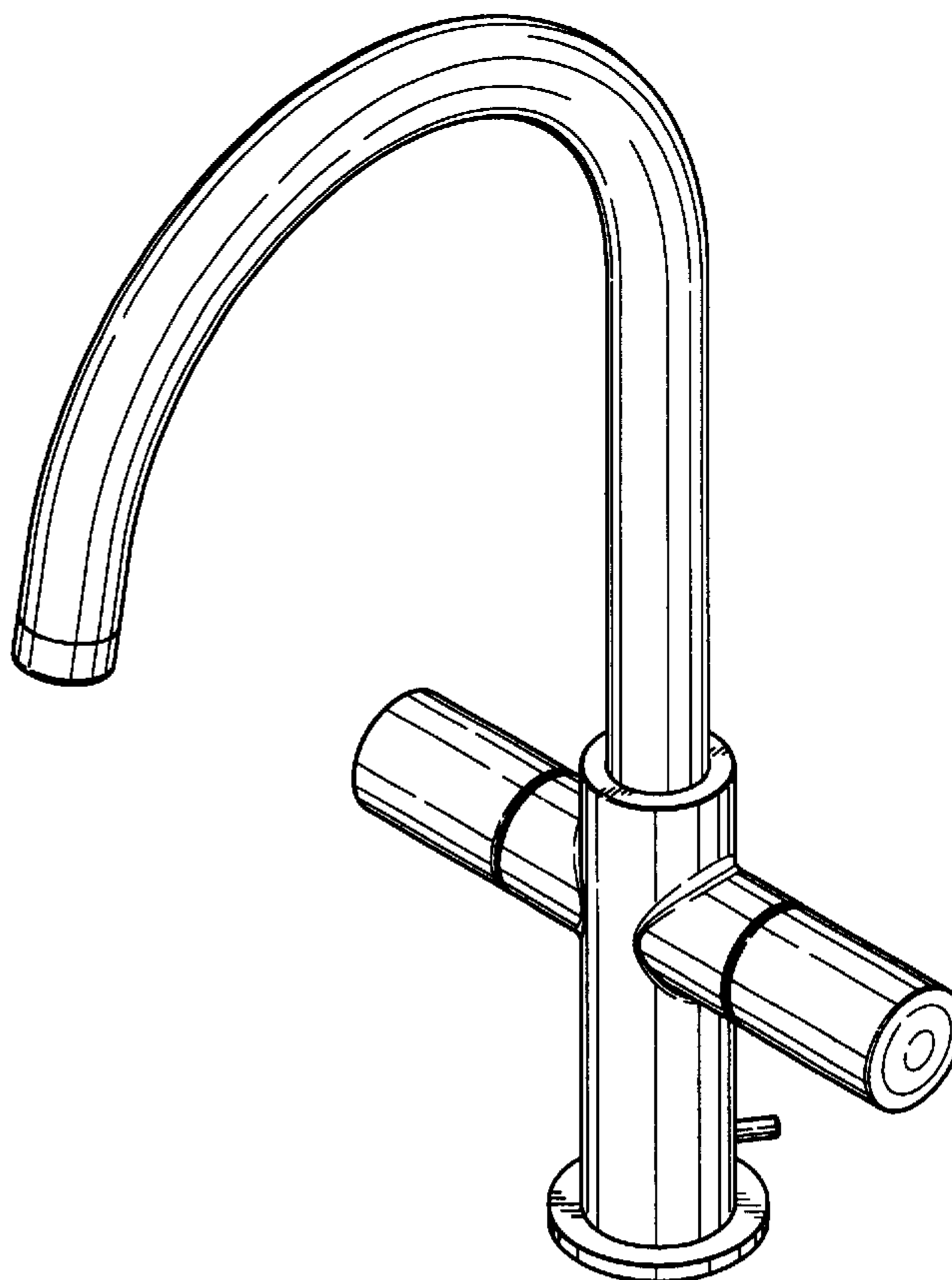
FIG. 3 is a rear elevational view thereof;

FIG. 4 is a right side elevational view thereof;

FIG. 5 is a left side elevational view thereof; and,

FIG. 6 is a top plan view thereof.

1 Claim, 5 Drawing Sheets



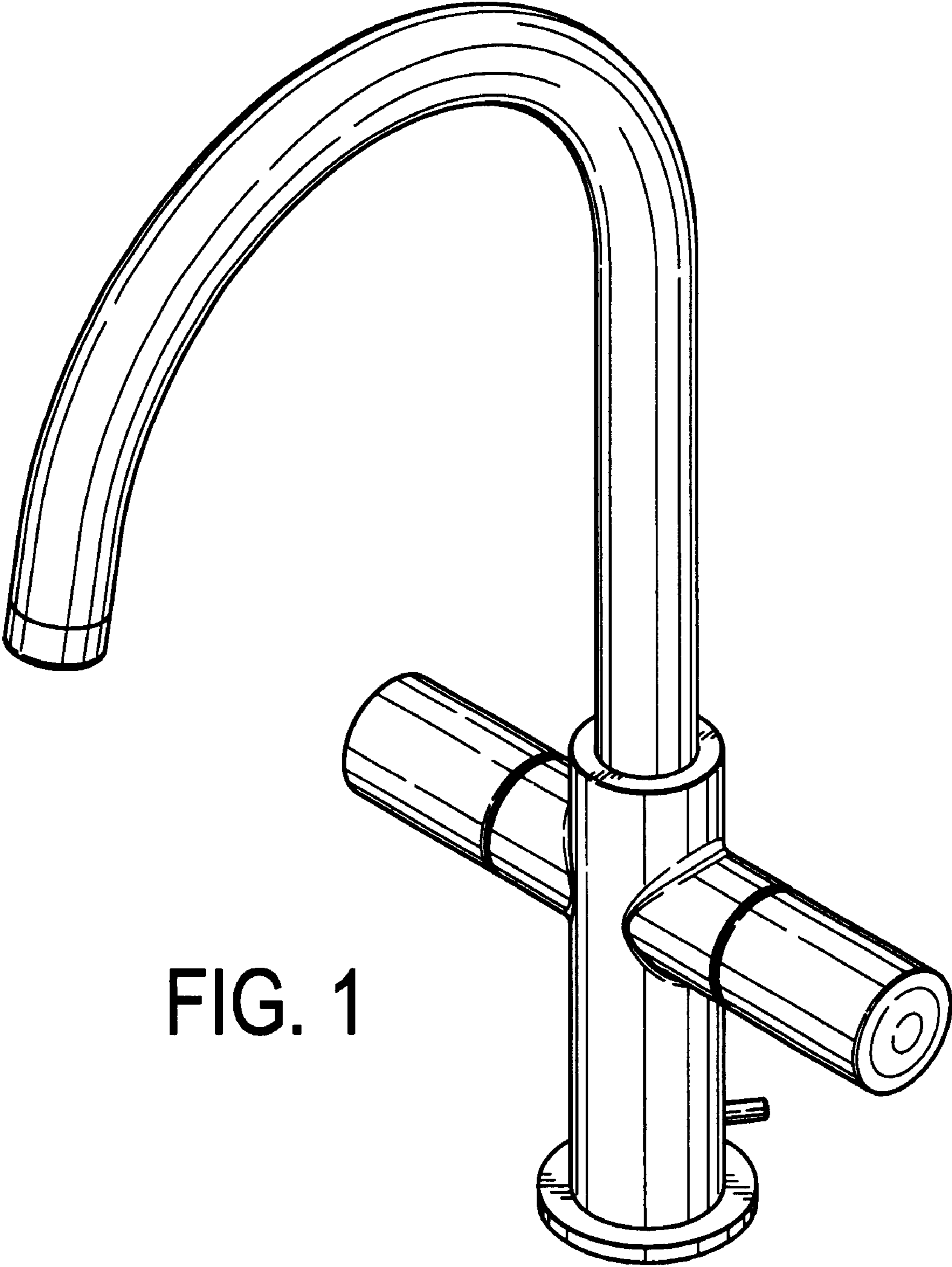


FIG. 1

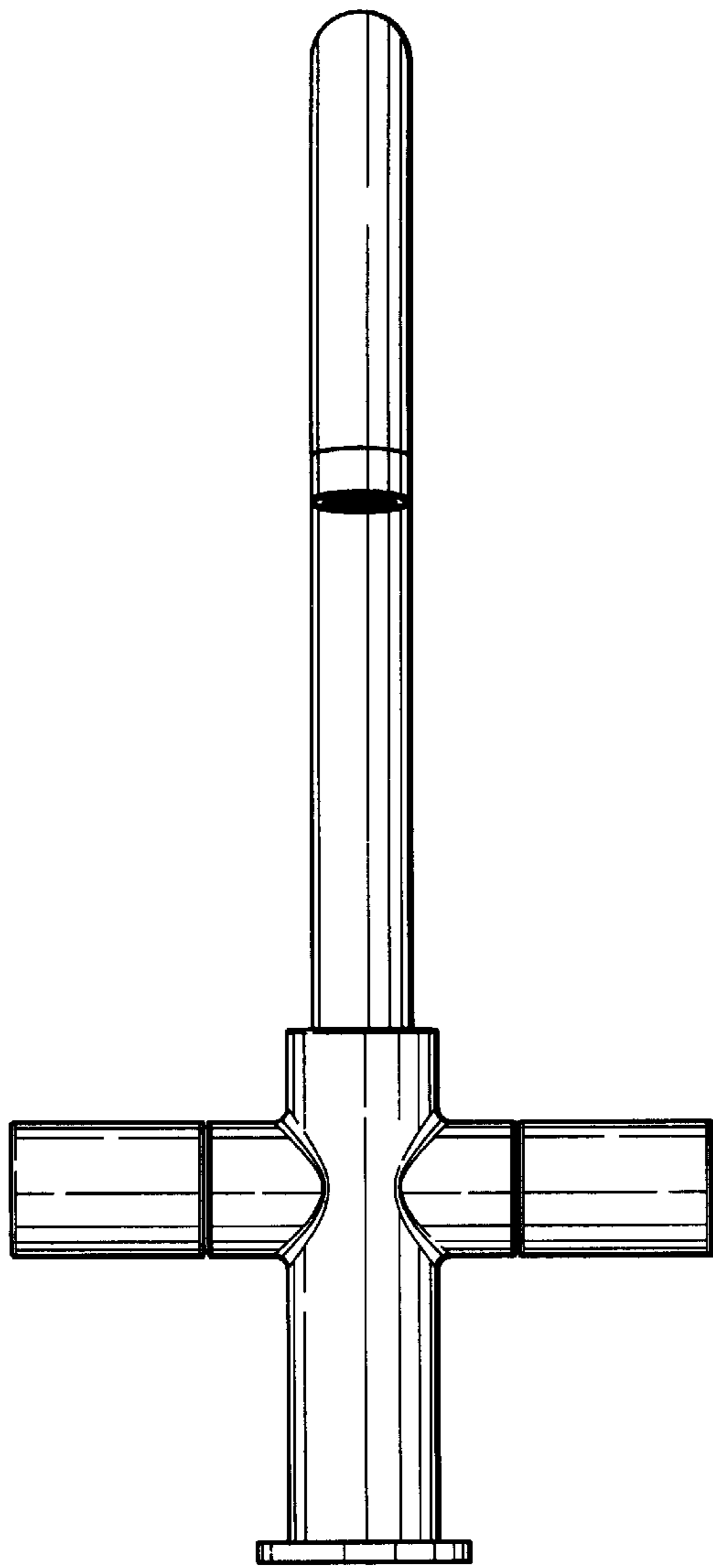


FIG. 2

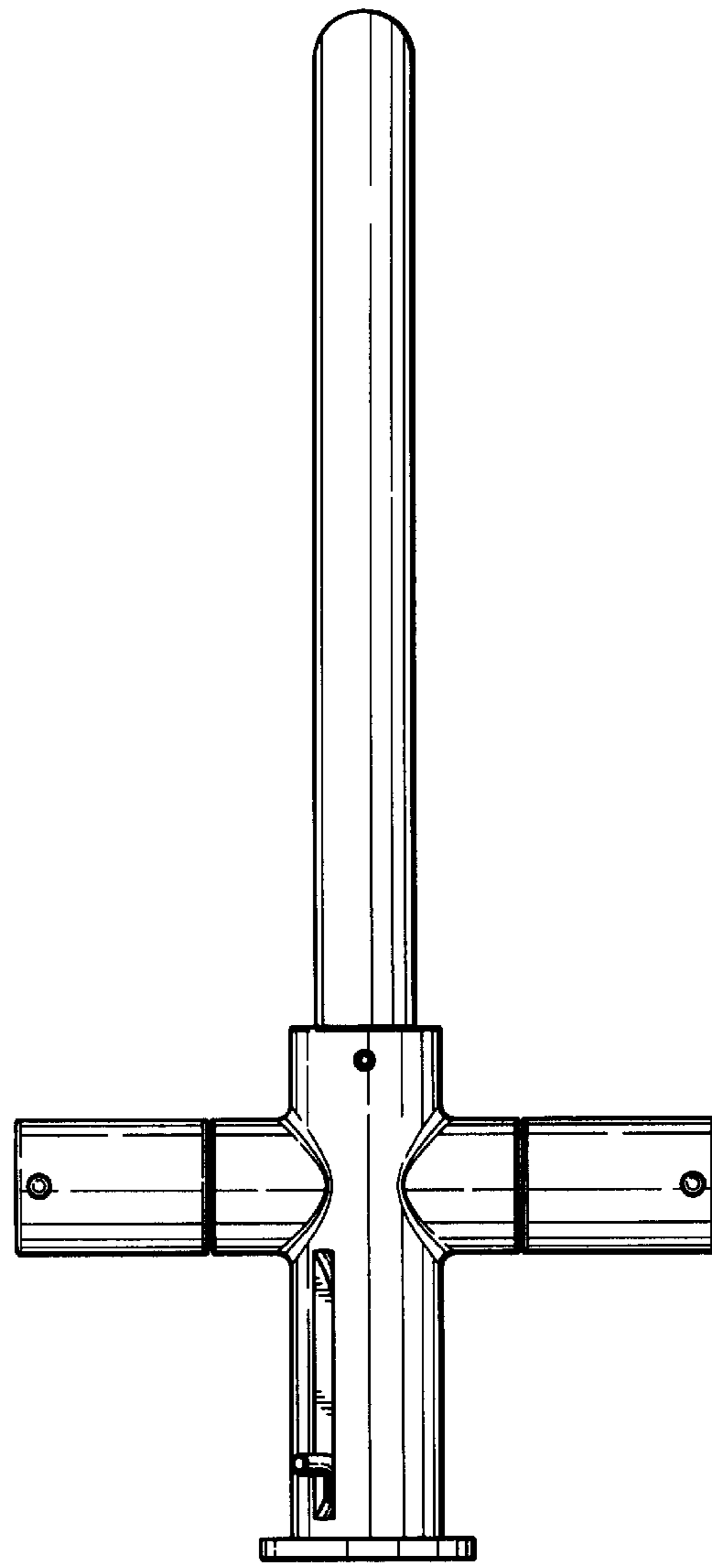


FIG. 3

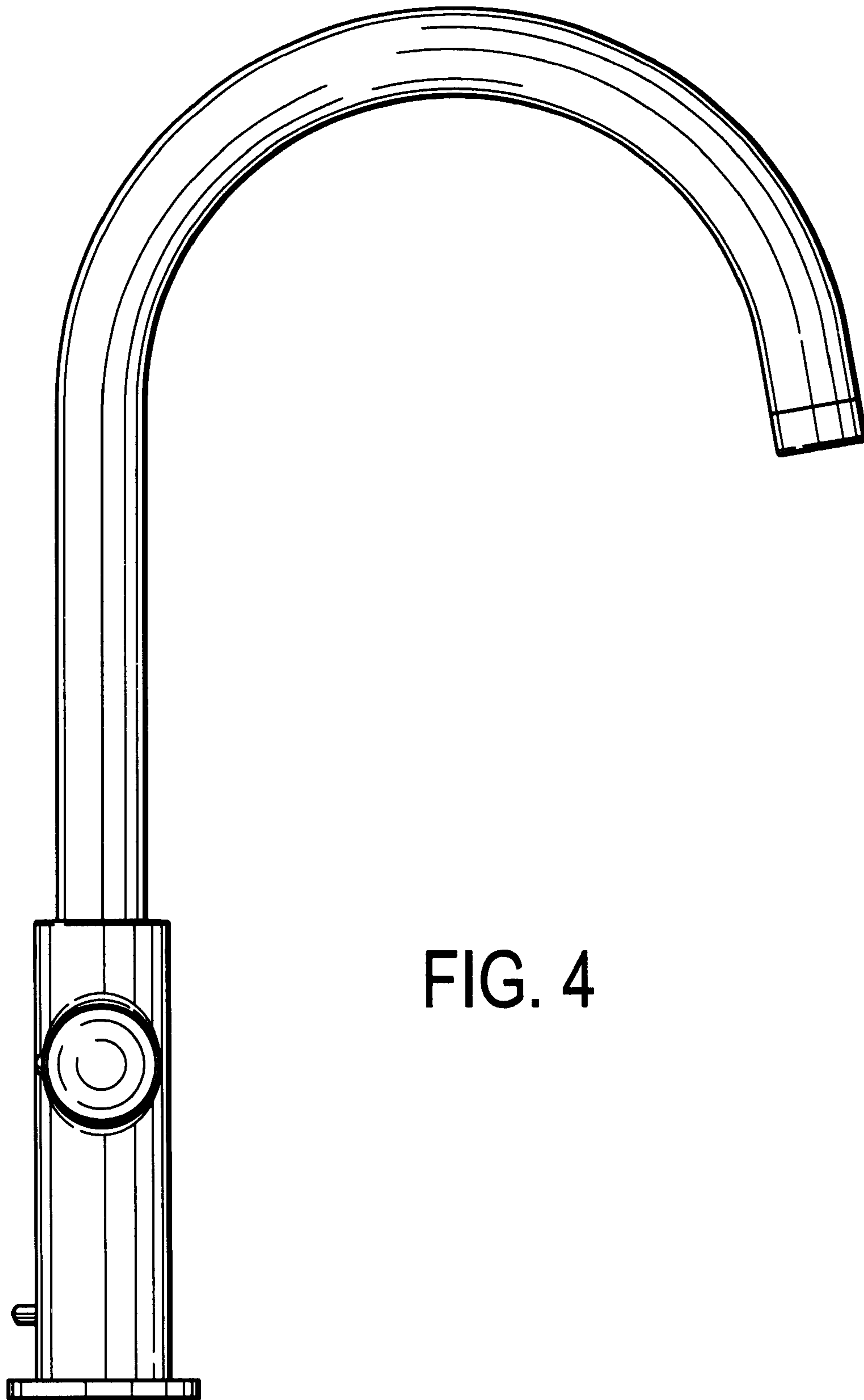


FIG. 4

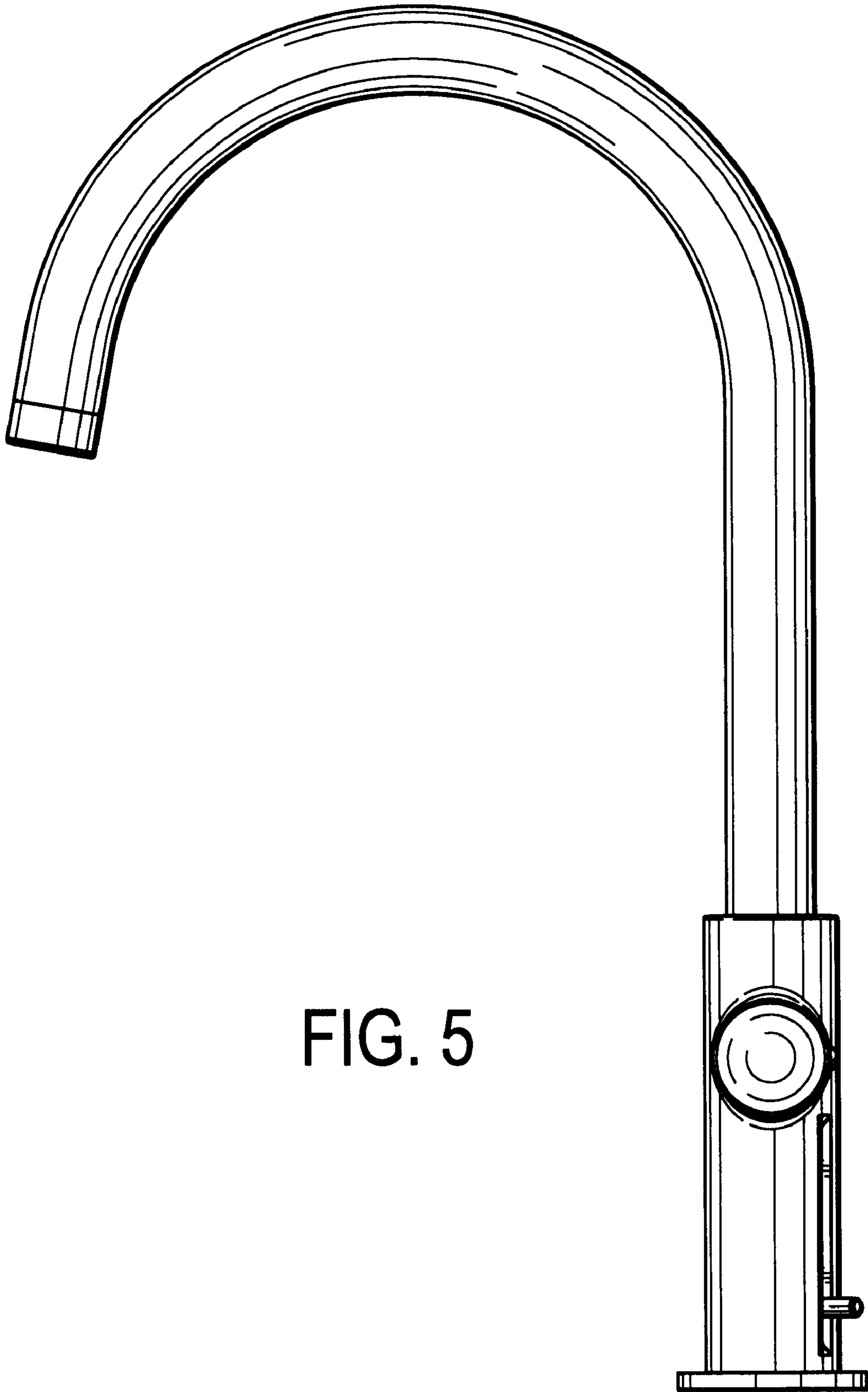


FIG. 5

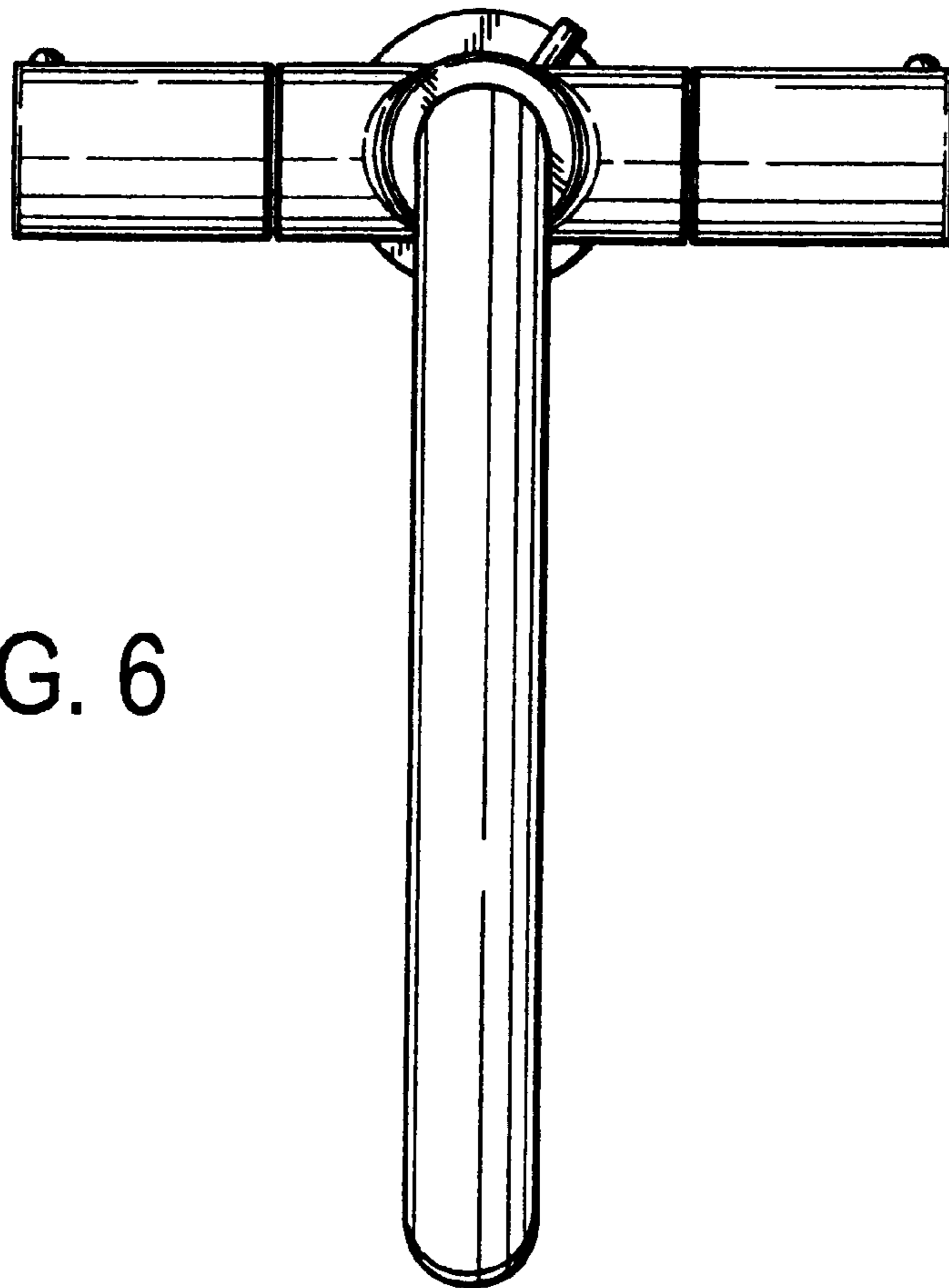


FIG. 6