



US00D527073S

(12) **United States Design Patent**
Yajima et al.

(10) **Patent No.:** **US D527,073 S**

(45) **Date of Patent:** **** Aug. 22, 2006**

(54) **VALVE**

(75) Inventors: **Takashi Yajima**, Kasugai (JP);
Katsunori Hirose, Kasugai (JP)

(73) Assignee: **CKD Corporation**, Komaki (JP)

(**) Term: **14 Years**

(21) Appl. No.: **29/207,935**

(22) Filed: **Jun. 22, 2004**

(30) **Foreign Application Priority Data**

Apr. 2, 2004	(JP)	2004-010348
Apr. 2, 2004	(JP)	2004-010349
Apr. 2, 2004	(JP)	2004-010350
Apr. 2, 2004	(JP)	2004-010351

(51) **LOC (8) Cl.** **23-01**

(52) **U.S. Cl.** **D23/233**

(58) **Field of Classification Search** D23/233-237,
D23/244-250; 251/215, 216, 218
See application file for complete search history.

(56) **References Cited**

U.S. PATENT DOCUMENTS

1,752,667	A	*	4/1930	Hutchings	137/244
D298,962	S	*	12/1988	Bruninga	D23/245

D427,284	S	*	6/2000	Sato et al.	D23/233
D428,113	S	*	7/2000	Russo	D23/233
D463,011	S		9/2002	Hirose et al.		
D511,369	S	*	11/2005	Croft	D23/233

FOREIGN PATENT DOCUMENTS

JP	1206836	5/2004
JP	1206837	5/2004
JP	1207075	5/2004

* cited by examiner

Primary Examiner—Marcus A. Jackson

Assistant Examiner—Maurice Stevens

(74) *Attorney, Agent, or Firm*—Banner & Witcoff, Ltd.

(57) **CLAIM**

The ornamental design for a valve, as shown and described.

DESCRIPTION

FIG. 1 is a perspective view of a valve of the present invention;
FIG. 2 is a front view thereof;
FIG. 3 is a rear view thereof;
FIG. 4 is a top plan view thereof;
FIG. 5 is a bottom plan view thereof;
FIG. 6 is a right side elevational view thereof; and,
FIG. 7 is a left side elevational view thereof.

1 Claim, 2 Drawing Sheets

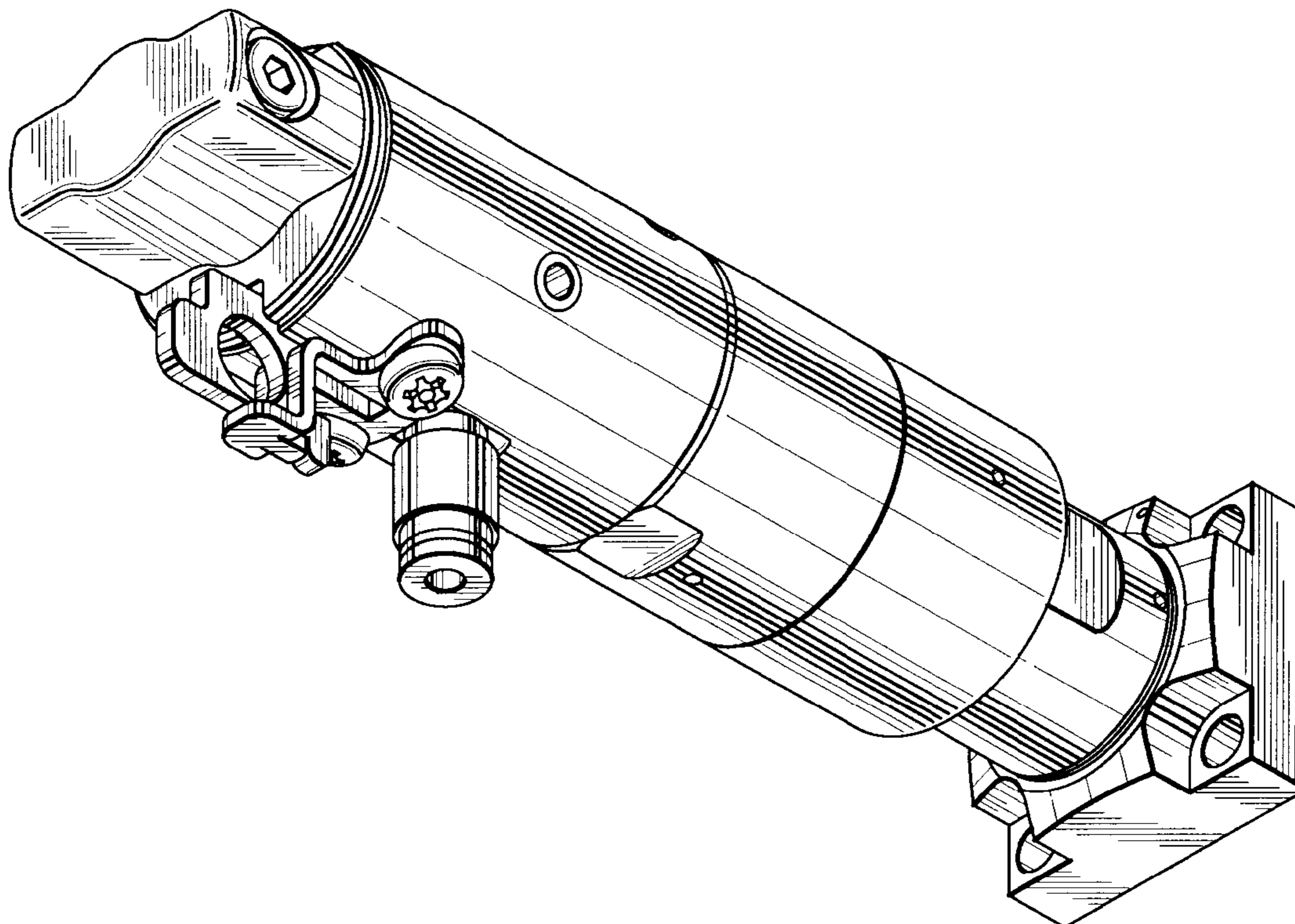


Fig.1

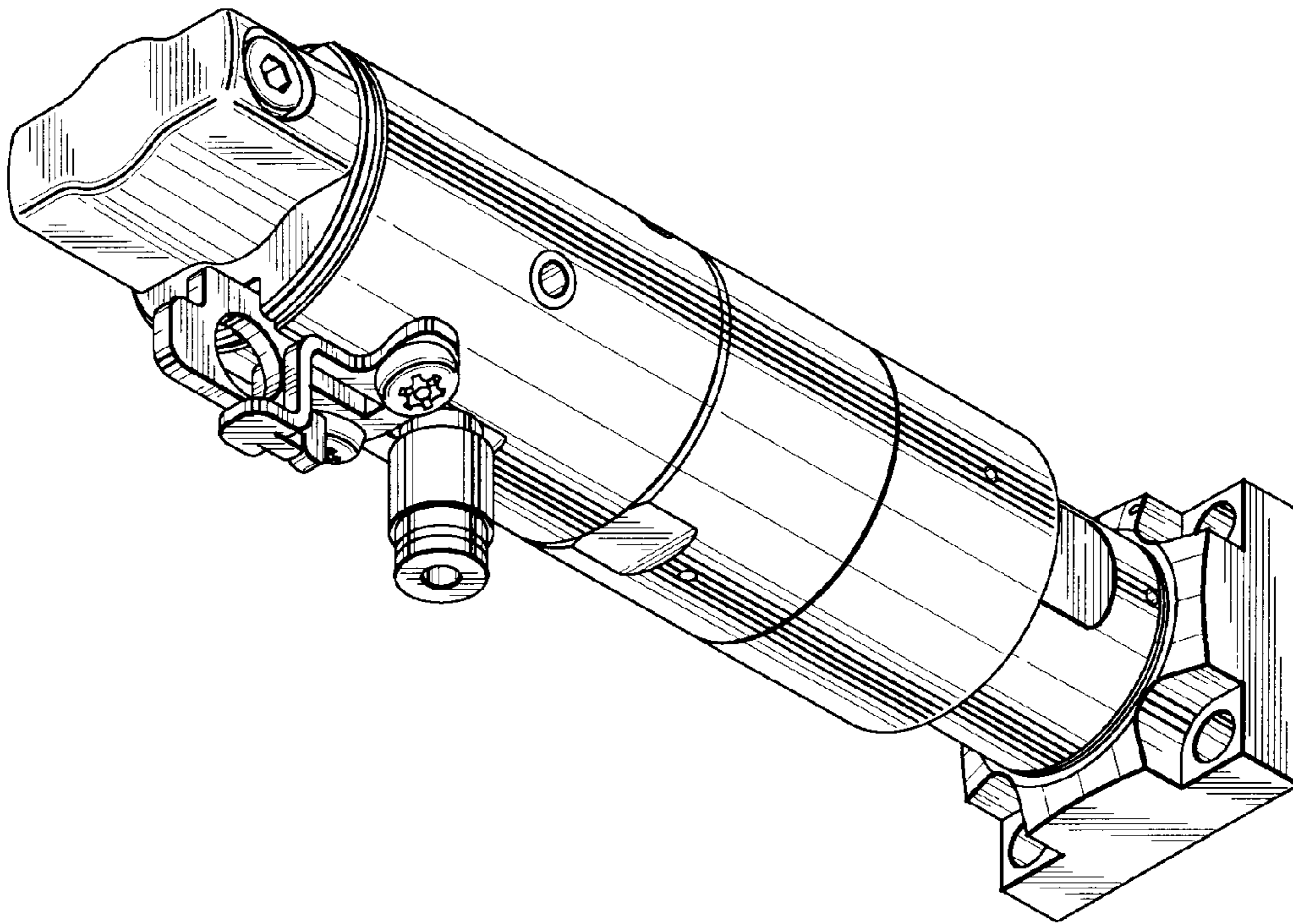


Fig.2

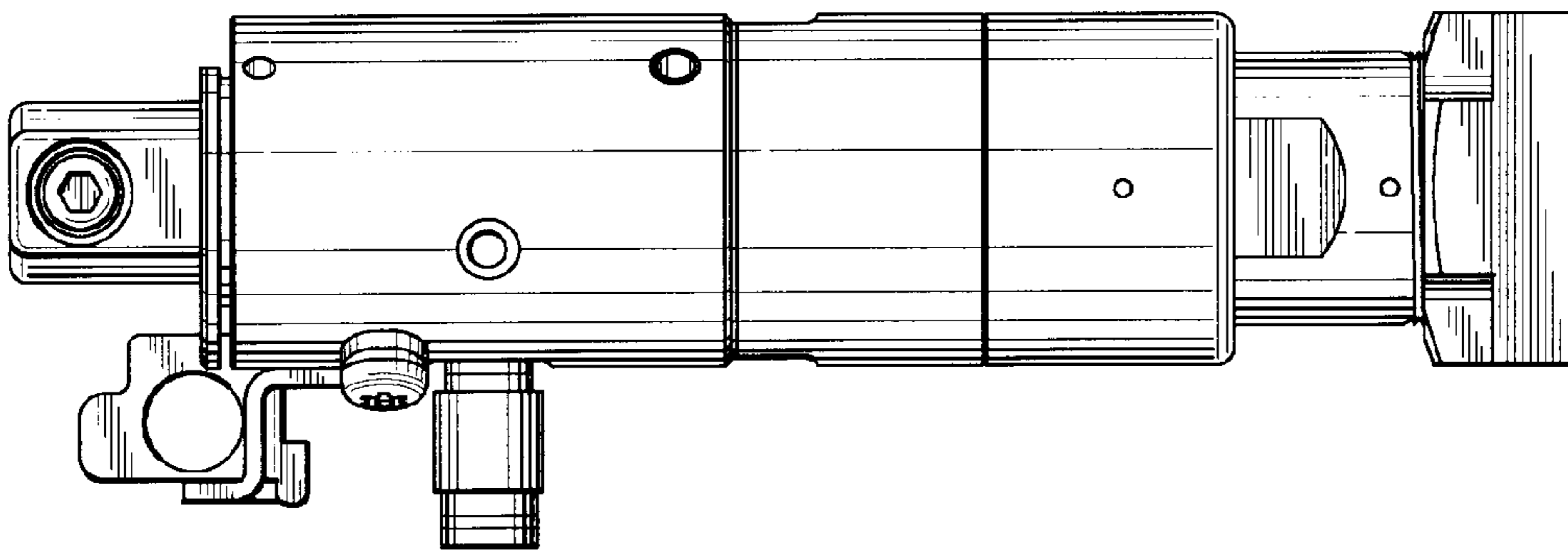


Fig.3

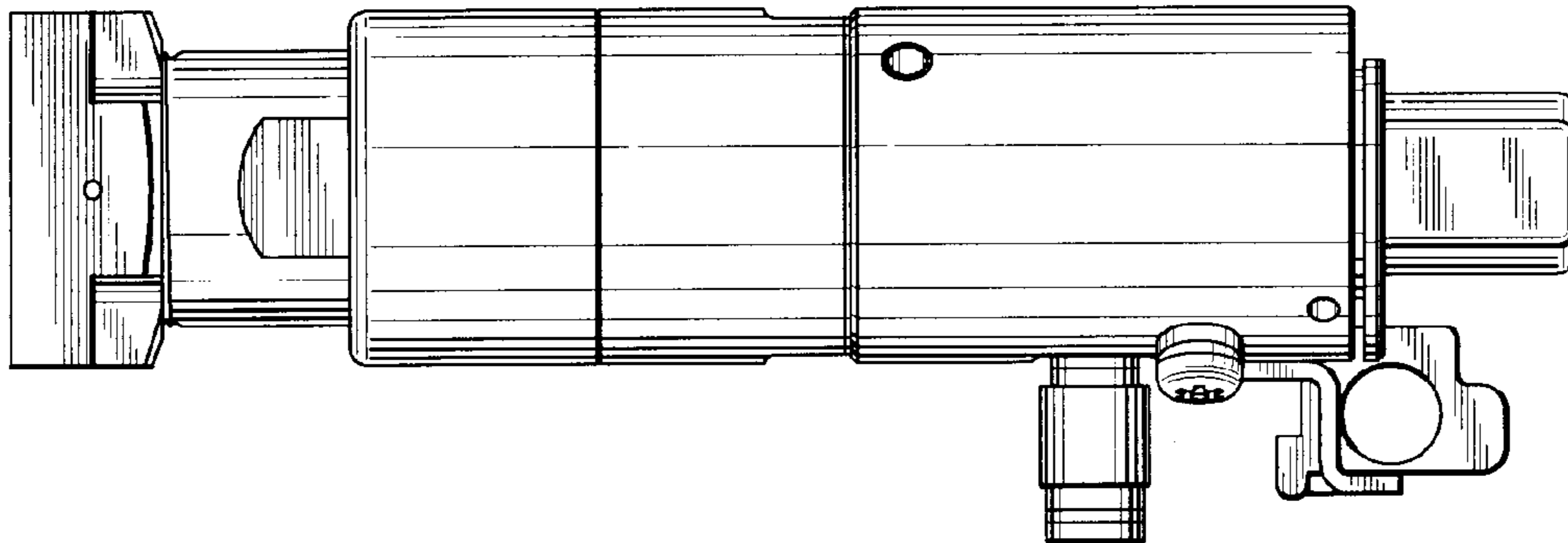


Fig.4

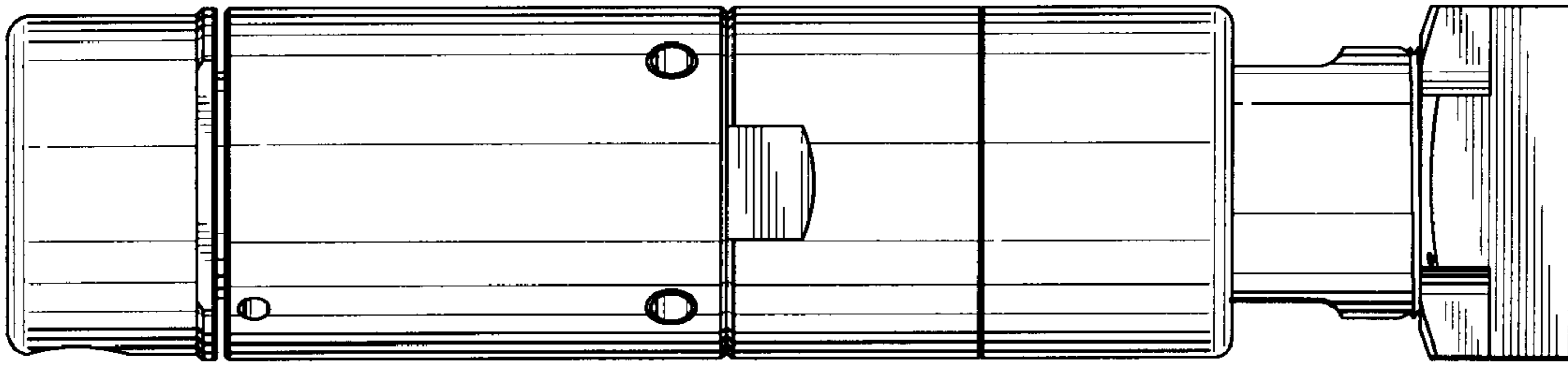


Fig.5

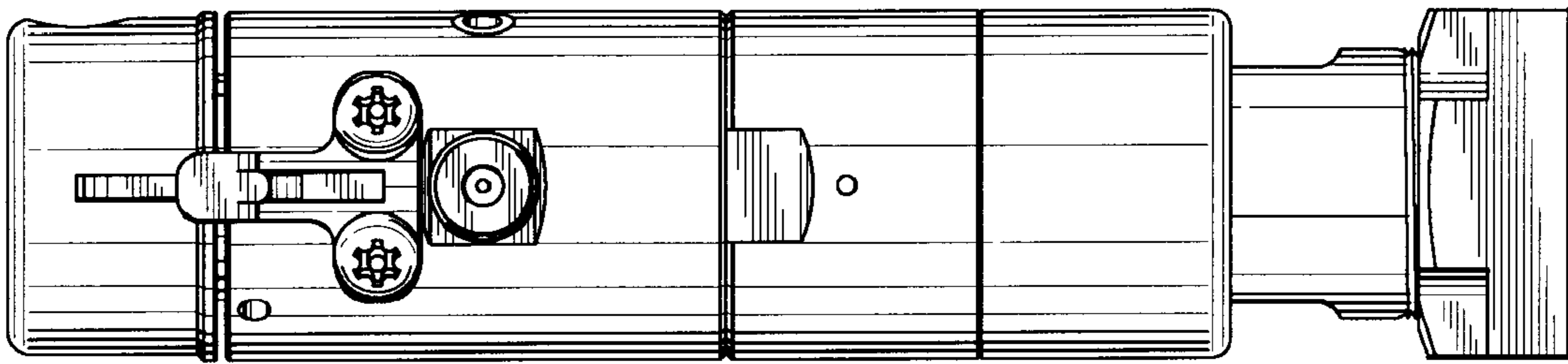


Fig.6

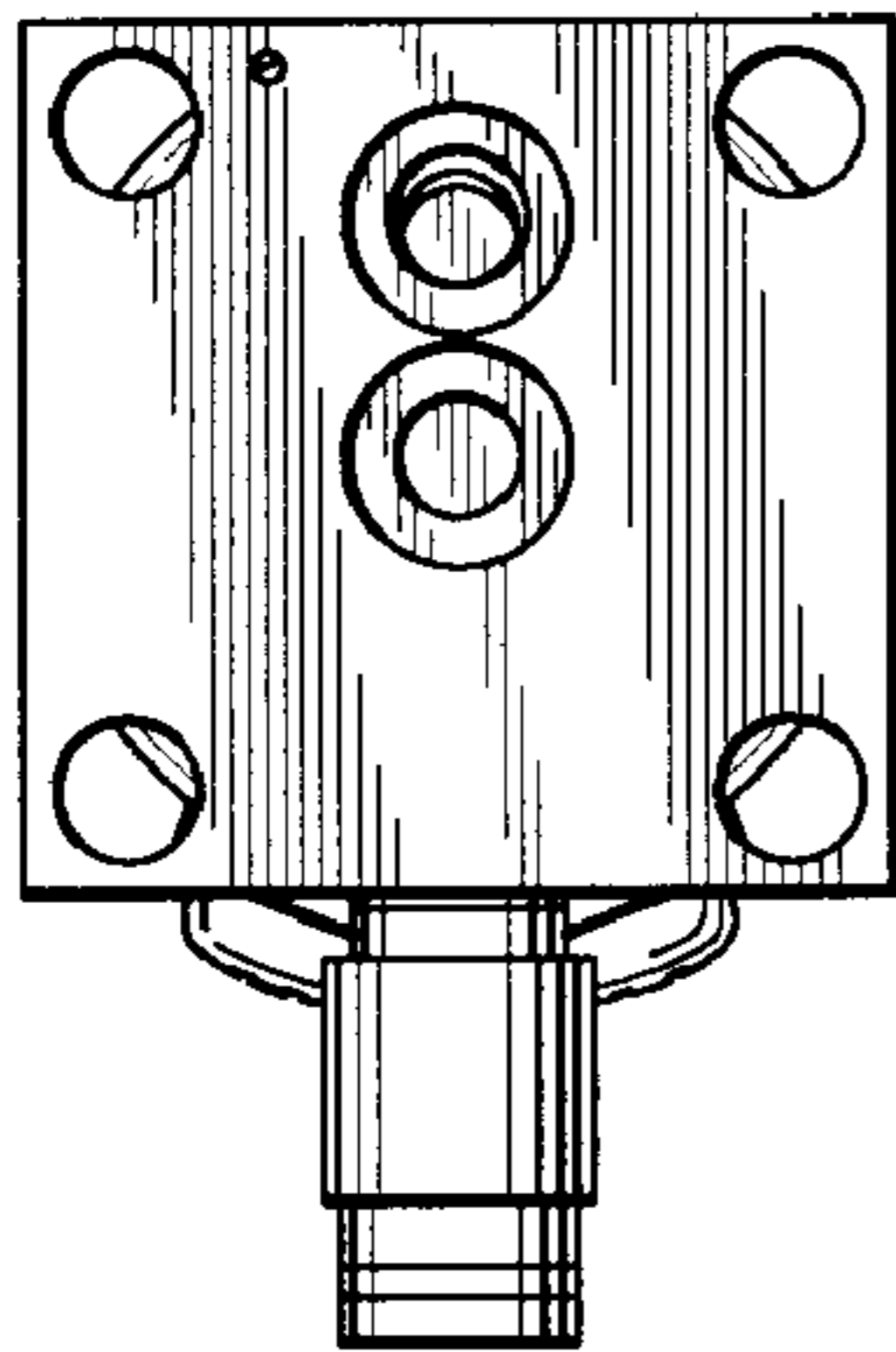


Fig.7

