



US00D527068S

(12) **United States Design Patent**
Warren

(10) **Patent No.:** **US D527,068 S**

(45) **Date of Patent:** **** Aug. 22, 2006**

(54) **GUN SIGHT**

(76) **Inventor:** **Scott M. Warren**, 15702 Beacon Ct.,
Montclair, VA (US) 22026

(**) **Term:** **14 Years**

(21) **Appl. No.:** **29/251,675**

(22) **Filed:** **Jan. 11, 2006**

Related U.S. Application Data

(60) Continuation of application No. 29/237,150, filed on Aug. 26, 2005, which is a division of application No. 29/208,580, filed on Jun. 30, 2004, now Pat. No. Des. 512,118.

(51) **LOC (8) Cl.** **22-01**

(52) **U.S. Cl.** **D22/109; D22/110**

(58) **Field of Classification Search** D22/100,
D22/108-110, 199; 42/111-113, 124, 134-145;
89/161, 41.19, 200-204; 33/227
See application file for complete search history.

(56) **References Cited**

U.S. PATENT DOCUMENTS

1,363,553	A	12/1920	Barringer	
D273,217	S	3/1984	Swenson	
D296,227	S	6/1988	Novak	
D301,512	S	6/1989	Novak	
D305,146	S	12/1989	Novak	
D305,561	S	1/1990	Novak	
D315,776	S	3/1991	Novak	
D351,449	S	10/1994	Dagley	
D352,087	S	11/1994	Stevens et al.	
D361,366	S	* 8/1995	Emerson	D22/109
D363,334	S	* 10/1995	De Oliveira Masina	... D22/109
5,822,872	A	10/1998	Waki	
D403,734	S	1/1999	Kay	
D407,788	S	4/1999	Kay	
6,035,539	A	3/2000	Hollenbach et al.	

D428,102	S	* 7/2000	Flubacher et al.	D22/109
D432,618	S	10/2000	Wilson		
D435,080	S	12/2000	Ling, Jr.		
D435,282	S	12/2000	Ling, Jr.		
D435,625	S	12/2000	Ling, Jr.		
D436,393	S	1/2001	Ling, Jr.		
6,216,351	B1	4/2001	Flubacher et al.		
6,230,414	B1	* 5/2001	Glock	42/139
D447,205	S	* 8/2001	Keng	D22/109
D447,206	S	8/2001	Ling, Jr.		
D492,747	S	7/2004	LoRocco		
6,834,457	B1	* 12/2004	Warren	42/141

OTHER PUBLICATIONS

Wilson Combat 2001 Master Catalog, cover and selected pp. 71-73.

* cited by examiner

Primary Examiner—Ian Simmons

Assistant Examiner—Melanie Levy

(74) *Attorney, Agent, or Firm*—Fay, Sharpe, Fagan, Minnich & McKee, LLP

(57) **CLAIM**

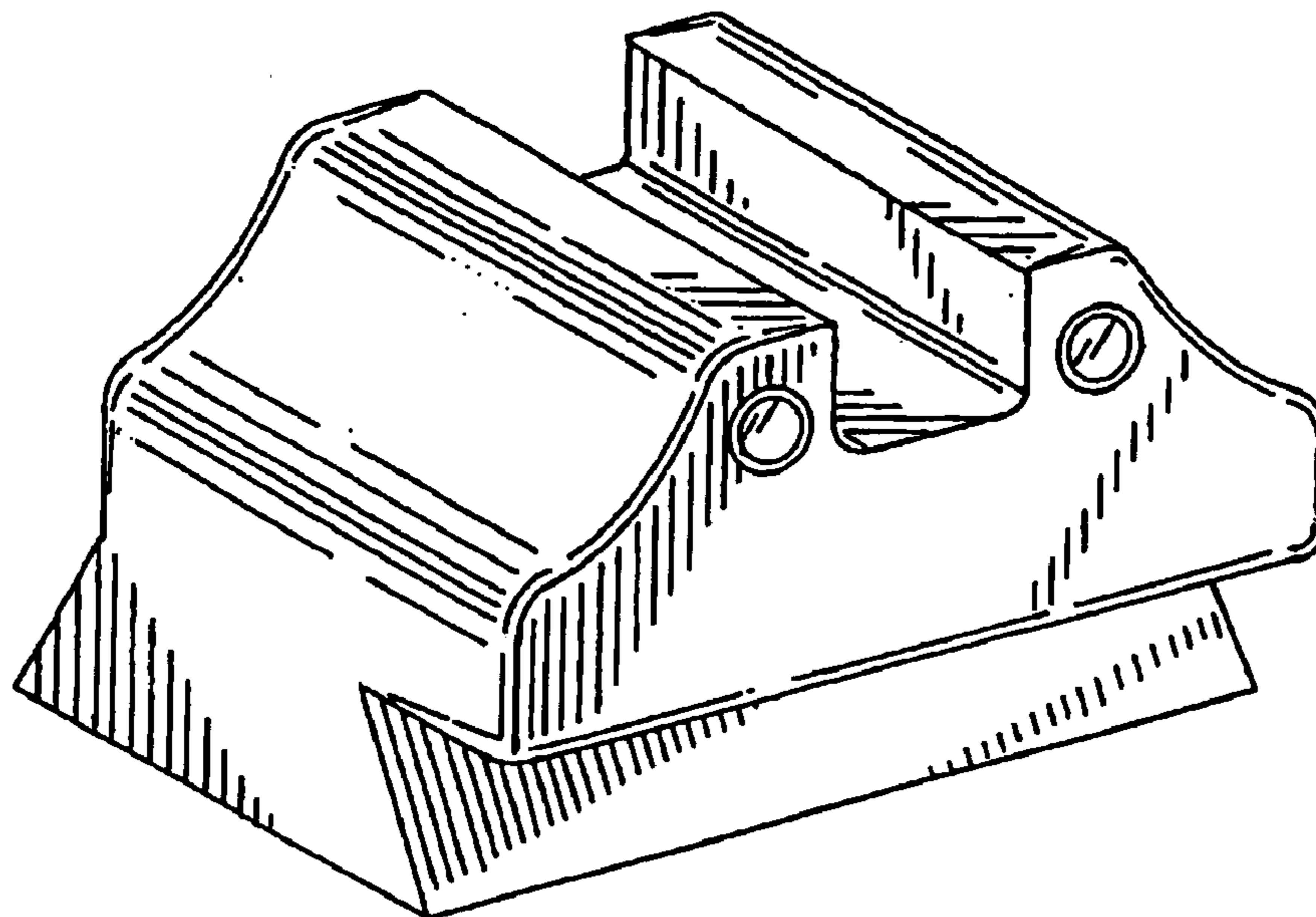
The ornamental design for a gun sight, as shown and described.

DESCRIPTION

FIG. 1 is a rear perspective view of a gun sight according to the present invention showing my new design; FIG. 2 is a top plan view thereof; FIG. 3 is a rear elevational view thereof; FIG. 4 is a right-side elevational view thereof, the left-side elevational view being a mirror image of the right side; and, FIG. 5 is a front elevational view thereof.

The bottom side has no ornamentation and therefore is not shown.

1 Claim, 1 Drawing Sheet



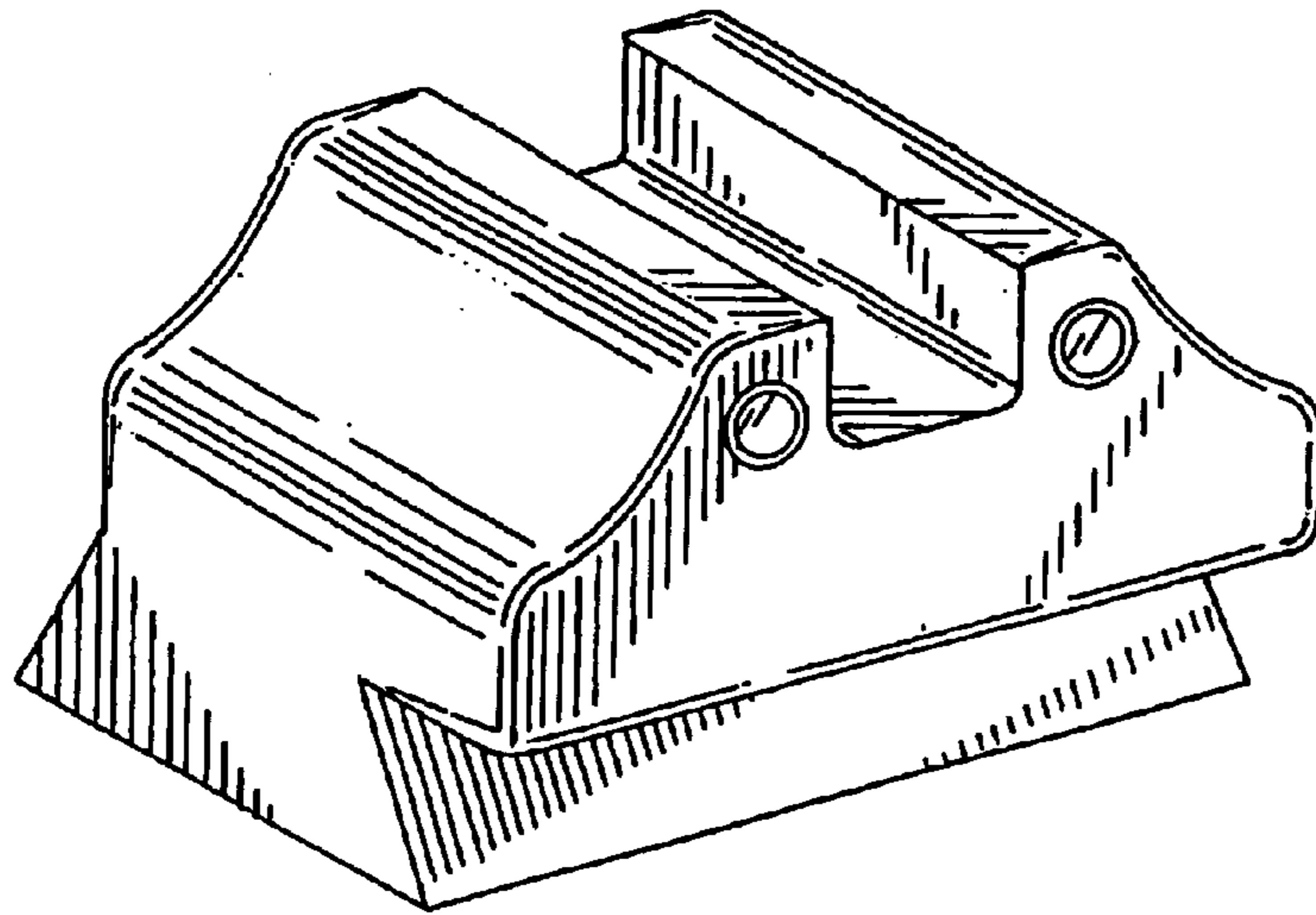


FIG. 1

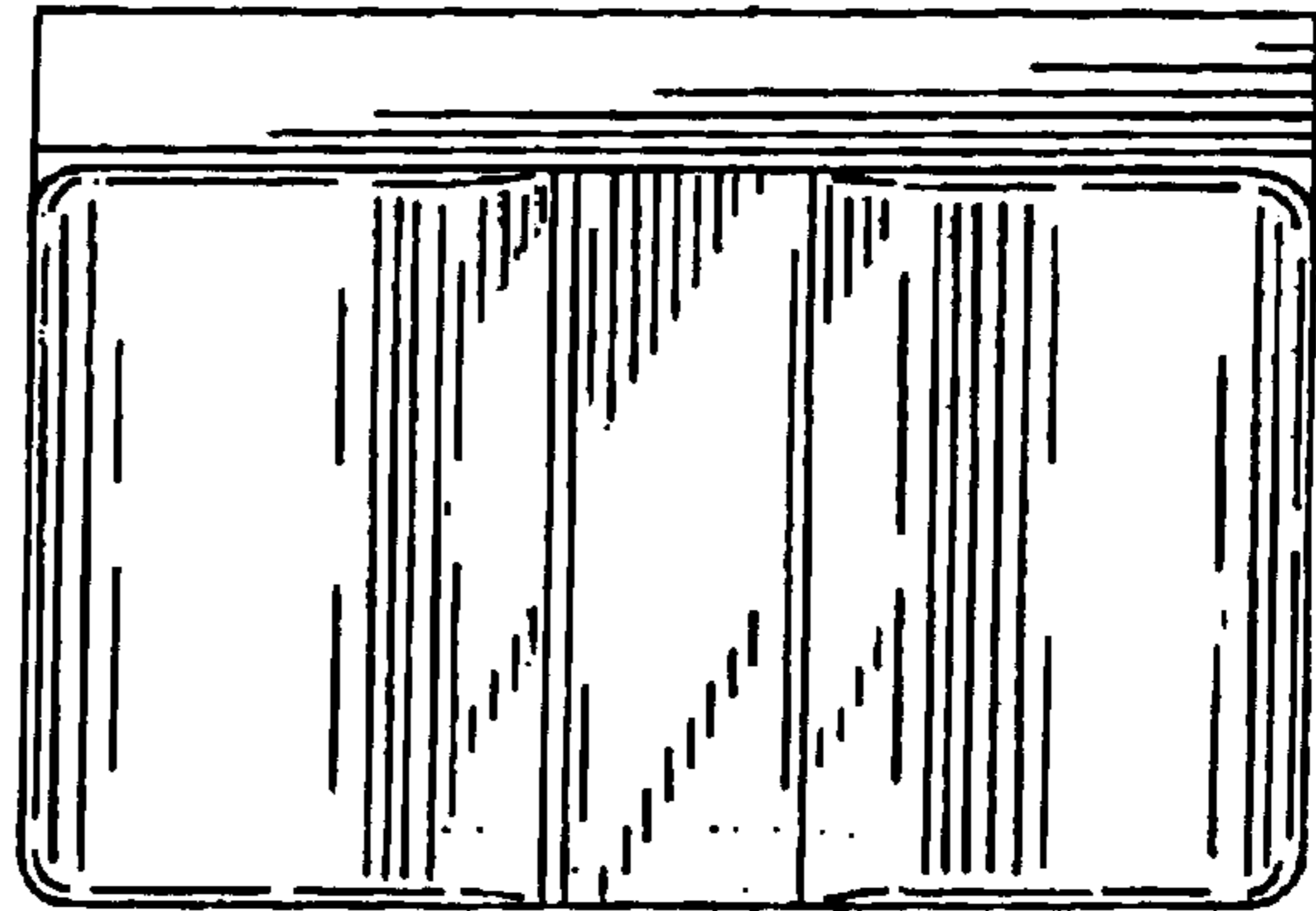


FIG. 2

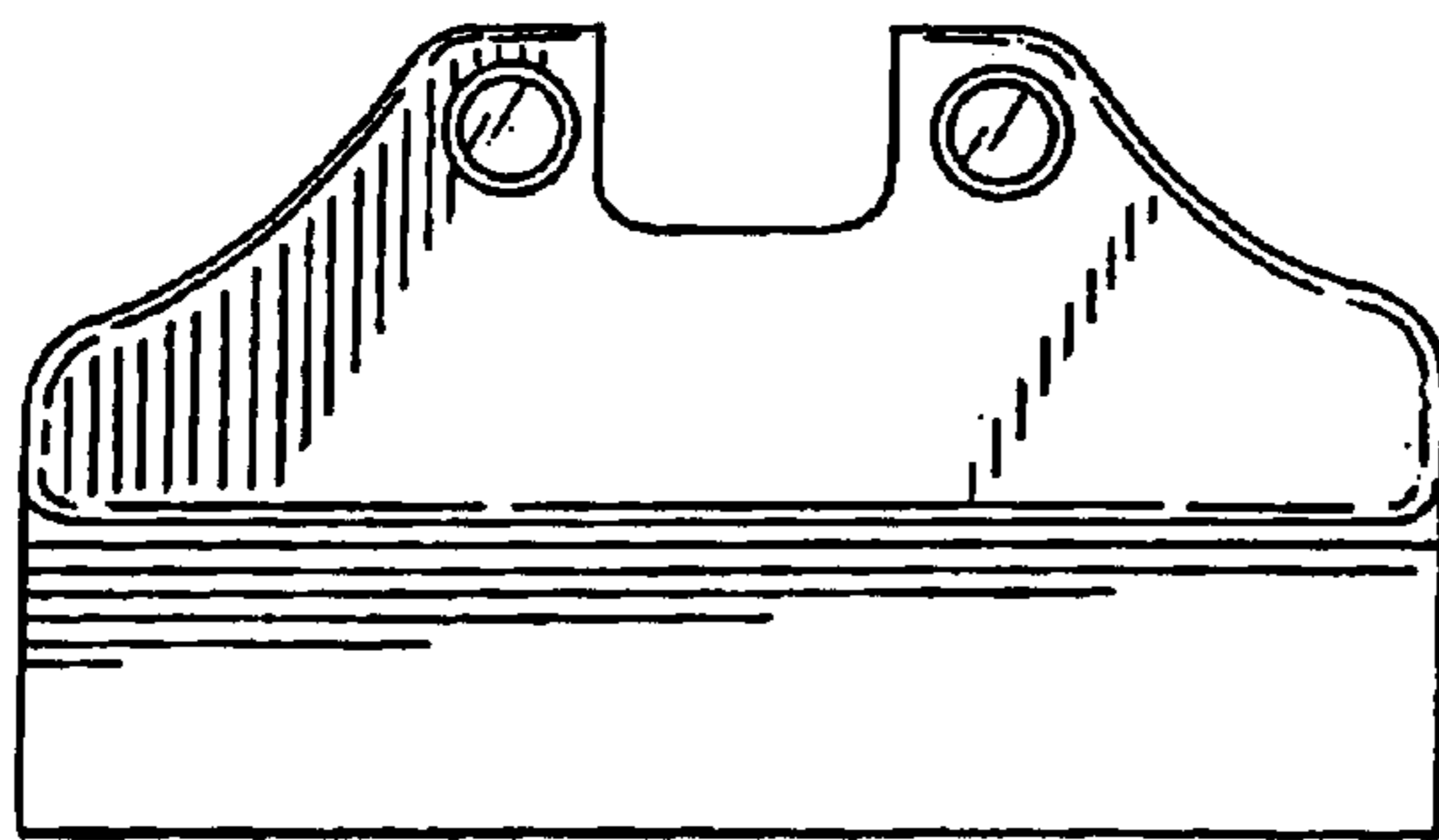


FIG. 3

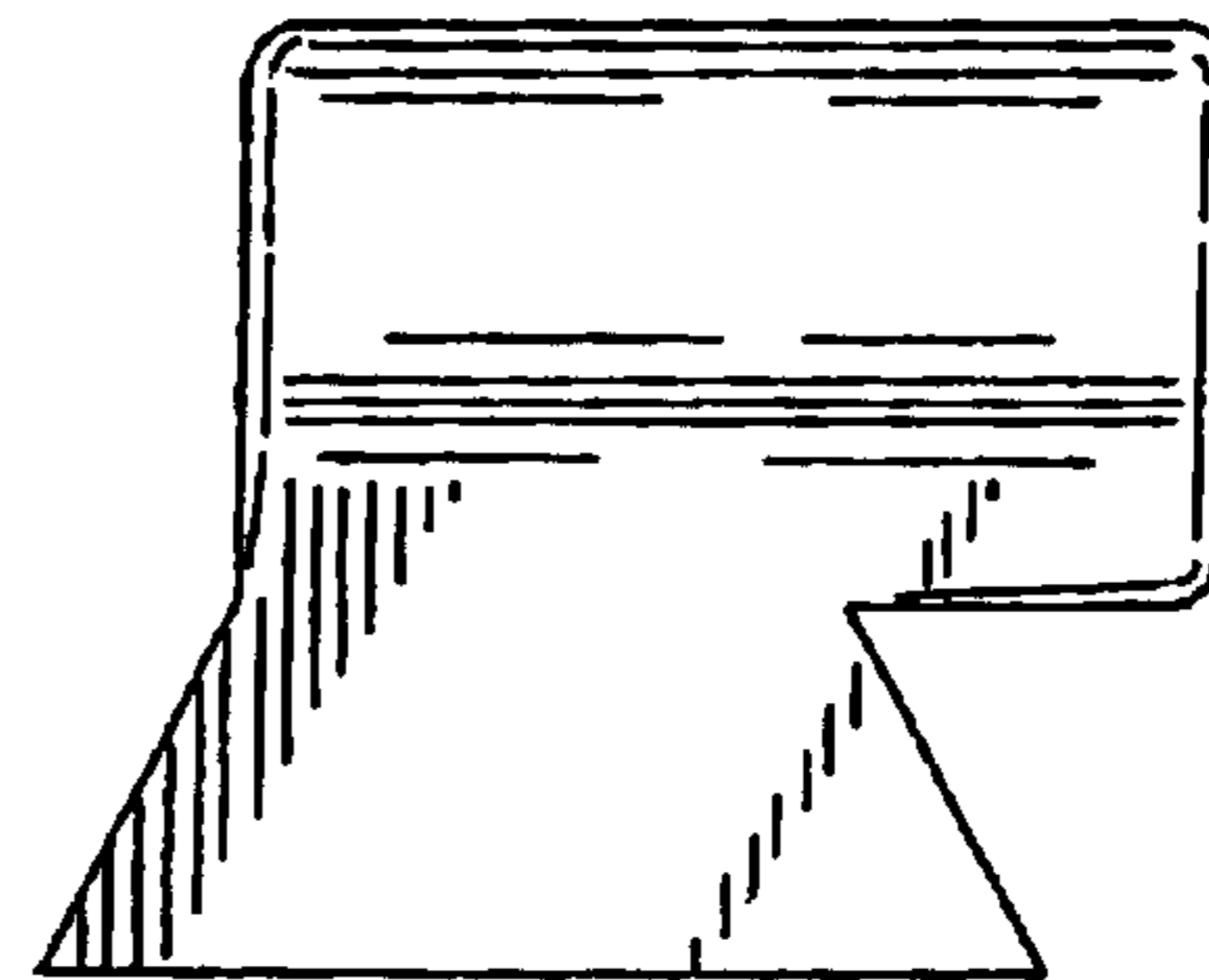


FIG. 4

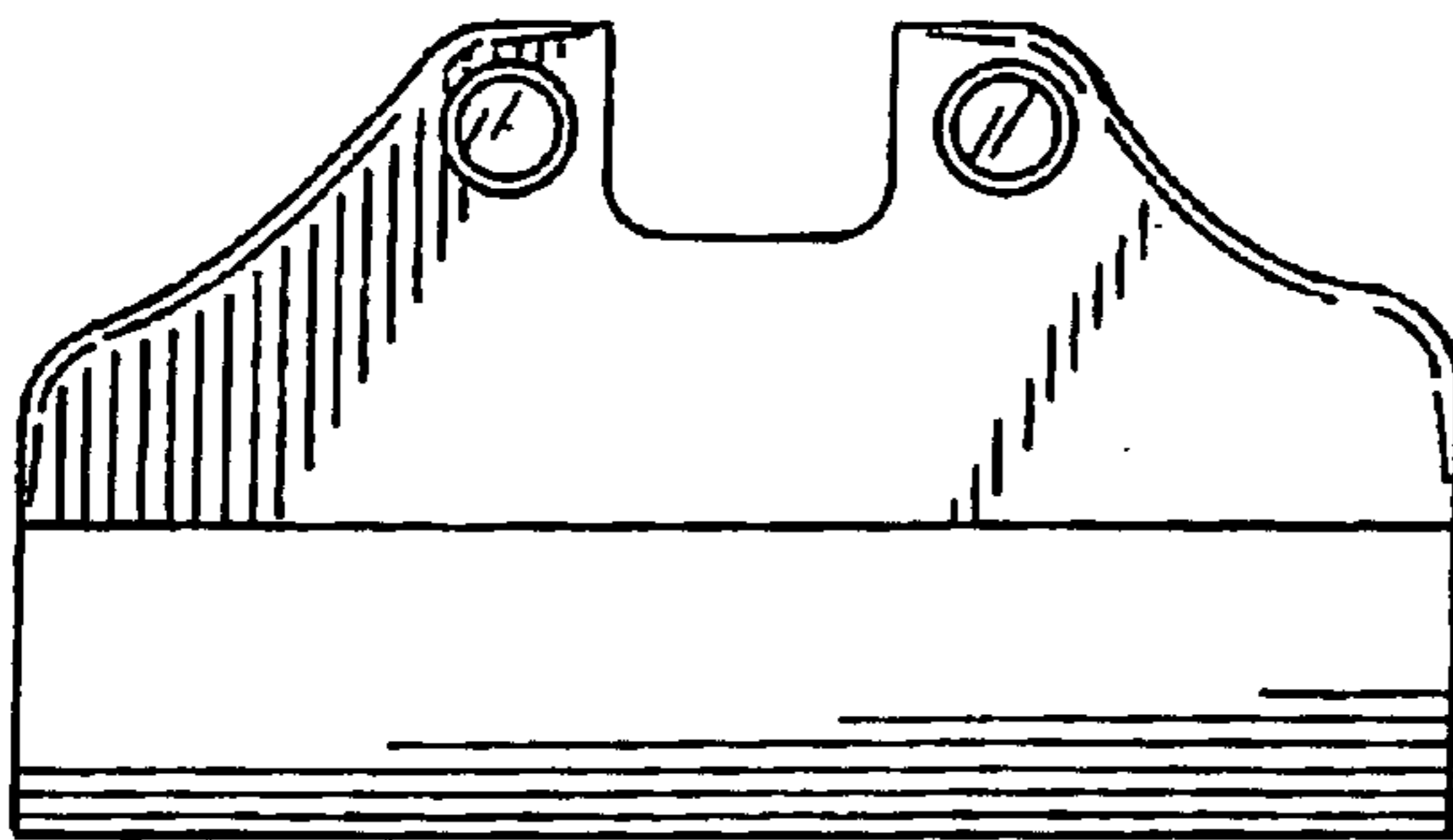


FIG. 5