

US00D527067S

(12) **United States Design Patent** (10) **Patent No.:** **US D527,067 S**
Sellars (45) **Date of Patent:** **** Aug. 22, 2006**

(54) **BULLET DISPENSER**

(76) Inventor: **Tim Sellars**, 4704 Redondo St., North Richland Hills, TX (US) 76108

(**) Term: **14 Years**

(21) Appl. No.: **29/204,447**

(22) Filed: **Apr. 29, 2004**

(51) **LOC (8) Cl.** **22-01**

(52) **U.S. Cl.** **D22/108; D22/199**

(58) **Field of Classification Search** 221/185, 221/186, 301, 309, 303; D23/414; D9/415; D19/39, 40, 67; D22/100, 108, 199; 42/50, 42/87-90, 96, 98, 106, 47, 45, 23; 89/33.2, 89/33.14; 206/3; 224/196

See application file for complete search history.

(56) **References Cited**

U.S. PATENT DOCUMENTS

574,531	A	*	1/1897	Ferguson	221/301
3,219,244	A	*	11/1965	Blask	221/185
3,248,007	A	*	4/1966	Hulterstrum	221/185
3,283,954	A	*	11/1966	Spooner	221/185
4,381,845	A	*	5/1983	Feis	221/185
4,872,279	A	*	10/1989	Boat	42/90
5,129,173	A	*	7/1992	Kuykendall	42/90
5,402,594	A	*	4/1995	Switzer	42/90
6,050,464	A	*	4/2000	Ramsey et al.	224/196
6,178,683	B1	*	1/2001	Williams	42/90
D477,047	S	*	7/2003	Springer	D22/108
6,754,987	B1	*	6/2004	Cheng et al.	42/87

6,817,135 B1 * 11/2004 Jackson 42/87
2003/0046854 A1 * 3/2003 Urchek 42/87

* cited by examiner

Primary Examiner—Ian Simmons

Assistant Examiner—Melanie Levy

(74) *Attorney, Agent, or Firm*—James E. Walton

(57) **CLAIM**

The ornamental design for a bullet dispenser, as shown and described.

DESCRIPTION

FIG. 1 is a perspective view of the bullet dispenser according to the present invention;

FIG. 2 is a perspective view of the dispensing portion of the bullet dispenser;

FIG. 3 is a front view of FIG. 2;

FIG. 4 is a left side view of FIG. 2, the right side view is a mirror image thereof;

FIG. 5 is a bottom view of FIG. 2;

FIG. 6 is a top view of FIG. 2;

FIG. 7 is a rear view of FIG. 2;

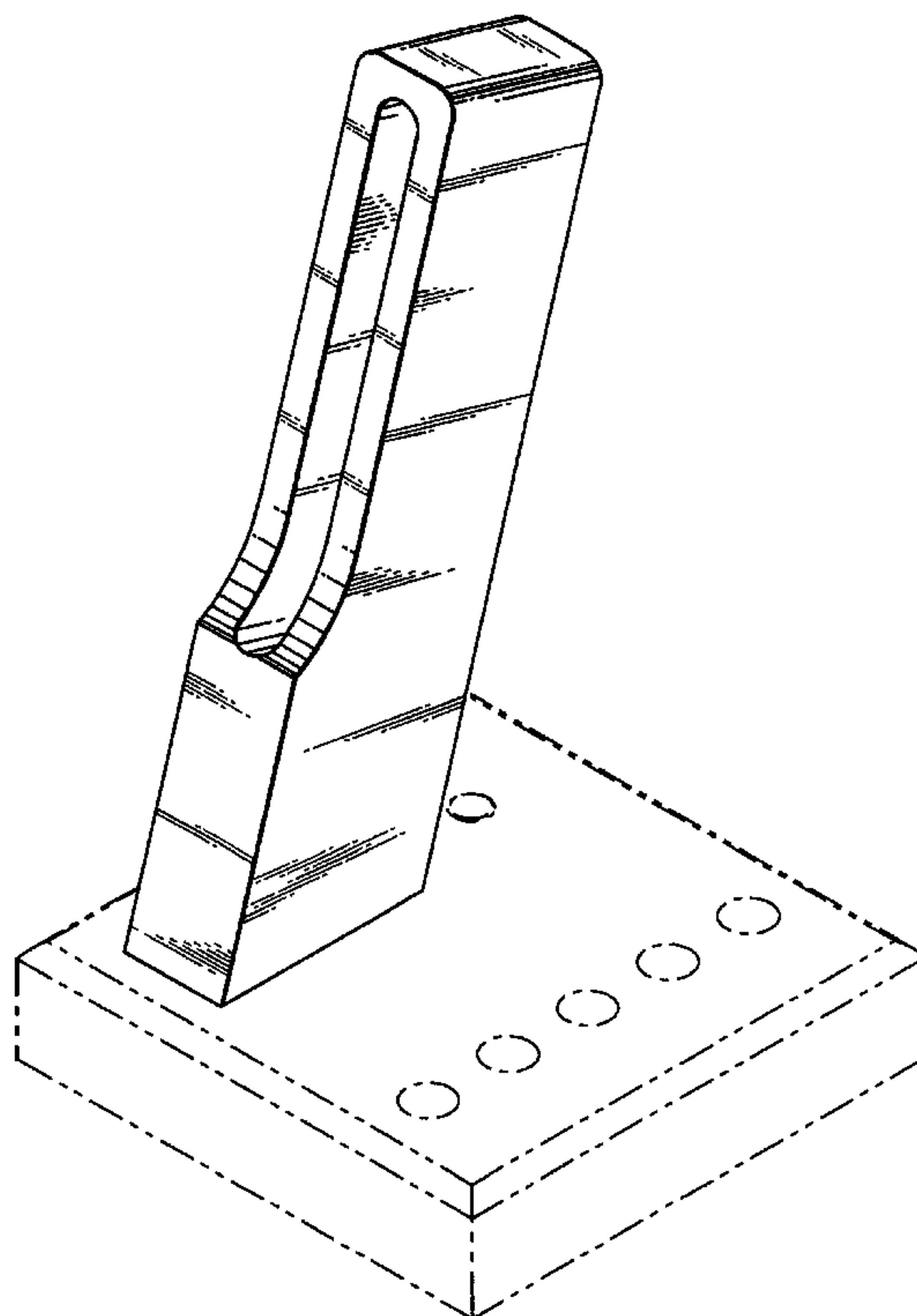
FIG. 8 is a cross-sectional view taken along line 8—8 on FIG. 2;

FIG. 9 is a cross-sectional view taken along line 9—9 on FIG. 2; and,

FIG. 10 is a cross-sectional view taken along line 10—10 on FIG. 2.

The broken lines in all views are for illustrative purposes only and form no part of the claimed design.

1 Claim, 4 Drawing Sheets



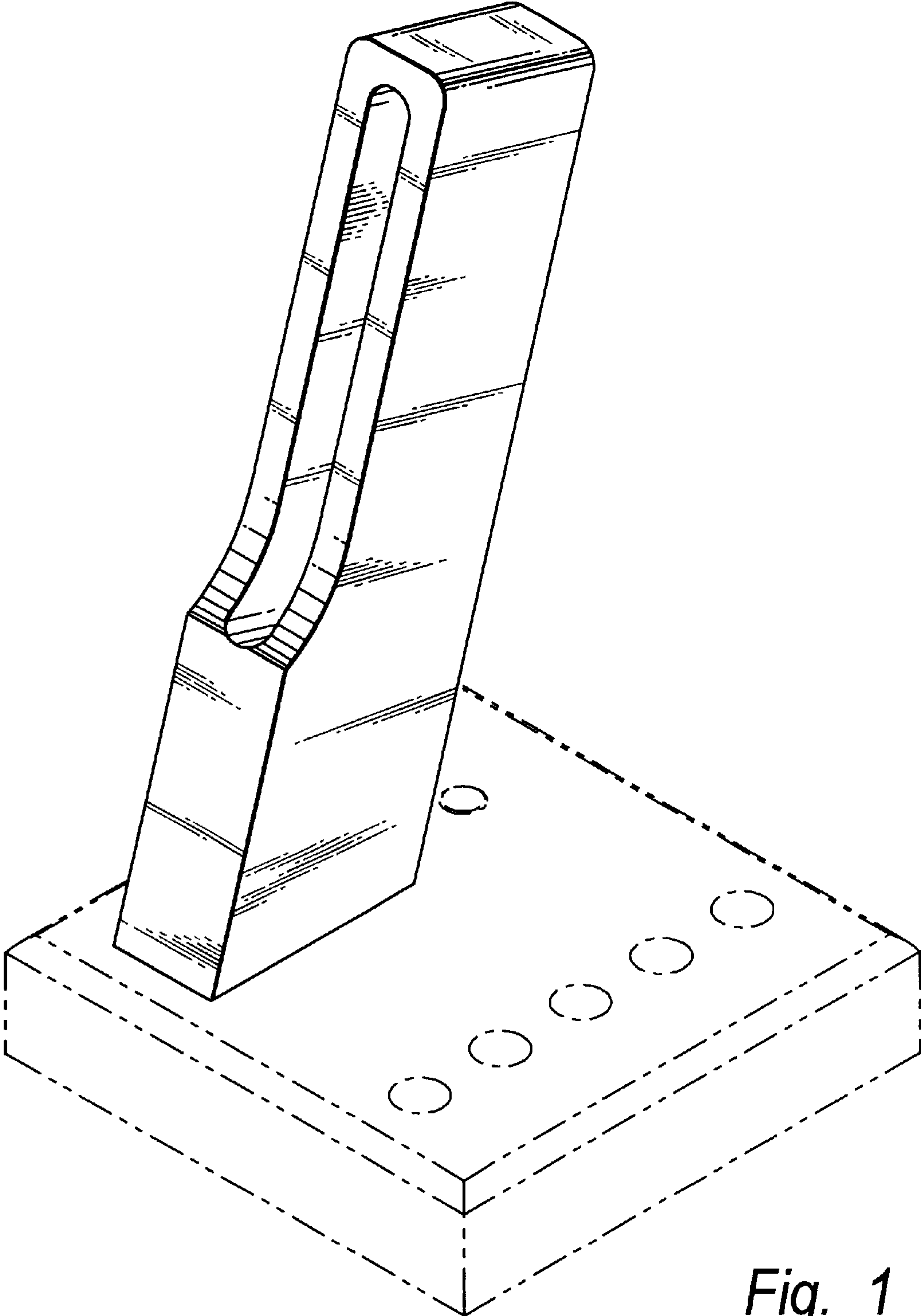


Fig. 1

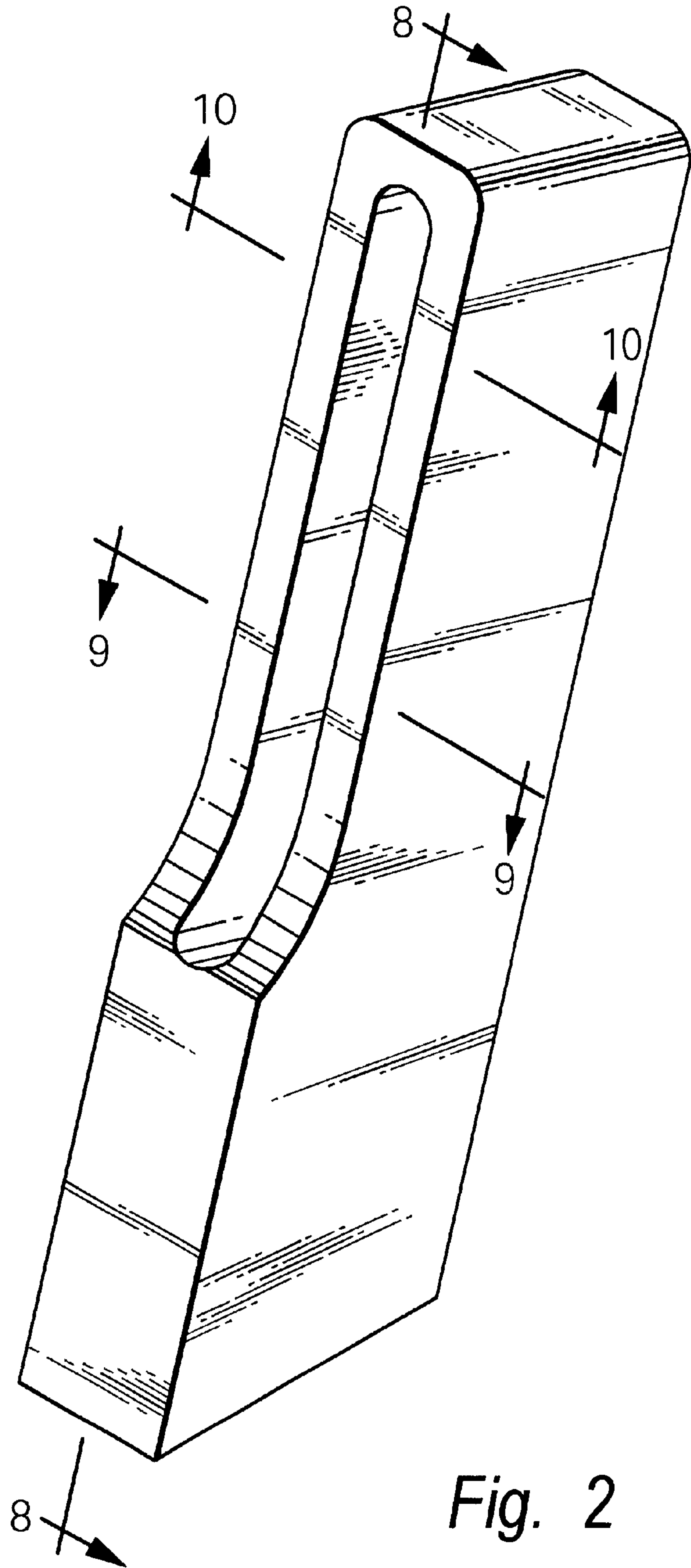


Fig. 2

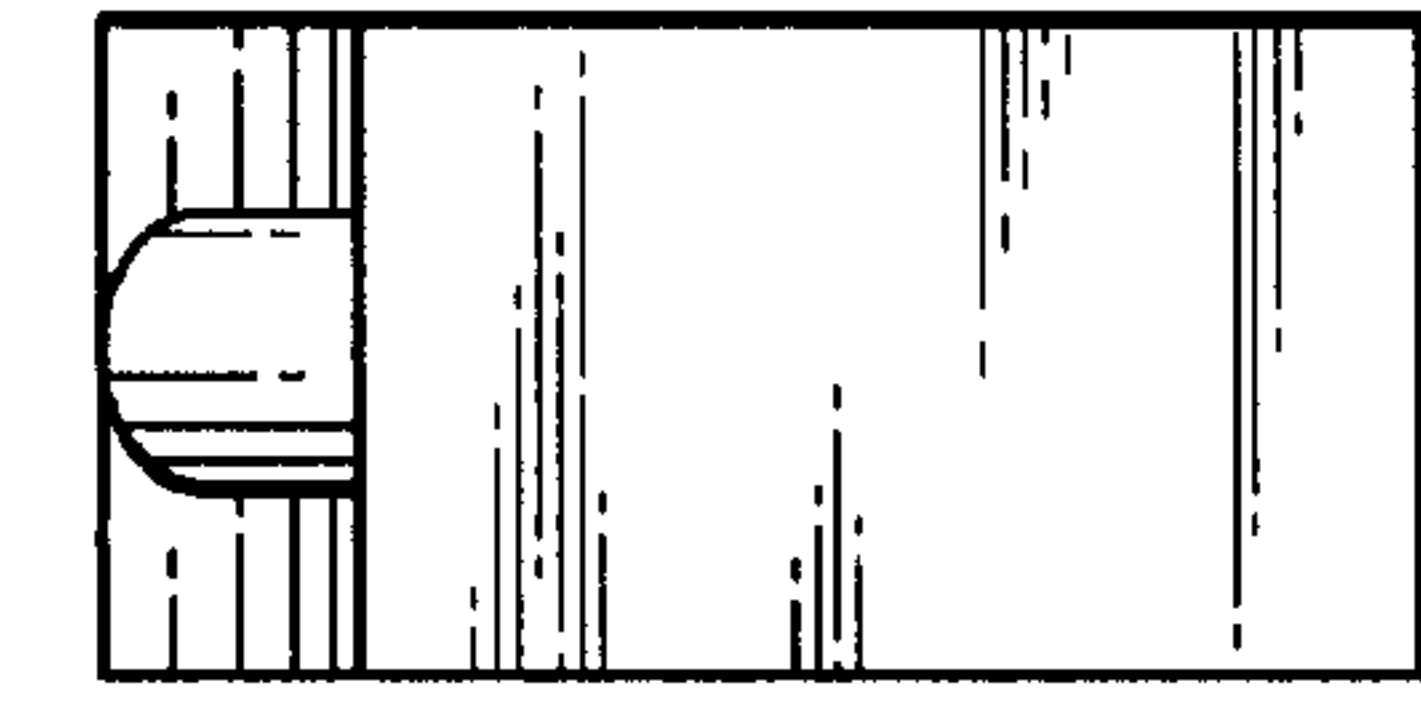
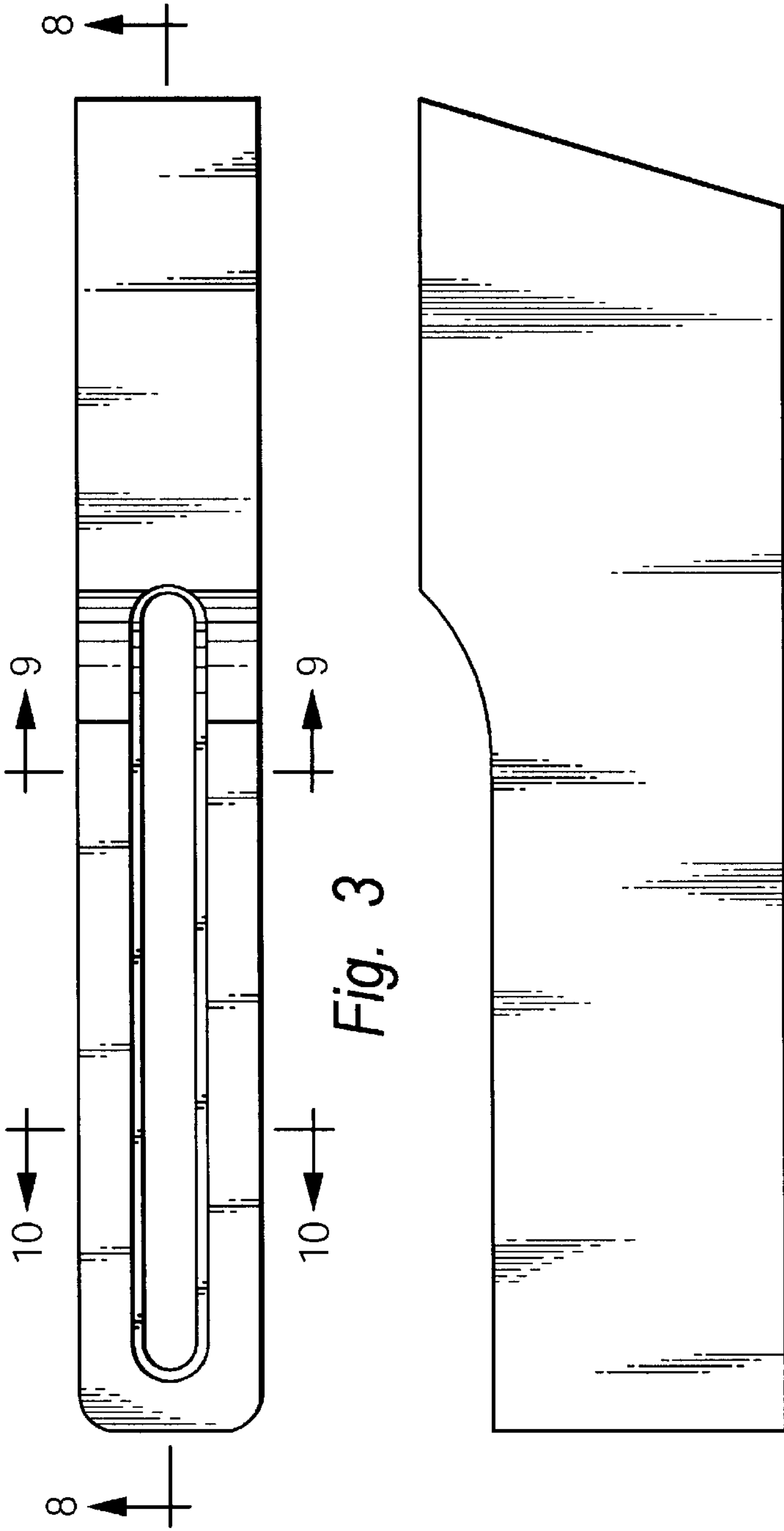


Fig. 6

Fig. 5

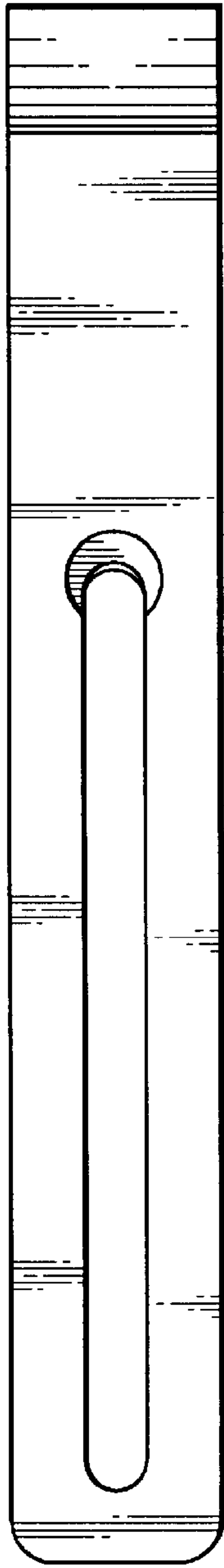


Fig. 7

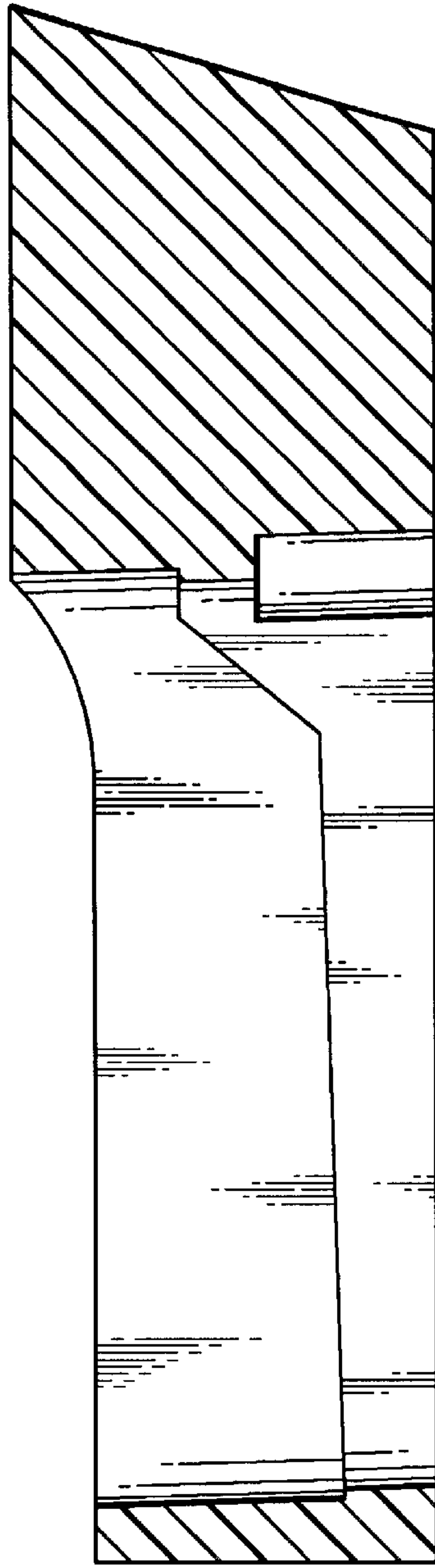


Fig. 8

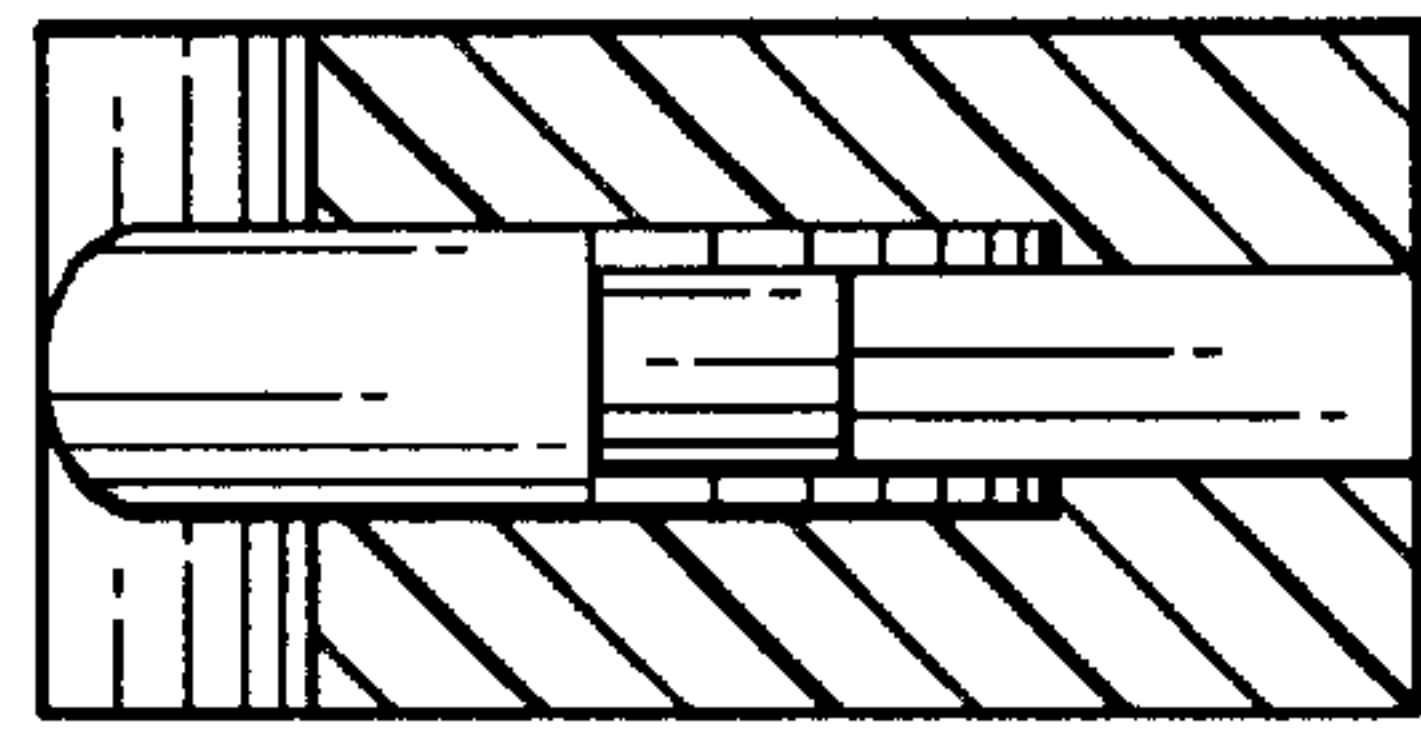


Fig. 9

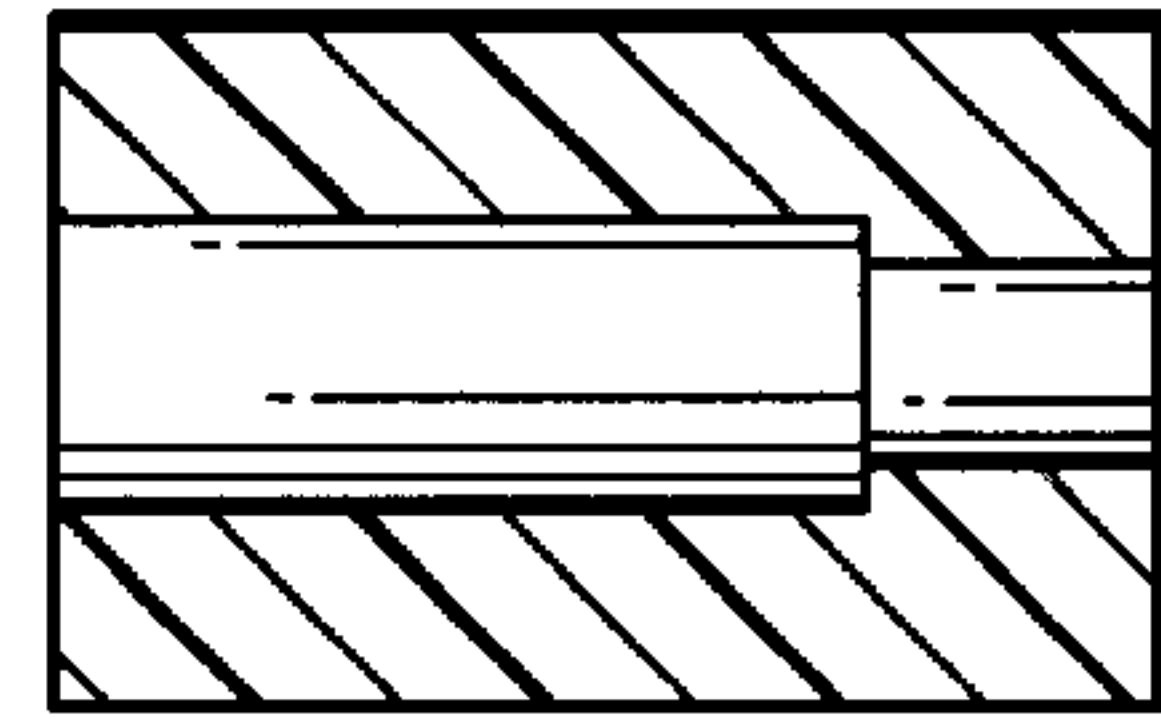


Fig. 10