

US00D527060S

(12) **United States Design Patent** (10) **Patent No.:** **US D527,060 S**
Flick et al. (45) **Date of Patent:** **** Aug. 22, 2006**

(54) **EXERCISE DEVICE WITH TREADLES**
(75) Inventors: **Edward L. Flick**, Denver, CO (US);
Andrew P. Lull, Boulder, CO (US)
(73) Assignee: **Nautilus, Inc.**, Vancouver, WA (US)
(**) Term: **14 Years**

2,239,687 A 4/1941 Parker
2,374,730 A 5/1945 Catlin
2,380,221 A 7/1945 Cundall
2,399,915 A 5/1946 Drake
2,425,860 A 8/1947 Brady
2,434,760 A 1/1948 Eggleston
2,603,486 A 7/1952 Hughes
2,855,200 A 10/1958 Blickman

(Continued)

(21) Appl. No.: **29/201,898**

FOREIGN PATENT DOCUMENTS

(22) Filed: **Mar. 22, 2004**

AU 233194 8/1959
CA 644774 7/1962
CA 2018219 C 12/1990

(51) **LOC (8) Cl.** **21-02**

(52) **U.S. Cl.** **D21/669**

(58) **Field of Classification Search** D21/662,

D21/668, 669, 670; 482/51, 52, 53, 54, 69

See application file for complete search history.

(Continued)

OTHER PUBLICATIONS

(56) **References Cited**

“A Brief Look At Airport”, Catalog, Airport Corp., pp. 1–15 (1982).
Damark International, Inc. Mail Order Catalog, dated Nov. 17, 1994, cover page and p. 6.
Treadmill Owner’s Manual by Formula 22100 Manual Treadmill, date unknown.

U.S. PATENT DOCUMENTS

219,439 A 9/1879 Blend
321,388 A 6/1885 Ruebsam
625,905 A 5/1899 Souder
663,486 A 12/1900 Boren
683,124 A 9/1901 Lange
782,010 A 2/1905 Dodge
783,769 A 2/1905 Wright
881,521 A 3/1908 Wilson
931,394 A 8/1909 Day
956,681 A 5/1910 Clarke
1,015,071 A 1/1912 Reach
1,020,777 A 3/1912 Peterson
1,166,304 A 12/1915 Albert
1,239,077 A 9/1917 Begg
1,587,749 A 6/1926 Bierly
1,715,870 A 6/1929 Spain
1,824,406 A 9/1931 Petersime
1,850,530 A 3/1932 Brown
1,870,244 A 8/1932 Elston
1,902,694 A 3/1933 Edwards
1,928,089 A 9/1933 Blickman
1,969,901 A 8/1934 Pilates
1,973,945 A 9/1934 Chavin et al.
2,209,034 A 7/1940 Paul
2,239,076 A 4/1941 Biedess

(Continued)

Primary Examiner—Philip S. Hyder

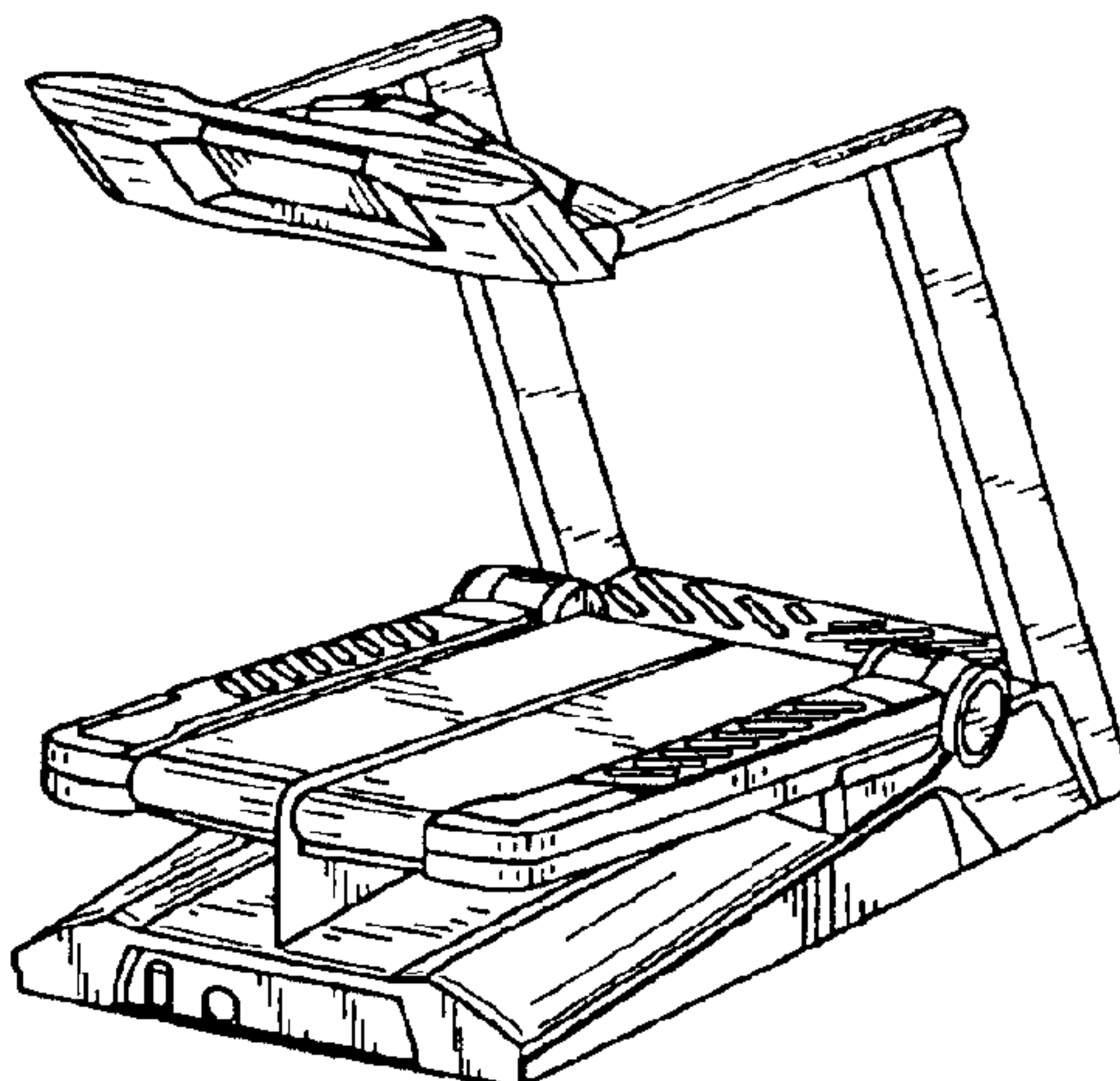
(57) **CLAIM**

The ornamental design for an exercise device with treadles, as shown and described.

DESCRIPTION

FIG. 1 is an isometric view of an exercise device with treadles, in accordance with the present invention;
FIG. 2 is a front elevation view thereof;
FIG. 3 is a rear elevation view thereof;
FIG. 4 is a left side elevation view thereof;
FIG. 5 is a right side elevation view thereof; and,
FIG. 6 is a top plan view thereof.
The bottom of the exercise device with treadles is not shown and forms no part of the claimed design.

1 Claim, 4 Drawing Sheets



US D527,060 S

Page 2

U.S. PATENT DOCUMENTS					
			4,248,476 A	2/1981	Phelps
			4,270,749 A	6/1981	Hebern
			4,300,761 A	11/1981	Howard
			4,316,609 A	2/1982	Silberman
			4,319,747 A	3/1982	Rogers
			D263,978 S	4/1982	Brentham
			4,334,676 A	6/1982	Schonenberger
			4,344,616 A	8/1982	Ogden
			4,350,336 A	9/1982	Hanford
			4,350,913 A	9/1982	Eddens
			4,358,105 A	11/1982	Sweeney, Jr.
			4,363,480 A	12/1982	Fisher et al.
			4,364,556 A	12/1982	Otte
			4,369,966 A	1/1983	Silberman et al.
			4,370,766 A	2/1983	Teague, Jr.
			4,374,587 A	2/1983	Ogden
			4,383,714 A	5/1983	Ishida
			4,411,342 A	10/1983	Katsumori et al.
			4,422,635 A	12/1983	Herod et al.
			4,423,864 A	1/1984	Wiik
			4,445,683 A	5/1984	Ogden
			4,452,448 A	6/1984	Ausherman
			4,462,252 A	7/1984	Smidt et al.
			4,470,597 A	9/1984	McFee
			4,477,071 A	10/1984	Brown et al.
			4,480,832 A	11/1984	Bulmash et al.
			4,492,375 A	1/1985	Connelly
			4,502,679 A	3/1985	De Lorenzo
			4,509,510 A	4/1985	Hook
			4,509,742 A	4/1985	Cones
			4,521,013 A	6/1985	Dofel
			D280,224 S	8/1985	Wilson
			4,563,001 A	1/1986	Terauds
			4,572,500 A	2/1986	Weiss
			4,576,352 A	3/1986	Ogden
			D283,239 S	4/1986	Smith et al.
			4,582,320 A	4/1986	Shaw
			4,588,065 A	5/1986	Maiden et al.
			4,591,147 A	5/1986	Smith et al.
			D284,597 S	7/1986	Smith et al.
			4,600,187 A	7/1986	Schenker
			4,600,196 A	7/1986	Jones
			4,602,779 A	7/1986	Ogden
			4,614,337 A	9/1986	Schonenberger
			4,616,822 A	10/1986	Trulaske et al.
			4,618,144 A	10/1986	Gibson
			4,621,623 A	11/1986	Wang
			4,625,962 A	12/1986	Street
			4,627,619 A	12/1986	Rockwell et al.
			4,629,062 A	12/1986	Silverthorn et al.
			4,632,385 A	12/1986	Geraci
			4,635,927 A	1/1987	Shu
			4,635,928 A	1/1987	Ogden et al.
			4,643,418 A	2/1987	Bart
			4,645,197 A	2/1987	McFee
			4,645,200 A	2/1987	Hix
			4,659,077 A	4/1987	Stropkay
			D289,668 S	5/1987	Gremonprez et al.
			4,664,371 A	5/1987	Viander
			4,664,646 A	5/1987	Rorabaugh
			4,679,787 A	7/1987	Guilbault
			4,681,316 A	7/1987	DeCloux
			4,687,195 A	8/1987	Potts
			4,690,398 A	9/1987	Smith
			4,708,337 A	11/1987	Shyu
			4,708,338 A	11/1987	Potts
			4,720,093 A	1/1988	Del Mar
			4,726,583 A	2/1988	Olsen et al.
			4,729,558 A	3/1988	Kuo
			4,749,181 A	6/1988	Pittaway et al.
			4,750,735 A	6/1988	Furgerson et al.
2,866,538 A	12/1958	Goldberg			
3,022,433 A	2/1962	Ferranti			
3,127,171 A	3/1964	Noland et al.			
3,295,847 A	1/1967	Matt, Sr.			
3,312,466 A	4/1967	Melchiona			
D207,541 S	5/1967	Hesen			
3,316,898 A	5/1967	Brown			
3,319,767 A	5/1967	Bretemitz et al.			
3,348,678 A	10/1967	Flowers			
3,378,259 A	4/1968	Kupchinski			
D211,801 S	7/1968	Quinton			
3,427,019 A	2/1969	Brown			
3,444,830 A	5/1969	Doetsch			
3,473,843 A	10/1969	Hart			
3,497,215 A	2/1970	Harrison et al.			
3,501,040 A	3/1970	Martele			
3,501,140 A	3/1970	Eichorn			
3,511,500 A	5/1970	Dunn			
3,525,522 A	8/1970	Piller			
3,529,474 A	9/1970	Olson et al.			
3,559,986 A	2/1971	Ehrmantraut			
3,586,322 A	6/1971	Kverneland			
3,589,715 A	6/1971	Mark			
3,590,980 A	7/1971	Bengtsson			
3,592,466 A	7/1971	Parsons			
3,602,502 A	8/1971	Hampl			
3,614,097 A	10/1971	Blickman			
3,627,313 A	12/1971	Schonfeld			
3,628,654 A	12/1971	Haracz			
3,638,941 A	2/1972	Kulkens			
3,642,279 A	2/1972	Cutter			
3,643,943 A	2/1972	Erwin, Jr. et al.			
3,647,209 A	3/1972	La Lanne			
3,659,845 A	5/1972	Quinton			
3,689,066 A	9/1972	Hagen			
3,703,284 A	11/1972	Hesen			
3,709,487 A	1/1973	Walker			
3,711,812 A	1/1973	Cherry			
3,731,917 A	5/1973	Townsend			
3,741,538 A	6/1973	Lewis et al.			
3,741,540 A	6/1973	Shimizu			
3,747,924 A	7/1973	Champoux			
3,759,511 A	9/1973	Zinkin et al.			
3,770,267 A	11/1973	McCarthy			
3,814,420 A	6/1974	Encke			
3,826,491 A	7/1974	Elder			
3,870,297 A	3/1975	Elder			
3,874,657 A	4/1975	Niebojewski			
3,892,404 A	7/1975	Martucci			
3,896,925 A	7/1975	Mitsui et al.			
3,918,710 A	11/1975	Niebojewski			
3,948,351 A	4/1976	Baumann			
3,956,976 A	5/1976	Vogel et al.			
3,962,595 A	6/1976	Eddens			
3,963,101 A	6/1976	Stadelmann et al.			
3,966,182 A	6/1976	Stadelmann et al.			
4,023,466 A	5/1977	Strassheimer			
4,026,545 A	5/1977	Schonenberger			
4,066,257 A	1/1978	Moller			
4,072,309 A	2/1978	Wilson			
4,085,344 A	4/1978	Eddens			
4,093,196 A	6/1978	Bauer			
4,131,266 A	12/1978	Carter			
4,140,312 A	2/1979	Buchmann			
4,151,988 A	5/1979	Nabinger			
4,157,179 A	6/1979	Ecklor, Jr.			
4,185,622 A	1/1980	Swenson			
4,194,442 A	3/1980	Martelli			
4,204,673 A	5/1980	Speer, Sr.			
4,240,627 A	12/1980	Brentham			

US D527,060 S

Page 3

4,757,987 A	7/1988	Allemand	5,131,895 A	7/1992	Rogers, Jr.
4,759,540 A	7/1988	Yu et al.	D328,770 S	8/1992	Henderson et al.
4,766,996 A	8/1988	Gibson	5,135,216 A	8/1992	Bingham et al.
4,786,050 A	11/1988	Geschwender	5,135,447 A	8/1992	Robards, Jr. et al.
4,792,134 A	12/1988	Chen	5,139,470 A	8/1992	Wang
4,796,881 A	1/1989	Watterson	5,141,479 A	8/1992	Vanjani et al.
4,799,676 A	1/1989	Sheppard et al.	5,160,302 A	11/1992	Li
4,805,901 A	2/1989	Kulick	5,163,885 A	11/1992	Wanzer et al.
4,819,583 A	4/1989	Guerra	5,180,353 A	1/1993	Snyderman
4,826,153 A	5/1989	Schalip	5,183,449 A	2/1993	DeCloux
4,830,362 A	5/1989	Bull	5,184,988 A	2/1993	Dunham
4,836,543 A	6/1989	Holzer	5,188,577 A	2/1993	Young et al.
4,838,543 A	6/1989	Armstrong et al.	5,190,505 A	3/1993	Dalebout et al.
4,842,266 A	6/1989	Sweeney, Sr. et al.	5,192,255 A	3/1993	Dalebout et al.
4,844,449 A	7/1989	Truslaske	5,199,932 A	4/1993	Liao
4,848,737 A	7/1989	Ehrenfield	5,203,800 A	4/1993	Meredith
4,852,874 A	8/1989	Sleichter, III et al.	5,205,800 A	4/1993	Grant
4,854,577 A	8/1989	Sims	4,913,396 A	5/1993	Dalebout et al.
D303,414 S	9/1989	Armstrong et al.	5,207,621 A	5/1993	Koch et al.
4,869,494 A	9/1989	Lambert, Sr.	5,207,622 A	5/1993	Wilkinson et al.
4,881,934 A	11/1989	Harston et al.	5,207,628 A	5/1993	Graham
4,886,266 A	12/1989	Trulaske	5,209,714 A	5/1993	Sainte et al.
4,905,330 A	3/1990	Jacobs	5,215,515 A	6/1993	Bershadsky
4,913,396 A	4/1990	Dalebout et al.	5,232,421 A	8/1993	Chen et al.
4,913,423 A	4/1990	Farran et al.	5,236,407 A	8/1993	Wang
4,918,766 A	4/1990	Leonageo, Jr.	5,242,343 A	9/1993	Miller
4,921,247 A	5/1990	Sterling	5,246,410 A	9/1993	Fun
4,927,138 A	5/1990	Ferrari	5,251,742 A	10/1993	Campbell
4,938,473 A	7/1990	Lee et al.	5,254,067 A	10/1993	Habing et al.
4,944,518 A	7/1990	Flynn	5,256,117 A	10/1993	Potts et al.
4,949,954 A	8/1990	Hix	5,263,910 A	11/1993	Yang
4,949,993 A	8/1990	Stark et al.	5,267,923 A	12/1993	Piaget et al.
4,959,040 A	9/1990	Gardner et al.	5,277,677 A	1/1994	Terauds
4,974,831 A	12/1990	Dunham	5,279,528 A	1/1994	Dalebout et al.
D313,826 S	1/1991	Birrell et al.	5,282,776 A	2/1994	Dalebout
4,984,810 A	1/1991	Stearns et al.	5,282,992 A	2/1994	Reichgott
4,989,858 A	2/1991	Young et al.	5,290,204 A	3/1994	Lee
4,998,725 A	3/1991	Watterson et al.	5,290,205 A	3/1994	Densmore et al.
5,000,440 A	3/1991	Lynch	5,290,211 A	3/1994	Stearns
5,002,271 A	3/1991	Gonzales	5,299,992 A	4/1994	Wilkinson
5,007,630 A	4/1991	Real et al.	5,299,993 A	4/1994	Habing
5,019,029 A	5/1991	Calvert	5,302,162 A	4/1994	Pasero
5,026,046 A	6/1991	DeCloux	5,304,105 A	4/1994	Hsieh
5,028,801 A	7/1991	Gerdt	5,318,490 A	6/1994	Henderson et al.
5,029,801 A	7/1991	Dalebout et al.	5,320,588 A	6/1994	Wanzer et al.
5,039,088 A	8/1991	Shifferaw	5,322,491 A	6/1994	Wanzer et al.
5,040,786 A	8/1991	Jou	5,323,784 A	6/1994	Shu
5,058,881 A	10/1991	Measom	5,330,397 A	7/1994	Prince et al.
5,058,882 A	10/1991	Dalebout et al.	5,330,401 A	7/1994	Walstead
5,061,231 A	10/1991	Dietrich et al.	4,913,396 A	8/1994	Dalebout et al.
D321,734 S	11/1991	Dunham et al.	5,335,146 A	8/1994	Stucke
5,062,627 A	11/1991	Bingham	5,336,144 A	8/1994	Rodden
5,067,937 A	11/1991	Aschaber et al.	5,336,146 A	8/1994	Piaget et al.
5,071,115 A	12/1991	Welch	5,338,271 A	8/1994	Wang
5,072,928 A	12/1991	Stearns et al.	5,344,371 A	9/1994	Wang
5,078,389 A	1/1992	Chen	5,346,452 A	9/1994	Ku
5,078,669 A	1/1992	Dietrich et al.	5,352,167 A	10/1994	Ulicny
5,081,991 A	1/1992	Chance	5,368,532 A	11/1994	Farnet
5,085,426 A	2/1992	Wanzer et al.	5,372,559 A	12/1994	Dalebout et al.
5,088,729 A	2/1992	Dalebout	5,372,560 A	12/1994	Chang
5,090,690 A	2/1992	Huang	5,374,227 A	12/1994	Webb
5,100,127 A	3/1992	Melnick et al.	5,192,255 A	1/1995	Dalebout et al.
5,102,380 A	4/1992	Jacobson et al.	5,382,207 A	1/1995	Skowronski et al.
5,102,385 A	4/1992	Calvert	5,383,829 A	1/1995	Miller
5,105,931 A	4/1992	Lashyro	5,401,226 A	3/1995	Stearns
5,109,778 A	5/1992	Berkowitz et al.	RE34,959 E	5/1995	Potts
5,110,117 A	5/1992	Fisher et al.	5,411,454 A	5/1995	Chang
5,114,388 A	5/1992	Trulaske	4,913,396 A	6/1995	Dalebout et al.
5,114,389 A	5/1992	Brentham	5,429,563 A	7/1995	Engel et al.
5,129,872 A	7/1992	Dalton et al.	5,441,467 A	8/1995	Stevens
5,129,873 A	7/1992	Henderson et al.	5,441,468 A	8/1995	Deckers et al.

DE 36 01 184 A1 7/1987
 DE 38 39 391 A1 6/1989
 EP 0 196 877 A2 10/1986
 EP 0 225 810 A1 6/1987
 EP 0 403 924 A2 12/1990
 EP 0 504 649 A1 9/1992
 EP 0 914 842 A2 5/1999
 FR 1 565 617 3/1969
 FR 2 616 132 12/1988
 GB 1 505 702 3/1978
 GB 2 152 825 A 8/1985
 GB 2 272 167 A 5/1994
 JP 51-10842 3/1976
 SE 58 213 6/1995
 SE 66 279 10/2000
 SE 66 280 10/2000
 SU 546523 3/1977
 SU 1 265 113 A1 10/1986
 SU 1 297 879 A1 3/1987
 SU 1 567 221 A1 5/1990
 TW 547102 8/2003
 WO WO 81/01960 7/1981
 WO WO 82/01138 4/1982

WO WO 92/11905 7/1992
 WO WO 94/20170 9/1994
 WO WO 95/16502 6/1995
 WO WO 99/21620 5/1999
 WO WO 00/06256 2/2000
 WO WO 00/18472 4/2000
 WO WO 00/30717 6/2000

OTHER PUBLICATIONS

Versatile Exercise System; Abstract from Recreation, Sports & Leisure, p. 10 (1986).
 Instruction Booklet for "Body Shop 360" by Weslo International, Inc., pp. 1-30, (1984).
 Owner's Manual for Weider Flex CTS Cross Training System for Model No. 870300, Weslo, Inc., a Weider Health and Fitness, Inc. Company, pp. 1-12 (Mar. 1990).
 Catalog, Diamond House International Inc., date unknown.
 J.K. Exer, Catalog, JTH KAO Ent. Co., Ltd., Date unknown.
 "Nautilus Home Health & Fitness Catalog", Nautilus, Inc., pp. 1-56 (2004).

* cited by examiner

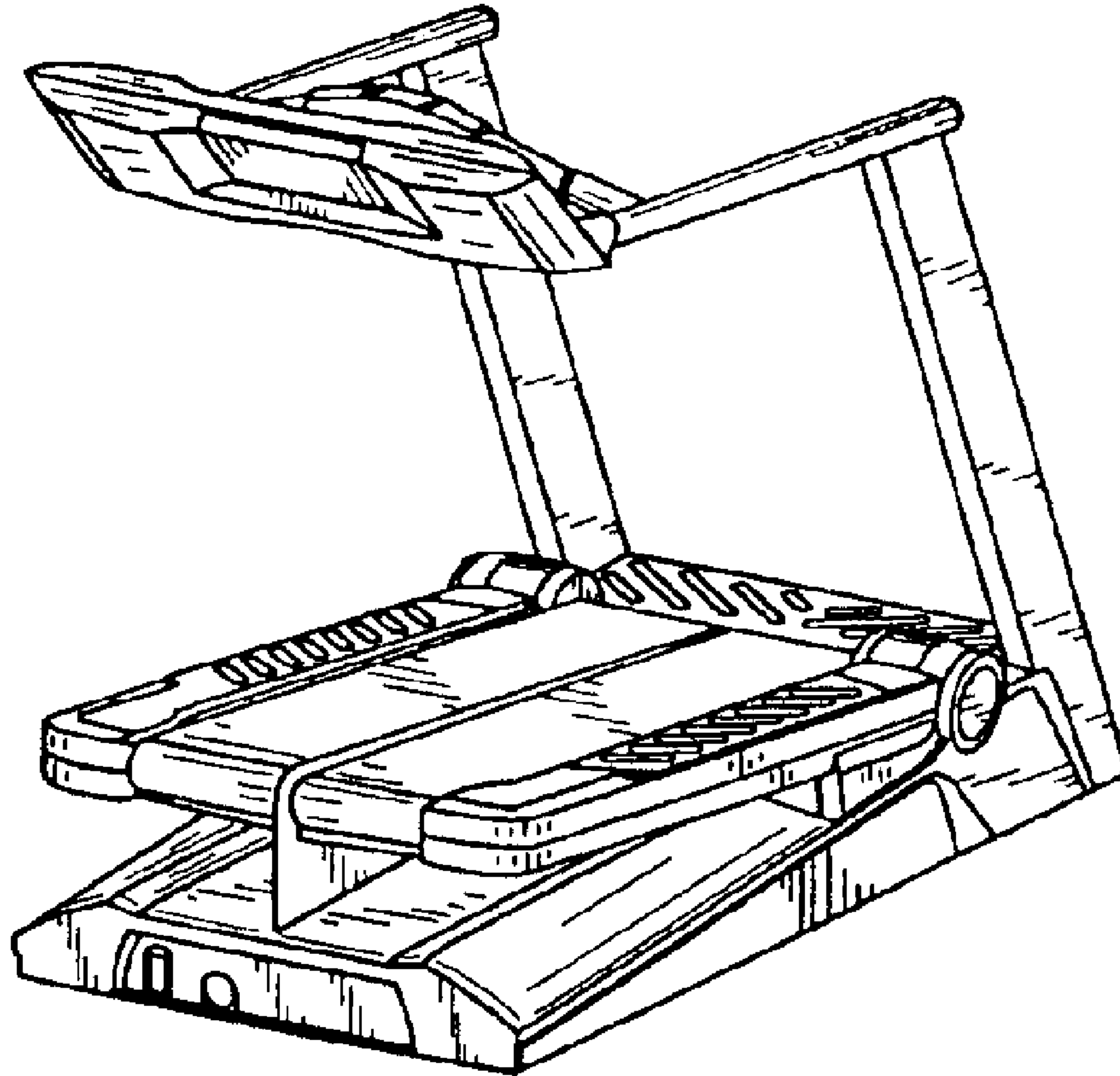


FIG. 1

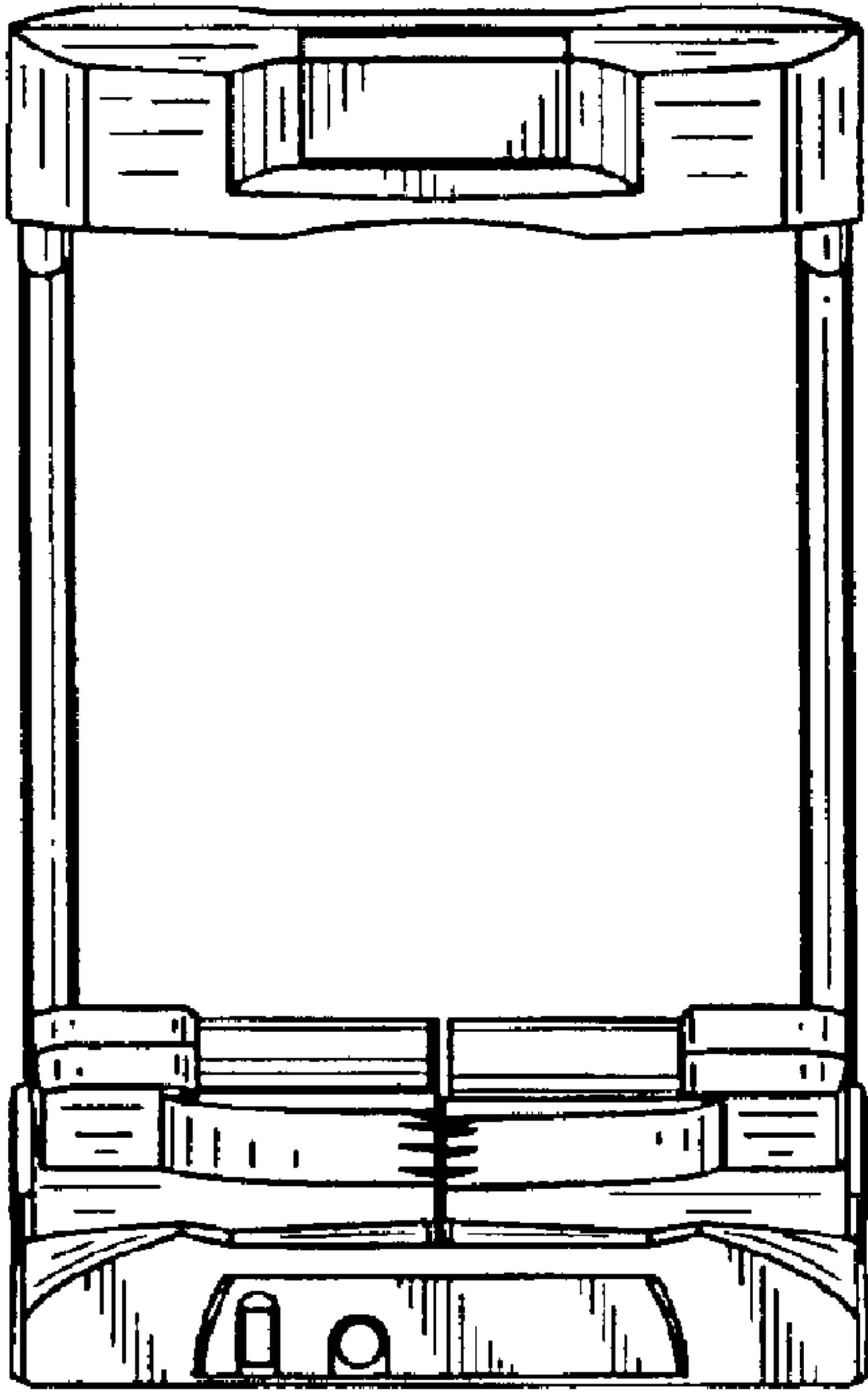


FIG. 2

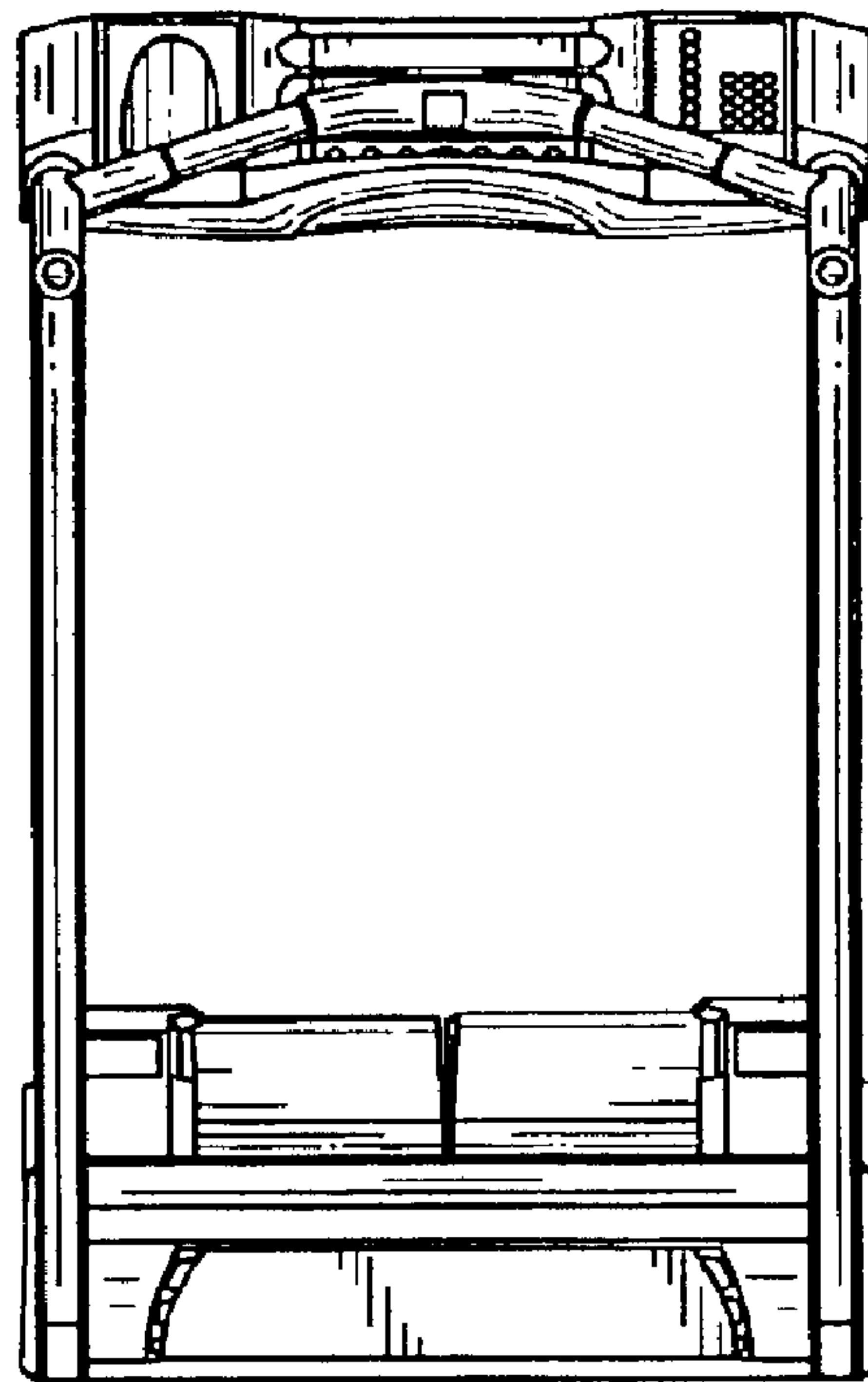


FIG. 3

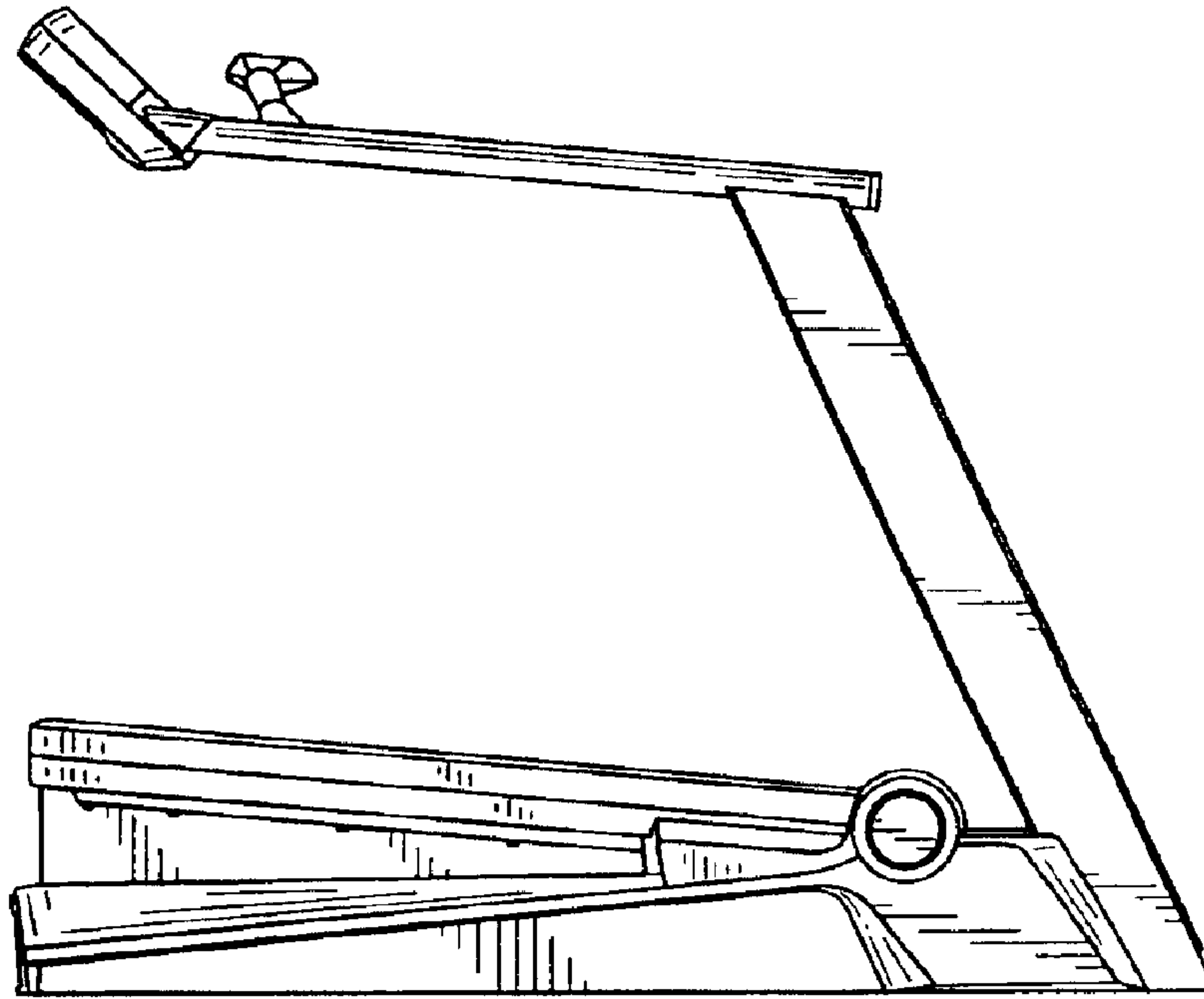


FIG.4

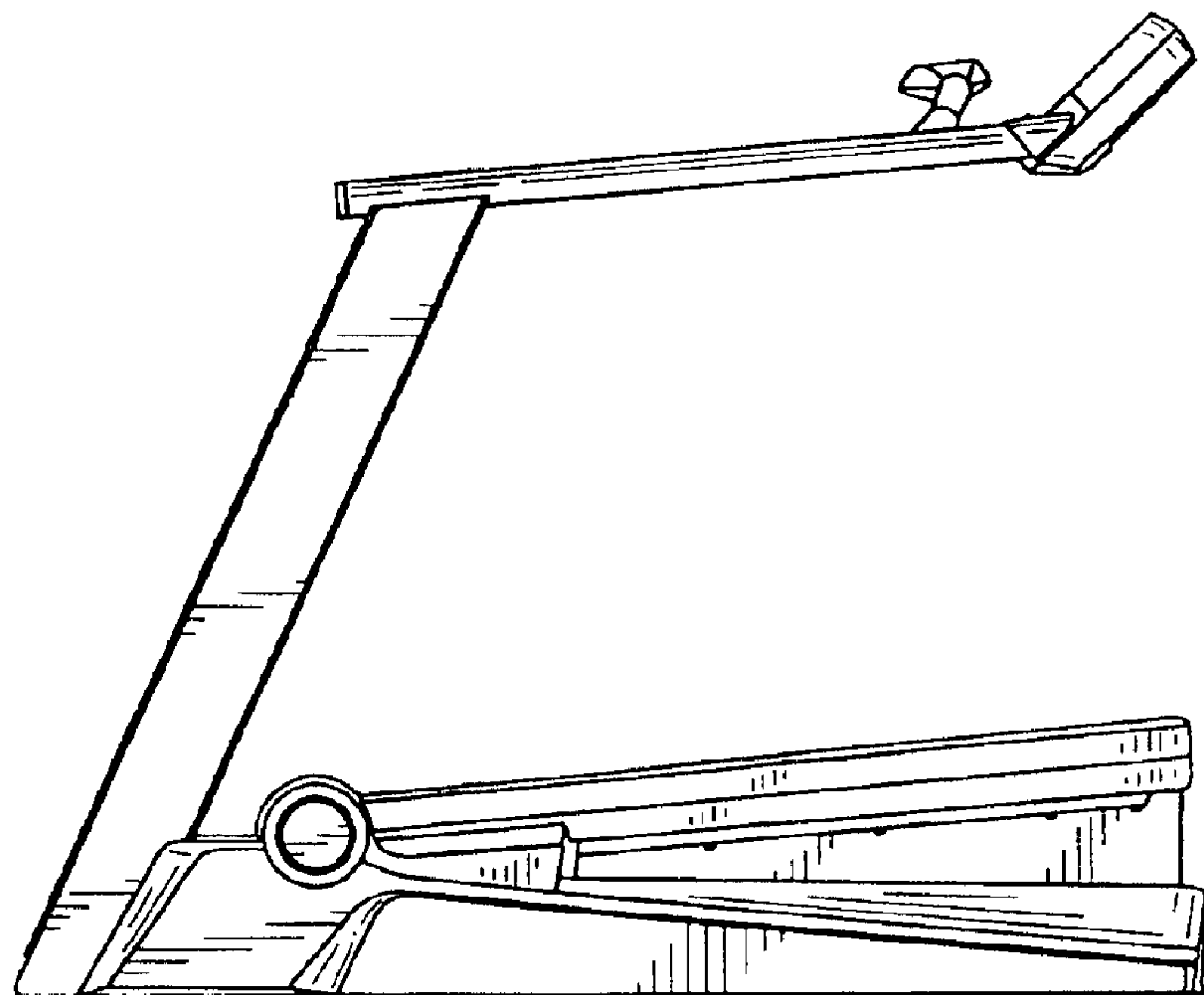


FIG.5

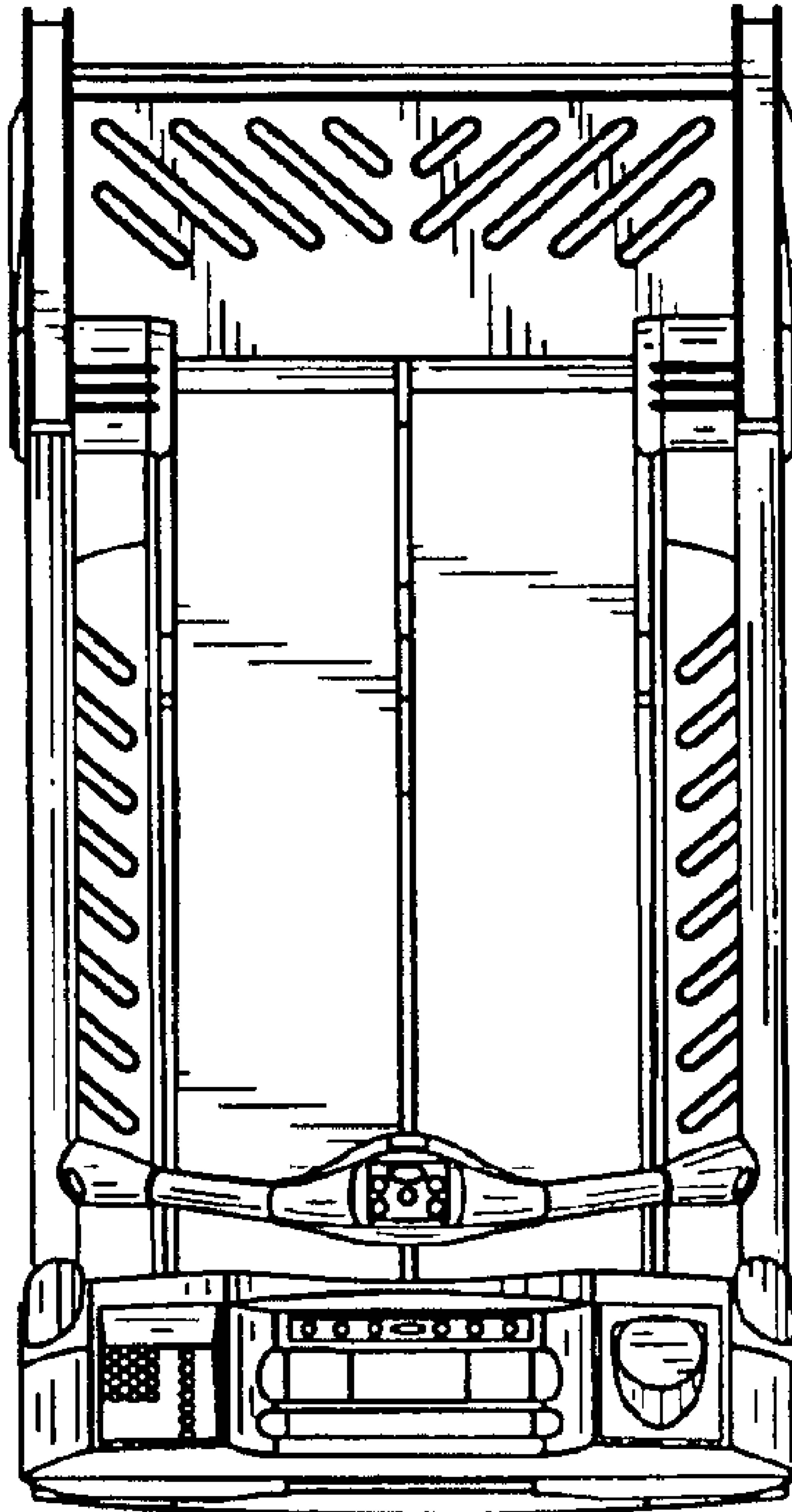


FIG.6

UNITED STATES PATENT AND TRADEMARK OFFICE
CERTIFICATE OF CORRECTION

PATENT NO. : Des. 527,060 S
APPLICATION NO. : 29/201898
DATED : August 22, 2006
INVENTOR(S) : Edward L. Flick et al.

Page 1 of 1

It is certified that error appears in the above-identified patent and that said Letters Patent is hereby corrected as shown below:

Title page, Item (56), Page 4, line 61, References Cited, U.S. Patent Documents, insert the following:

2004/0018918 A1	01/2004	Reyes et al.
2004/0132583 A1	07/2004	Ohrt et al.

Signed and Sealed this

Thirteenth Day of March, 2007

A handwritten signature in black ink on a light gray dotted background. The signature reads "Jon W. Dudas" in a cursive style.

JON W. DUDAS

Director of the United States Patent and Trademark Office