



US00D527057S

(12) **United States Design Patent**  
**Poon**

(10) **Patent No.:** **US D527,057 S**

(45) **Date of Patent:** **\*\* Aug. 22, 2006**

(54) **WATER GUN**

D463,509 S \* 9/2002 Huang ..... D21/572  
D478,639 S \* 8/2003 Menow et al. .... D21/572  
D479,286 S \* 9/2003 Menow et al. .... D21/572

(75) Inventor: **Ka Hung Poon**, Kowloon (HK)

\* cited by examiner

(73) Assignee: **Goldmen Electronic Company Limited**, Kowloon (HK)

*Primary Examiner*—Holly Baynham  
*Assistant Examiner*—Cynthia M. Chin

(\*\*) Term: **14 Years**

(74) *Attorney, Agent, or Firm*—Rabin & Berdo, P.C.

(21) Appl. No.: **29/236,623**

(57) **CLAIM**

(22) Filed: **Aug. 19, 2005**

The ornamental design for a water gun, as shown and described.

(51) **LOC (8) Cl.** ..... **21-01**

(52) **U.S. Cl.** ..... **D21/572**

(58) **Field of Classification Search** ..... D21/567–575;  
D26/225–226; D22/103; 446/267, 473, 475;  
222/78–79; 239/211, 237, 329, 373; 124/6,  
124/16, 73–76

See application file for complete search history.

**DESCRIPTION**

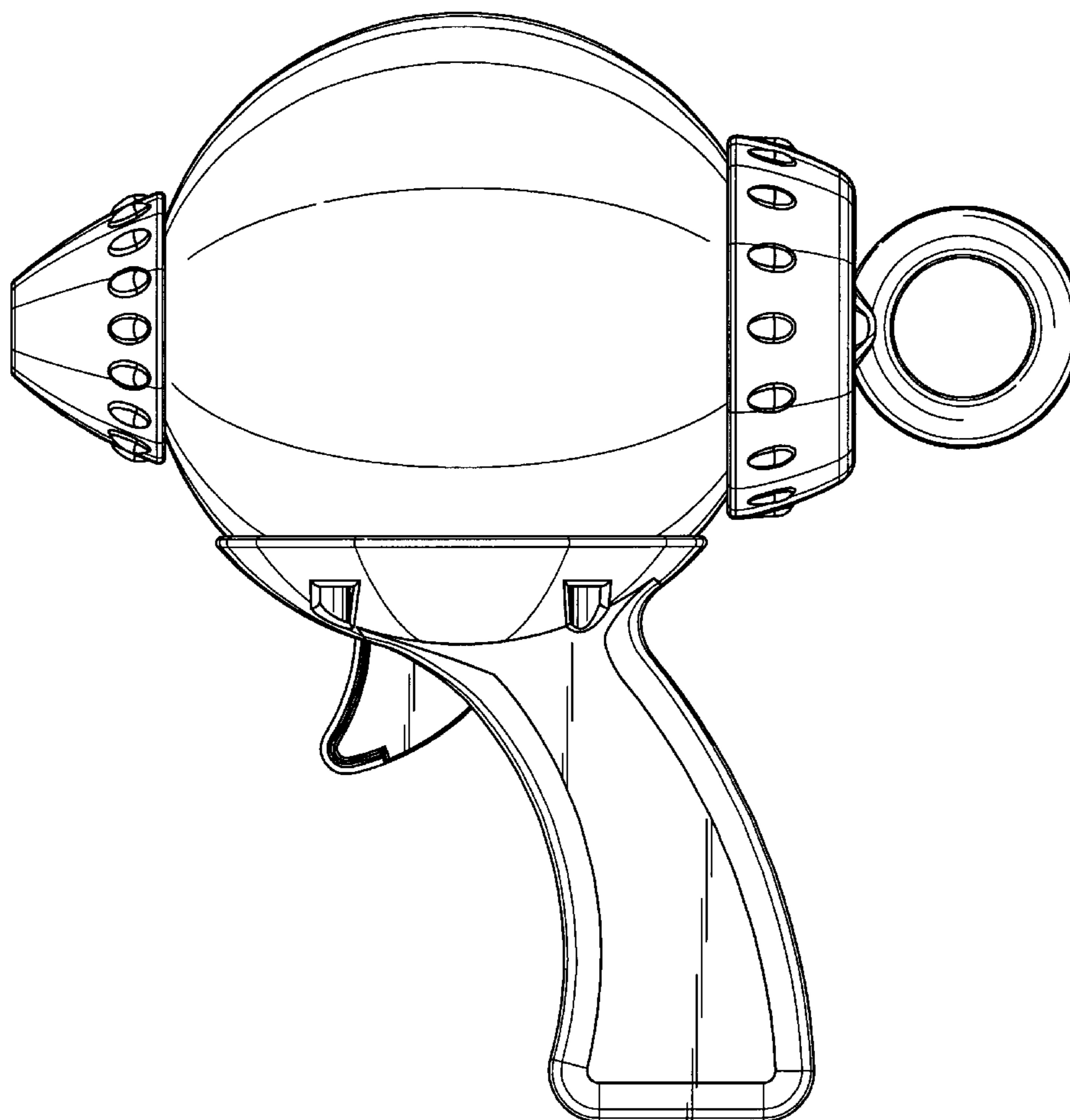
FIG. 1 is a perspective view of a water gun showing my new design;  
FIG. 2 is a front view thereof;  
FIG. 3 is a rear view thereof;  
FIG. 4 is a left side view thereof;  
FIG. 5 is a right side view thereof;  
FIG. 6 is a top plan view thereof; and,  
FIG. 7 is a bottom plan view thereof.

(56) **References Cited**

**U.S. PATENT DOCUMENTS**

D429,505 S \* 8/2000 Hornsby et al. .... D21/572  
D439,286 S \* 3/2001 Hornsby et al. .... D21/572

**1 Claim, 6 Drawing Sheets**



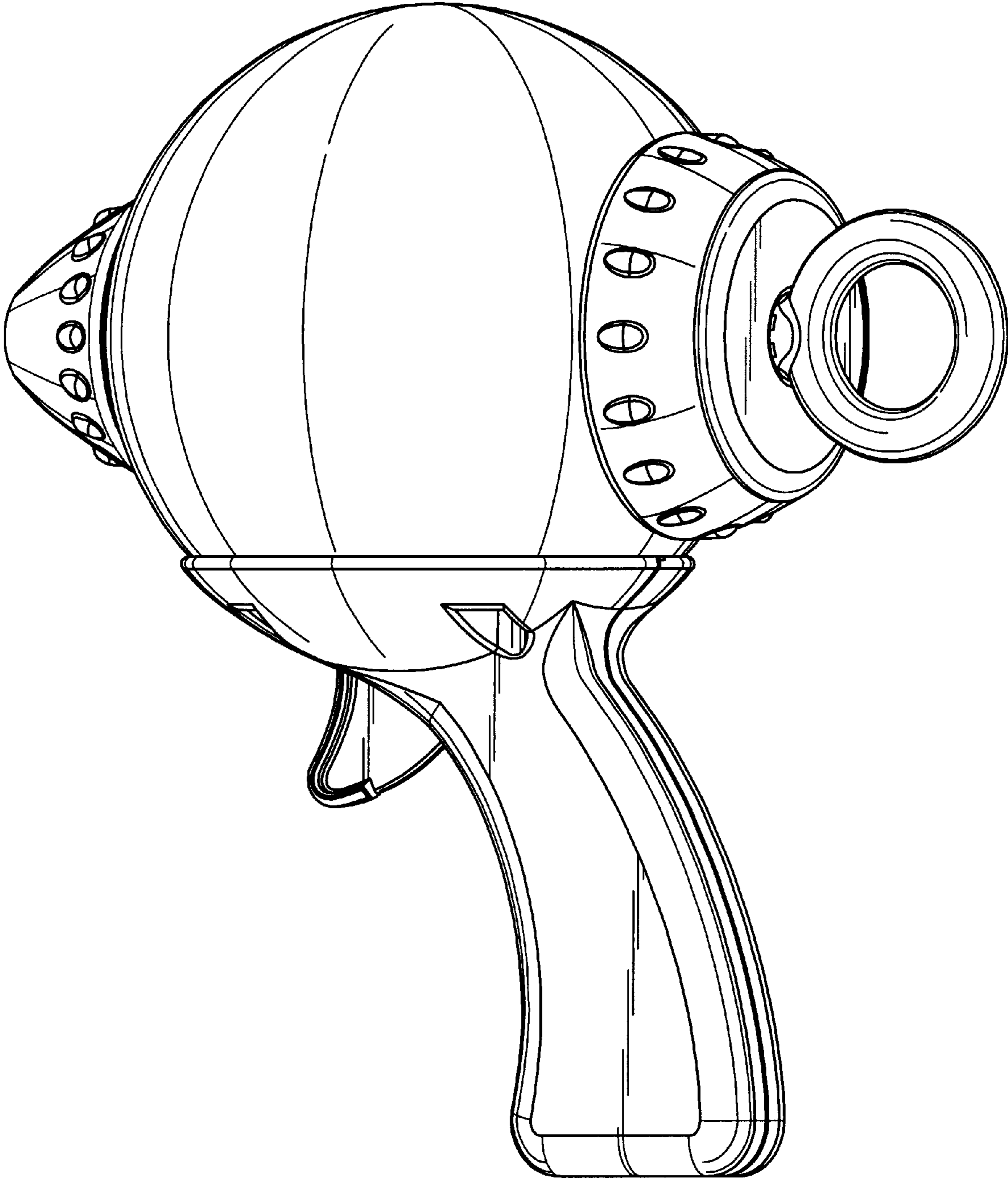


FIG. 1

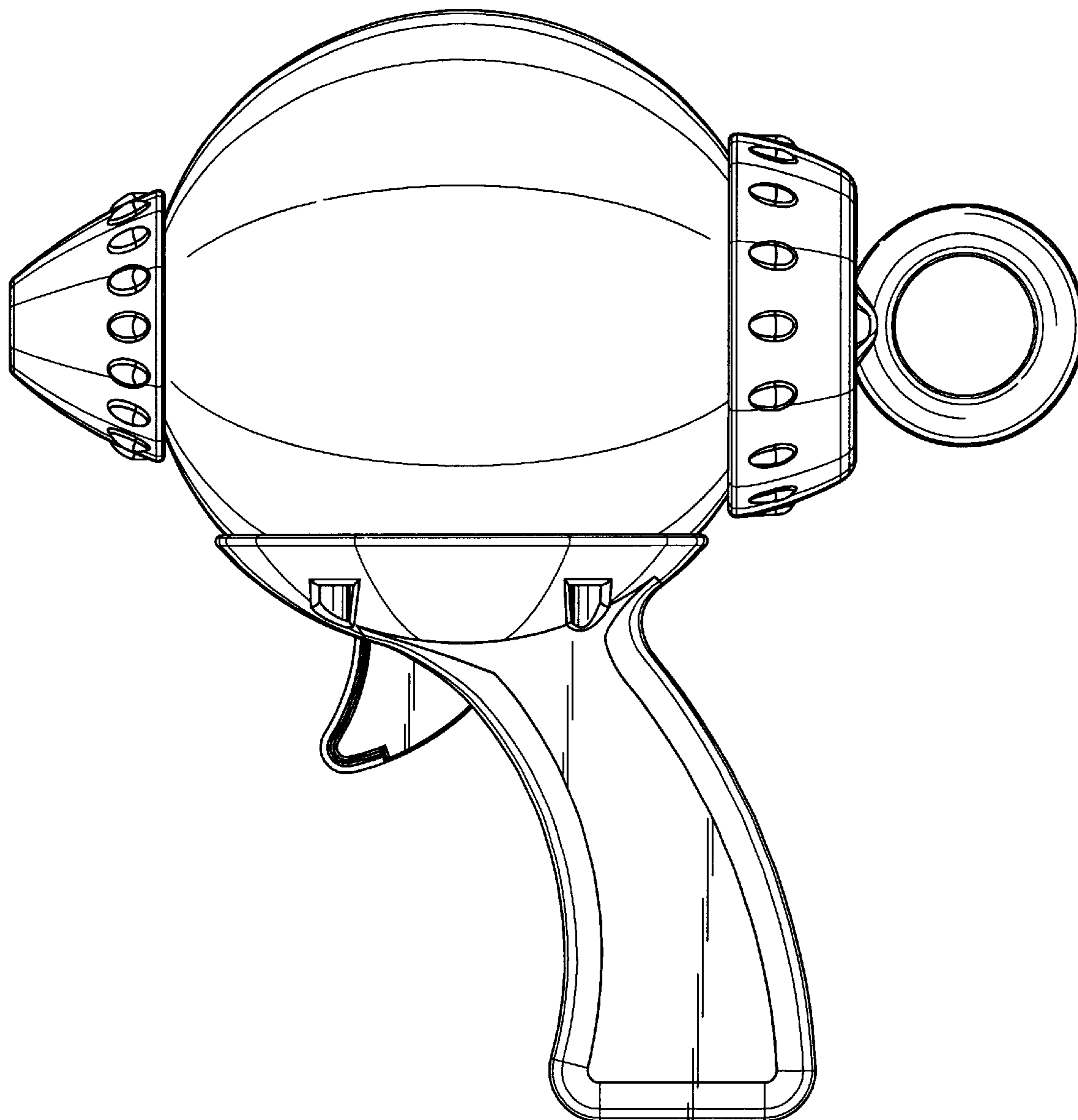


FIG. 2

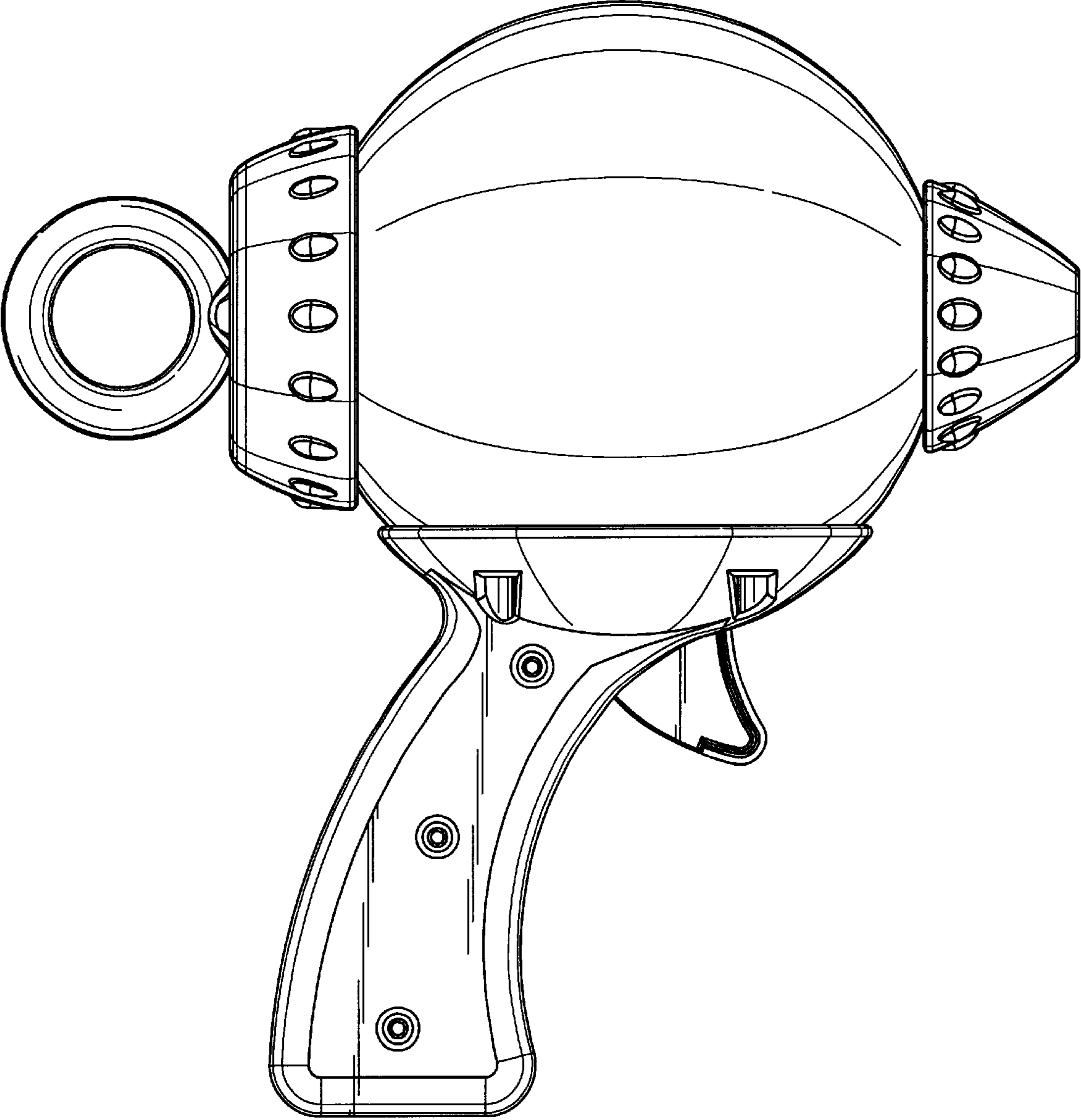


FIG. 3

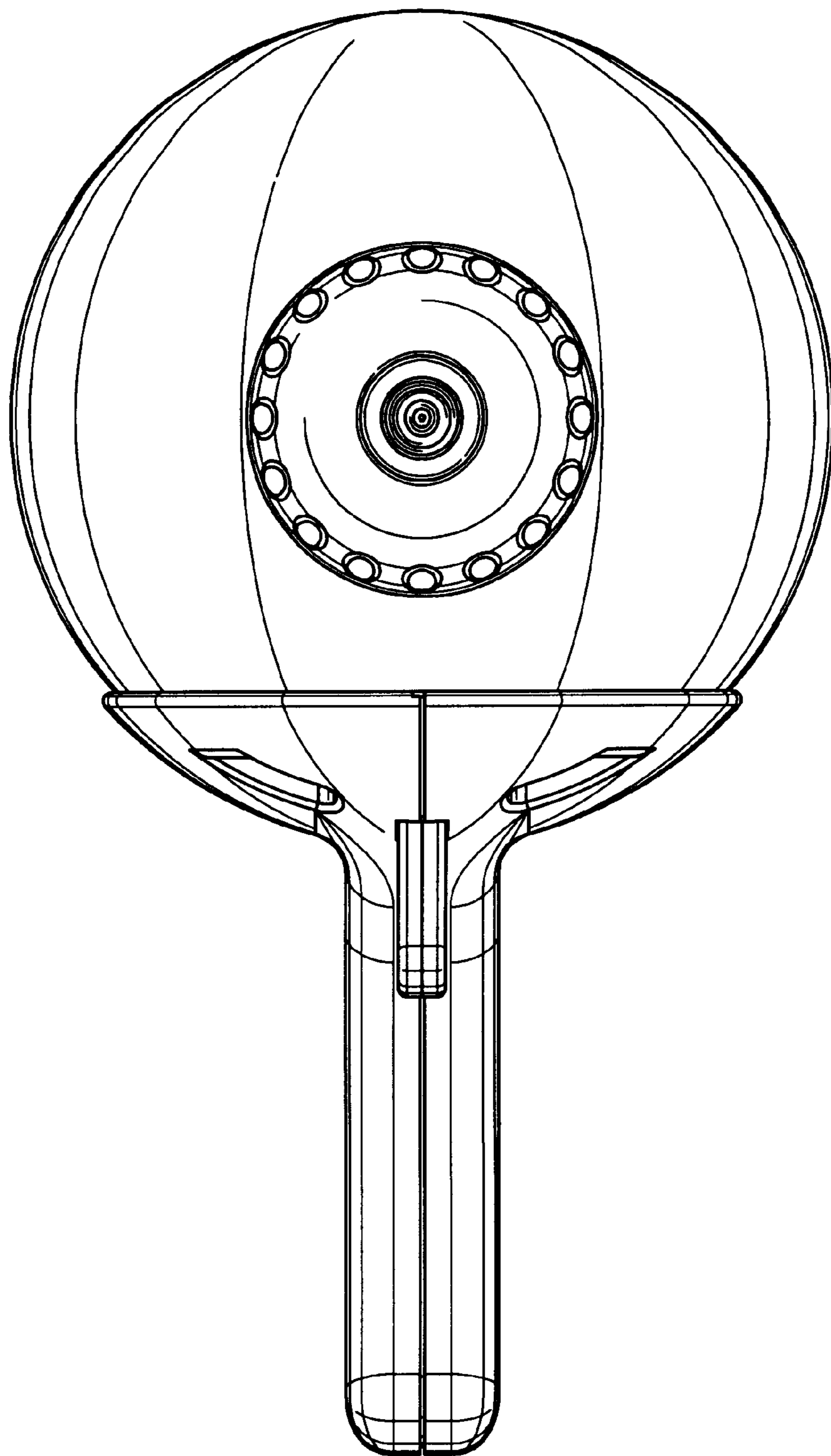


FIG. 4

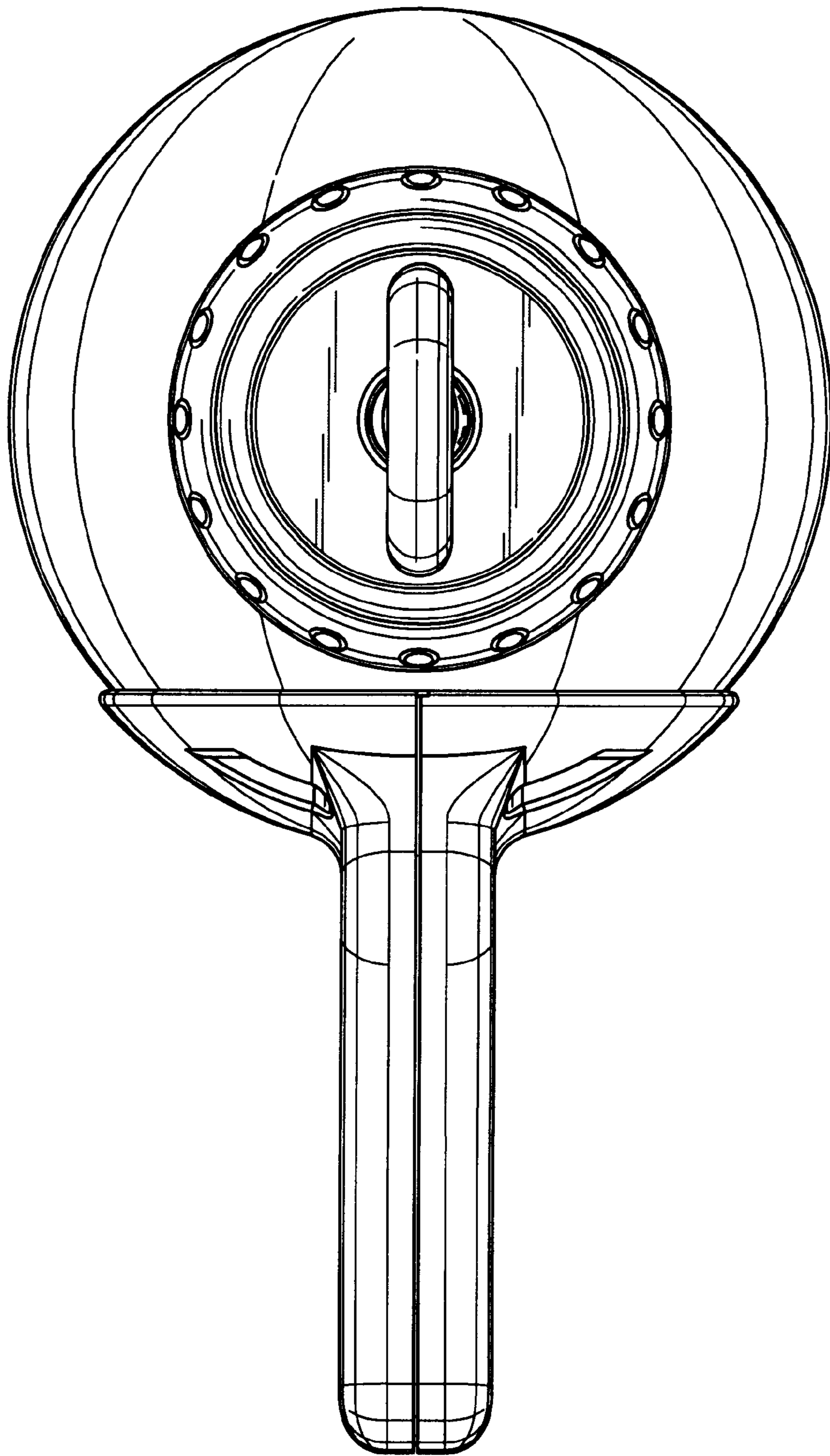


FIG. 5

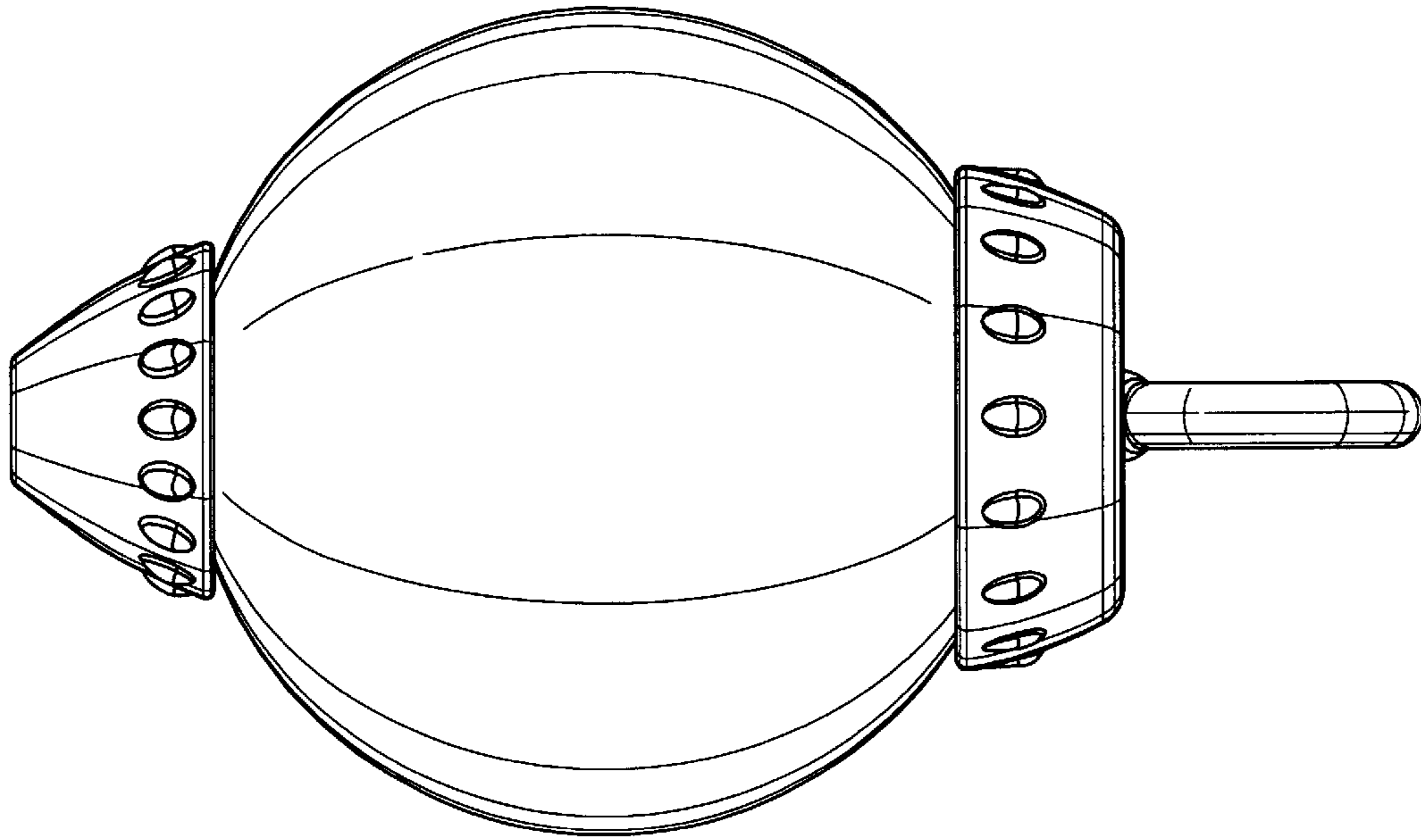


FIG. 6

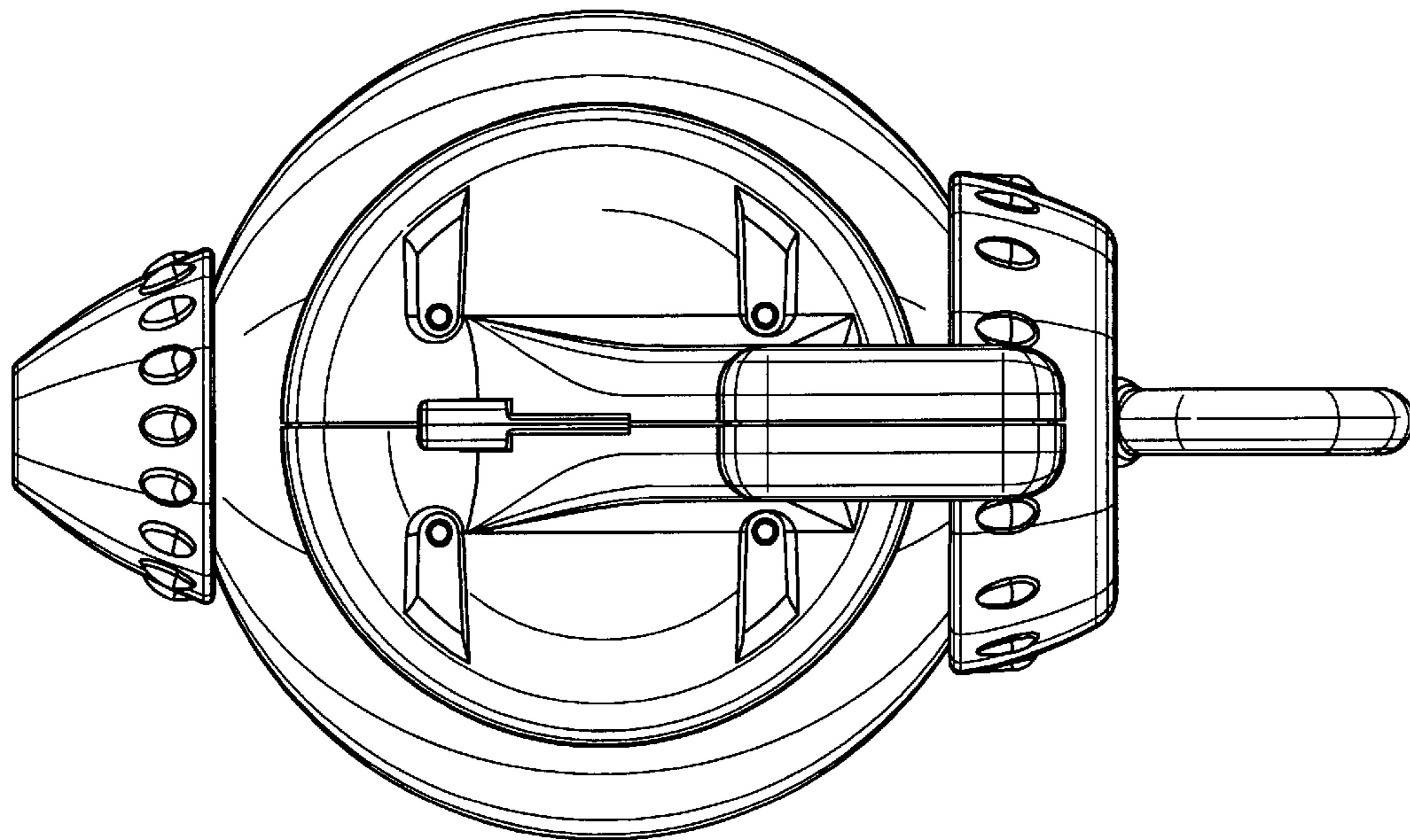


FIG. 7