



US00D527052S

(12) **United States Design Patent**
Wolff et al.

(10) **Patent No.:** **US D527,052 S**

(45) **Date of Patent:** **** Aug. 22, 2006**

(54) **WALL MOUNTED CHART HOLDER**

(75) Inventors: **Stephen H. Wolff**, New Rochelle, NY (US); **Aubrey Jones**, New Rochelle, NY (US)

(73) Assignee: **Wolff Medical Marketing and Design, LLC**, New Rochelle, NY (US)

(**) Term: **14 Years**

(21) Appl. No.: **29/217,390**

(22) Filed: **Nov. 16, 2004**

(51) **LOC (8) Cl.** **19-02**

(52) **U.S. Cl.** **D19/91**

(58) **Field of Classification Search** D6/449,
D6/475, 512, 553, 567, 573; D19/75, 78,
D19/86, 90, 91; 206/215; 211/45, 50, 72,
211/87.01, 126.16; 281/45; 312/183

See application file for complete search history.

(56) **References Cited**

U.S. PATENT DOCUMENTS

149,289	A	*	4/1874	Bryan	211/42
1,442,547	A	*	1/1923	White et al.	211/72
1,560,493	A	*	11/1925	Steinberg	211/50
D97,820	S	*	12/1935	Pelton	D6/573
D141,423	S	*	5/1945	Lewis	D6/573
D177,160	S	*	3/1956	Vernon	D19/85
D184,411	S	*	2/1959	Schoen	D14/252
D190,178	S	*	4/1961	Goodyear	D6/570
3,319,369	A	*	5/1967	Severson	40/654.01

D267,808	S	*	2/1983	Russo	D19/78
D279,745	S	*	7/1985	Kellogg	D6/517
D307,445	S	*	4/1990	Greenhut et al.	D19/78
5,000,327	A	*	3/1991	Kincheloe	211/88.01
D365,714	S	*	1/1996	Masello	D6/526
5,615,781	A	*	4/1997	Janssen	211/50
D391,990	S		3/1998	Wolff		
D395,185	S	*	6/1998	Neufeld et al.	D6/555
D444,816	S	*	7/2001	Stravitz	D19/90
D490,857	S	*	6/2004	Snell	D19/78
D510,600	S	*	10/2005	Benn	D19/90

* cited by examiner

Primary Examiner—Elizabeth A. Albert

(74) *Attorney, Agent, or Firm*—Lerner, David, Littenberg, Krumholz & Mentlik, LLP

(57) **CLAIM**

The ornamental design for a wall mounted chart holder, as shown and described.

DESCRIPTION

FIG. 1 is a top perspective view of a wall mounted chart holder, in accordance with the present invention.

FIG. 2 is a front elevational view of the wall mounted chart holder shown in FIG. 1.

FIG. 3 is a rear elevational view of the wall mounted chart holder shown in FIG. 1.

FIG. 4 is a right side elevational view of the wall mounted chart holder shown in FIG. 1; and,

FIG. 5 is a top plan view of the wall mounted chart holder shown in FIG. 1.

1 Claim, 5 Drawing Sheets

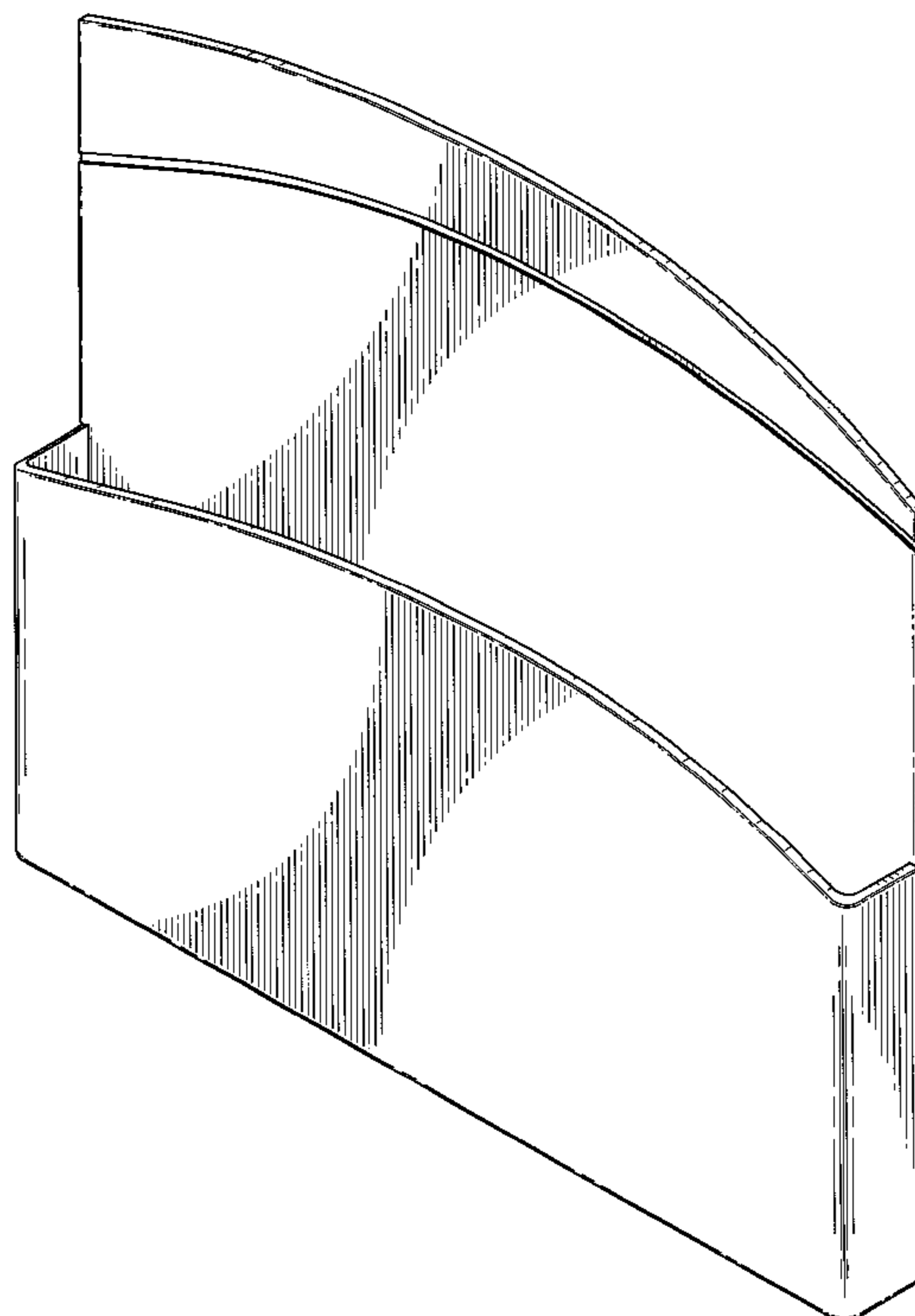


FIG. 1

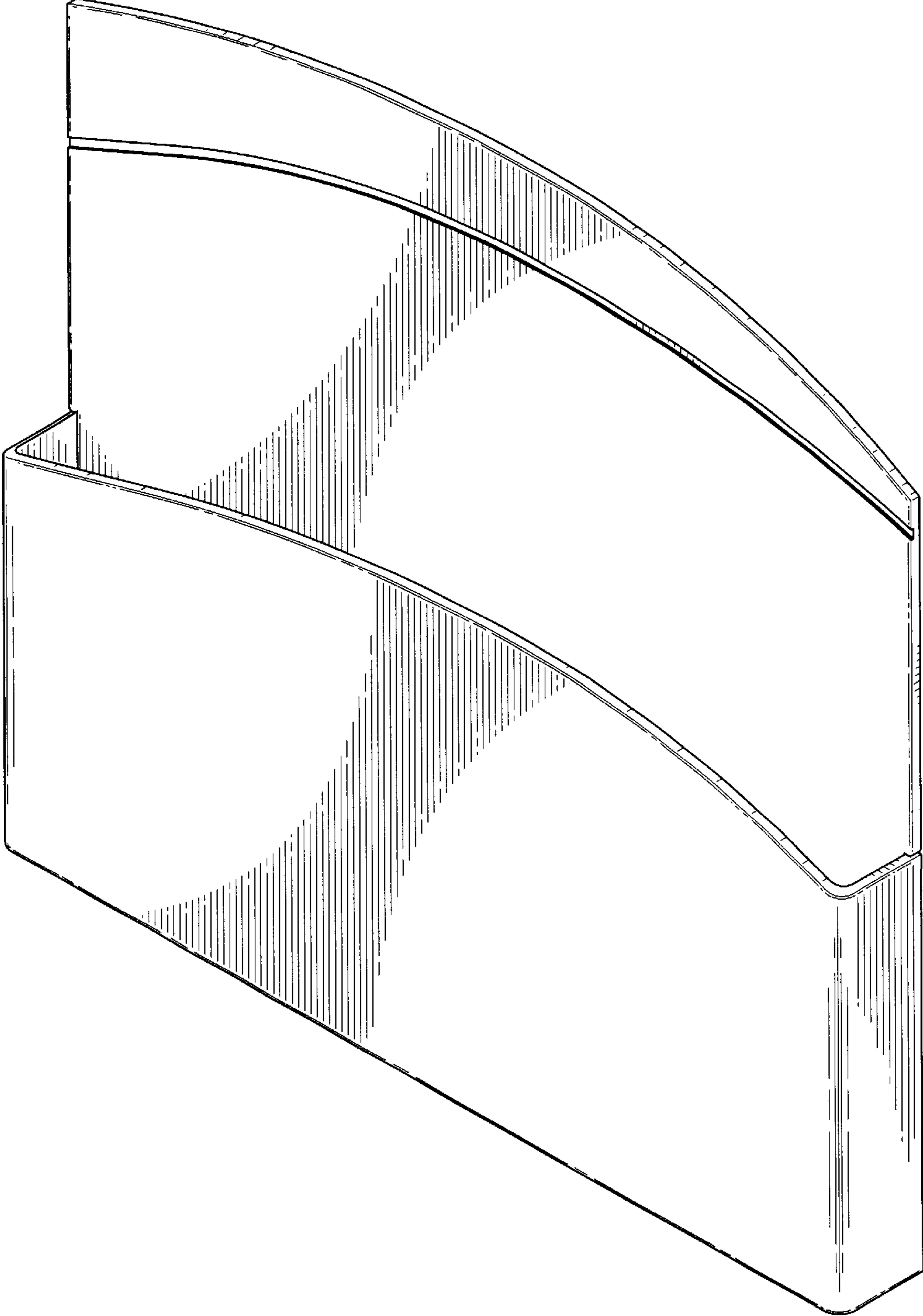


FIG. 2

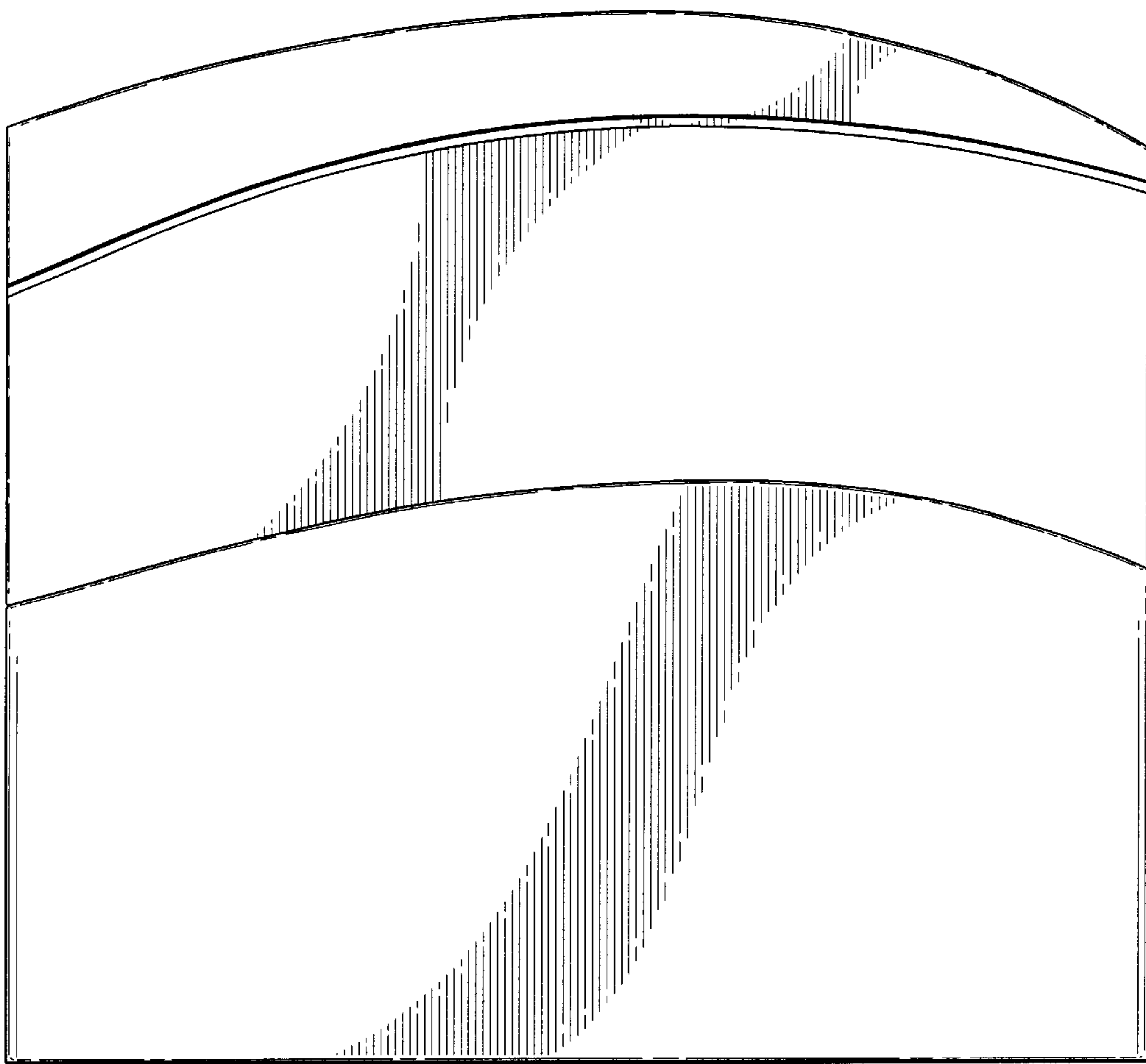


FIG. 3

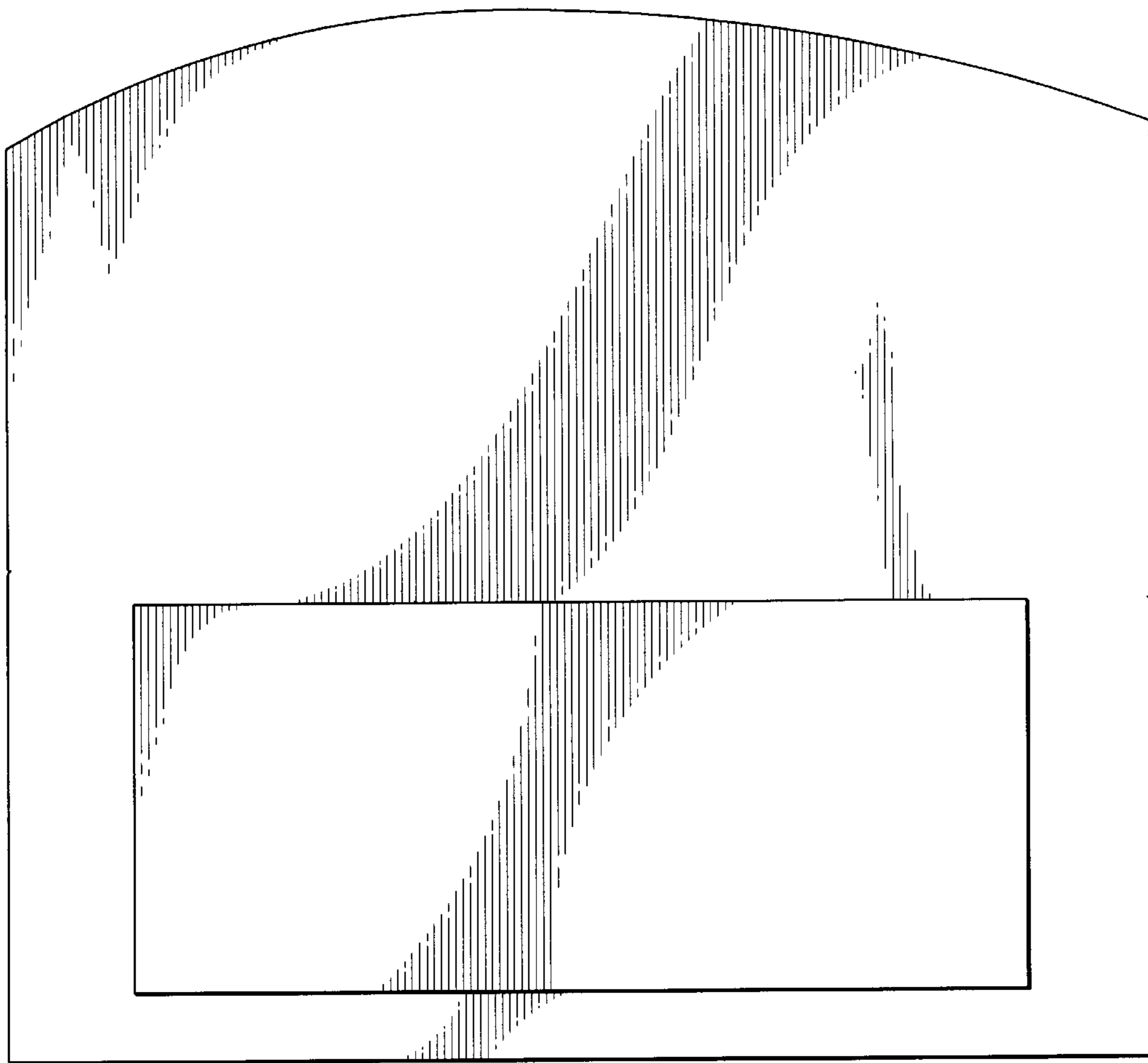


FIG. 4

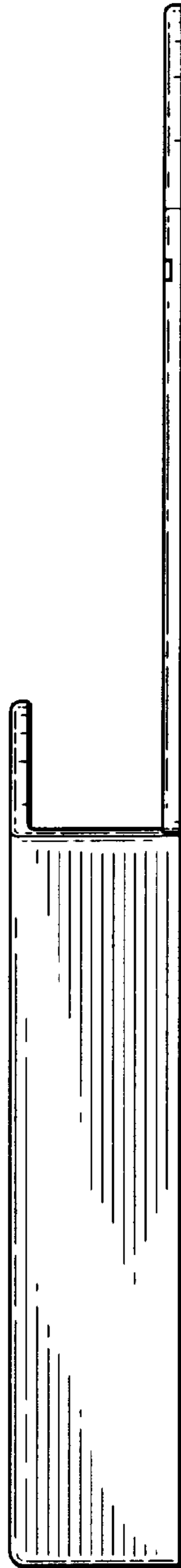


FIG. 5

